

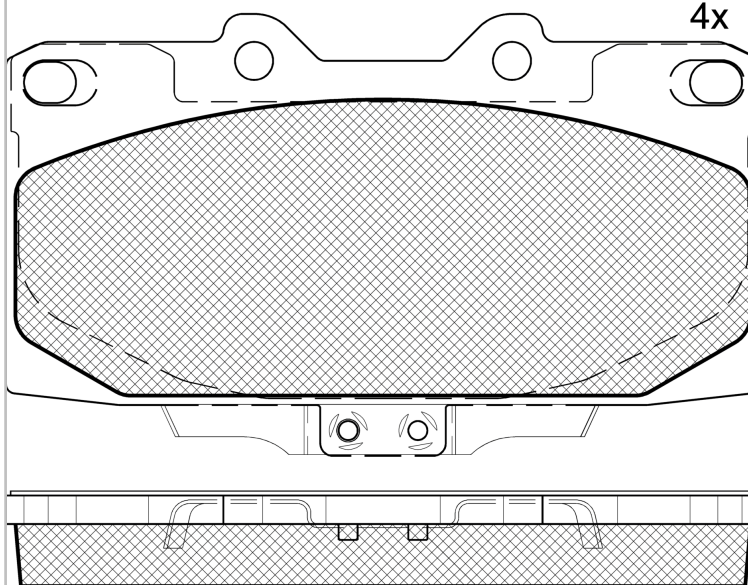
LISTA DE APLICACIONES - BUYERS GUIDE

RB1733-203



Qty: 300 Weight: 1.510

O.E.M.	MAKE
26296-FE070	SUBARU
26296-FE090	SUBARU
41060-74F90	NISSAN
41060-74F91	NISSAN
41060-74F92	NISSAN
41080-30P26	NISSAN
41080-40P27	NISSAN
D1060-74F92	NISSAN



RB1733-203

E 9 90R-01111/1105



Sumitomo

119.3x71.2x15

WVA	FMSI
21854	D647-7340

Sin Filas



Trac.	CC	Kw	CV
-------	----	----	----



Front / Rear

NISSAN

200SX / SILVIA (S14) 10.93-12.99

Coupé (Sports car-S Segment)

Model	Trac.	CC	Kw	CV	Year	Notes
2.0 i 16V (SR20DE)	RWD	1998	118	160	10.93-12.99	*
2.0 i 16V Turbo (SR20DET)	RWD	1998	147	200	10.93-12.99	*
2.0 Turbo (SR20DET)	RWD	1998	162	220	04.94-09.99	*

300ZX (Z32) 09.89-12.00

Coupé (Sports car-S Segment)

Model	Trac.	CC	Kw	CV	Year	Notes
3.0	FWD	2960	168	228	12.89-03.97	*
3.0 Twin Turbo (VG30DETT)	RWD	2960	197	268	05.90-09.95	*
3.0 Twin Turbo (VG30DETT)	RWD	2960	208	283	05.90-09.95	*

SUBARU

IMPREZA (GF) 08.92-12.00

[CAMBIADO]:Break (Compact car-C Segment)

Model	Trac.	CC	Kw	CV	Year	Notes
2.0 i Turbo AWD (GF8) (EJ20 (TURBO))	4WD	1994	155	211	03.94-12.00	*
2.0 Turbo GT AWD (GF8) (EJ205)	4WD	1994	160	218	06.98-12.00	*
2.2 GX	FWD	2212	96	131	09.98-09.00	*

IMPREZA (GFC) 01.93-12.00

Coupé (Compact car-C Segment)

Model	Trac.	CC	Kw	CV	Year	Notes
2.0 Turbo AWD (GC8) (EJ20G)	4WD	1994	155	211	12.96-12.00	*
2.0 AWD (GC8, GM8)	4WD	1994	206	280	09.98-09.00	*
2.2	FWD	2212	96	131	09.98-09.00	*
2.2	FWD	2212	96	131	09.98-09.00	*

IMPREZA (GC) 08.92-09.01

Sedán (Compact car-C Segment)

Model	Trac.	CC	Kw	CV	Year	Notes
2.0 Turbo GT AWD (GC8) (EJ20 (TURBO))	4WD	1994	155	211	03.94-12.00	*
2.0 Turbo GT AWD (GC8) (EJ205)	4WD	1994	160	218	06.98-12.00	*
2.0 AWD (GC8, GM8) (EJ205P)	4WD	1994	206	280	09.96-09.00	*

LISTA DE APLICACIONES - BUYERS GUIDE

2.2 GX	Gasolina	FWD	2212	96	131	09.98-09.00	*
IMPREZA II (GG) 10.00-				[CAMBIADO]:Break (Compact car-C Segment)			
2.0 i R AWD (GG9) (EJ20)	Gasolina	4WD	1994	118	160	12.00-06.07	*
2.0 i R AWD (GG9) (EJ204)	Gasolina	4WD	1994	118	160	12.00-06.07	*
2.0 Turbo AWD (GGA) (EJ205)	Gasolina	4WD	1994	160	218	12.00-12.05	*
2.0 WRX Turbo AWD (GGA) (EJ205)	Gasolina	4WD	1994	165	225	12.02-09.06	*
2.5 WRX AWD (GGG) (EJ255)	Gasolina	4WD	2457	169	230	09.05-12.08	*
2.5 GB270 AWD (EJ255)	Gasolina	4WD	2457	198	269	07.07-12.07	*
IMPREZA II (GD) 09.99-				Sedán (Compact car-C Segment)			
2.0 i R AWD (GD9) (EJ204)	Gasolina	4WD	1994	118	160	09.05-03.07	*
2.0 WRX Turbo AWD (GDA) (EJ205)	Gasolina	4WD	1994	160	218	12.00-12.05	*
2.0 WRX Turbo AWD (GDA) (EJ205)	Gasolina	4WD	1994	165	225	12.02-03.07	*
2.0 AWD (GDA) (EJ20 (TURBO))	Gasolina	4WD	1994	184	250	10.05-03.07	*
2.0 WRX STi AWD (GDB) (EJ207)	Gasolina	4WD	1994	195	265	11.01-07.05	*
2.5 i WRX AWD (GDG) (EJ255)	Gasolina	4WD	2457	169	230	09.05-12.08	*
IMPREZA III (GE, GV) 01.07-				Sedán (Compact car-C Segment)			
2.5 AWD (EJ255)	Gasolina	4WD	2457	200	272	01.07-12.07	*