

LISTA DE APLICACIONES - BUYERS GUIDE

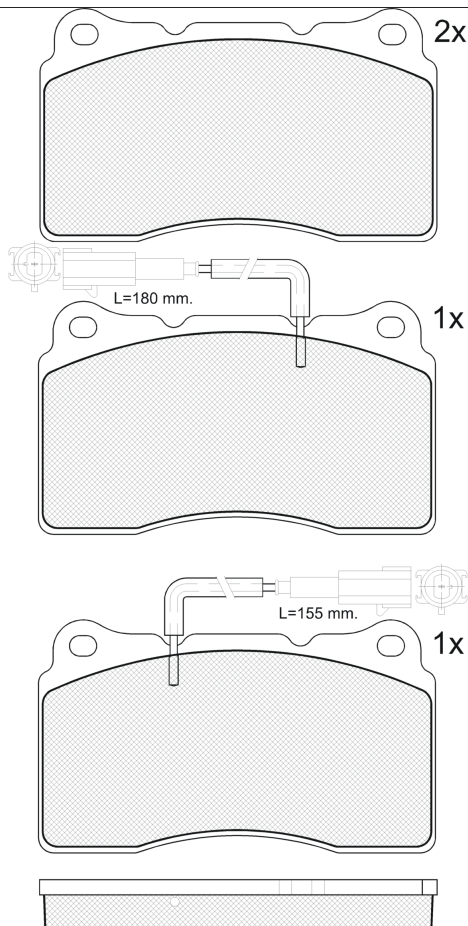
RB1730



Qty: 300

Weight: 2.220

O.E.M.	MAKE
7 736 354 5	ALFA ROMEO
7 736 451 6	ALFA ROMEO
7 736 638 9	LANCIA
980156147	MASERATI
980157007	MASERATI



RB1730

E 9 90R-01111/1139



Brembo

131.6x77.3x16

WVA	FMSI
23092	D1016-9078
23756	
23757	

Sin Filas



Trac.	CC	Kw	CV		
Front / Rear					

ALFA ROMEO

	Sedán (Compact executive car-D Segment)			
159 (939_) 06.05-12.12				
1.8 Tbi (939.AXN1B) (939 B1.000)	Gasolina	FWD	1742	147 200 05.09-12.12 *
1.8 MPI (939AXL1A) (939 A4.000)	Gasolina	FWD	1796	103 140 06.05-11.11 *
2.2 JTS (939AXB1B, 939AXB11) (939 A5.000)	Gasolina	FWD	2198	136 185 09.05-11.11 *
3.2 JTS (939AXG2B) (939 A.000)	Gasolina	FWD	3195	191 260 01.08-11.11 *
3.2 JTS Q4 (939AXH1B, 939AXG22) (939 A.000)	Gasolina	4WD	3195	191 260 12.05-11.11 *
1.9 JTDM 16V (939AXC1B, 939AXC12) (939 A2.000)	Diesel	FWD	1910	110 150 09.05-11.11 *
2.0 JTDM (939AXR1B) (939 B4.000)	Diesel	FWD	1956	100 136 06.10-11.11 *
2.0 JTDM (939AXQ1B) (844 A2.000)	Diesel	FWD	1956	120 163 05.09-11.11 *
2.4 JTDM (939AXD12, 939AXD1B) (939 A3.000)	Diesel	FWD	2387	147 200 09.05-11.11 *
2.4 JTDM (939AXD) (939 A9.000)	Diesel	FWD	2387	154 210 07.07-11.11 *
2.4 JTDM Q4 (939AXMB2) (939 A9.000)	Diesel	4WD	2387	154 210 05.07-11.11 *

	[CAMBIADO]:Break (Compact executive car-D Segment)			
159 Sport Wagon (939_) 06.05-12.12				
1.8 Tbi (939BXN1B) (939 B1.000)	Gasolina	FWD	1742	147 200 07.09-11.11 *
1.8 MPI (939BXL1A) (939 A4.000)	Gasolina	FWD	1796	103 140 06.05-11.11 *
2.2 JTS (939BXB1B, 939BXB11) (939 A5.000)	Gasolina	FWD	2198	136 185 03.06-11.11 *
3.2 JTS (939BXH1B) (939 A.000)	Gasolina	FWD	3195	191 260 02.08-11.11 *
3.2 JTS Q4 (939BXG2B, 939BXG22) (939 A.000)	Gasolina	4WD	3195	191 260 03.06-11.11 *
1.9 JTDM 16V (939BXC1B, 939BXC12) (939 A2.000)	Diesel	FWD	1910	110 150 03.06-11.11 *
2.0 JTDM (939BXR1B) (939 B4.000)	Diesel	FWD	1956	100 136 06.10-11.11 *
2.0 JTDM (939BXQ1B) (844 A2.000)	Diesel	FWD	1956	120 163 05.09-11.11 *
2.4 JTDM (939BXD1B, 939BXD12) (939 A3.000)	Diesel	FWD	2387	147 200 03.06-11.11 *

LISTA DE APLICACIONES - BUYERS GUIDE

2.4 JTDM (939.BXM1B) (939 A9.000)		Diesel	FWD	2387	154	210	05.07-12.12	*	
2.4 JTDM Q4 (939BXM2B) (939 A9.000)		Diesel	4WD	2387	154	210	05.07-11.11	*	
							[CAMBIADO]:Fastback (Sports car-S Segment)		
BRERA (939_) 01.06-05.11									
1.8 Tbi (939DXN1B) (939 B1.000)		Gasolina	FWD	1742	147	200	05.09-06.10	*	
2.2 JTS (939.DXB11) (939 A5.000)		Gasolina	FWD	2198	136	185	01.06-05.11	*	
3.2 JTS (939DXG2B, 939DXG1B) (939 A.000)		Gasolina	FWD	3195	191	260	03.08-06.10	*	
3.2 JTS Q4 (939.DXG22) (939 A.000)		Gasolina	4WD	3195	191	260	01.06-05.11	*	
2.0 JTDM (939DXQ1B) (844 A2.000)		Diesel	FWD	1956	120	163	03.08-06.10	*	
2.0 JTDM (939DXP1B) (939 B3.000)		Diesel	FWD	1956	125	170	05.09-06.10	*	
2.4 JTDM 20V (939DXD1B, 939DXM1B) (939 A3.000)		Diesel	FWD	2387	147	200	01.06-03.11	*	
2.4 JTDM 20V (939DXD1B, 939DXM1B) (939 A9.000)		Diesel	FWD	2387	154	210	05.07-03.11	*	
							[CAMBIADO]:Fastback (Compact car-C Segment)		
GIULIETTA III (940_) 04.10-									
1.4 TB (940FXN1A, 940FXU1A) (940 B1.000)		Gasolina	FWD	1368	77	105	04.11-02.17	*	
1.4 TB (940FXN1A, 940FXU1A) (940 B8.000)		Gasolina	FWD	1368	77	105	04.11-02.17	*	
1.4 TB (940FXF1A) (940 A6.000)		Gasolina	FWD	1368	85	116	04.10-02.16	*	
1.4 TB (940FXA1A, 940FXT1A) (198 A4.000)		Gasolina	FWD	1368	88	120	04.10-12.20	*	
1.4 TB (940FXA1A, 940FXT1A) (940 B7.000)		Gasolina	FWD	1368	88	120	04.10-12.20	*	
1.4 TB (940.FYA1A) (940 A2.000)		Gasolina	FWD	1368	110	150	09.14-10.18	*	
1.4 TB (940.FYA1A) (940 C2.000)		Gasolina	FWD	1368	110	150	09.14-10.18	*	
1.4 TB (940FXG1A) (955 A8.000)		Gasolina	FWD	1368	120	163	04.10-10.18	*	
1.4 TB (940FXB1A, 940FXB11) (940 A2.000)		Gasolina	FWD	1368	125	170	04.10-10.18	*	
1.8 Tbi (940FXC1A) (940 A1.000)		Gasolina	FWD	1742	169	230	04.10-09.13	*	
1.8 Tbi (940FXC1A) (940 A1.000)		Gasolina	FWD	1742	173	235	04.10-02.16	*	
1.8 Tbi (940FXR11) (940 B2.000)		Gasolina	FWD	1742	177	241	09.13-10.18	*	
1.8 Tbi (940FXR11) (960 A1.000)		Gasolina	FWD	1742	177	241	09.13-10.18	*	
1.4 BiFuel (940FXA1A, 940FXT1A) (198 A4.000)		Gasol./Gas (LPG)	FWD	1368	88	120	12.11-02.17	*	
1.6 JTDM (940FXD1A) (940 A3.000)		Diesel	FWD	1598	77	105	04.10-02.16	*	
1.6 JTDM (940FYE11, 940FYE1A) (940 C5.000)		Diesel	FWD	1598	85	116	09.15-10.18	*	
1.6 JTDM (940FYB11, 940FYB1A, 940FYF11, 940FYF1A) (552 80 444)		Diesel	FWD	1598	88	120	02.15-12.20	*	
1.6 JTDM (940FYB11, 940FYB1A, 940FYF11, 940FYF1A) (940 C1.000)		Diesel	FWD	1598	88	120	02.15-12.20	*	
1.6 JTDM (940FYB11, 940FYB1A, 940FYF11, 940FYF1A) (940 C5.000)		Diesel	FWD	1598	88	120	02.15-12.20	*	
2.0 JTDM (940FXM1A, 940FXS1A, 940FYD1A) (940 A8.000)		Diesel	FWD	1956	100	136	04.10-02.16	*	
2.0 JTDM (940FXM1A, 940FXS1A, 940FYD1A) (940 B6.000)		Diesel	FWD	1956	100	136	04.10-02.16	*	
2.0 JTDM (940FXM1A, 940FXS1A, 940FYD1A) (940 C4.000)		Diesel	FWD	1956	100	136	04.10-02.16	*	
2.0 JTDM (940.FXL1A) (940 A5.000)		Diesel	FWD	1956	103	140	04.10-12.20	*	
2.0 JTDM (940.FXL1A) (940 C3.000)		Diesel	FWD	1956	103	140	04.10-12.20	*	
2.0 JTDM (940FXQ1A, 940FYC1A) (940 B5.000)		Diesel	FWD	1956	110	150	08.13-10.18	*	
2.0 JTDM (940FXQ1A, 940FYC1A) (940 C3.000)		Diesel	FWD	1956	110	150	08.13-10.18	*	
2.0 JTDM (940FXH1A, 940FXH11, 940FXZ11, 940FXZ1A) (940 A7.000)		Diesel	FWD	1956	120	163	04.10-10.18	*	
2.0 JTDM (940FXH1A, 940FXH11, 940FXZ11, 940FXZ1A) (940 B9.000)		Diesel	FWD	1956	120	163	04.10-10.18	*	
2.0 JTDM (940FXE1A, 940FXG11) (552 83 099)		Diesel	FWD	1956	125	170	04.10-12.20	*	
2.0 JTDM (940FXE1A, 940FXG11) (940 A4.000)		Diesel	FWD	1956	125	170	04.10-12.20	*	
2.0 JTDM (940FXE1A, 940FXG11) (940 B4.000)		Diesel	FWD	1956	125	170	04.10-12.20	*	
2.0 JTDM (940FXV11) (940 B4.000)		Diesel	FWD	1956	129	175	11.13-10.18	*	

LISTA DE APLICACIONES - BUYERS GUIDE

					Furgón/hatchback (Compact car-C Segment)				
GIULIETTA III (940_) 04.11-									
1.4 (940FXA1A) (198 A4.000)		Gasolina	FWD	1368	88	120	04.11-02.16	*	
1.4 (940FXB1A) (940 A2.000)		Gasolina	FWD	1368	125	170	04.11-12.20	*	
1.8 (940FXC1A) (940 A1.000)		Gasolina	FWD	1742	173	235	04.11-02.16	*	
1.6 JTDM (940FXD1A) (940 A3.000)		Diesel	FWD	1598	77	105	04.11-02.16	*	
2.0 JTDM (940FXL1A) (940 A5.000)		Diesel	FWD	1956	103	140	07.13-02.16	*	
2.0 JTDM (940FXQ1A) (940 B5.000)		Diesel	FWD	1956	110	150	08.13-02.16	*	
2.0 JTDM (940FXE1A) (940 A4.000)		Diesel	FWD	1956	125	170	04.11-02.16	*	
2.0 JTDM (940FXV11) (940 B4.000)		Diesel	FWD	1956	129	175	05.15-12.20	*	
SPIDER V (939_) 03.06-03.11					Cabrio (Sports car-S Segment)				
1.8 TBi (939DXN1B) (939 B1.000)		Gasolina	FWD	1742	147	200	05.09-03.11	*	
2.2 JTS (939EXB1B, 939EXB11) (939 A5.000)		Gasolina	FWD	2198	136	185	03.06-03.11	*	
3.2 JTS (939EXG2B) (939 A.000)		Gasolina	FWD	3195	191	260	03.08-03.11	*	
3.2 JTS Q4 (939EXG2B, 939EXG22) (939 A.000)		Gasolina	4WD	3195	191	260	03.06-03.11	*	
2.0 JTDM (939DXQ1B) (844 A2.000)		Diesel	FWD	1956	120	163	04.09-03.11	*	
2.0 JTDM (939DXP1B, 939EXP1B) (939 B3.000)		Diesel	FWD	1956	125	170	05.09-06.10	*	
2.4 JTDM (939EXD1B, 939EXD12) (939 A3.000)		Diesel	FWD	2387	147	200	03.06-03.11	*	
2.4 JTDM (939DXM1B, 939EXM1B) (939 A3.000)		Diesel	FWD	2387	154	210	03.08-03.11	*	
LANCIA									
					[CAMBIADO]:Fastback (Compact car-C Segment)				
DELTA III (844_) 08.08-08.14									
1.8 (844.AXH12) (939 B1.000)		Gasolina	FWD	1742	147	200	01.09-08.14	*	
MASERATI									
Ghibli III (M157) 08.13-					Sedán (Sports car-S Segment)				
3.0 (F160AM)		Gasolina	RWD	2979	243	330	08.13-	*	
3.0 (M 156 D)		Gasolina	RWD	2979	257	350	08.13-	*	
3.0S (F160AM)		Gasolina	RWD	2979	301	409	08.13-	*	
3.0S (M 156 B)		Gasolina	RWD	2979	301	409	08.13-	*	
3.0 S Q4 (M 156 B)		Gasolina	4WD	2979	301	409	08.13-	*	
3.0S (M 156 B)		Gasolina	RWD	2979	316	430	07.17-	*	
3.0 D (M 15746 D)		Diesel	RWD	2987	184	250	08.13-	*	
3.0 D (A630HP)		Diesel	RWD	2987	202	275	08.13-	*	
QUATTROPORTE VI 11.12-					Sedán (Sports car-S Segment)				
3.0		Gasolina	RWD	2979	243	330	03.13-	*	
3.0 (M 156 D)		Gasolina	RWD	2979	257	350	10.16-	*	
3.0 D (M 15746 D)		Diesel	RWD	2987	184	250	09.13-	*	
3.0 D (M 15746 D)		Diesel	RWD	2987	202	275	09.13-	*	