

LISTA DE APLICACIONES - BUYERS GUIDE

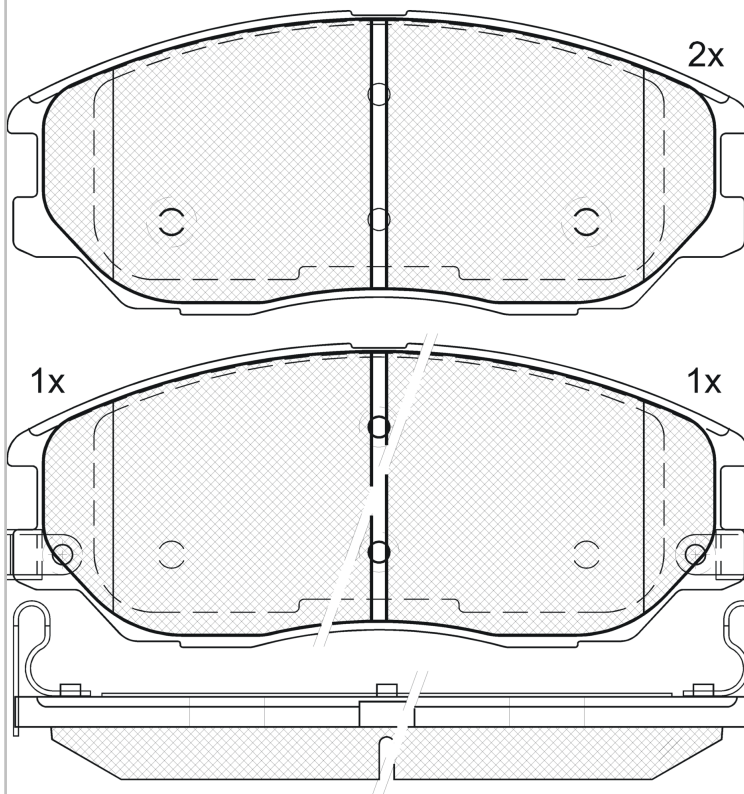
RB1714



Qty: 300

Weight: 2.080

O.E.M.	MAKE
48130-08BA0	SSANGYONG
4813A-21100	SSANGYONG
58101-39A60	HYUNDAI
58101-3BA02	HYUNDAI
58101-3BA10	HYUNDAI
58101-3BA20	HYUNDAI
58101-3FA00	KIA
58101-3FA10	KIA
58101-BA10	HYUNDAI
58101-H1A80	HYUNDAI



RB1714

E 9 90R-01111/1277



Mando

148.8x60.8x17.2

WVA	FMSI
23725	D1013-7917
23726	
23727	
23728	
24167	

Sin Filas



	Trac.	CC	Kw	CV			Front / Rear
--	-------	----	----	----	--	--	--------------

HYUNDAI

EQUUS / CENTENNIAL (JS) 10.99-03.09

Sedán (Luxury car-F Segment)

3.5 (G6CU)		Gasolina	FWD	3497	155	211	10.99-03.09	*
4.5 (8A80)		Gasolina	FWD	4498	195	265	10.99-09.03	*

TERRACAN (HP) 06.01-03.08

Furgoneta/SUV (Compact SUV-J Segment)

3.5 i V6 4WD (G6CU)		Gasolina	4WD	3497	143	194	12.01-12.06	*
3.5 i V6 4WD (G6CU)		Gasolina	4WD	3497	147	200	12.01-12.06	*
2.5 D (D4BH)		Diesel	RWD	2476	74	101	06.01-10.03	*
2.5 TD 4WD (D4BH)		Diesel	4WD	2476	74	101	12.01-12.06	*
2.9 CRDi 4WD (J3(CRDI))		Diesel	4WD	2902	110	150	11.01-12.06	*
2.9 CRDi 4WD (J3(CRDI))		Diesel	4WD	2902	120	163	11.03-12.06	*

TERRACAN (HP) 02.01-03.08

SUV (Compact SUV-J Segment)

3.5 i V6 4WD (G6CU)		Gasolina	4WD	3497	143	194	12.01-12.06	*
2.5 D (D4BH)		Diesel	RWD	2476	74	101	06.01-10.03	*
2.5 TD (D4BH)		Diesel	4WD	2476	74	101	12.01-12.06	*
2.5 D		Diesel	RWD	2477	59	80	06.01-10.03	*
2.9 CRDi 4WD (J3(CRDI))		Diesel	4WD	2902	110	150	12.01-12.06	*
2.9 CRDi 4WD (J3(CRDI))		Diesel	4WD	2902	120	163	11.03-12.06	*

XG / GRANDEUR (XG) 12.98-12.05

Sedán (Executive car-E Segment)

350 (G6CU)		Gasolina	FWD	3497	145	197	10.02-12.05	*
------------	--	----------	-----	------	-----	-----	-------------	---

KIA

OPIRUS / AMANTI (GH) 06.03-

Sedán (Luxury car-F Segment)

2.7		Gasolina	FWD	2656	120	163	10.03-09.06	*
-----	--	----------	-----	------	-----	-----	-------------	---

LISTA DE APLICACIONES - BUYERS GUIDE

2.7		Gasolina	FWD	2656	121	165	10.06-02.12	*
2.7		Gasolina	FWD	2656	139	189	10.06-02.12	*
3.0 GH300		Gasolina	FWD	2972	138	188	09.03-09.06	*
3.3		Gasolina	FWD	3342	173	235	10.06-12.07	*
3.5 V6 24V		Gasolina	FWD	3495	143	195	06.03-	*
3.5 V6 24V		Gasolina	FWD	3495	143	195	06.03-	*
3.5 (G6CU)		Gasolina	FWD	3497	149	203	09.03-12.06	*
3.8 V6 (G6DA)		Gasolina	FWD	3778	196	267	10.06-10.12	*
SSANGYONG								
ACTYON SPORTS 01.12-					Pick-up (Compact SUV-J Segment)			
Xdi (D20DTR)		Diesel	4WD	1998	110	150	01.15-	*
2.0 Xdi (D20DTR)		Diesel	RWD	1998	114	155	01.12-	*
2.0 Xdi 4WD (D20DTR)		Diesel	4WD	1998	114	155	01.12-	*
2.2 Xdi (D22DTR)		Diesel	RWD	2157	131	178	07.15-	*
2.2 Xdi 4WD (D22DTR)		Diesel	4WD	2157	131	178	07.15-	*
ACTYON SPORTS (QJ) 11.05-					Pick-up (Pick-Up Truck)			
2.0 Xdi (D20DTR)		Diesel	RWD	1998	114	155	09.11-	*
2.0 Xdi 4WD (D20DTR)		Diesel	4WD	1998	114	155	09.11-	*
KYRON 05.05-					SUV (Compact SUV-J Segment)			
2.3 (M 161.970)		Gasolina	RWD	2295	110	150	01.10-12.14	*
3.2 M320 4x4 (G32D)		Gasolina	4WD	3199	162	220	03.06-12.14	*
2.0 Xdi (D20DT)		Diesel	RWD	1998	100	136	01.10-12.14	*
2.0 Xdi 4x4 (D20DT)		Diesel	4WD	1998	100	136	01.10-12.14	*
2.0 Xdi (D20DT)		Diesel	RWD	1998	104	141	05.05-12.14	*
2.0 Xdi 4x4 (D20DT)		Diesel	4WD	1998	104	141	05.05-12.14	*
2.7 Xdi 4x4 (D27DT)		Diesel	4WD	2696	120	163	03.06-12.14	*
2.7 Xdi 4x4 (D27DT)		Diesel	4WD	2696	121	165	05.05-12.14	*
REXTON / Rexton II 04.02-					Furgoneta/SUV (Executive SUV-J Segment)			
RX270 XDi 4x4		Diesel	4WD	2696	118	160	03.11-04.13	*
RX270 XDi 4x4		Diesel	4WD	2696	132	179	03.11-04.13	*
REXTON / Rexton II (GAB_) 04.02-					SUV (Executive SUV-J Segment)			
2.3 RX230 4x4 (G23D)		Gasolina	4WD	2295	110	150	05.02-08.06	*
2.8 RX280 4x4		Gasolina	4WD	2797	142	193	03.03-	*
3.2 RX320 4x4 (G32D)		Gasolina	4WD	3199	162	220	04.02-	*
2.0 TD		Diesel	RWD	1998	101	137	01.11-	*
2.7 Xdi 4x4 (D27DT)		Diesel	4WD	2696	118	160	03.11-04.13	*
2.7 Xdi (D27DT)		Diesel	4WD	2696	120	163	08.04-	*
2.7 Xdi 4x4 (D27DT)		Diesel	4WD	2696	121	165	05.04-05.12	*
2.7 CRDi 4x4 (D27DT)		Diesel	4WD	2696	130	176	12.03-12.09	*
2.7 Xdi Turbo 4x4 (D27DTP)		Diesel	4WD	2696	132	180	03.08-	*
2.7 D 4x4 (D27DTP)		Diesel	4WD	2696	137	186	06.06-	*
2.9 TD		Diesel	4WD	2874	88	120	04.02-08.06	*
REXTON W / REXTON 07.12-					Furgoneta/SUV (Executive SUV-J Segment)			
e-XDi		Diesel	RWD	2157	131	178	07.15-	*
e-XDi A las 4 ruedas		Diesel	4WD	2157	131	178	07.15-	*
REXTON W / REXTON 07.12-					SUV (Executive SUV-J Segment)			
2.0 Xdi (D20DTR)		Diesel	RWD	1998	110	150	07.13-11.15	*
2.0 Xdi A las 4 ruedas (D20DTR)		Diesel	4WD	1998	110	150	07.13-11.15	*

LISTA DE APLICACIONES - BUYERS GUIDE

2.0 Xdi (D20DTR)		Diesel	RWD	1998	114	155	07.12-11.15	*	
2.0 Xdi A las 4 ruedas (D20DTR)		Diesel	4WD	1998	114	155	07.12-11.15	*	
2.2 Xdi		Diesel	RWD	2157	131	178	07.15-06.17	*	
2.2 Xdi A las 4 ruedas		Diesel	4WD	2157	131	178	07.15-06.17	*	
2.2 Xdi		Diesel	FWD	2157	133	181	06.17-	*	
2.7 Xdi A las 4 ruedas (D27DT)		Diesel	4WD	2696	121	165	07.12-06.17	*	
2.7 Xdi A las 4 ruedas (D27DTP)		Diesel	4WD	2696	137	186	10.12-06.17	*	
RODIUS II / STAVIC (CA1) 06.13-							Furgoneta/SUV (Large MPV-M1 Segment)		
e-XDi		Diesel	RWD	2157	131	178	07.15-	*	
e-XDi 4WD		Diesel	4WD	2157	131	178	07.15-	*	
RODIUS II / STAVIC 06.13-							MPV (Large MPV-M1 Segment)		
3.2		Gasolina	RWD	3199	162	220	07.13-	*	
3.2 4WD (G32D)		Gasolina	4WD	3199	162	220	07.13-	*	
2.0 Xdi (D20DTR)		Diesel	RWD	1998	110	150	06.13-	*	
2.0 Xdi (D20DTR)		Diesel	RWD	1998	114	155	07.13-	*	
2.0 Xdi 4WD (D20DTR)		Diesel	4WD	1998	114	155	07.13-	*	
2.2 Xdi		Diesel	RWD	2157	131	178	07.15-	*	
2.2 Xdi 4WD		Diesel	4WD	2157	131	178	07.15-	*	
RODIUS / STAVIC 02.05-12.14							MPV (Large MPV-M1 Segment)		
3.2 (G32D)		Gasolina	RWD	3199	162	220	05.05-	*	
3.2 4WD (G32D)		Gasolina	4WD	3199	162	220	07.07-	*	
2.7 Xdi (D27DT)		Diesel	RWD	2696	120	163	05.05-	*	
2.7 Xdi 4WD (D27DT)		Diesel	4WD	2696	120	163	05.05-	*	
2.7 Xdi (D27DT)		Diesel	RWD	2696	121	165	05.05-	*	
2.7 Xdi 4WD (D27DT)		Diesel	4WD	2696	121	165	05.05-12.12	*	
STAVIC 02.05-							MPV (Compact SUV-J Segment)		
3.2 4x4		Gasolina	4WD	3199	162	220	02.05-	*	
2.0 200 XDi		Diesel	RWD	1998	100	136	06.13-	*	
2.7 270 sXDi (D27DT)		Diesel	RWD	2696	121	165	02.05-12.12	*	
2.7 270 sXDi 4x4 (D27DT)		Diesel	4WD	2696	121	165	02.05-12.12	*	
TURISMO 08.13-							MPV (Large MPV-M1 Segment)		
2.0 D		Diesel	RWD	1998	114	155	08.13-	*	
2.0 D		Diesel	RWD	1998	114	155	08.13-	*	