

LISTA DE APLICACIONES - BUYERS GUIDE

RB1699

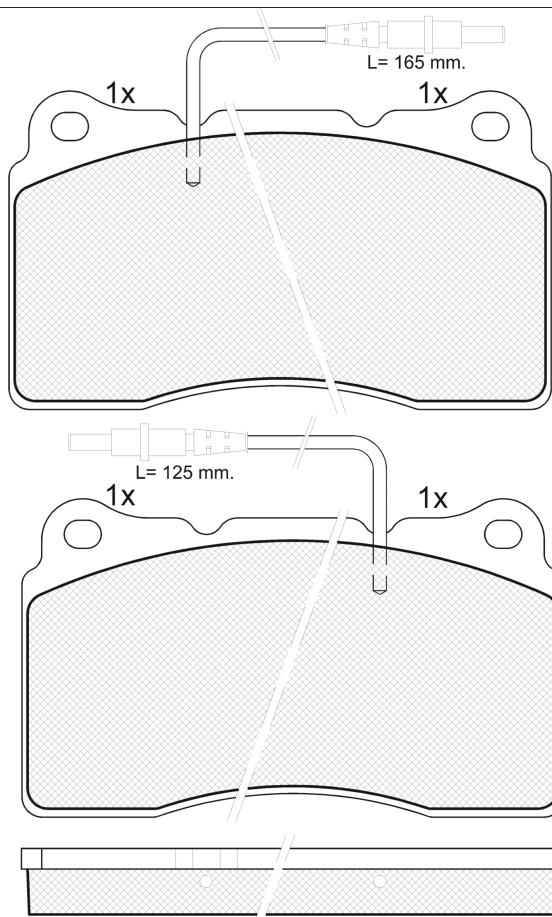


8 424073 133625

Qty: 300

Weight: 2.220

O.E.M.	MAKE
4252.55	CITROËN
425460	CITROËN
9 404 252 548	LANCIA
9 404 254 608	FIAT
9 467 529 687	LANCIA



RB1699

E 9 90R-01111/1138



Brembo

131.65x77.3x16

WVA
23575
23576

Sin Filas



Trac.	CC	Kw	CV
-------	----	----	----



Front / Rear

CITROËN

C8 (EA_, EB_) 06.02-						Furgoneta/MPV (LCVs-N1 Segment)		
3.0 (EBXFWF, EAXFWF)	Gasolina	FWD	2946	150	204	11.03-10.07	*	
C8 (EA_, EB_) 06.02-						MPV (Large MPV-M1 Segment)		
3.0 V6 (XFX (ES9J4S))	Gasolina	FWD	2946	150	204	07.02-	*	
2.0 HDi 165 (RHH (DW10CTED4))	Diesel	FWD	1997	120	163	03.06-	*	
2.2 HDi (4HT (DW12BTED4))	Diesel	FWD	2179	125	170	06.06-12.12	*	

FIAT

ULYSSE II (179_) 08.02-06.11						MPV (Large MPV-M1 Segment)		
3.0 (XFW)	Gasolina	FWD	2946	150	204	08.02-06.11	*	
2.2 D Multijet (4HS)	Diesel	FWD	2179	125	170	03.08-06.11	*	
2.2 D Multijet (4HT (DW12BTED4))	Diesel	FWD	2179	125	170	03.08-06.11	*	

LANCIA

PHEDRA (179_) 09.02-11.10						MPV (Large MPV-M1 Segment)		
3.0 V6 (179.BXD11) (ES9 J4S)	Gasolina	FWD	2946	150	204	09.02-11.10	*	
2.2 D Multijet (179.AXM1B, 179.AXP11, 179.BXM1B,... (4HS)	Diesel	FWD	2179	125	170	03.08-11.10	*	
2.2 D Multijet (179.AXM1B, 179.AXP11, 179.BXM1B,... (4HT)	Diesel	FWD	2179	125	170	03.08-11.10	*	

PEUGEOT

807 (EB_) 06.02-						MPV (Large MPV-M1 Segment)		
3.0 V6 (XFX (ES9J4S))	Gasolina	FWD	2946	150	204	06.02-	*	