

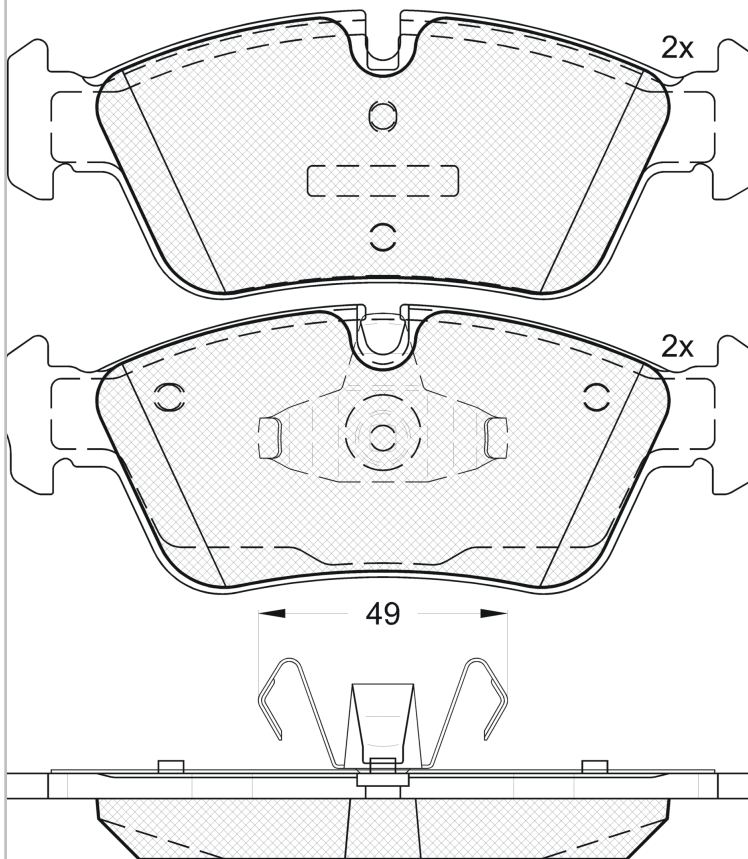
# LISTA DE APLICACIONES - BUYERS GUIDE

## RB1698



Qty: 300

Weight: 1.620



## RB1698

E 9 90R-01111/973



Ate - Teves

149.4x57.6x17.8

150.2x57.6x17.8

O.E.M.	MAKE
34 11 2 288 849	BMW
34 11 2 288 851	BMW
34 11 6 767 147	BMW
34 11 6 767 149	BMW
34 11 6 769 763	BMW
34 11 6 769 951	BMW

WVA	FMSI
23935	D1228-8347
23977	
23999	

Sin Filas



Trac.	CC	Kw	CV
-------	----	----	----



Front / Rear

### BMW

						[CAMBIADO]:Fastback (Compact car-C Segment)			
<b>1 Serie (E87) 02.03-12.13</b>									
120 i (N46 B20 B)		Gasolina	RWD	1995	110	150	06.04-02.07	*	
120 i (N46 B20 BD)		Gasolina	RWD	1995	110	150	06.04-02.07	*	
120 i (N46 B20 C)		Gasolina	RWD	1995	110	150	06.04-02.07	*	
120 i (N46 B20 CC)		Gasolina	RWD	1995	110	150	06.04-02.07	*	
120 i		Gasolina	FWD	1995	110	150	09.06-09.12	*	
120 i (N46 B20 B)		Gasolina	RWD	1995	115	156	03.07-12.11	*	
120 i (N46 B20 C)		Gasolina	RWD	1995	115	156	03.07-12.11	*	
120 i (N43 B20 A)		Gasolina	RWD	1995	120	163	03.07-12.11	*	
120 d (M47 D20 (204D4))		Diesel	RWD	1995	110	150	06.04-02.07	*	
120 d (M47 D20 (204D4))		Diesel	RWD	1995	120	163	06.04-06.11	*	
120 d (N47 D20 A)		Diesel	RWD	1995	120	163	06.04-06.11	*	
120 d (N47 D20 A)		Diesel	RWD	1995	120	163	03.07-12.11	*	
120 d (N47 D20 C)		Diesel	RWD	1995	120	163	03.07-12.11	*	
120 d (N47 D20 A)		Diesel	RWD	1995	130	177	03.07-06.11	*	
120 d (N47 D20 C)		Diesel	RWD	1995	130	177	03.07-06.11	*	
<b>3 Serie IV (E46) 04.00-12.07</b>						<b>Cabrió (Compact executive car-D Segment)</b>			
318 Ci (N46 B20 A)		Gasolina	RWD	1995	110	150	03.04-08.06	*	
318 Ci (N46 B20 C)		Gasolina	RWD	1995	110	150	03.04-08.06	*	
<b>3 Serie IV (E46) 12.98-07.06</b>						<b>Coupé (Compact executive car-D Segment)</b>			
318 Ci (N46 B20 A)		Gasolina	RWD	1995	110	150	03.04-05.06	*	
318 Ci (N46 B20 C)		Gasolina	RWD	1995	110	150	03.04-05.06	*	

# LISTA DE APLICACIONES - BUYERS GUIDE

<b>3 Serie V (E93) 05.06-12.13</b>					<b>Cabrío (Compact executive car-D Segment)</b>			
320i		Gasolina	RWD	1995	110	149	01.07-08.13	*
<b>3 Serie V (E92) 01.05-12.13</b>					<b>Coupé (Compact executive car-D Segment)</b>			
320i		Gasolina	RWD	1995	110	150	11.06-06.07	*
<b>3 Serie V (E90) 02.04-12.13</b>					<b>Sedán (Compact executive car-D Segment)</b>			
316 i (N45 B16 A)		Gasolina	RWD	1596	85	115	09.05-10.11	*
316 i (N45 B16 AC)		Gasolina	RWD	1596	85	115	09.05-10.11	*
1.8 316 i 15"		Gasolina	FWD	1795			02.04-	*
1.8 316 i 15"		Gasolina	FWD	1795			02.04-	*
1.8 316 i 15"		Gasolina	FWD	1795			02.04-	*
1.8 316 i 15"		Gasolina	FWD	1795			02.04-	*
318i (N46 B20 B)		Gasolina	RWD	1995	95	129	09.05-08.07	*
318i (N46 B20 B)		Gasolina	RWD	1995	100	136	09.07-10.11	*
318i (N46 B20 C)		Gasolina	RWD	1995	100	136	09.07-10.11	*
318i (N46 B20 CC)		Gasolina	RWD	1995	100	136	09.07-10.11	*
318i (N46 B20 CD)		Gasolina	RWD	1995	100	136	09.07-10.11	*
318i (N46 B20 E)		Gasolina	RWD	1995	100	136	09.07-10.11	*
320i (N46 B20 B)		Gasolina	RWD	1995	110	150	12.04-08.07	*
320i (N46 B20 BD)		Gasolina	RWD	1995	110	150	12.04-08.07	*
320i (N46 B20 C)		Gasolina	RWD	1995	110	150	12.04-08.07	*
320i (N46 B20 CB)		Gasolina	RWD	1995	110	150	12.04-08.07	*
320i (N46 B20 B)		Gasolina	RWD	1995	115	156	02.07-12.11	*
320i (N46 B20 C)		Gasolina	RWD	1995	115	156	02.07-12.11	*
320i (N46 B20 CC)		Gasolina	RWD	1995	115	156	02.07-12.11	*
320i (N46 B20 CD)		Gasolina	RWD	1995	115	156	02.07-12.11	*
320i (N46 B20 E)		Gasolina	RWD	1995	115	156	02.07-12.11	*
316 d (N47 D20 C)		Diesel	RWD	1995	85	116	07.09-12.11	*
318 d (M47 D20 (204D4))		Diesel	RWD	1995	90	122	03.05-08.07	*
318 d (N47 D20 A)		Diesel	RWD	1995	100	136	09.07-10.11	*
318 d (N47 D20 C)		Diesel	RWD	1995	100	136	09.07-10.11	*
318 d (N47 D20 A)		Diesel	RWD	1995	105	143	02.07-10.11	*
318 d (N47 D20 C)		Diesel	RWD	1995	105	143	02.07-10.11	*
<b>3 Serie V Touring (E91) 12.04-12.12</b>					<b>[CAMBIADO]:Break (Compact executive car-D Segment)</b>			
318i (N46 B20 B)		Gasolina	RWD	1995	95	129	01.06-08.07	*
318i (N46 B20 B)		Gasolina	RWD	1995	100	136	09.07-03.12	*
320i (N46 B20 B)		Gasolina	RWD	1995	110	150	09.05-06.12	*
320i (N46 B20 C)		Gasolina	RWD	1995	110	150	09.05-06.12	*
318 d (M47 D20 (204D4))		Diesel	RWD	1995	90	122	09.05-08.07	*
318 d (N47 D20 A)		Diesel	RWD	1995	100	136	07.07-06.12	*
318 d (N47 D20 C)		Diesel	RWD	1995	100	136	07.07-06.12	*