

LISTA DE APLICACIONES - BUYERS GUIDE

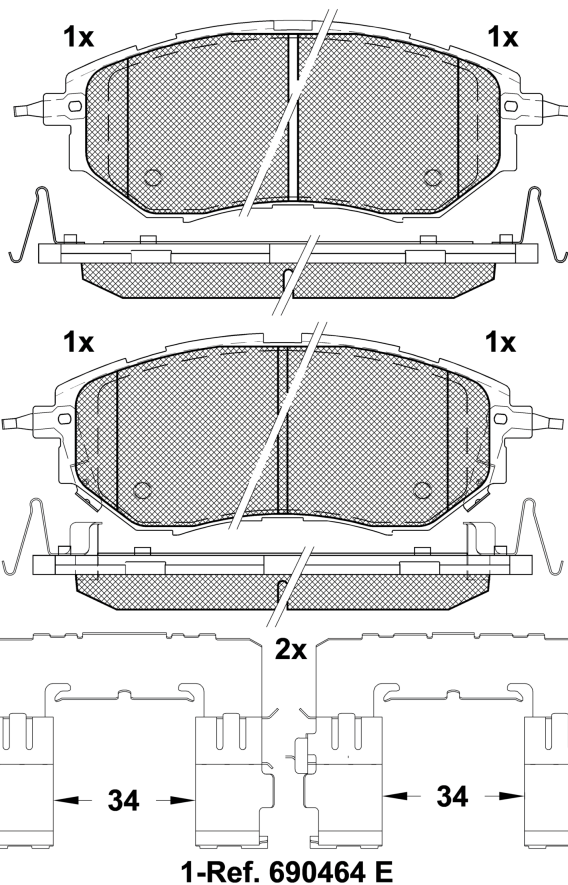
RB1697-067



Qty: 300

Weight: 2.160

O.E.M.	MAKE
26296-AL000	SUBARU
26296-AL010	SUBARU
26296-AL020	SUBARU



RB1697-067

E 9 90R-01111/1145



Akebono

157x63.5x17.7

WVA	FMSI
24221	D1078-7983
24222	
24223	
24224	
24225	

Sin Filas



Trac.	CC	Kw	CV
-------	----	----	----



Front / Rear

SUBARU

						SUV (Compact SUV-J Segment)			
FORESTER III (SH_) 12.07-									
2.0 D AWD (SHH, SHD, SHN) (EE20Z)		Diesel	4WD	1998	108	147	09.08-09.13	*	
FORESTER IV (SJ_) 11.12-						SUV (Compact SUV-J Segment)			
2.0 XT AWD (SJG) (FA20)		Gasolina	4WD	1998	177	241	03.13-	*	
2.0 D AWD (SJD) (EE20Z)		Diesel	4WD	1998	108	147	03.13-	*	
FORESTER V (SK_) 04.18-						SUV (Compact SUV-J Segment)			
2.5 AWD (SK9) (FB25C)		Gasolina	4WD	2498	136	185	04.18-	*	
2.5 AWD (SK9) (FB25D)		Gasolina	4WD	2498	136	185	04.18-	*	
2.0 e-Boxer Hybrid AWD (SKE) (FB20X)		Gasol./el éc.	4WD	1995	107	145	04.18-	*	
2.0 e-Boxer Hybrid AWD (SKE) (FB20X)		Gasol./el éc.	4WD	1995	110	150	04.18-	*	
IMPREZA IV / WRX (GJ_) 07.11-						Sedán (Compact car-C Segment)			
2.5 WRX STI		Gasolina	FWD	2457	224	305	06.12-	*	
2.5 WRX		Gasolina	FWD	2458	171	233	09.12-	*	
LEGACY IV / LIBERTY (BP) 09.03-12.09						[CAMBIADO]:Break (Executive car-E Segment)			
2.0 AWD (BP5) (EJ202)		Gasolina	4WD	1994	101	138	09.03-10.05	*	
2.0 R AWD (BP5) (EJ204)		Gasolina	4WD	1994	110	150	09.07-12.09	*	
2.0 AWD (BP5) (EJ204)		Gasolina	4WD	1994	121	165	06.05-04.09	*	
2.0		Gasolina	FWD	1994	132	179	06.05-04.09	*	
2.0		Gasolina	FWD	1994	140	190	06.05-04.09	*	
2.0 Turbo		Gasolina	FWD	1994	180	245	09.03-11.06	*	
2.0		Gasolina	FWD	1995	121	165	09.03-	*	

LISTA DE APLICACIONES - BUYERS GUIDE

2.5 AWD (BP9) (EJ25)		Gasolina	4WD	2457	121	165	09.03-04.09	*	
3.0 R AWD (BPE) (EZ30)		Gasolina	4WD	3000	180	245	09.03-08.09	*	
2.0 D AWD (BPD) (EE20Z)		Diesel	4WD	1998	110	150	02.08-12.09	*	
LEGACY IV / LIBERTY (BL) 09.03-12.15					Sedán (Executive car-E Segment)				
2.0 AWD (BL5) (EJ202)		Gasolina	4WD	1994	101	138	09.03-10.05	*	
2.0 R AWD (BL5) (EJ204)		Gasolina	4WD	1994	110	150	09.07-12.09	*	
2.0 AWD (BL5) (EJ204)		Gasolina	4WD	1994	121	165	06.05-04.09	*	
2.0		Gasolina	FWD	1994	132	179	06.05-04.09	*	
2.0		Gasolina	FWD	1994	140	190	06.05-04.09	*	
2.0 Turbo		Gasolina	FWD	1994	180	245	09.03-11.06	*	
2.5 AWD (BL9) (EJ25)		Gasolina	4WD	2457	121	165	09.03-04.09	*	
3.0 R AWD (BLE, B13) (EZ30)		Gasolina	4WD	3000	180	245	09.03-08.09	*	
2.0 D AWD (BLD) (EE20Z)		Diesel	4WD	1998	110	150	02.08-12.09	*	
LEGACY V / LIBERTY (BR) 06.08-12.14					[CAMBIADO]:Break (Executive car-E Segment)				
2.5 i AWD (BR9) (EJ253)		Gasolina	4WD	2457	123	167	09.09-12.14	*	
2.5 GT AWD (BR9) (EJ255)		Gasolina	4WD	2457	195	265	07.10-12.14	*	
2.5 i AWD (BRM) (FB25)		Gasolina	4WD	2498	127	173	07.12-12.14	*	
LEGACY V / LIBERTY (BM) 05.09-					Sedán (Executive car-E Segment)				
2.5 i AWD (BM9) (EJ253)		Gasolina	4WD	2457	123	167	09.09-12.14	*	
2.5 i AWD (BM9) (EJ253)		Gasolina	4WD	2457	125	170	01.12-12.14	*	
2.5 GT AWD (BM9) (EJ255)		Gasolina	4WD	2457	195	265	07.10-12.14	*	
2.5 i AWD (BMM) (FB25)		Gasolina	4WD	2498	127	173	07.12-12.14	*	
2.5 i AWD (BMM) (FB25A)		Gasolina	4WD	2498	127	173	07.12-12.14	*	
2.5 i AWD (BMM) (FB25B)		Gasolina	4WD	2498	127	173	07.12-12.14	*	
3.6 AWD (BMF)		Gasolina	4WD	3630	191	260	09.09-12.14	*	
LEGACY VI (BN) 01.15-					Sedán (Executive car-E Segment)				
2.0 DIT		Gasolina	FWD	1998	177	240	11.15-	*	
2.5 i AWD (BN9) (FB25)		Gasolina	4WD	2498	129	175	01.15-	*	
3.6 i AWD (BNF) (EZ36D)		Gasolina	4WD	3630	191	260	01.15-	*	
LEVORG 03.15-					[CAMBIADO]:Break (Large family car-D Segment)				
1.6 AWD (VM4) (FB16)		Gasolina	4WD	1599	125	170	09.15-	*	
2.0 AWD (FB20A)		Gasolina	4WD	1995	110	150	01.19-	*	
2.0 AWD (FB20B)		Gasolina	4WD	1995	110	150	01.19-	*	
2.0		Gasolina	FWD	1998	197	268	05.16-	*	
2.0		Gasolina	FWD	1998	221	300	03.15-	*	
OUTBACK III (BP) 09.03-06.10					[CAMBIADO]:Break (Executive car-E Segment)				
3.0 AWD (BPE) (EZ30)		Gasolina	4WD	3000	180	245	11.03-09.09	*	
OUTBACK IV (BR) 06.09-					[CAMBIADO]:Break (Executive car-E Segment)				
2.5 i AWD (FB25)		Gasolina	4WD	2498	130	177	07.14-	*	
3.6 AWD (EZ36D)		Gasolina	4WD	3630	183	249	06.11-12.14	*	
3.6 R		Gasolina	FWD	3630	188	256	01.12-	*	
3.6 R AWD (BRF) (EZ36D)		Gasolina	4WD	3630	191	260	09.09-	*	
3.6		Gasolina	FWD	3630	206	280	01.10-	*	
2.0 D AWD		Diesel	4WD	1998	108	147	01.13-	*	
2.0 D AWD (BRD) (EE20Z)		Diesel	4WD	1998	110	150	09.09-	*	
OUTBACK V (BS) 10.14-					[CAMBIADO]:Break (Executive car-E Segment)				
2.0 DIT AWD		Gasolina	4WD	1998	177	241	10.14-	*	

LISTA DE APLICACIONES - BUYERS GUIDE

2.5 AWD	Gasolina	4WD	2498	127	173	10.14-	*
2.5 AWD (BS9) (FB25)	Gasolina	4WD	2498	129	175	03.15-12.19	*
3.6 AWD (BSF) (EZ36D)	Gasolina	4WD	3630	191	260	10.14-	*
2.0 D AWD (BSD) (EE20Z)	Diesel	4WD	1998	110	150	03.15-	*
OUTBACK VI (BT) 09.19-							[CAMBIADO]:Break (Executive car-E Segment)
2.5 AWD	Gasolina	4WD	2498	129	175	07.20-	*
TRIBECA (B9) 01.05-							SUV (Executive SUV-J Segment)
3.0 (WXE) (EZ30)	Gasolina	4WD	2999	184	250	01.05-	*
3.0 (WXE) (EZ30)	Gasolina	4WD	3000	180	245	10.06-	*
3.6 (WXF) (EZ36D)	Gasolina	4WD	3630	190	258	09.07-	*
WRX / IMPREZA IV (GJ) 07.11-							Sedán (Compact car-C Segment)
2.0 AWD (GK6, GK8) (FA20E)	Gasolina	4WD	1998	197	268	09.13-	*
2.0 AWD (GK6, GK8) (FA20F)	Gasolina	4WD	1998	197	268	09.13-	*
STi 2.5 AWD (EJ257)	Gasolina	4WD	2457	221	301	06.14-	*