

# LISTA DE APLICACIONES - BUYERS GUIDE

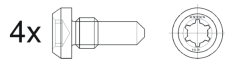
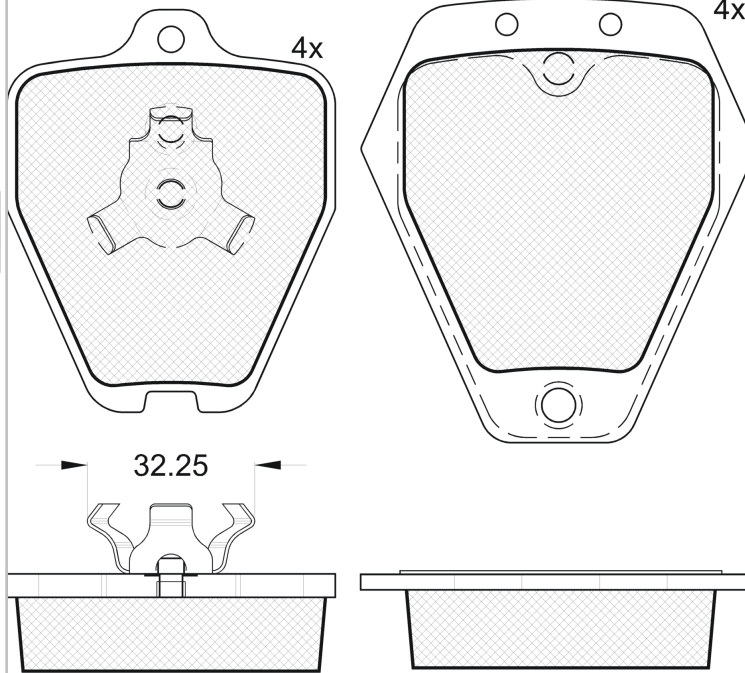
## RB1692



Qty: 300

Weight: 1.718

O.E.M.	MAKE
8D0 698 151 B	AUDI
8D0 698 151 K	AUDI



1-Ref.690171 E

## RB1692

**E 9** 90R-01111/206



Lucas - Girling

63.3x77.4x18.5

76.1x85.6x18.5

**WVA**

21452

21454

Sin Filas



Trac.	CC	Kw	CV
-------	----	----	----



Front / Rear

### AUDI

						Sedán (Compact executive car-D Segment)				
<b>A4 B5 (8D2) 11.94-12.01</b>										
S4 quattro (AGB)		Gasolina	4WD	2671	195	265	09.97-09.01	*		
S4 quattro (AZB)		Gasolina	4WD	2671	195	265	09.97-09.01	*		
<b>A4 B5 Avant (8D5) 11.94-12.02</b>						<b>[CAMBIADO]:Break (Compact executive car-D Segment)</b>				
S4 quattro (AGB)		Gasolina	4WD	2671	195	265	09.97-09.01	*		
S4 quattro (AZB)		Gasolina	4WD	2671	195	265	09.97-09.01	*		