

LISTA DE APLICACIONES - BUYERS GUIDE

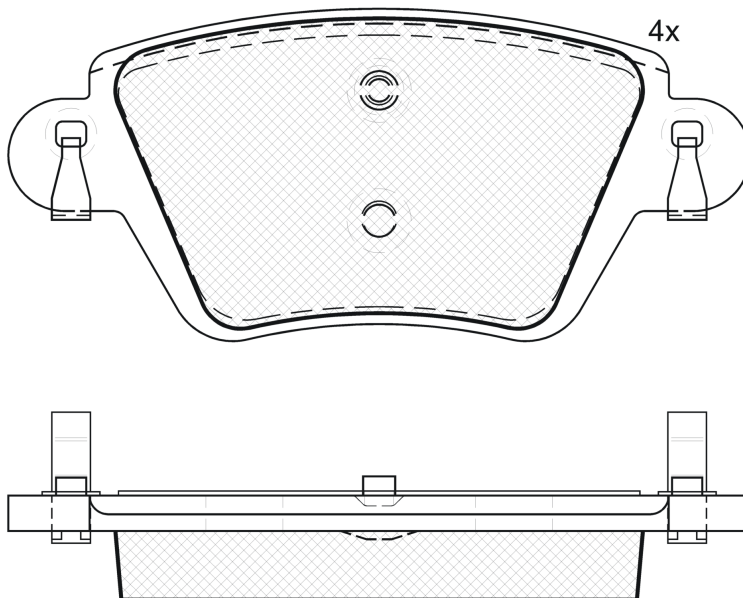
RB1682-701



Qty: 944

Weight: 1.200

O.E.M.	MAKE
77 01 207 187	RENAULT
86 60 004 481	RENAULT
86 71 016 712	RENAULT



RB1682-701

E 9 90R-01110/1244

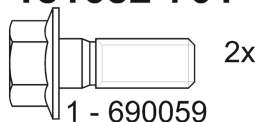


Bosch

115.55x51.75x16.9

WVA
23557
Sin Filas

181682-701



2x

1 - 690059



Trac.	CC	Kw	CV
-------	----	----	----



Front / Rear

NISSAN

KUBISTAR (X76) 08.03-

[CAMBIADO]:Furgón (LCVs-N1 Segment)

1.6 16V (K4M 752)	Gasolina	FWD	1598	70	95	08.03-10.09	*
1.5 dCi (K9K 722)	Diesel	FWD	1461	60	82	08.03-10.09	*

KUBISTAR (X76) 08.03-10.09

MPV (Large MPV-M1 Segment)

1.6 16V	Gasolina	FWD	1598	70	95	08.03-10.09	*
1.5 dCi	Diesel	FWD	1461	60	82	08.03-10.09	*
1.5 dCi 85	Diesel	FWD	1461	62	85	04.06-10.09	*

RENAULT

KANGOO (KC0/1_) 08.97-

MPV (Mini MPV-M1 Segment)

1.6 16V (K4M 706)	Gasolina	FWD	1598	70	95	06.01-03.18	*
1.6 16V (K4M 730)	Gasolina	FWD	1598	70	95	06.01-03.18	*
1.6 16V (K4M 750)	Gasolina	FWD	1598	70	95	06.01-03.18	*
1.6 16V (K4M 752)	Gasolina	FWD	1598	70	95	06.01-03.18	*
1.6 16V (K4M 753)	Gasolina	FWD	1598	70	95	06.01-03.18	*
1.6 16V 4x4 (KC0P, KC0S, KC0L) (K4M 750)	Gasolina	4WD	1598	70	95	10.01-	*
1.6 16V 4x4 (KC0P, KC0S, KC0L) (K4M 752)	Gasolina	4WD	1598	70	95	10.01-	*
1.6 16V 4x4 (KC0P, KC0S, KC0L) (K4M 753)	Gasolina	4WD	1598	70	95	10.01-	*
1.9 dCi 4x4 (KC0V) (F9Q 782)	Diesel	4WD	1870	59	80	10.01-	*
1.9 dCi 4x4 (KC0V) (F9Q 790)	Diesel	4WD	1870	59	80	10.01-	*
1.9 dCi 4x4 (F9Q 790)	Diesel	4WD	1870	62	84	10.03-	*

KANGOO EXPRESS (FC0/1_) 08.97-

Furgoneta/MPV (LCVs-N1 Segment)

1.6 16V (K4M 706)	Gasolina	FWD	1598	70	95	10.01-03.18	*
1.6 16V (K4M 752)	Gasolina	FWD	1598	70	95	10.01-03.18	*

LISTA DE APLICACIONES - BUYERS GUIDE

1.6 16V 4x4 (FC0L, FC0P, FC0S) (K4M 750)	Gasolina	4WD	1598	70	95	10.01-	*
1.6 16V 4x4 (FC0L, FC0P, FC0S) (K4M 752)	Gasolina	4WD	1598	70	95	10.01-	*
1.6 16V 4x4 (FC0L, FC0P, FC0S) (K4M 753)	Gasolina	4WD	1598	70	95	10.01-	*
1.6 16V bivalent (K4M 850)	Gasol./Gas (CNG)	FWD	1598	60	82	06.05-	*
1.5 dCi (FC08, FC09) (K9K 702)	Diesel	FWD	1461	60	82	04.03-	*
1.5 dCi (FC08, FC09) (K9K 710)	Diesel	FWD	1461	60	82	04.03-	*
1.5 dCi (FC1G) (K9K 718)	Diesel	FWD	1461	62	84	06.05-	*
1.9 dCi 4x4 (FC0V) (F9Q 782)	Diesel	4WD	1870	59	80	10.01-	*
1.9 dCi 4x4 (FC0V) (F9Q 790)	Diesel	4WD	1870	59	80	10.01-	*
1.9 dCi (FC0V) (F9Q 782)	Diesel	FWD	1870	62	84	07.03-	*
1.9 dCi (FC0V) (F9Q 790)	Diesel	FWD	1870	62	84	07.03-	*
1.9 dCi 4x4 (FC0V) (F9Q 790)	Diesel	4WD	1870	62	84	07.03-	*