

LISTA DE APLICACIONES - BUYERS GUIDE

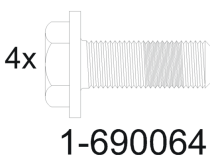
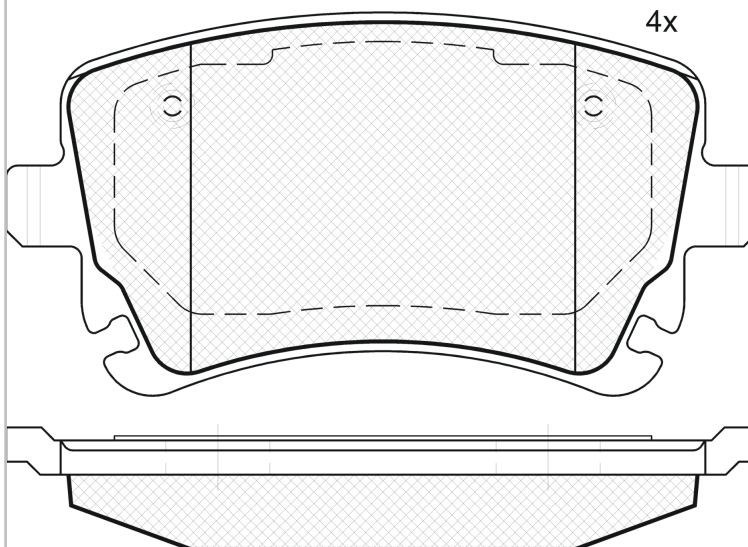
RB1674-204



Qty: 944

Weight: 1.400

O.E.M.	MAKE
3W0 698 451	BENTLEY
3W0 698 451 B	BENTLEY
4B3 698 451	AUDI
4B3 698 451 A	AUDI
4B3698451A	SEAT
4E0 698 451	AUDI
4E0 698 451 A	AUDI
4E0 698 451 B	AUDI
4E4698451	AUDI
4E4698451A	AUDI
4F0 698 451	AUDI
4F0 698 451 C	AUDI
4F0 698 451 F	AUDI
4F0 698 451 G	AUDI
4F0 698 451 H	AUDI
4F0698451F	SEAT
4F0698451H	SEAT
7H0698451A	SEAT
86 60 000 788	RENAULT
86 60 004 440	RENAULT
8E0 698 451 C	AUDI
8E0 698 451 H	AUDI
8E0 698 451 N	AUDI
8E0 698 451 P	AUDI
JZW698451L	AUDI



RB1674-204



90R-01110/715

Lucas - Girling

116.1x59.1x17.4

WVA

23326

23854

23882

Sin Filas

FMSI

D1018-7921



Trac.	CC	Kw	CV
-------	----	----	----



Front / Rear

AUDI

					[CAMBIADO]:Fastback (Compact executive car-D Segment)				
A3 II Sportback (8PA) 09.04-12.15									
S3 quattro (CDLC)		Gasolina	4WD	1984	188	256	07.08-03.13	*	
S3 quattro (BHZ)		Gasolina	4WD	1984	195	265	06.08-03.13	*	
S3 quattro (CDLA)		Gasolina	4WD	1984	195	265	06.08-03.13	*	
A4 II B6 (8H7) 01.02-12.09					Cabrio (Compact executive car-D Segment)				
1.8 T (BFB)		Gasolina	FWD	1781	120	163	07.02-12.05	*	
1.8 T quattro (BFB)		Gasolina	4WD	1781	120	163	05.03-12.05	*	
2.0 (ALT)		Gasolina	FWD	1984	96	130	09.04-12.05	*	
2.4 (AMM)		Gasolina	FWD	2393	120	163	04.02-12.05	*	
2.4 (BDV)		Gasolina	FWD	2393	125	170	04.02-12.05	*	
3.0 (BBJ)		Gasolina	FWD	2976	160	218	04.02-12.05	*	
3.0 (ASN)		Gasolina	FWD	2976	162	220	04.02-12.05	*	
3.0 (AVK)		Gasolina	FWD	2976	162	220	04.02-12.05	*	
3.0 (BGN)		Gasolina	FWD	2976	162	220	04.02-12.05	*	
3.0 quattro (ASN)		Gasolina	4WD	2976	162	220	05.03-12.05	*	
3.0 quattro (AVK)		Gasolina	4WD	2976	162	220	05.03-12.05	*	
3.0 quattro (BGN)		Gasolina	4WD	2976	162	220	05.03-12.05	*	
S4 quattro (BBK)		Gasolina	4WD	4163	253	344	03.04-12.05	*	
S4 quattro (BHF)		Gasolina	4WD	4163	253	344	03.04-12.05	*	
2.5 TDI (BCZ)		Diesel	FWD	2496	120	163	08.02-12.05	*	
2.5 TDI (BDG)		Diesel	FWD	2496	120	163	08.02-12.05	*	
2.5 TDI (BFC)		Diesel	FWD	2496	120	163	08.02-12.05	*	

LISTA DE APLICACIONES - BUYERS GUIDE

					Sedán (Compact executive car-D Segment)				
A4 II B6 (8E2) 11.00-12.05									
S4 quattro (APB)		Gasolina	4WD	2671	176	253	01.02-12.05	*	
S4 quattro (APB)		Gasolina	4WD	2671	187	254	01.02-12.02	*	
S4 quattro (BBK)		Gasolina	4WD	4163	253	344	03.03-12.04	*	
S4 quattro (BHF)		Gasolina	4WD	4163	253	344	03.03-12.04	*	
A4 II B6 Avant (8E5) 02.00-12.05					[CAMBIADO]:Break (Compact executive car-D Segment)				
2.7 S4 quattro (APB)		Gasolina	4WD	2671	187	254	04.01-12.02	*	
S4 quattro (BBK)		Gasolina	4WD	4163	253	344	03.03-12.04	*	
S4 quattro (BHF)		Gasolina	4WD	4163	253	344	03.03-12.04	*	
A4 III B7 Avant (8ED) 11.04-11.08					[CAMBIADO]:Break (Compact executive car-D Segment)				
1.6 (ALZ)		Gasolina	FWD	1595	75	102	11.04-06.08	*	
1.8 T (BFB)		Gasolina	FWD	1781	120	163	11.04-06.08	*	
1.8 T quattro (BFB)		Gasolina	4WD	1781	120	163	11.04-06.08	*	
2.0 (ALT)		Gasolina	FWD	1984	96	130	11.04-06.08	*	
2.0 FSI		Gasolina	FWD	1984	110	150	01.05-07.05	*	
2.0 TFSI (BPJ)		Gasolina	FWD	1984	125	170	10.06-06.08	*	
2.0 TFSI (BYK)		Gasolina	FWD	1984	125	170	10.06-06.08	*	
2.0 TFSI (BGB)		Gasolina	FWD	1984	147	200	11.04-06.08	*	
2.0 TFSI (BPG)		Gasolina	FWD	1984	147	200	11.04-06.08	*	
2.0 TFSI (BWE)		Gasolina	FWD	1984	147	200	11.04-06.08	*	
2.0 TFSI quattro (BGB)		Gasolina	4WD	1984	147	200	11.04-06.08	*	
2.0 TFSI quattro (BPG)		Gasolina	4WD	1984	147	200	11.04-06.08	*	
2.0 TFSI quattro (BWE)		Gasolina	4WD	1984	147	200	11.04-06.08	*	
2.0 TFSI quattro (BWT)		Gasolina	4WD	1984	147	200	11.04-06.08	*	
2.0 TFSI (BUL)		Gasolina	FWD	1984	162	220	06.05-06.08	*	
2.0 TFSI quattro (BUL)		Gasolina	4WD	1984	162	220	06.05-06.08	*	
3.0 (BBJ)		Gasolina	FWD	2976	160	218	11.04-05.06	*	
3.0 quattro (BBJ)		Gasolina	4WD	2976	160	218	11.04-07.06	*	
3.2 FSI (AUK)		Gasolina	FWD	3123	188	255	01.05-06.08	*	
3.2 FSI quattro (AUK)		Gasolina	4WD	3123	188	255	01.05-06.08	*	
3.2 FSI quattro (BKH)		Gasolina	4WD	3123	188	255	01.05-06.08	*	
S4 quattro (BBK)		Gasolina	4WD	4163	253	344	11.04-06.08	*	
S4 quattro (BHF)		Gasolina	4WD	4163	253	344	11.04-06.08	*	
RS4 quattro (BNS)		Gasolina	4WD	4163	309	420	09.05-06.08	*	
1.9 TDI (BKE)		Diesel	FWD	1896	85	116	11.04-06.08	*	
1.9 TDI (BRB)		Diesel	FWD	1896	85	116	11.04-06.08	*	
2.0 TDI (BVF)		Diesel	FWD	1968	93	126	11.05-11.06	*	
2.0 TDI (BNA)		Diesel	FWD	1968	100	136	11.04-06.08	*	
2.0 TDI (BRF)		Diesel	FWD	1968	100	136	11.04-06.08	*	
2.0 TDI (BPW)		Diesel	FWD	1968	103	140	11.04-06.08	*	
2.0 TDI 16V (BLB)		Diesel	FWD	1968	103	140	11.04-06.08	*	
2.0 TDI 16V (BRE)		Diesel	FWD	1968	103	140	11.04-06.08	*	
2.0 TDI quattro (BPW)		Diesel	4WD	1968	103	140	01.06-06.08	*	
2.0 TDI (BRD)		Diesel	FWD	1968	125	170	06.06-06.08	*	
2.0 TDI quattro (BRD)		Diesel	4WD	1968	125	170	06.06-06.08	*	
2.5 TDI (BDG)		Diesel	FWD	2496	120	163	11.04-05.06	*	
2.7 TDI (BSG)		Diesel	FWD	2698	120	163	11.05-03.08	*	
2.7 TDI (BPP)		Diesel	FWD	2698	132	180	01.06-06.08	*	
3.0 TDI quattro (BKN)		Diesel	4WD	2967	150	204	11.04-06.08	*	
3.0 TDI quattro (ASB)		Diesel	4WD	2967	171	233	01.06-06.08	*	

LISTA DE APLICACIONES - BUYERS GUIDE

A4 III B7 (8HE) 01.02-01.10					Cabrío (Compact executive car-D Segment)			
2.0 TFSI 16V (BWE)	Gasolina	FWD	1984	147	200	01.06-03.09	*	
2.0 TFSI 16V (BWT)	Gasolina	FWD	1984	147	200	01.06-03.09	*	
3.2 FSI (AUK)	Gasolina	FWD	3123	188	255	01.06-03.09	*	
3.2 FSI quattro (AUK)	Gasolina	4WD	3123	188	255	01.06-03.09	*	
3.2 FSI quattro (BKH)	Gasolina	4WD	3123	188	255	01.06-03.09	*	
S4 quattro	Gasolina	4WD	4163	253	344	11.05-03.09	*	
RS4 quattro (BNS)	Gasolina	4WD	4163	309	420	02.06-12.08	*	
2.0 TDI (BRC)	Diesel	FWD	1968	100	136	01.06-03.09	*	
2.0 TDI (BPW)	Diesel	FWD	1968	103	140	01.06-03.09	*	
2.7 TDI (BPP)	Diesel	FWD	2698	132	180	06.06-03.09	*	
3.0 TDI quattro (BKN)	Diesel	4WD	2967	150	204	01.06-03.09	*	
3.0 TDI quattro (ASB)	Diesel	4WD	2967	171	233	01.06-03.09	*	
A4 III B7 (8EC) 11.04-01.09					Sedán (Compact executive car-D Segment)			
1.6 (ALZ)	Gasolina	FWD	1595	75	102	11.04-06.08	*	
1.8 T (BFB)	Gasolina	FWD	1781	120	163	11.04-06.08	*	
1.8 T quattro (BFB)	Gasolina	4WD	1781	120	163	11.04-06.08	*	
2.0 (ALT)	Gasolina	FWD	1984	96	130	11.04-06.08	*	
2.0 TFSI (BPJ)	Gasolina	FWD	1984	125	170	10.06-06.08	*	
2.0 TFSI (BYK)	Gasolina	FWD	1984	125	170	10.06-06.08	*	
2.0 TFSI (BGB)	Gasolina	FWD	1984	147	200	11.04-06.08	*	
2.0 TFSI (BPG)	Gasolina	FWD	1984	147	200	11.04-06.08	*	
2.0 TFSI (BWE)	Gasolina	FWD	1984	147	200	11.04-06.08	*	
2.0 TFSI (BWT)	Gasolina	FWD	1984	147	200	11.04-06.08	*	
2.0 TFSI quattro (BGB)	Gasolina	4WD	1984	147	200	11.04-06.08	*	
2.0 TFSI quattro (BPG)	Gasolina	4WD	1984	147	200	11.04-06.08	*	
2.0 TFSI quattro (BWE)	Gasolina	4WD	1984	147	200	11.04-06.08	*	
2.0 TFSI quattro (BWT)	Gasolina	4WD	1984	147	200	11.04-06.08	*	
2.0 TFSI (BUL)	Gasolina	FWD	1984	162	220	06.05-06.08	*	
2.0 TFSI quattro (BUL)	Gasolina	4WD	1984	162	220	06.05-06.08	*	
3.0 (BBJ)	Gasolina	FWD	2976	160	218	11.04-05.06	*	
3.2 FSI (AUK)	Gasolina	FWD	3123	188	255	01.05-06.08	*	
3.2 FSI quattro (AUK)	Gasolina	4WD	3123	188	255	01.05-06.08	*	
3.2 FSI quattro (BKH)	Gasolina	4WD	3123	188	255	01.05-06.08	*	
S4 quattro (BBK)	Gasolina	4WD	4163	253	344	11.04-06.08	*	
S4 quattro (BHF)	Gasolina	4WD	4163	253	344	11.04-06.08	*	
RS4 quattro (BNS)	Gasolina	4WD	4163	309	420	09.05-06.08	*	
1.9 TDI (BKE)	Diesel	FWD	1896	85	116	11.04-06.08	*	
1.9 TDI (BRB)	Diesel	FWD	1896	85	116	11.04-06.08	*	
2.0 TDI (BVG)	Diesel	FWD	1968	89	121	09.05-09.06	*	
2.0 TDI (BVF)	Diesel	FWD	1968	93	126	11.05-11.06	*	
2.0 TDI (BNA)	Diesel	FWD	1968	100	136	11.04-06.08	*	
2.0 TDI (BRF)	Diesel	FWD	1968	100	136	11.04-06.08	*	
2.0 TDI (BPW)	Diesel	FWD	1968	103	140	11.04-06.08	*	
2.0 TDI 16V (BLB)	Diesel	FWD	1968	103	140	11.04-06.08	*	
2.0 TDI 16V (BRE)	Diesel	FWD	1968	103	140	11.04-06.08	*	
2.0 TDI quattro (BPW)	Diesel	4WD	1968	103	140	01.06-06.08	*	
2.0 TDI (BRD)	Diesel	FWD	1968	125	170	06.06-06.08	*	
2.0 TDI quattro (BRD)	Diesel	4WD	1968	125	170	06.06-06.08	*	
2.5 TDI (BDG)	Diesel	FWD	2496	120	163	11.04-05.06	*	

LISTA DE APLICACIONES - BUYERS GUIDE

2.7 TDI (BSG)		Diesel	FWD	2698	120	163	11.05-06.08	*
2.7 TDI (BPP)		Diesel	FWD	2698	132	180	01.06-06.08	*
3.0 TDI quattro (BKN)		Diesel	4WD	2967	150	204	11.04-06.08	*
3.0 TDI quattro (ASB)		Diesel	4WD	2967	171	233	01.06-06.08	*
A6 II C5 Avant (4B5, 4B6) 11.97-01.06					[CAMBIADO]:Break (Executive car-E Segment)			
RS6 quattro (BCY)		Gasolina	4WD	4172	331	450	07.02-01.05	*
RS6 plus quattro (BRV)		Gasolina	4WD	4172	353	480	04.04-01.05	*
A6 II C5 (4B2, 4B4) 01.97-12.05					Sedán (Executive car-E Segment)			
RS6 quattro (BCY)		Gasolina	4WD	4172	331	450	07.02-01.05	*
A6 III C6 Avant (4F5) 11.04-08.11					[CAMBIADO]:Break (Executive car-E Segment)			
2.0 TFSI (BPJ)		Gasolina	FWD	1984	125	170	06.05-08.11	*
2.4 (BDW)		Gasolina	FWD	2393	130	177	03.05-10.08	*
2.4 quattro (BDW)		Gasolina	4WD	2393	130	177	03.05-10.08	*
2.8 FSI (CCDA)		Gasolina	FWD	2773	140	190	10.08-08.11	*
2.8 FSI quattro (CCDA)		Gasolina	4WD	2773	140	190	10.08-08.11	*
2.8 FSI (BDX)		Gasolina	FWD	2773	154	210	11.06-10.08	*
2.8 FSI quattro (BDX)		Gasolina	4WD	2773	154	210	06.07-10.08	*
2.8 FSI (CCEA)		Gasolina	FWD	2773	162	220	10.08-08.11	*
2.8 FSI quattro (CCEA)		Gasolina	4WD	2773	162	220	10.08-08.11	*
3.0 (BBJ)		Gasolina	FWD	2976	160	218	03.05-05.06	*
3.0 quattro (BBJ)		Gasolina	4WD	2976	160	218	03.05-05.06	*
3.0 TFSI quattro (CAJA)		Gasolina	4WD	2995	213	290	10.08-08.11	*
3.0 TFSI quattro (CCAA)		Gasolina	4WD	2995	220	299	10.08-08.11	*
3.2 FSI (AUK)		Gasolina	FWD	3123	188	255	03.05-10.08	*
3.2 FSI quattro (AUK)		Gasolina	4WD	3123	188	255	03.05-10.08	*
3.2 FSI quattro (BKH)		Gasolina	4WD	3123	188	255	03.05-10.08	*
4.2 quattro (BAT)		Gasolina	4WD	4163	246	335	03.05-05.06	*
4.2 FSI quattro (BVJ)		Gasolina	4WD	4163	257	350	06.06-08.11	*
RS6 quattro (BUH)		Gasolina	4WD	4991	426	580	04.08-08.10	*
S6 quattro (BXA)		Gasolina	4WD	5204	320	435	03.06-08.11	*
2.0 TDI (BVG)		Diesel	FWD	1968	89	121	09.05-06.06	*
2.0 TDI (BNA)		Diesel	FWD	1968	100	136	06.05-08.11	*
2.0 TDI (BRF)		Diesel	FWD	1968	100	136	06.05-08.11	*
2.0 TDI (CAGB)		Diesel	FWD	1968	100	136	06.05-08.11	*
2.0 TDI (BLB)		Diesel	FWD	1968	103	140	06.05-10.08	*
2.0 TDI (BRE)		Diesel	FWD	1968	103	140	06.05-10.08	*
2.0 TDI (CAHB)		Diesel	FWD	1968	120	163	04.09-08.11	*
2.0 TDI (CAHA)		Diesel	FWD	1968	125	170	10.08-08.11	*
2.7 TDI (BSG)		Diesel	FWD	2698	120	163	03.05-08.11	*
2.7 TDI (CANB)		Diesel	FWD	2698	120	163	03.05-08.11	*
2.7 TDI quattro (BSG)		Diesel	4WD	2698	120	163	06.05-08.11	*
2.7 TDI quattro (CAND)		Diesel	4WD	2698	120	163	06.05-08.11	*
2.7 TDI (BPP)		Diesel	FWD	2698	132	180	03.05-10.08	*
2.7 TDI quattro (BPP)		Diesel	4WD	2698	132	180	11.04-10.08	*
2.7 TDI (CANA)		Diesel	FWD	2698	140	190	10.08-08.11	*
2.7 TDI quattro (CANC)		Diesel	4WD	2698	140	190	10.08-08.11	*
3.0 TDI quattro (BNG)		Diesel	4WD	2967	155	211	03.05-08.11	*
3.0 TDI quattro (CDYB)		Diesel	4WD	2967	155	211	03.05-08.11	*
3.0 TDI quattro (BMK)		Diesel	4WD	2967	165	225	03.05-05.06	*
3.0 TDI		Diesel	FWD	2967	171	232	06.06-08.11	*

LISTA DE APLICACIONES - BUYERS GUIDE

3.0 TDI quattro (ASB)		Diesel	4WD	2967	171	233	06.06-10.08	*
3.0 TDI quattro (CDYA)		Diesel	4WD	2967	176	240	10.08-08.11	*
3.0 TDI quattro (CDYC)		Diesel	4WD	2967	176	240	10.08-08.11	*
A6 III Allroad C6 (4FH) 03.06-08.11					[CAMBIADO]:Break (Executive car-E Segment)			
3.0 TFSI quattro (CAJA)		Gasolina	4WD	2995	213	290	10.08-08.11	*
3.2 FSI quattro (AUK)		Gasolina	4WD	3123	188	255	05.06-10.08	*
4.2 FSI quattro (BVJ)		Gasolina	4WD	4163	257	350	05.06-12.10	*
2.7 TDI quattro (BSG)		Diesel	4WD	2698	120	163	05.06-08.11	*
2.7 TDI quattro (CAND)		Diesel	4WD	2698	120	163	05.06-08.11	*
2.7 TDI quattro (BPP)		Diesel	4WD	2698	132	180	03.06-10.08	*
2.7 TDI quattro (CANC)		Diesel	4WD	2698	140	190	10.08-08.11	*
3.0 TDI quattro (BNG)		Diesel	4WD	2967	155	211	05.06-08.11	*
3.0 TDI quattro (CDYB)		Diesel	4WD	2967	155	211	05.06-08.11	*
3.0 TDI quattro (ASB)		Diesel	4WD	2967	171	233	05.06-10.08	*
3.0 TDI quattro (CDYA)		Diesel	4WD	2967	176	240	10.08-08.11	*
3.0 TDI quattro (CDYC)		Diesel	4WD	2967	176	240	10.08-08.11	*
A6 III Avant (U.S.A. C6) 09.03-12.11					[CAMBIADO]:Break (Executive car-E Segment)			
4.2 RS6 Quattro		Gasolina	FWD	4195	331	450	09.03-	*
A6 III C6 (4F2) 04.04-08.11					Sedán (Executive car-E Segment)			
2.0 TFSI (BPJ)		Gasolina	FWD	1984	125	170	06.05-03.11	*
2.0 TFSI (BYK)		Gasolina	FWD	1984	125	170	06.05-03.11	*
2.4 (BDW)		Gasolina	FWD	2393	130	177	05.04-10.08	*
2.4 quattro (BDW)		Gasolina	4WD	2393	130	177	01.05-10.08	*
2.8 V6		Gasolina	FWD	2771	142	193	07.08-10.08	*
2.8 V6 (AHA)		Gasolina	FWD	2771	142	193	07.08-10.08	*
2.8 FSI (CCDA)		Gasolina	FWD	2773	140	190	10.08-03.11	*
2.8 FSI quattro (CCDA)		Gasolina	4WD	2773	140	190	10.08-03.11	*
2.8 FSI (BDX)		Gasolina	FWD	2773	154	210	11.06-10.08	*
2.8 FSI quattro (BDX)		Gasolina	4WD	2773	154	210	06.07-10.08	*
2.8 FSI (CCEA)		Gasolina	FWD	2773	162	220	10.08-03.11	*
2.8 FSI quattro (CCEA)		Gasolina	4WD	2773	162	220	10.08-03.11	*
3.0 (BBJ)		Gasolina	FWD	2976	160	218	08.04-05.06	*
3.0 quattro (BBJ)		Gasolina	4WD	2976	160	218	05.04-05.06	*
3.0 TFSI quattro (CAJA)		Gasolina	4WD	2995	213	290	10.08-03.11	*
3.0 TFSI quattro (CCAA)		Gasolina	4WD	2995	220	299	10.08-03.11	*
3.2 FSI quattro (BYU)		Gasolina	4WD	3123	183	249	09.06-10.08	*
3.2 FSI (AUK)		Gasolina	FWD	3123	188	255	05.04-05.09	*
3.2 FSI (BKH)		Gasolina	FWD	3123	188	255	05.04-05.09	*
3.2 FSI quattro (AUK)		Gasolina	4WD	3123	188	255	05.04-10.08	*
3.2 FSI quattro (BKH)		Gasolina	4WD	3123	188	255	05.04-10.08	*
3.2 FSI (CALA)		Gasolina	FWD	3197	195	265	05.09-03.11	*
4.2 quattro (BAT)		Gasolina	4WD	4163	246	335	05.04-05.06	*
4.2 quattro (BNK)		Gasolina	4WD	4163	246	335	05.04-05.06	*
4.2 FSI quattro (BVJ)		Gasolina	4WD	4163	257	350	06.06-03.11	*
RS6 quattro (BUH)		Gasolina	4WD	4991	426	580	09.08-08.10	*
S6 quattro (BXA)		Gasolina	4WD	5204	320	435	03.06-03.11	*
2.0 TDI (BVG)		Diesel	FWD	1968	89	121	09.05-06.06	*
2.0 TDI (BNA)		Diesel	FWD	1968	100	136	07.04-03.11	*
2.0 TDI (BRF)		Diesel	FWD	1968	100	136	07.04-03.11	*
2.0 TDI (CAGB)		Diesel	FWD	1968	100	136	07.04-03.11	*

LISTA DE APLICACIONES - BUYERS GUIDE

2.0 TDI (BLB)		Diesel	FWD	1968	103	140	07.04-10.08	*
2.0 TDI (BRE)		Diesel	FWD	1968	103	140	07.04-10.08	*
2.0 TDI (CAHB)		Diesel	FWD	1968	120	163	04.09-03.11	*
2.0 TDI (CAHA)		Diesel	FWD	1968	125	170	11.08-03.11	*
2.7 TDI (BSG)		Diesel	FWD	2698	120	163	11.04-03.11	*
2.7 TDI (CANB)		Diesel	FWD	2698	120	163	11.04-03.11	*
2.7 TDI quattro (BSG)		Diesel	4WD	2698	120	163	06.05-03.11	*
2.7 TDI quattro (CAND)		Diesel	4WD	2698	120	163	06.05-03.11	*
2.7 TDI (BPP)		Diesel	FWD	2698	132	180	11.04-10.08	*
2.7 TDI quattro (BPP)		Diesel	4WD	2698	132	180	11.04-10.08	*
2.7 TDI (CANA)		Diesel	FWD	2698	140	190	10.08-03.11	*
2.7 TDI quattro (CANC)		Diesel	4WD	2698	140	190	10.08-03.11	*
3.0 TDI quattro (BNG)		Diesel	4WD	2967	155	211	05.04-03.11	*
3.0 TDI quattro (CDYB)		Diesel	4WD	2967	155	211	05.04-03.11	*
3.0 TDI quattro (BMK)		Diesel	4WD	2967	165	225	05.04-05.06	*
3.0 TDI		Diesel	RWD	2967	171	232	06.06-03.11	*
3.0 TDI quattro (ASB)		Diesel	4WD	2967	171	233	06.06-10.08	*
3.0 TDI quattro (CDYA)		Diesel	4WD	2967	176	240	10.08-03.11	*
3.0 TDI quattro (CDYC)		Diesel	4WD	2967	176	240	10.08-03.11	*
A8 (U.S.A. D2) 09.96-12.02							Sedán (Luxury car-F Segment)	
4.2 40V Quattro SP		Gasolina	FWD	4195			09.96-	*
4.2 40V Quattro SP 17" Long		Gasolina	FWD	4195			09.96-	*
4.2 40V Quattro SP 17" Long		Gasolina	FWD	4195			09.96-	*
4.2 40V Quattro SP 17" Long		Gasolina	FWD	4195			09.96-	*
6.0 48V Quattro		Gasolina	FWD	5995	331	450	09.96-	*
6.0 48V Quattro		Gasolina	FWD	5995	331	450	09.96-	*
6.0 48V Quattro 17/18" Long		Gasolina	FWD	5995	331	450	09.96-	*
6.0 48V Quattro 17/18" Long		Gasolina	FWD	5995	331	450	09.96-	*
A8 II D3 (4E2, 4E8) 10.02-12.10							Sedán (Luxury car-F Segment)	
2.8 FSI (BDX)		Gasolina	FWD	2773	154	210	08.07-07.10	*
2.8 FSI		Gasolina	FWD	2773	170	231	01.09-07.10	*
3.0 (BBJ)		Gasolina	FWD	2976	160	218	07.03-05.06	*
3.0 quattro (BBJ)		Gasolina	4WD	2976	160	218	11.03-05.04	*
3.0 (ASN)		Gasolina	FWD	2976	162	220	07.03-05.05	*
3.0 quattro		Gasolina	4WD	2976	162	220	07.03-05.05	*
3.2 FSI (BPK)		Gasolina	FWD	3123	191	260	06.05-07.10	*
3.2 FSI quattro (BPK)		Gasolina	4WD	3123	191	260	06.05-07.10	*
3.7 quattro (BFL)		Gasolina	4WD	3697	206	280	10.02-05.06	*
4.2 FSI quattro (BVJ)		Gasolina	4WD	4163	257	350	06.06-07.10	*
4.2 quattro (BFM)		Gasolina	4WD	4172	246	335	10.02-07.10	*
4.2 quattro (BGK)		Gasolina	4WD	4172	246	335	10.02-07.10	*
S 8		Gasolina	FWD	4172	268	364	09.03-12.04	*
S8 quattro (BSM)		Gasolina	4WD	5204	324	441	09.06-07.10	*
S8 quattro (BSM)		Gasolina	4WD	5204	331	450	06.06-07.10	*
6.0 W12 quattro (BHT)		Gasolina	4WD	5998	331	450	12.03-07.10	*
6.0 W12 quattro (BSB)		Gasolina	4WD	5998	331	450	12.03-07.10	*
6.0 W12 quattro (BTE)		Gasolina	4WD	5998	331	450	12.03-07.10	*
3.0 TDI quattro (BNG)		Diesel	4WD	2967	155	211	11.03-07.10	*
3.0 TDI quattro (ASB)		Diesel	4WD	2967	171	233	08.03-07.10	*
4.0 TDI quattro (ASE)		Diesel	4WD	3936	202	275	05.03-07.05	*
4.2 TDI quattro (BMC)		Diesel	4WD	4134	235	320	01.05-06.05	*

LISTA DE APLICACIONES - BUYERS GUIDE

4.2 TDI quattro (BVN)	Diesel	4WD	4134	240	326	07.05-07.10	*
BENTLEY							
CONTINENTAL III (3W_, 394) 06.06-				Cabrio (Luxury car-F Segment)			
4.0 GTC AWD (CMMC)	Gasolina	4WD	3993	373	507	02.12-07.18	*
4.0 GTC AWD (CYCB)	Gasolina	4WD	3993	373	507	02.12-07.18	*
4.0 AWD (CMMD)	Gasolina	4WD	3993	388	528	01.13-07.18	*
4.0 AWD (CYCA)	Gasolina	4WD	3993	388	528	01.13-07.18	*
6.0 AWD (BEB)	Gasolina	4WD	5998	412	560	06.06-04.11	*
6.0 AWD (BWR)	Gasolina	4WD	5998	412	560	06.06-04.11	*
6.0 AWD (CKHD)	Gasolina	4WD	5998	412	560	06.06-04.11	*
6.0 AWD (CKHB)	Gasolina	4WD	5998	423	575	11.11-07.18	*
6.0 AWD (CVAB)	Gasolina	4WD	5998	423	575	11.11-07.18	*
6.0 AWD (DBDA)	Gasolina	4WD	5998	434	590	05.15-07.18	*
6.0 GTC Speed A las 4 ruedas (BWRA)	Gasolina	4WD	5998	448	610	08.07-04.11	*
6.0 GTC Speed A las 4 ruedas (CKHC)	Gasolina	4WD	5998	448	610	08.07-04.11	*
6.0 GTC Speed AWD (CVAA)	Gasolina	4WD	5998	460	626	09.12-07.18	*
6.0 GTC Speed AWD (CVAC)	Gasolina	4WD	5998	467	635	05.14-07.18	*
6.0 GTC Speed AWD (DBDE)	Gasolina	4WD	5998	467	635	05.14-07.18	*
6.0 AWD (DBDD)	Gasolina	4WD	5998	472	642	10.17-07.18	*
6.0 AWD (DJLA)	Gasolina	4WD	5998	522	710	01.17-05.18	*
4.0 FLEX AWD (CMMC)	Gasol./Etanol	4WD	3993	373	507	02.12-07.18	*
4.0 FLEX AWD (CYCB)	Gasol./Etanol	4WD	3993	373	507	02.12-07.18	*
6.0 FLEX AWD (CKHB)	Gasol./Etanol	4WD	5998	423	575	09.11-12.15	*
6.0 FLEX AWD (DBDA)	Gasol./Etanol	4WD	5998	434	590	05.15-07.18	*
6.0 FLEX AWD (CKHA)	Gasol./Etanol	4WD	5998	463	630	03.10-12.13	*
6.0 CS ISR (CKHE)	Gasol./Etanol	4WD	5998	471	641	03.11-06.14	*
6.0 CS ISR (CVAC)	Gasol./Etanol	4WD	5998	471	641	03.11-06.14	*
CONTINENTAL III (3W_, 393) 06.03-				Coupé (Luxury car-F Segment)			
4.0 (CMMC)	Gasolina	4WD	3993	373	507	09.11-07.18	*
4.0 (CYCB)	Gasolina	4WD	3993	373	507	09.11-07.18	*
4.0 (CMMD)	Gasolina	4WD	3993	388	528	01.14-07.18	*
4.0 (CYCA)	Gasolina	4WD	3993	388	528	01.14-07.18	*
6.0 GT (BEB)	Gasolina	4WD	5998	412	560	06.03-12.11	*
6.0 GT (BWR)	Gasolina	4WD	5998	412	560	06.03-12.11	*
6.0 (CKHB)	Gasolina	4WD	5998	423	575	01.11-07.18	*
6.0 (CVAB)	Gasolina	4WD	5998	423	575	01.11-07.18	*
6.0 AWD (DBDA)	Gasolina	4WD	5998	434	590	05.15-07.18	*
6.0 GT Speed (BWRA)	Gasolina	4WD	5998	449	610	09.07-12.11	*
6.0 (CVAA)	Gasolina	4WD	5998	460	626	09.12-07.18	*
6.0 Supersports (BWRB)	Gasolina	4WD	5998	463	630	10.09-12.11	*
6.0 Supersports (CKHA)	Gasolina	4WD	5998	463	630	10.09-12.11	*
6.0 GT Speed (CVAC)	Gasolina	4WD	5998	467	635	05.14-05.16	*
6.0 GT Speed (DBDE)	Gasolina	4WD	5998	467	635	05.14-05.16	*
6.0 GT Speed (DBDD)	Gasolina	4WD	5998	472	642	05.16-07.18	*
6.0 Supersports AWD	Gasolina	4WD	5998	522	710	01.17-07.18	*
4.0 FLEX (CMMC)	Gasol./Etanol	4WD	3993	373	507	04.12-07.18	*

LISTA DE APLICACIONES - BUYERS GUIDE

4.0 FLEX (DCCA)		Gasol./Etanol	4WD	3993	426	579	10.14-07.18	*	
6.0 FLEX (CKHB)		Gasol./Etanol	4WD	5998	423	575	11.10-12.13	*	
6.0 FLEX (DBDA)		Gasol./Etanol	4WD	5998	434	590	05.15-07.18	*	
6.0 FLEX (BWRB)		Gasol./Etanol	4WD	5998	463	630	02.08-05.10	*	
6.0 FLEX (CKHA)		Gasol./Etanol	4WD	5998	463	630	02.08-05.10	*	
CONTINENTAL III FLYING SPUR (3W_) 03.05-					Sedán (Luxury car-F Segment)				
6.0 (BEB)		Gasolina	4WD	5998	412	560	03.05-12.10	*	
6.0 (BWR)		Gasolina	4WD	5998	412	560	03.05-12.10	*	
6.0 (MTBHT)		Gasolina	4WD	5998	428	582	09.10-12.12	*	
6.0 Speed (BWRA)		Gasolina	4WD	5998	449	610	09.08-12.10	*	
6.0 FLEX (CKHD)		Gasol./Etanol	4WD	5998	412	560	06.10-12.13	*	
6.0 FLEX (MTBHT)		Gasol./Etanol	4WD	5998	428	582	09.10-12.12	*	
6.0 FLEX (BWRA)		Gasol./Etanol	4WD	5998	449	610	09.08-02.13	*	
6.0 FLEX (CKHC)		Gasol./Etanol	4WD	5998	449	610	09.08-02.13	*	
FLYING SPUR (4W_) 03.13-					Sedán (Luxury car-F Segment)				
4.0 V8 (CMMC)		Gasolina	4WD	3993	373	507	03.13-10.20	*	
4.0 V8 (CYCB)		Gasolina	4WD	3993	373	507	03.13-10.20	*	
V8 S 4.0 (CYCA)		Gasolina	4WD	3993	388	528	05.16-	*	
6.0 W12 (CVAA)		Gasolina	4WD	5998	460	626	03.13-10.20	*	
6.0 W12 (DBDB)		Gasolina	4WD	5998	460	626	03.13-10.20	*	
W12 S 6.0 (DBDE)		Gasolina	4WD	5998	467	635	11.16-	*	
4.0 FLEX (CMMC)		Gasol./Etanol	4WD	3993	373	507	03.13-	*	
4.0 FLEX (CYCB)		Gasol./Etanol	4WD	3993	373	507	03.13-	*	
FLYING SPUR II (ZG2_, Z32_) 04.19-					Sedán (Luxury car-F Segment)				
6.0 W12 TSI 4WD (ZG21BB) (DDBD)		Gasolina	4WD	5950	467	635	04.19-	*	
SEAT									
IBIZA III (6L1) 02.02-11.09					[CAMBIADO]:Fastback (Supermini car-B Segment)				
1.9 TDI Joya Racer (ASZ)		Diesel	FWD	1896	112	152	07.03-06.04	*	
VW									
CALIFORNIA T5 (7EC, 7EF, 7EG, 7HF, 7HC) 04.03-04.16					Bus (LCVs-N1 Segment)				
2.0 TSI		Gasolina	FWD	1984	110	150	07.12-08.15	*	
2.0 TSI		Gasolina	FWD	1984	150	204	05.11-08.15	*	
2.0 TSI 4motion		Gasolina	4WD	1984	150	204	07.11-08.15	*	
1.9 TDI		Diesel	FWD	1896	62	84	05.07-12.09	*	
1.9 TDI		Diesel	FWD	1896	63	85	05.07-11.09	*	
1.9 TDI		Diesel	FWD	1896	75	102	05.07-11.09	*	
1.9 TDI		Diesel	FWD	1896	77	105	05.07-11.09	*	
2.0 TDI		Diesel	FWD	1968	62	84	09.09-08.15	*	
2.0 TDI		Diesel	FWD	1968	75	102	09.09-08.15	*	
2.0 TDI		Diesel	FWD	1968	84	114	05.11-08.15	*	
2.0 TDI		Diesel	FWD	1968	100	136	05.10-08.15	*	
2.0 TDI 4motion		Diesel	4WD	1968	100	136	05.10-08.15	*	
2.0 TDI		Diesel	FWD	1968	103	140	09.09-08.15	*	
2.0 TDI 4motion		Diesel	4WD	1968	103	140	10.09-08.15	*	

LISTA DE APLICACIONES - BUYERS GUIDE

2.0 TDI		Diesel	FWD	1968	132	180	09.09-08.15	*
2.0 TDI 4motion		Diesel	4WD	1968	132	180	01.10-08.15	*
2.5 TDI		Diesel	FWD	2461	96	130	05.07-11.09	*
2.5 TDI 4motion		Diesel	4WD	2461	96	130	05.07-11.09	*
2.5 TDI		Diesel	FWD	2461	120	163	05.07-11.09	*
2.5 TDI		Diesel	FWD	2461	128	174	05.07-11.09	*
2.5 TDI 4motion		Diesel	4WD	2461	128	174	05.07-11.09	*
MULTIVAN V (7HM, 7HN, 7HF, 7EF, 7EM, 7EN) 04.03-03.16						Bus (Minibus-M2-Segment)		
2.0 (AXA)		Gasolina	FWD	1984	85	115	11.03-08.15	*
2.0 TSI (CJKB)		Gasolina	FWD	1984	110	150	07.12-08.15	*
2.0 TSI (CJKA)		Gasolina	FWD	1984	150	204	05.11-08.15	*
2.0 TSI 4motion (CJKA)		Gasolina	4WD	1984	150	204	07.11-08.15	*
3.2		Gasolina	FWD	3189	170	231	11.03-06.06	*
VR6 3.2 (BDL)		Gasolina	FWD	3189	170	231	02.04-06.04	*
VR6 3.2 (BKK)		Gasolina	FWD	3189	173	235	02.04-12.09	*
VR6 3.2 (CFLA)		Gasolina	FWD	3189	173	235	02.04-12.09	*
VR6 3.2 4motion (BKK)		Gasolina	4WD	3189	173	235	07.04-12.09	*
VR6 3.2 4motion (CFLA)		Gasolina	4WD	3189	173	235	07.04-12.09	*
1.9 TDI (BRR)		Diesel	FWD	1896	62	84	01.06-11.09	*
1.9 TDI (AXC)		Diesel	FWD	1896	63	85	04.03-11.09	*
1.9 TDI (BRS)		Diesel	FWD	1896	75	102	01.06-11.09	*
1.9 TDI (AXB)		Diesel	FWD	1896	77	105	04.03-11.09	*
2.0 TDI (CAAA)		Diesel	FWD	1968	62	84	09.09-08.15	*
2.0 TDI (CAAB)		Diesel	FWD	1968	75	102	09.09-08.15	*
2.0 TDI (CAAD)		Diesel	FWD	1968	84	114	05.11-08.15	*
2.0 TDI (CAAE)		Diesel	FWD	1968	100	136	05.10-08.15	*
2.0 TDI (CCHB)		Diesel	FWD	1968	100	136	05.10-08.15	*
2.0 TDI 4motion (CAAE)		Diesel	4WD	1968	100	136	05.10-08.15	*
2.0 TDI 4motion (CCHB)		Diesel	4WD	1968	100	136	05.10-08.15	*
2.0 TDI (CAAC)		Diesel	FWD	1968	103	140	09.09-08.15	*
2.0 TDI (CCHA)		Diesel	FWD	1968	103	140	09.09-08.15	*
2.0 TDI 4motion (CAAC)		Diesel	4WD	1968	103	140	09.09-08.15	*
2.0 TDI 4motion (CCHA)		Diesel	4WD	1968	103	140	09.09-08.15	*
2.0 BiTDI (CFCA)		Diesel	FWD	1968	132	180	09.09-08.15	*
2.0 BiTDI 4motion (CFCA)		Diesel	4WD	1968	132	180	09.09-08.15	*
2.5 TDI (AXD)		Diesel	FWD	2461	96	130	04.03-11.09	*
2.5 TDI (BNZ)		Diesel	FWD	2461	96	130	04.03-11.09	*
2.5 TDI 4motion (AXD)		Diesel	4WD	2461	96	130	07.04-11.09	*
2.5 TDI 4motion (BNZ)		Diesel	4WD	2461	96	130	07.04-11.09	*
2.5 TDI (BLJ)		Diesel	FWD	2461	120	163	11.03-11.09	*
2.5 TDI (AXE)		Diesel	FWD	2461	128	174	04.03-11.09	*
2.5 TDI (BPC)		Diesel	FWD	2461	128	174	04.03-11.09	*
2.5 TDI 4motion (AXE)		Diesel	4WD	2461	128	174	07.04-11.09	*
2.5 TDI 4motion (BPC)		Diesel	4WD	2461	128	174	07.04-11.09	*
MULTIVAN VI (SGF, SGM, SGN, SHM, SHN) 04.15-						Bus (Minibus-M2-Segment)		
2.0 TDI (CXHC)		Diesel	FWD	1968	81	110	07.19-08.24	*
TRANSPORTER T5 (7JD, 7JE, 7JL, 7JY, 7JZ, 7FD, 7FE, 7FL, 7FY, 7FZ) 04.03-03.16						Caja/Chasis (LCVs-N1 Segment)		
2.0 (AXA)		Gasolina	FWD	1984	85	115	11.03-05.13	*
2.0 TSI (CJKB)		Gasolina	FWD	1984	110	150	07.12-08.15	*
VR6 3.2 (BDL)		Gasolina	FWD	3189	170	231	02.04-11.09	*

LISTA DE APLICACIONES - BUYERS GUIDE

VR6 3.2 4motion (BDL)		Gasolina	4WD	3189	170	231	11.03-11.09	*
VR6 3.2 (BKK)		Gasolina	FWD	3189	173	235	08.03-11.09	*
VR6 3.2 4motion		Gasolina	4WD	3189	173	235	11.03-11.09	*
2.0 CNG (AXA)		Gasol./Gas (CNG)	FWD	1984	85	115	11.03-05.11	*
1.9 TDI (BRR)		Diesel	FWD	1896	62	84	01.06-11.09	*
1.9 TDI (AXC)		Diesel	FWD	1896	63	85	04.03-11.09	*
1.9 TDI (BRS)		Diesel	FWD	1896	75	102	01.06-11.09	*
1.9 TDI (AXB)		Diesel	FWD	1896	77	105	04.03-11.09	*
2.0 TDI (CAAA)		Diesel	FWD	1968	62	84	09.09-08.15	*
2.0 TDI (CAAB)		Diesel	FWD	1968	75	102	09.09-08.15	*
2.0 TDI (CAAD)		Diesel	FWD	1968	84	114	05.11-08.15	*
2.0 TDI (CAAE)		Diesel	FWD	1968	100	136	05.10-08.15	*
2.0 TDI 4motion (CAAE)		Diesel	4WD	1968	100	136	05.10-08.15	*
2.0 TDI 4motion (CCHB)		Diesel	4WD	1968	100	136	05.10-08.15	*
2.0 TDI (CAAC)		Diesel	FWD	1968	103	140	09.09-08.15	*
2.0 TDI (CCHA)		Diesel	FWD	1968	103	140	09.09-08.15	*
2.0 TDI 4motion (CAAC)		Diesel	4WD	1968	103	140	09.09-08.15	*
2.0 TDI 4motion (CCHA)		Diesel	4WD	1968	103	140	09.09-08.15	*
2.0 BiTDI (CFCA)		Diesel	FWD	1968	132	180	09.09-08.15	*
2.0 BiTDI 4motion (CFCA)		Diesel	4WD	1968	132	180	09.09-08.15	*
2.5 TDI (AXD)		Diesel	FWD	2461	96	130	04.03-11.09	*
2.5 TDI (BNZ)		Diesel	FWD	2461	96	130	04.03-11.09	*
2.5 TDI 4motion (AXD)		Diesel	4WD	2461	96	130	07.04-11.09	*
2.5 TDI 4motion (BNZ)		Diesel	4WD	2461	96	130	07.04-11.09	*
2.5 TDI (AXE)		Diesel	FWD	2461	128	174	04.03-11.09	*
2.5 TDI (BPC)		Diesel	FWD	2461	128	174	04.03-11.09	*
2.5 TDI 4motion (AXE)		Diesel	4WD	2461	128	174	04.04-11.09	*
2.5 TDI 4motion (BPC)		Diesel	4WD	2461	128	174	04.04-11.09	*
TRANSPORTER T5 / EUROVAN / KOMBI-CARAVALLE (7HB, 7HJ, 7EB, 7EJ) 04.03-03.16							Bus (Minibus-M2-Segment)	
2.0 (AXA)		Gasolina	FWD	1984	85	115	11.03-08.15	*
2.0 TSI (CJKB)		Gasolina	FWD	1984	110	150	07.12-08.15	*
2.0 TSI (CJKA)		Gasolina	FWD	1984	150	204	05.11-08.15	*
2.0 TSI 4motion (CJKA)		Gasolina	4WD	1984	150	204	07.11-08.15	*
2.5		Gasolina	FWD	2461	82	112	09.03-12.04	*
3.2		Gasolina	FWD	3189	170	231	11.03-06.06	*
VR6 3.2 (BDL)		Gasolina	FWD	3189	170	231	02.04-06.04	*
VR6 3.2 4motion (BDL)		Gasolina	4WD	3189	170	231	11.03-11.09	*
3.2 V6 4motion (BKK)		Gasolina	4WD	3189	173	235	11.03-12.09	*
3.2 V6 4motion (CFLA)		Gasolina	4WD	3189	173	235	11.03-12.09	*
VR6 3.2 (BKK)		Gasolina	FWD	3189	173	235	02.04-11.09	*
VR6 3.2 (CFLA)		Gasolina	FWD	3189	173	235	02.04-11.09	*
2.0 CNG (AXA)		Gasol./Gas (CNG)	FWD	1984	85	115	01.06-08.15	*
1.9 TDI (BRR)		Diesel	FWD	1896	62	84	01.06-11.09	*
1.9 TDI (AXC)		Diesel	FWD	1896	63	85	04.03-11.09	*
1.9 TDI (BRS)		Diesel	FWD	1896	75	102	01.06-11.09	*
1.9 TDI (AXB)		Diesel	FWD	1896	77	105	04.03-11.09	*
2.0 TDI (CAAA)		Diesel	FWD	1968	62	84	09.09-08.15	*
2.0 TDI (CAAB)		Diesel	FWD	1968	75	102	09.09-08.15	*
2.0 TDI (CAAD)		Diesel	FWD	1968	84	114	05.11-08.15	*

LISTA DE APLICACIONES - BUYERS GUIDE

2.0 TDI (CSDA)		Diesel	FWD	1968	85	116	05.11-08.15	*
2.0 TDI (CAAE)		Diesel	FWD	1968	100	136	05.10-08.15	*
2.0 TDI (CCHB)		Diesel	FWD	1968	100	136	05.10-08.15	*
2.0 TDI 4motion (CAAE)		Diesel	4WD	1968	100	136	05.10-08.15	*
2.0 TDI 4motion (CCHB)		Diesel	4WD	1968	100	136	05.10-08.15	*
2.0 TDI (CAAC)		Diesel	FWD	1968	103	140	09.09-08.15	*
2.0 TDI (CCHA)		Diesel	FWD	1968	103	140	09.09-08.15	*
2.0 TDI 4motion (CAAC)		Diesel	4WD	1968	103	140	09.09-08.15	*
2.0 TDI 4motion (CCHA)		Diesel	4WD	1968	103	140	09.09-08.15	*
2.0 BiTDI (CFCA)		Diesel	FWD	1968	132	180	09.09-08.15	*
2.0 BiTDI 4motion (CFCA)		Diesel	4WD	1968	132	180	09.09-08.15	*
2.5 TDI (AXD)		Diesel	FWD	2461	96	130	04.03-11.09	*
2.5 TDI (AXE)		Diesel	FWD	2461	96	130	04.03-11.09	*
2.5 TDI (BNZ)		Diesel	FWD	2461	96	130	04.03-11.09	*
2.5 TDI 4motion (AXD)		Diesel	4WD	2461	96	130	07.04-11.09	*
2.5 TDI 4motion (BNZ)		Diesel	4WD	2461	96	130	07.04-11.09	*
2.5 TDI (BLJ)		Diesel	FWD	2461	120	163	11.03-11.09	*
2.5 TDI (AXE)		Diesel	FWD	2461	128	174	04.03-11.09	*
2.5 TDI (BPC)		Diesel	FWD	2461	128	174	04.03-11.09	*
2.5 TDI 4motion (AXE)		Diesel	4WD	2461	128	174	07.04-11.09	*
2.5 TDI 4motion (BPC)		Diesel	4WD	2461	128	174	07.04-11.09	*
TRANSPORTER T5 / KOMBI (7HA, 7HH, 7EA, 7EH) 04.03-08.15							[CAMBIADO]:Furgón (LCVs-N1 Segment)	
2.0 (AXA)		Gasolina	FWD	1984	85	115	11.03-08.15	*
2.0 TSI (CJKB)		Gasolina	FWD	1984	110	150	07.12-08.15	*
2.0 TSI (CJKA)		Gasolina	FWD	1984	150	204	05.11-08.15	*
2.0 TSI 4motion (CJKA)		Gasolina	4WD	1984	150	204	07.11-08.15	*
3.2		Gasolina	FWD	3189	170	231	11.03-06.06	*
VR6 3.2 (BDL)		Gasolina	FWD	3189	170	231	04.03-06.05	*
VR6 3.2 4motion		Gasolina	4WD	3189	170	231	04.03-06.05	*
VR6 3.2 (BKK)		Gasolina	FWD	3189	173	235	02.04-11.09	*
VR6 3.2 (CFLA)		Gasolina	FWD	3189	173	235	02.04-11.09	*
VR6 3.2 4motion (BKK)		Gasolina	4WD	3189	173	235	11.03-11.09	*
VR6 3.2 4motion (CFLA)		Gasolina	4WD	3189	173	235	11.03-11.09	*
2.0 BiFuel (AXA)		Gasol./Gas (CNG)	FWD	1984	85	115	06.07-08.15	*
1.9 TDI (BRR)		Diesel	FWD	1896	62	84	01.06-11.09	*
1.9 TDI (AXC)		Diesel	FWD	1896	63	85	04.03-11.09	*
1.9 TDI (BRS)		Diesel	FWD	1896	75	102	01.06-11.09	*
1.9 TDI (AXB)		Diesel	FWD	1896	77	105	04.03-11.09	*
2.0 TDI (CAAA)		Diesel	FWD	1968	62	84	09.09-08.15	*
2.0 TDI (CAAB)		Diesel	FWD	1968	75	102	09.09-08.15	*
2.0 TDI (CAAD)		Diesel	FWD	1968	84	114	05.11-08.15	*
2.0 TDI (CAAE)		Diesel	FWD	1968	100	136	05.10-08.15	*
2.0 TDI (CCHB)		Diesel	FWD	1968	100	136	05.10-08.15	*
2.0 TDI 4motion (CAAE)		Diesel	4WD	1968	100	136	05.10-08.15	*
2.0 TDI 4motion (CCHB)		Diesel	4WD	1968	100	136	05.10-08.15	*
2.0 TDI (CAAC)		Diesel	FWD	1968	103	140	09.09-08.15	*
2.0 TDI (CCHA)		Diesel	FWD	1968	103	140	09.09-08.15	*
2.0 TDI 4motion (CAAC)		Diesel	4WD	1968	103	140	09.09-08.15	*
2.0 TDI 4motion (CCHA)		Diesel	4WD	1968	103	140	09.09-08.15	*
2.0 BiTDI (CFCA)		Diesel	FWD	1968	132	180	09.09-08.15	*

LISTA DE APLICACIONES - BUYERS GUIDE

2.0 BiTDI 4motion (CFCA)	Diesel	4WD	1968	132	180	09.09-08.15	*
2.5 TDI (AXD)	Diesel	FWD	2461	96	130	04.03-11.09	*
2.5 TDI (BNZ)	Diesel	FWD	2461	96	130	04.03-11.09	*
2.5 TDI 4motion (AXD)	Diesel	4WD	2461	96	130	07.04-11.09	*
2.5 TDI 4motion (BNZ)	Diesel	4WD	2461	96	130	07.04-11.09	*
2.5 TDI (AXE)	Diesel	FWD	2461	128	174	04.03-11.09	*
2.5 TDI (BPC)	Diesel	FWD	2461	128	174	04.03-11.09	*
2.5 TDI 4motion (AXE)	Diesel	4WD	2461	128	174	07.04-11.09	*
2.5 TDI 4motion (BPC)	Diesel	4WD	2461	128	174	07.04-11.09	*
TRANSPORTER T6 (SGA, SGH, SHA, SHH) 04.15-					[CAMBIADO]:Furgón (LCVs-N1 Segment)		
2.0 TDI (CXGD)	Diesel	FWD	1968	66	90	10.19-08.24	*
2.0 TDI 4motion (CXC)	Diesel	4WD	1968	146	199	08.18-08.24	*
TRANSPORTER T6 / CALIFORNIA / CARAVELLE (SGB, SGJ, SHB, SHJ) 04.15-					Bus (Minibus-M2-Segment)		
2.0 TDI (CXC)	Diesel	FWD	1968	146	199	08.18-08.24	*
2.0 TDI 4motion (CXC)	Diesel	4WD	1968	146	199	08.18-08.24	*