

LISTA DE APLICACIONES - BUYERS GUIDE

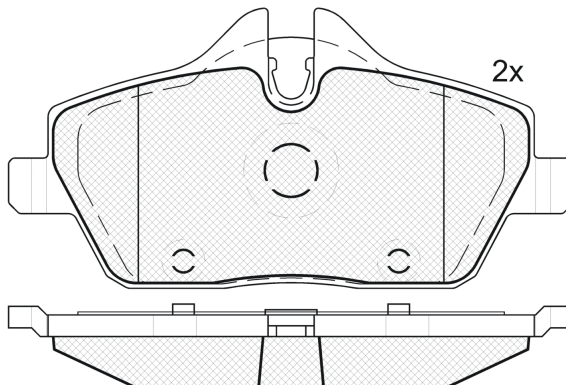
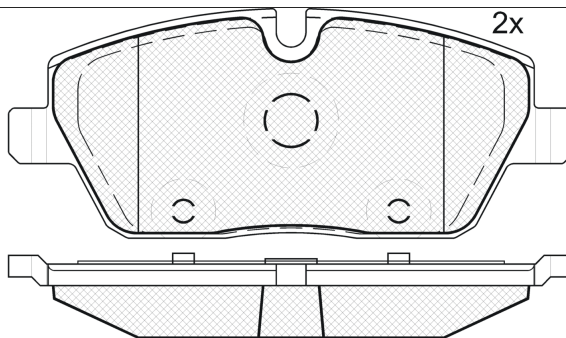
RB1662-700



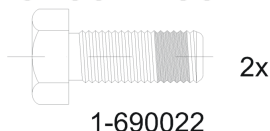
Qty: 300

Weight: 1.490

O.E.M.	MAKE
34 10 6 874 809	BMW
34 11 2 288 854	BMW
34 11 2 288 855	BMW
34 11 6 767 143	BMW
34 11 6 767 144	BMW
34 11 6 771 837	BMW
34 11 6 771 838	BMW
34 11 6 774 050	BMW



181662-700



RB1662-700

E 9 90R-01111/974



Trw

131.3x53.33x17.8

131.3x65.05x17.8

WVA	FMSI
23915	D1308-9684
23916	
24165	

Sin Filas



Trac.	CC	Kw	CV
-------	----	----	----



Front / Rear

BMW

1 Serie (E87) 02.03-12.13						[CAMBIADO]:Fastback (Compact car-C Segment)		
116 i (N45 B16 A)		Gasolina	RWD	1596	85	115	06.04-06.11	*
116 i (N45 B16 A)		Gasolina	RWD	1596	85	115	09.07-12.11	*
116 i		Gasolina	RWD	1599	89	121	03.07-06.11	*
116 i (N43 B16 AA)		Gasolina	RWD	1599	90	122	09.07-06.11	*
116 i (N43 B16 AA)		Gasolina	RWD	1599	90	122	03.07-12.11	*
116 i (N43 B20 A)		Gasolina	RWD	1995	90	122	01.09-06.11	*
116 i (N43 B20 A)		Gasolina	RWD	1995	90	122	11.08-12.11	*
118 i (N46 B20 B)		Gasolina	RWD	1995	95	129	07.04-02.07	*
118 i		Gasolina	FWD	1995	95	129	09.06-09.12	*
118 i (N46 B20 B)		Gasolina	RWD	1995	95	129	09.06-02.08	*
118 i (N46 B20 B)		Gasolina	RWD	1995	100	136	10.06-06.11	*
118 i (N46 B20 B)		Gasolina	RWD	1995	100	136	09.06-12.11	*
118 i (N43 B20 A)		Gasolina	RWD	1995	105	143	09.06-06.11	*
118 i (N43 B20 A)		Gasolina	RWD	1995	105	143	09.06-12.11	*
120 i (N46 B20 B)		Gasolina	RWD	1995	110	150	06.04-02.07	*
120 i (N46 B20 BD)		Gasolina	RWD	1995	110	150	06.04-02.07	*
120 i (N46 B20 C)		Gasolina	RWD	1995	110	150	06.04-02.07	*
120 i (N46 B20 CC)		Gasolina	RWD	1995	110	150	06.04-02.07	*
120 i (N46 B20 A)		Gasolina	RWD	1995	115	156	03.07-06.11	*
120 i (N46 B20 B)		Gasolina	RWD	1995	115	156	03.07-06.11	*
120 i (N46 B20 BD)		Gasolina	RWD	1995	115	156	03.07-06.11	*
120 i (N46 B20 C)		Gasolina	RWD	1995	115	156	03.07-06.11	*
120 i (N46 B20 CC)		Gasolina	RWD	1995	115	156	03.07-06.11	*

LISTA DE APLICACIONES - BUYERS GUIDE

120 i (N46 B20 B)		Gasolina	RWD	1995	115	156	03.07-12.11	*
120 i (N46 B20 C)		Gasolina	RWD	1995	115	156	03.07-12.11	*
120 i (N43 B20 A)		Gasolina	RWD	1995	120	163	03.07-12.11	*
118 i (N43 B20 A)		Gasolina	RWD	1995	125	170	03.07-12.07	*
116 d (N47 D20 C)		Diesel	RWD	1995	66	90	01.11-12.11	*
116 d (N47 D20 A)		Diesel	RWD	1995	66	90	01.11-12.11	*
116 d (N47 D20 C)		Diesel	RWD	1995	66	90	01.11-12.11	*
116 d (N47 D20 A)		Diesel	RWD	1995	85	116	03.09-06.11	*
116 d (N47 D20 C)		Diesel	RWD	1995	85	116	03.09-06.11	*
116 d (N47 D20 A)		Diesel	RWD	1995	85	116	11.08-12.11	*
116 d (N47 D20 C)		Diesel	RWD	1995	85	116	11.08-12.11	*
118 d (M47 D20 (204D4))		Diesel	RWD	1995	90	122	06.04-02.07	*
118 d		Diesel	RWD	1995	90	122	09.06-09.12	*
118 d (N47 D20 A)		Diesel	RWD	1995	100	136	03.07-06.11	*
118 d (N47 D20 C)		Diesel	RWD	1995	100	136	03.07-06.11	*
118 d (N47 D20 A)		Diesel	RWD	1995	100	136	09.06-12.11	*
118 d (N47 D20 C)		Diesel	RWD	1995	100	136	09.06-12.11	*
118 d (N47 D20 A)		Diesel	RWD	1995	105	143	03.07-06.11	*
118 d (N47 D20 C)		Diesel	RWD	1995	105	143	03.07-06.11	*
118 d (N47 D20 A)		Diesel	RWD	1995	105	143	09.06-12.11	*
118 d (N47 D20 C)		Diesel	RWD	1995	105	143	09.06-12.11	*
1 Serie (E88) 12.07-12.13					Cabrio (Compact car-C Segment)			
118 i (N46 B20 B)		Gasolina	RWD	1995	100	136	09.08-12.13	*
118 i (N43 B20 A)		Gasolina	RWD	1995	105	143	03.08-10.13	*
118 d (N47 D20 A)		Diesel	RWD	1995	100	136	09.08-12.13	*
118 d (N47 D20 C)		Diesel	RWD	1995	100	136	09.08-12.13	*
118 d (N47 D20 A)		Diesel	RWD	1995	105	143	09.08-12.13	*
118 d (N47 D20 C)		Diesel	RWD	1995	105	143	09.08-12.13	*
1 Serie (E82) 10.06-10.13					Coupé (Compact car-C Segment)			
118 d (N47 D20 C)		Diesel	RWD	1995	100	136	09.09-10.13	*
118 d (N47 D20 C)		Diesel	RWD	1995	105	143	09.09-10.13	*
2 Active Tourer (F45) 11.13-					MPV (Compact car-C Segment)			
214 d (B37 C15 A)		Diesel	FWD	1496	70	95	07.14-02.18	*
MINI								
MINI (F57) 11.14-					Cabrio (Supermini car-B Segment)			
Cooper SE		Eléctrico	FWD		135	184	04.23-	*