

LISTA DE APLICACIONES - BUYERS GUIDE

RB1656-700

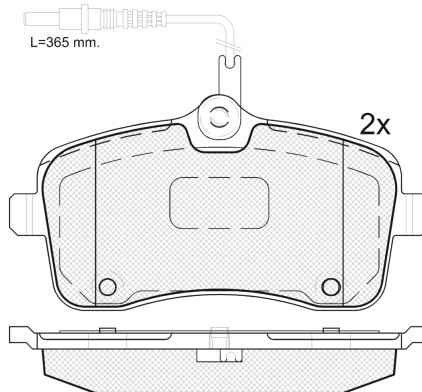
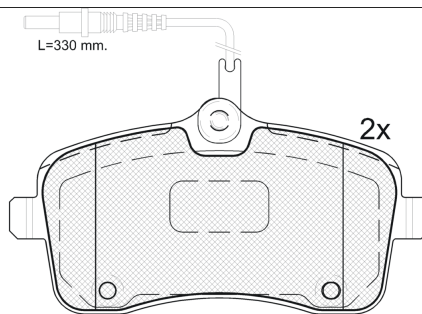


8 424073 132994

Qty: 300

Weight: 1.828

O.E.M.	MAKE
16 114 565 80	PEUGEOT
16 172 594 80	PEUGEOT
4252.77	PEUGEOT
4253.35	PEUGEOT
4253.47	PEUGEOT
4254.22	PEUGEOT
86 60 004 761	RENAULT
86 71 016 741	RENAULT
E172236	PEUGEOT



RB1656-700

E 9 90R-01111/969



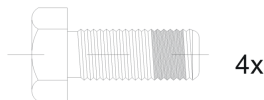
Trw

131.4x67.5x19.5

WVA	FMSI
24134	D1948-9173
24175	
24901	

Sin Filas

181656-700



1-690042



Trac.	CC	Kw	CV	Hourglass	Front / Rear
-------	----	----	----	-----------	--------------

PEUGEOT

					Coupé (Large family car-D Segment)			
407 (6C_) 10.05-								
2.0 HDi (RHR (DW10BTED4))		Diesel	FWD	1997	100	136	10.05-	*
407 (6D_) 02.04-12.13					Sedán (Large family car-D Segment)			
1.8 (6D6FZB) (6FZ (EW7J4))		Gasolina	FWD	1749	85	116	03.04-07.05	*
1.8 16V (6D6FYC) (6FY (EW7A))		Gasolina	FWD	1749	92	125	08.05-12.10	*
2.0 (6DRFNB, 6DRFNE) (RFN (EW10J4))		Gasolina	FWD	1997	100	136	03.04-07.05	*
2.0 16V (6DRFJC, 6DRFJE, 6DRFJF) (RFJ (EW10A))		Gasolina	FWD	1997	103	140	09.05-12.10	*
2.0 16V (6DRFJC, 6DRFJF)		Gasolina	FWD	1997	105	143	08.08-12.09	*
2.0 Bioflex (6DRFJB) (RFJ (EW10A))		Gasol./Etanol	FWD	1997	103	140	09.07-02.11	*
2.0 Flex (6DRFJB) (RFJ (EW10A))		Gasol./Etanol	FWD	1997	103	140	10.05-02.11	*
1.6 HDi 110 (6D9HZC, 6D9HYC) (9HZ (DV6TED4))		Diesel	FWD	1560	80	109	05.04-12.10	*
2.0 HDi (6DRHLG, 6DRHLE) (RHL (DW10BTED4))		Diesel	FWD	1997	93	126	11.04-10.07	*
2.0 HDi 135 (6DRHRH, 6DRHRE, 6DRHRG, 6DRHRJ) (RHR (DW10BTED4))		Diesel	FWD	1997	100	136	05.04-10.10	*
2.0 HDi (6DRHRH) (RHR (DW10BTED4))		Diesel	FWD	1997	103	140	06.09-12.10	*
407 SW (6E_, 6D_) 05.04-					[CAMBIADO]-Break (Large family car-D Segment)			
1.8 (6FZ (EW7J4))		Gasolina	FWD	1749	85	116	05.04-07.05	*
1.8 16V (6FY (EW7A))		Gasolina	FWD	1749	92	125	08.05-12.10	*
2.0 (RFN (EW10J4))		Gasolina	FWD	1997	100	136	05.04-07.05	*
2.0 16V (RFJ (EW10A))		Gasolina	FWD	1997	103	140	08.05-12.10	*
2.0 Bioflex (RFJ (EW10A))		Gasol./Etanol	FWD	1997	103	140	01.08-12.10	*

LISTA DE APLICACIONES - BUYERS GUIDE

2.0 Flex (RFJ (EW10A))		Gasol./Etanol	FWD	1997	103	140	10.05-02.11	*	
1.6 HDi 110 (9HZ (DV6TED4))		Diesel	FWD	1560	80	109	05.04-12.10	*	
2.0 HDi (RHL (DW10BTED4))		Diesel	FWD	1997	93	126	11.04-10.07	*	
2.0 HDi 135 (RHR (DW10BTED4))		Diesel	FWD	1997	100	136	07.04-12.10	*	
2.0 HDi (RHR (DW10BTED4))		Diesel	FWD	1997	103	140	08.08-12.10	*	
407 SW (6E_) 08.04-12.10					[CAMBIADO]:Furgón/Break (Large family car-D Segment)				
1.6 HDi (9HZ (DV6TED4))		Diesel	FWD	1560	80	109	08.04-12.10	*	
2.0 HDi (RHR (DW10BTED4))		Diesel	FWD	1997	103	140	06.09-12.10	*	