

LISTA DE APLICACIONES - BUYERS GUIDE

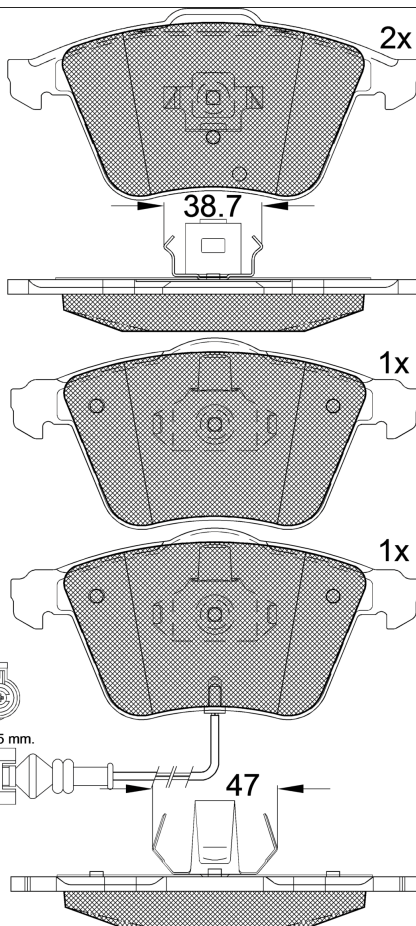
RB1653



Qty: 300

Weight: 2.160

O.E.M.	MAKE
1K0 698 151 B	VW
86 60 004 809	RENAULT
86 71 019 143	RENAULT



RB1653

E 9 90R-01111/1236



Ate - Teves

155.2x72.9x20.3
156.4x72.9x20.3

WVA	FMSI
23801	D915-7796/1
23912	
23913	
24021	

Sin Filas



Trac.	CC	Kw	CV
-------	----	----	----



Front / Rear

AUDI

						[CAMBIADO]:Fastback (Compact executive car-D Segment)			
A3 II (8P1) 05.03-12.13									
1.2 TSI (CBZB)		Gasolina	FWD	1197	77	105	04.10-08.12	*	
1.4 TFSI (CAXC)		Gasolina	FWD	1390	92	125	09.07-08.12	*	
1.4 TFSI (CMSA)		Gasolina	FWD	1390	92	125	09.07-08.12	*	
1.6 (BGU)		Gasolina	FWD	1595	75	102	05.03-08.12	*	
1.6 (BSE)		Gasolina	FWD	1595	75	102	05.03-08.12	*	
1.6 (BSF)		Gasolina	FWD	1595	75	102	05.03-08.12	*	
1.6 FSI (BAG)		Gasolina	FWD	1598	85	115	08.03-09.07	*	
1.6 FSI (BLF)		Gasolina	FWD	1598	85	115	08.03-09.07	*	
1.6 FSI (BLP)		Gasolina	FWD	1598	85	115	08.03-09.07	*	
1.8 T (BPU)		Gasolina	FWD	1781	110	150	08.06-08.12	*	
1.8 TFSI (BYT)		Gasolina	FWD	1798	118	160	11.06-08.12	*	
1.8 TFSI (BZB)		Gasolina	FWD	1798	118	160	11.06-08.12	*	
1.8 TFSI (CDAA)		Gasolina	FWD	1798	118	160	11.06-08.12	*	
1.8 TFSI quattro (CDAA)		Gasolina	4WD	1798	118	160	07.08-08.12	*	
2.0 FSI (AXW)		Gasolina	FWD	1984	110	150	05.03-06.08	*	
2.0 FSI (BLR)		Gasolina	FWD	1984	110	150	05.03-06.08	*	
2.0 FSI (BLX)		Gasolina	FWD	1984	110	150	05.03-06.08	*	
2.0 FSI (BLY)		Gasolina	FWD	1984	110	150	05.03-06.08	*	
2.0 FSI (BMB)		Gasolina	FWD	1984	110	150	05.03-06.08	*	
2.0 FSI (BVY)		Gasolina	FWD	1984	110	150	05.03-06.08	*	
2.0 FSI (BVZ)		Gasolina	FWD	1984	110	150	05.03-06.08	*	
2.0 TFSI (AXX)		Gasolina	FWD	1984	147	200	09.04-08.12	*	
2.0 TFSI (BWA)		Gasolina	FWD	1984	147	200	09.04-08.12	*	

LISTA DE APLICACIONES - BUYERS GUIDE

2.0 TFSI (CAWB)		Gasolina	FWD	1984	147	200	09.04-08.12	*
2.0 TFSI (CCZA)		Gasolina	FWD	1984	147	200	09.04-08.12	*
2.0 TFSI quattro (AXX)		Gasolina	4WD	1984	147	200	09.04-08.12	*
2.0 TFSI quattro (BWA)		Gasolina	4WD	1984	147	200	09.04-08.12	*
2.0 TFSI quattro (CBFA)		Gasolina	4WD	1984	147	200	09.04-08.12	*
2.0 TFSI quattro (CCTA)		Gasolina	4WD	1984	147	200	09.04-08.12	*
2.0 TFSI quattro (CCZA)		Gasolina	4WD	1984	147	200	09.04-08.12	*
S3 quattro (BZC)		Gasolina	4WD	1984	188	256	02.07-08.12	*
S3 quattro (CDLC)		Gasolina	4WD	1984	188	256	02.07-08.12	*
S3 quattro (BHZ)		Gasolina	4WD	1984	195	265	11.06-08.12	*
S3 quattro (CDLA)		Gasolina	4WD	1984	195	265	11.06-08.12	*
3.2 V6 quattro (BDB)		Gasolina	4WD	3189	184	250	07.03-05.09	*
3.2 V6 quattro (BMJ)		Gasolina	4WD	3189	184	250	07.03-05.09	*
3.2 V6 quattro (BUB)		Gasolina	4WD	3189	184	250	07.03-05.09	*
3.2 24V V6 Quattro		Gasolina	FWD	3195	184	250	01.06-	*
1.6 E-Power (CCSA)		Gasol./Etanol	FWD	1595	75	102	01.11-08.12	*
1.6 E-Power (CMXA)		Gasol./Etanol	FWD	1595	75	102	01.11-08.12	*
1.6 TDI (CAYB)		Diesel	FWD	1598	66	90	05.09-08.12	*
1.6 TDI (CAYC)		Diesel	FWD	1598	77	105	05.09-08.12	*
1.9 TDI (BKC)		Diesel	FWD	1896	77	105	05.03-05.10	*
1.9 TDI (BLS)		Diesel	FWD	1896	77	105	05.03-05.10	*
1.9 TDI (BXE)		Diesel	FWD	1896	77	105	05.03-05.10	*
2.0 TDI (AZV)		Diesel	FWD	1968	100	136	05.03-08.12	*
2.0 TDI (CBAA)		Diesel	FWD	1968	100	136	05.03-08.12	*
2.0 TDI (CFFA)		Diesel	FWD	1968	100	136	05.03-08.12	*
2.0 TDI (BMM)		Diesel	FWD	1968	103	140	06.05-06.08	*
2.0 TDI 16V (BKD)		Diesel	FWD	1968	103	140	05.03-08.12	*
2.0 TDI 16V (CBAB)		Diesel	FWD	1968	103	140	05.03-08.12	*
2.0 TDI 16V (CBEA)		Diesel	FWD	1968	103	140	05.03-08.12	*
2.0 TDI 16V (CFFB)		Diesel	FWD	1968	103	140	05.03-08.12	*
2.0 TDI 16V (CLJA)		Diesel	FWD	1968	103	140	05.03-08.12	*
2.0 TDI 16V quattro (BKD)		Diesel	4WD	1968	103	140	08.04-08.12	*
2.0 TDI 16V quattro (CBAB)		Diesel	4WD	1968	103	140	08.04-08.12	*
2.0 TDI 16V quattro (CFFB)		Diesel	4WD	1968	103	140	08.04-08.12	*
2.0 TDI quattro (BMM)		Diesel	4WD	1968	103	140	01.06-06.08	*
2.0 TDI (BUY)		Diesel	FWD	1968	120	163	06.06-06.08	*
2.0 TDI quattro (BMN)		Diesel	4WD	1968	125	170	03.06-08.12	*
2.0 TDI quattro (CBBB)		Diesel	4WD	1968	125	170	03.06-08.12	*
2.0 TDI quattro (CFGB)		Diesel	4WD	1968	125	170	03.06-08.12	*
A3 II Sportback (8PA) 09.04-12.15							[CAMBIADO]:Fastback (Compact executive car-D Segment)	
1.2 TSI (CBZB)		Gasolina	FWD	1197	77	105	04.10-03.13	*
1.4 TFSI (CAXC)		Gasolina	FWD	1390	92	125	09.07-03.13	*
1.4 TFSI (CMSA)		Gasolina	FWD	1390	92	125	09.07-03.13	*
1.6 (BGU)		Gasolina	FWD	1595	75	102	09.04-03.13	*
1.6 (BSE)		Gasolina	FWD	1595	75	102	09.04-03.13	*
1.6 (BSF)		Gasolina	FWD	1595	75	102	09.04-03.13	*
1.6 FSI (BLF)		Gasolina	FWD	1598	85	115	09.04-09.07	*
1.6 FSI (BLP)		Gasolina	FWD	1598	85	115	09.04-09.07	*
1.8 TFSI (BYT)		Gasolina	FWD	1798	118	160	11.06-03.13	*
1.8 TFSI (BZB)		Gasolina	FWD	1798	118	160	11.06-03.13	*

LISTA DE APLICACIONES - BUYERS GUIDE

1.8 TFSI (CDAA)	Gasolina	FWD	1798	118	160	11.06-03.13	*
1.8 TFSI quattro (CDAA)	Gasolina	4WD	1798	118	160	07.08-03.13	*
2.0 FSI (AXW)	Gasolina	FWD	1984	110	150	09.04-06.08	*
2.0 FSI (BLR)	Gasolina	FWD	1984	110	150	09.04-06.08	*
2.0 FSI (BLX)	Gasolina	FWD	1984	110	150	09.04-06.08	*
2.0 FSI (BLY)	Gasolina	FWD	1984	110	150	09.04-06.08	*
2.0 FSI (BMB)	Gasolina	FWD	1984	110	150	09.04-06.08	*
2.0 FSI (BVY)	Gasolina	FWD	1984	110	150	09.04-06.08	*
2.0 FSI (BVZ)	Gasolina	FWD	1984	110	150	09.04-06.08	*
2.0 TFSI (AXX)	Gasolina	FWD	1984	147	200	09.04-03.13	*
2.0 TFSI (BPY)	Gasolina	FWD	1984	147	200	09.04-03.13	*
2.0 TFSI (BWA)	Gasolina	FWD	1984	147	200	09.04-03.13	*
2.0 TFSI (CAWB)	Gasolina	FWD	1984	147	200	09.04-03.13	*
2.0 TFSI (CBFA)	Gasolina	FWD	1984	147	200	09.04-03.13	*
2.0 TFSI (CCTA)	Gasolina	FWD	1984	147	200	09.04-03.13	*
2.0 TFSI (CCZA)	Gasolina	FWD	1984	147	200	09.04-03.13	*
2.0 TFSI quattro (AXX)	Gasolina	4WD	1984	147	200	09.04-03.13	*
2.0 TFSI quattro (BPY)	Gasolina	4WD	1984	147	200	09.04-03.13	*
2.0 TFSI quattro (BWA)	Gasolina	4WD	1984	147	200	09.04-03.13	*
2.0 TFSI quattro (CBFA)	Gasolina	4WD	1984	147	200	09.04-03.13	*
2.0 TFSI quattro (CCTA)	Gasolina	4WD	1984	147	200	09.04-03.13	*
2.0 TFSI quattro (CCZA)	Gasolina	4WD	1984	147	200	09.04-03.13	*
S3 quattro (CDLC)	Gasolina	4WD	1984	188	256	07.08-03.13	*
S3 quattro (BHZ)	Gasolina	4WD	1984	195	265	06.08-03.13	*
S3 quattro (CDLA)	Gasolina	4WD	1984	195	265	06.08-03.13	*
RS3 quattro (CEPA)	Gasolina	4WD	2480	250	340	01.11-12.12	*
3.2 V6 quattro (BDB)	Gasolina	4WD	3189	184	250	09.04-05.09	*
3.2 V6 quattro (BMJ)	Gasolina	4WD	3189	184	250	09.04-05.09	*
3.2 V6 quattro (BUB)	Gasolina	4WD	3189	184	250	09.04-05.09	*
1.6 E-Power (CCSA)	Gasol./Etanol	FWD	1595	75	102	01.11-03.13	*
1.6 E-Power (CMXA)	Gasol./Etanol	FWD	1595	75	102	01.11-03.13	*
1.6 TDI (CAYB)	Diesel	FWD	1598	66	90	05.09-03.13	*
1.6 TDI (CAYC)	Diesel	FWD	1598	77	105	05.09-03.13	*
1.9 TDI (BKC)	Diesel	FWD	1896	77	105	09.04-05.10	*
1.9 TDI (BLS)	Diesel	FWD	1896	77	105	09.04-05.10	*
1.9 TDI (BXE)	Diesel	FWD	1896	77	105	09.04-05.10	*
2.0 TDI (AZV)	Diesel	FWD	1968	100	136	09.04-03.13	*
2.0 TDI (CBAA)	Diesel	FWD	1968	100	136	09.04-03.13	*
2.0 TDI (CFFA)	Diesel	FWD	1968	100	136	09.04-03.13	*
2.0 TDI (BMM)	Diesel	FWD	1968	103	140	06.05-06.08	*
2.0 TDI 16V (BKD)	Diesel	FWD	1968	103	140	09.04-03.13	*
2.0 TDI 16V (CBAB)	Diesel	FWD	1968	103	140	09.04-03.13	*
2.0 TDI 16V (CBEA)	Diesel	FWD	1968	103	140	09.04-03.13	*
2.0 TDI 16V (CFFB)	Diesel	FWD	1968	103	140	09.04-03.13	*
2.0 TDI 16V (CLJA)	Diesel	FWD	1968	103	140	09.04-03.13	*
2.0 TDI 16V quattro (BKD)	Diesel	4WD	1968	103	140	11.05-03.13	*
2.0 TDI 16V quattro (CBAB)	Diesel	4WD	1968	103	140	11.05-03.13	*
2.0 TDI 16V quattro (CFFB)	Diesel	4WD	1968	103	140	11.05-03.13	*
2.0 TDI quattro (BMM)	Diesel	4WD	1968	103	140	01.06-06.08	*
2.0 TDI (BUY)	Diesel	FWD	1968	120	163	06.06-06.08	*
2.0 TDI quattro (BMN)	Diesel	4WD	1968	125	170	03.06-03.13	*

LISTA DE APLICACIONES - BUYERS GUIDE

2.0 TDI quattro (CBBB)		Diesel	4WD	1968	125	170	03.06-03.13	*	
2.0 TDI quattro (CFGB)		Diesel	4WD	1968	125	170	03.06-03.13	*	
TT II (8J9) 03.07-09.14					Cabrío (Sports car-S Segment)				
1.8 TFSI (CDAA)		Gasolina	FWD	1798	118	160	06.08-06.14	*	
2.0 TDI quattro (CBBB)		Diesel	4WD	1968	125	170	06.08-06.14	*	
2.0 TDI quattro (CFGB)		Diesel	4WD	1968	125	170	06.08-06.14	*	
TT II (8J3) 07.06-02.15					Coupé (Sports car-S Segment)				
2.0 TTS quattro (CDLA)		Gasolina	4WD	1984	195	265	05.08-06.14	*	
2.0 TTS quattro (CDMA)		Gasolina	4WD	1984	195	265	05.08-06.14	*	
2.0 TDI quattro (CBBB)		Diesel	4WD	1968	125	170	06.08-06.14	*	
2.0 TDI quattro (CFGB)		Diesel	4WD	1968	125	170	06.08-06.14	*	
SEAT									
LEON II (1P1) 05.05-12.13					[CAMBIADO]:Fastback (Compact car-C Segment)				
2.0 TFSI (BWA1)		Gasolina	FWD	1984	136	185	09.05-05.06	*	
2.0 TFSI (BWA)		Gasolina	FWD	1984	147	200	05.05-03.09	*	
2.0 TFSI (BWJ)		Gasolina	FWD	1984	177	240	11.06-05.11	*	
2.0 TFSI (CDLD)		Gasolina	FWD	1984	177	240	11.06-05.11	*	
2.0 Cupra R (CDLA)		Gasolina	FWD	1984	195	265	09.09-12.12	*	
SKODA									
SUPERB II (3T5) 10.09-05.15					[CAMBIADO]:Break (Executive car-E Segment)				
1.4 TSI (CAXC)		Gasolina	FWD	1390	92	125	10.09-05.15	*	
1.8 TSI (CDAB)		Gasolina	FWD	1798	112	152	10.09-05.15	*	
1.8 TSI 4x4 (CDAB)		Gasolina	4WD	1798	112	152	10.09-05.15	*	
1.8 TSI (CDAA)		Gasolina	FWD	1798	118	160	10.09-05.15	*	
1.8 TSI 4x4 (CDAA)		Gasolina	4WD	1798	118	160	10.09-05.15	*	
2.0 TFSI (CCZA)		Gasolina	FWD	1984	147	200	05.10-05.15	*	
3.6 V6 4x4 (CDVA)		Gasolina	4WD	3597	191	260	10.09-05.15	*	
1.6 TDI (CAYC)		Diesel	FWD	1598	77	105	09.10-05.15	*	
2.0 TDI (BMP)		Diesel	FWD	1968	103	140	10.09-03.10	*	
2.0 TDI 16V (BKD)		Diesel	FWD	1968	103	140	10.09-05.15	*	
2.0 TDI 16V (CFFB)		Diesel	FWD	1968	103	140	10.09-05.15	*	
2.0 TDI 16V (CLJA)		Diesel	FWD	1968	103	140	10.09-05.15	*	
2.0 TDI (CBBB)		Diesel	FWD	1968	125	170	10.09-05.15	*	
2.0 TDI (CFGB)		Diesel	FWD	1968	125	170	10.09-05.15	*	
2.0 TDI 4x4 (CBBB)		Diesel	4WD	1968	125	170	10.09-05.15	*	
2.0 TDI 4x4 (CFGB)		Diesel	4WD	1968	125	170	10.09-05.15	*	
SUPERB II (3T4) 03.08-05.15					[CAMBIADO]:Fastback (Executive car-E Segment)				
1.4 TSI (CAXC)		Gasolina	FWD	1390	92	125	07.08-05.15	*	
1.8 TSI (CDAB)		Gasolina	FWD	1798	112	152	03.09-05.15	*	
1.8 TSI 4x4 (CDAB)		Gasolina	4WD	1798	112	152	03.09-05.15	*	
1.8 TSI (BZB)		Gasolina	FWD	1798	118	160	03.08-05.15	*	
1.8 TSI (CDAA)		Gasolina	FWD	1798	118	160	03.08-05.15	*	
1.8 TSI 4x4 (CDAA)		Gasolina	4WD	1798	118	160	11.08-05.15	*	
2.0 TFSI (CCZA)		Gasolina	FWD	1984	147	200	05.10-05.15	*	
3.6 FSI		Gasolina	FWD	3597	191	260	04.09-05.15	*	
3.6 FSI 4x4 (CDVA)		Gasolina	4WD	3597	191	260	11.08-05.15	*	
1.6 TDI (CAYC)		Diesel	FWD	1598	77	105	09.10-05.15	*	
1.9 TDI (BLS)		Diesel	FWD	1896	77	105	03.08-11.10	*	
1.9 TDI (BXE)		Diesel	FWD	1896	77	105	03.08-11.10	*	

LISTA DE APLICACIONES - BUYERS GUIDE

2.0 TDI (BMP)		Diesel	FWD	1968	103	140	03.08-05.10	*
2.0 TDI 16V (BKD)		Diesel	FWD	1968	103	140	01.09-05.15	*
2.0 TDI 16V (CFFB)		Diesel	FWD	1968	103	140	01.09-05.15	*
2.0 TDI 16V (CLJA)		Diesel	FWD	1968	103	140	01.09-05.15	*
2.0 TDI (CBBB)		Diesel	FWD	1968	125	170	07.08-05.15	*
2.0 TDI (CFGB)		Diesel	FWD	1968	125	170	07.08-05.15	*
2.0 TDI 4x4 (CBBB)		Diesel	4WD	1968	125	170	09.08-05.15	*
2.0 TDI 4x4 (CFGB)		Diesel	4WD	1968	125	170	09.08-05.15	*
VW								
CC B7 (358) 11.11-10.17					Coupé (Large family car-D Segment)			
3.6 FSI 4motion (BWS)		Gasolina	4WD	3597	220	300	11.11-12.16	*
EOS (1F7, 1F8) 03.06-08.15					Cabrio (Compact car-C Segment)			
1.6 FSI (BLF)		Gasolina	FWD	1598	85	115	06.06-05.08	*
2.0 FSI (BVY)		Gasolina	FWD	1984	110	150	03.06-05.08	*
2.0 FSI (BVZ)		Gasolina	FWD	1984	110	150	03.06-05.08	*
2.0 TFSI (BPY)		Gasolina	FWD	1984	147	200	03.06-08.15	*
2.0 TFSI (BWA)		Gasolina	FWD	1984	147	200	03.06-08.15	*
2.0 TFSI (CAWB)		Gasolina	FWD	1984	147	200	03.06-08.15	*
2.0 TFSI (CBFA)		Gasolina	FWD	1984	147	200	03.06-08.15	*
2.0 TFSI (CCTA)		Gasolina	FWD	1984	147	200	03.06-08.15	*
2.0 TFSI (CCZA)		Gasolina	FWD	1984	147	200	03.06-08.15	*
2.0 TSI (CCZB)		Gasolina	FWD	1984	155	210	11.09-08.15	*
2.0 TFSI		Gasolina	FWD	1984	162	220	11.13-08.15	*
3.2 V6 (BUB)		Gasolina	FWD	3189	184	250	06.06-05.09	*
3.2 V6 (CBRA)		Gasolina	FWD	3189	184	250	06.06-05.09	*
3.6 V6 (CDVA)		Gasolina	FWD	3597	191	260	05.09-11.10	*
2.0 TDI (BMM)		Diesel	FWD	1968	103	140	06.06-05.08	*
2.0 TDI 16V (CBAB)		Diesel	FWD	1968	103	140	05.08-08.15	*
2.0 TDI 16V (CFFB)		Diesel	FWD	1968	103	140	05.08-08.15	*
GOLF IV (1J1) 08.97-04.08					[CAMBIADO]:Fastback (Compact car-C Segment)			
3.2 R32 4motion (BFH)		Gasolina	4WD	3189	177	241	09.02-06.05	*
3.2 R32 4motion (BJS)		Gasolina	4WD	3189	177	241	09.02-06.05	*
3.2 R32 4motion (BML)		Gasolina	4WD	3189	177	241	09.02-06.05	*
GOLF V / RABBIT V (1K1) 10.03-07.10					[CAMBIADO]:Fastback (Compact car-C Segment)			
1.0		Gasolina	FWD	999	48	65	08.05-	*
1.0		Gasolina	FWD	999	53	72	10.05-	*
1.4 16V (BCA)		Gasolina	FWD	1390	55	75	10.03-05.06	*
1.4 16V (BUD)		Gasolina	FWD	1390	59	80	05.06-11.08	*
1.4 FSI (BKG)		Gasolina	FWD	1390	66	90	10.03-07.06	*
1.4 FSI (BLN)		Gasolina	FWD	1390	66	90	10.03-07.06	*
1.4 TSI (CAXA)		Gasolina	FWD	1390	90	122	05.07-11.08	*
1.4 TSI (BMY)		Gasolina	FWD	1390	103	140	05.06-11.08	*
1.4 TSI (BLG)		Gasolina	FWD	1390	125	170	11.05-11.08	*
1.6		Gasolina	FWD	1595	67	91	08.05-	*
1.6 (BGU)		Gasolina	FWD	1595	75	102	01.04-11.08	*
1.6 (BSE)		Gasolina	FWD	1595	75	102	01.04-11.08	*
1.6 (BSF)		Gasolina	FWD	1595	75	102	01.04-11.08	*
1.6 (CCSA)		Gasolina	FWD	1595	75	102	01.04-11.08	*
1.6 FSI (BAG)		Gasolina	FWD	1598	85	115	10.03-07.08	*

LISTA DE APLICACIONES - BUYERS GUIDE

1.6 FSI (BLF)		Gasolina	FWD	1598	85	115	10.03-07.08	*
1.6 FSI (BLP)		Gasolina	FWD	1598	85	115	10.03-07.08	*
1.8		Gasolina	FWD	1781	73	99	08.05-	*
1.8 GTI		Gasolina	FWD	1781	132	179	08.06-11.08	*
2.0 (BHY)		Gasolina	FWD	1984	85	116	01.05-11.08	*
2.0 (CBPA)		Gasolina	FWD	1984	85	116	01.05-11.08	*
2.0 FSI (AXW)		Gasolina	FWD	1984	110	150	01.04-11.08	*
2.0 FSI (BLR)		Gasolina	FWD	1984	110	150	01.04-11.08	*
2.0 FSI (BLX)		Gasolina	FWD	1984	110	150	01.04-11.08	*
2.0 FSI (BLY)		Gasolina	FWD	1984	110	150	01.04-11.08	*
2.0 FSI (BVX)		Gasolina	FWD	1984	110	150	01.04-11.08	*
2.0 FSI (BZY)		Gasolina	FWD	1984	110	150	01.04-11.08	*
2.0 FSI (BVZ)		Gasolina	FWD	1984	110	150	01.04-11.08	*
2.0 FSI 4motion (BLX)		Gasolina	4WD	1984	110	150	08.04-11.08	*
2.0 FSI 4motion (BVX)		Gasolina	4WD	1984	110	150	08.04-11.08	*
2.0 GTI (AXX)		Gasolina	FWD	1984	147	200	10.04-02.09	*
2.0 GTI (BPY)		Gasolina	FWD	1984	147	200	10.04-02.09	*
2.0 GTI (BWA)		Gasolina	FWD	1984	147	200	10.04-02.09	*
2.0 GTI (CAWB)		Gasolina	FWD	1984	147	200	10.04-02.09	*
2.0 GTI (CBFA)		Gasolina	FWD	1984	147	200	10.04-02.09	*
2.0 GTI (CCTA)		Gasolina	FWD	1984	147	200	10.04-02.09	*
2.0 GTI (BYD)		Gasolina	FWD	1984	169	230	09.06-12.08	*
2.5		Gasolina	FWD	2480	110	150	06.05-11.08	*
3.2 R32		Gasolina	FWD	3189	177	241	01.04-11.08	*
3.2 R32 4motion (BUB)		Gasolina	4WD	3189	184	250	11.05-11.08	*
3.2 R32 4motion (CBRA)		Gasolina	4WD	3189	184	250	11.05-11.08	*
1.6 MultiFuel (CCSA)		Gasol./Etanol	FWD	1595	75	102	10.07-11.08	*
1.6 FSI		Gasol./eléc.	FWD	1598	74	101	02.06-	*
1.8 Hybrid		Gasol./eléc.	FWD	1781	73	99	08.05-	*
1.9 TDI (BKC)		Diesel	FWD	1896	77	105	10.03-11.08	*
1.9 TDI (BLS)		Diesel	FWD	1896	77	105	10.03-11.08	*
1.9 TDI (BXE)		Diesel	FWD	1896	77	105	10.03-11.08	*
1.9 TDI 4motion (BKC)		Diesel	4WD	1896	77	105	08.04-11.08	*
1.9 TDI 4motion (BLS)		Diesel	4WD	1896	77	105	08.04-11.08	*
1.9 TDI 4motion (BXE)		Diesel	4WD	1896	77	105	08.04-11.08	*
2.0 SDI (BDK)		Diesel	FWD	1968	55	75	01.04-11.08	*
2.0 TDI (AZV)		Diesel	FWD	1968	100	136	10.03-11.08	*
2.0 TDI (BMM)		Diesel	FWD	1968	103	140	12.04-11.08	*
2.0 TDI 16V (BKD)		Diesel	FWD	1968	103	140	10.03-11.08	*
2.0 TDI 16V 4motion (BKD)		Diesel	4WD	1968	103	140	08.04-11.08	*
2.0 TDI 4motion (BMM)		Diesel	4WD	1968	103	140	01.07-11.08	*
2.0 TDI (BMN)		Diesel	FWD	1968	125	170	11.05-11.08	*
GOLF V / RABBIT V (1K1) 07.03-				Furgón/hatchback ()				
TDI		Diesel	FWD	1896	77	105	11.03-02.06	*
GOLF V Variant / BORA V / JETTA V / VENTO V (1K5) 01.07-07.09				[CAMBIADO]:Break (Compact car-C Segment)				
1.4 TSI (CAXA)		Gasolina	FWD	1390	90	122	06.07-07.09	*
1.4 TSI (BMY)		Gasolina	FWD	1390	103	140	06.07-07.09	*
1.4 TSI (CAVD)		Gasolina	FWD	1390	118	160	07.08-07.09	*
1.4 TSI (BLG)		Gasolina	FWD	1390	125	170	06.07-07.09	*

LISTA DE APLICACIONES - BUYERS GUIDE

1.6 (BSE)		Gasolina	FWD	1595	75	102	06.07-07.09	*	
1.6 (BSF)		Gasolina	FWD	1595	75	102	06.07-07.09	*	
1.6 (CCSA)		Gasolina	FWD	1595	75	102	06.07-07.09	*	
2.0 TFSI (BWA)		Gasolina	FWD	1984	147	200	06.07-07.09	*	
2.0 TFSI (CAWB)		Gasolina	FWD	1984	147	200	06.07-07.09	*	
2.0 TFSI (CBFA)		Gasolina	FWD	1984	147	200	06.07-07.09	*	
2.0 TFSI (CCTA)		Gasolina	FWD	1984	147	200	06.07-07.09	*	
1.6 MultiFuel (CCSA)		Gasol./Etanol	FWD	1595	75	102	11.07-07.09	*	
1.9 TDI (BLS)		Diesel	FWD	1896	77	105	06.07-07.09	*	
1.9 TDI (BXE)		Diesel	FWD	1896	77	105	06.07-07.09	*	
1.9 TDI 4motion (BLS)		Diesel	4WD	1896	77	105	01.08-07.09	*	
2.0 TDI (AZV)		Diesel	FWD	1968	100	136	06.07-07.09	*	
2.0 TDI		Diesel	RWD	1968	100	136	06.07-07.09	*	
2.0 TDI (BMM)		Diesel	FWD	1968	103	140	06.07-07.09	*	
2.0 TDI 16V (BKD)		Diesel	FWD	1968	103	140	06.07-07.09	*	
2.0 TDI 16V (CBDB)		Diesel	FWD	1968	103	140	06.07-07.09	*	
GOLF VI / JETTA VI (5K1) 10.08-12.14							[CAMBIADO]:Fastback (Compact car-C Segment)		
1.2 TSI (CBZB)		Gasolina	FWD	1197	77	105	11.08-11.12	*	
1.4 (CGGA)		Gasolina	FWD	1390	59	80	10.08-11.12	*	
1.4 TSI (CAXA)		Gasolina	FWD	1390	90	122	10.08-11.12	*	
1.4 TSI (CAVD)		Gasolina	FWD	1390	118	160	10.08-11.12	*	
1.4 TSI (CNWA)		Gasolina	FWD	1390	118	160	10.08-11.12	*	
1.4 TSI (CTHD)		Gasolina	FWD	1390	118	160	10.08-11.12	*	
1.6 (BSE)		Gasolina	FWD	1595	75	102	10.08-11.12	*	
1.6 (BSF)		Gasolina	FWD	1595	75	102	10.08-11.12	*	
1.6 (CCSA)		Gasolina	FWD	1595	75	102	10.08-11.12	*	
1.6 (CMXA)		Gasolina	FWD	1595	75	102	10.08-11.12	*	
1.8 TSI (CDAA)		Gasolina	FWD	1798	118	160	06.09-01.11	*	
2.0 GTI (CCZB)		Gasolina	FWD	1984	155	210	04.09-11.12	*	
2.0 GTI (CDLG)		Gasolina	FWD	1984	173	235	05.11-11.12	*	
2.0 R 4motion (CDLA)		Gasolina	4WD	1984	195	265	11.09-05.11	*	
1.6 BiFuel (CHGA)		Gasol./Gas (LPG)	FWD	1595	75	102	03.09-11.12	*	
1.6 MultiFuel (CCSA)		Gasol./Etanol	FWD	1595	75	102	10.08-11.12	*	
1.6 MultiFuel (CMXA)		Gasol./Etanol	FWD	1595	75	102	10.08-11.12	*	
1.6 TDI (CAYB)		Diesel	FWD	1598	66	90	02.09-11.12	*	
1.6 TDI (CAYC)		Diesel	FWD	1598	77	105	02.09-11.12	*	
2.0 TDI (CBDC)		Diesel	FWD	1968	81	110	10.08-11.12	*	
2.0 TDI (CLCA)		Diesel	FWD	1968	81	110	10.08-11.12	*	
2.0 TDI (CBAA)		Diesel	FWD	1968	100	136	10.08-11.12	*	
2.0 TDI (CFFA)		Diesel	FWD	1968	100	136	10.08-11.12	*	
2.0 TDI (CBAB)		Diesel	FWD	1968	103	140	10.08-05.13	*	
2.0 TDI (CFFB)		Diesel	FWD	1968	103	140	10.08-05.13	*	
2.0 TDI (CJAA)		Diesel	FWD	1968	103	140	10.08-05.13	*	
2.0 TDI 4motion (CBAB)		Diesel	4WD	1968	103	140	05.09-11.12	*	
2.0 TDI 4motion (CFFB)		Diesel	4WD	1968	103	140	05.09-11.12	*	
2.0 TDI (CBBB)		Diesel	FWD	1968	125	170	04.09-11.12	*	
2.0 TDI (CFGB)		Diesel	FWD	1968	125	170	04.09-11.12	*	

LISTA DE APLICACIONES - BUYERS GUIDE

GOLF VI / JETTA VI (5K1) 10.08-11.12					Furgón/hatchback (Compact car-C Segment)			
1.2 TSI (CBZB)		Gasolina	FWD	1197	77	105	05.09-11.12	*
1.2 TSI (CBZB)		Gasolina	FWD	1197	77	105	11.09-08.14	*
1.4 TSI (CAXA)		Gasolina	FWD	1390	90	122	01.09-08.14	*
TSi (CAXA)		Gasolina	FWD	1390	90	122	10.08-11.12	*
1.4 TSI (CAVD)		Gasolina	FWD	1390	118	160	10.08-11.12	*
1.4 TSI (CAVD)		Gasolina	FWD	1390	118	160	01.09-09.12	*
1.6 TDI (CAYB)		Diesel	FWD	1598	66	90	02.09-11.12	*
1.6 TDI (CAYB)		Diesel	FWD	1598	66	90	02.09-08.14	*
1.6 TDI (CAYC)		Diesel	FWD	1598	77	105	05.09-11.12	*
1.6 TDI (CAYC)		Diesel	FWD	1598	77	105	02.09-08.14	*
2.0 TDI (CFFB)		Diesel	FWD	1968	103	140	09.09-11.12	*
2.0 TDI (CJAA)		Diesel	FWD	1968	103	140	09.09-11.12	*
2.0 TDI (CFHC)		Diesel	FWD	1968	103	140	11.09-08.14	*
GOLF VI VAN Variant / JETTA VI (AJ5) 07.09-05.14					[CAMBIADO]:Furgón/Break (Compact car-C Segment)			
1.2 TSI (CBZB)		Gasolina	FWD	1197	77	105	09.09-05.14	*
1.4 TSI (CAXA)		Gasolina	FWD	1390	90	122	07.09-05.14	*
1.4 TSI (CAVD)		Gasolina	FWD	1390	118	160	07.09-10.12	*
1.6 TDI (CAYB)		Diesel	FWD	1598	66	90	12.09-10.12	*
1.6 TDI (CAYC)		Diesel	FWD	1598	77	105	07.09-05.14	*
2.0 TDI (CBDB)		Diesel	FWD	1968	103	140	07.09-05.14	*
2.0 TDI (CFHC)		Diesel	FWD	1968	103	140	07.09-05.14	*
GOLF VI Variant / JETTA VI (AJ5) 07.09-07.14					[CAMBIADO]:Break (Compact car-C Segment)			
1.2 TSI (CBZA)		Gasolina	FWD	1197	63	86	07.10-07.13	*
1.2 TSI (CBZB)		Gasolina	FWD	1197	77	105	07.09-07.13	*
1.4 (BUD)		Gasolina	FWD	1390	59	80	07.09-07.13	*
1.4 (CGGA)		Gasolina	FWD	1390	59	80	07.09-07.13	*
1.4 TSI (CAXA)		Gasolina	FWD	1390	90	122	07.09-07.13	*
1.4 TSI (CAVD)		Gasolina	FWD	1390	118	160	07.09-07.13	*
1.4 TSI (CNWA)		Gasolina	FWD	1390	118	160	07.09-07.13	*
1.4 TSI (CTHD)		Gasolina	FWD	1390	118	160	07.09-07.13	*
1.4 TSI (CTKA)		Gasolina	FWD	1390	118	160	07.09-07.13	*
1.6 (BSE)		Gasolina	FWD	1595	75	102	07.09-07.13	*
1.6 (BSF)		Gasolina	FWD	1595	75	102	07.09-07.13	*
1.6 (CCSA)		Gasolina	FWD	1595	75	102	07.09-07.13	*
1.6 BiFuel (BSF)		Gasol./Gas (LPG)	FWD	1595	75	102	07.09-12.10	*
1.6 TDI (CAYB)		Diesel	FWD	1598	66	90	12.09-07.13	*
1.6 TDI (CAYC)		Diesel	FWD	1598	77	105	07.09-07.13	*
1.6 TDI 4motion (CAYC)		Diesel	4WD	1598	77	105	07.09-07.13	*
2.0 TDI (CBDA)		Diesel	FWD	1968	100	136	07.09-07.13	*
2.0 TDI (CFHB)		Diesel	FWD	1968	100	136	07.09-07.13	*
2.0 TDI (CBDB)		Diesel	FWD	1968	103	140	07.09-07.13	*
2.0 TDI (CFHC)		Diesel	FWD	1968	103	140	07.09-07.13	*
2.0 TDI (CJAA)		Diesel	FWD	1968	103	140	07.09-07.13	*
2.0 TDI		Diesel	RWD	1968	103	140	07.09-07.13	*
GOLF PLUS V (5M1, 521) 12.04-12.13					[CAMBIADO]:Fastback (Compact car-C Segment)			
1.0		Gasolina	FWD	999	48	65	08.05-	*
1.0		Gasolina	FWD	999	53	72	10.05-	*
1.2 TSI (CBZB)		Gasolina	FWD	1197	77	105	11.09-12.13	*

LISTA DE APLICACIONES - BUYERS GUIDE

1.4 16V (BCA)		Gasolina	FWD	1390	55	75	01.05-11.06	*
1.4 16V (BUD)		Gasolina	FWD	1390	59	80	05.06-12.13	*
1.4 16V (CGGA)		Gasolina	FWD	1390	59	80	05.06-12.13	*
1.4 FSI (BLN)		Gasolina	FWD	1390	66	90	07.05-11.06	*
1.4 TSI (CAXA)		Gasolina	FWD	1390	90	122	06.07-12.13	*
1.4 TSI (BMY)		Gasolina	FWD	1390	103	140	05.06-06.08	*
1.4 TSI (CAVD)		Gasolina	FWD	1390	118	160	06.08-12.13	*
1.4 TSI (CNWA)		Gasolina	FWD	1390	118	160	06.08-12.13	*
1.4 TSI (CTHD)		Gasolina	FWD	1390	118	160	06.08-12.13	*
1.4 TSI (BLG)		Gasolina	FWD	1390	125	170	05.06-06.08	*
1.6		Gasolina	FWD	1595	67	91	08.05-	*
1.6 (BSE)		Gasolina	FWD	1595	75	102	05.05-12.13	*
1.6 (BSF)		Gasolina	FWD	1595	75	102	05.05-12.13	*
1.6 (CCSA)		Gasolina	FWD	1595	75	102	05.05-12.13	*
1.6 (CMXA)		Gasolina	FWD	1595	75	102	05.05-12.13	*
1.6 FSI (BLF)		Gasolina	FWD	1598	85	115	12.04-05.08	*
1.8		Gasolina	FWD	1781	73	99	08.05-	*
2.0 FSI (BLR)		Gasolina	FWD	1984	110	150	05.05-06.08	*
2.0 FSI (BLY)		Gasolina	FWD	1984	110	150	05.05-06.08	*
2.0 FSI (BVY)		Gasolina	FWD	1984	110	150	05.05-06.08	*
2.0 FSI (BVZ)		Gasolina	FWD	1984	110	150	05.05-06.08	*
1.6 BiFuel (CHGA)		Gasol./Gas (LPG)	FWD	1595	75	102	05.09-12.13	*
1.6 MultiFuel (CCSA)		Gasol./Etanol	FWD	1595	75	102	11.07-12.13	*
1.6 MultiFuel (CMXA)		Gasol./Etanol	FWD	1595	75	102	11.07-12.13	*
1.8 Hybrid		Gasol./eléc.	FWD	1781	73	99	08.05-	*
1.6 TDI (CAYB)		Diesel	FWD	1598	66	90	02.09-12.13	*
1.6 TDI (CAYC)		Diesel	FWD	1598	77	105	03.09-12.13	*
1.9 TDI (BRU)		Diesel	FWD	1896	66	90	05.05-12.08	*
1.9 TDI (BXF)		Diesel	FWD	1896	66	90	05.05-12.08	*
1.9 TDI (BXJ)		Diesel	FWD	1896	66	90	05.05-12.08	*
1.9 TDI (BKC)		Diesel	FWD	1896	77	105	01.05-01.09	*
1.9 TDI (BLS)		Diesel	FWD	1896	77	105	01.05-01.09	*
1.9 TDI (BXE)		Diesel	FWD	1896	77	105	01.05-01.09	*
2.0 TDI (CBDC)		Diesel	FWD	1968	81	110	01.09-12.13	*
2.0 TDI (CLCA)		Diesel	FWD	1968	81	110	01.09-12.13	*
2.0 TDI (BEE)		Diesel	FWD	1968	96	131	05.05-05.07	*
2.0 TDI (AZV)		Diesel	FWD	1968	100	136	05.05-12.13	*
2.0 TDI (CBDA)		Diesel	FWD	1968	100	136	05.05-12.13	*
2.0 TDI (CFHB)		Diesel	FWD	1968	100	136	05.05-12.13	*
2.0 TDI (BMM)		Diesel	FWD	1968	103	140	12.05-05.11	*
2.0 TDI 16V (BKD)		Diesel	FWD	1968	103	140	01.05-12.13	*
2.0 TDI 16V (CBDB)		Diesel	FWD	1968	103	140	01.05-12.13	*
2.0 TDI 16V (CFHC)		Diesel	FWD	1968	103	140	01.05-12.13	*
PASSAT B6 (3C2) 03.05-12.13					Sedán (Large family car-D Segment)			
1.4 TSI (CAXA)		Gasolina	FWD	1390	90	122	05.07-07.10	*
1.6 (BSE)		Gasolina	FWD	1595	75	102	05.05-07.10	*
1.6 (BSF)		Gasolina	FWD	1595	75	102	05.05-07.10	*
1.6 FSI (BLF)		Gasolina	FWD	1598	85	115	03.05-06.08	*
1.8 TSI (CDAB)		Gasolina	FWD	1798	112	152	11.09-07.10	*

LISTA DE APLICACIONES - BUYERS GUIDE

1.8 TSI (CGYA)		Gasolina	FWD	1798	112	152	11.09-07.10	*
1.8 TSI (BZB)		Gasolina	FWD	1798	118	160	05.07-07.10	*
1.8 TSI (CDAA)		Gasolina	FWD	1798	118	160	05.07-07.10	*
2.0 FSI (BLR)		Gasolina	FWD	1984	110	150	03.05-07.10	*
2.0 FSI (BLY)		Gasolina	FWD	1984	110	150	03.05-07.10	*
2.0 FSI (BVY)		Gasolina	FWD	1984	110	150	03.05-07.10	*
2.0 FSI (BVZ)		Gasolina	FWD	1984	110	150	03.05-07.10	*
2.0 FSI 4motion (BLX)		Gasolina	4WD	1984	110	150	09.05-07.10	*
2.0 FSI 4motion (BLY)		Gasolina	4WD	1984	110	150	09.05-07.10	*
2.0 FSI 4motion (BVX)		Gasolina	4WD	1984	110	150	09.05-07.10	*
2.0 FSI (CCTB)		Gasolina	FWD	1984	125	170	08.07-07.10	*
2.0 TFSI (AXX)		Gasolina	FWD	1984	147	200	07.05-07.10	*
2.0 TFSI (BPY)		Gasolina	FWD	1984	147	200	07.05-07.10	*
2.0 TFSI (BWA)		Gasolina	FWD	1984	147	200	07.05-07.10	*
2.0 TFSI (CAWB)		Gasolina	FWD	1984	147	200	07.05-07.10	*
2.0 TFSI (CBFA)		Gasolina	FWD	1984	147	200	07.05-07.10	*
2.0 TFSI (CCTA)		Gasolina	FWD	1984	147	200	07.05-07.10	*
2.0 TFSI (CCZA)		Gasolina	FWD	1984	147	200	07.05-07.10	*
3.2 FSI 4motion (AXZ)		Gasolina	4WD	3168	184	250	11.05-07.10	*
3.6 FSI		Gasolina	FWD	3580	206	280	06.05-07.10	*
3.6 FSI		Gasolina	FWD	3597	206	280	09.05-	*
3.6 R36 4motion (BWS)		Gasolina	4WD	3597	220	300	04.07-07.10	*
1.4 TSI EcoFuel (CDGA)		Gasol./Gas (CNG)	FWD	1390	110	150	01.09-07.10	*
1.6 TDI (CAYC)		Diesel	FWD	1598	77	105	08.09-07.10	*
1.9 TDI (BKC)		Diesel	FWD	1896	77	105	03.05-07.10	*
1.9 TDI (BLS)		Diesel	FWD	1896	77	105	03.05-07.10	*
1.9 TDI (BXE)		Diesel	FWD	1896	77	105	03.05-07.10	*
2.0 TDI (CBDC)		Diesel	FWD	1968	81	110	11.08-07.10	*
2.0 TDI (BWV)		Diesel	FWD	1968	88	120	11.05-05.07	*
2.0 TDI (BVE)		Diesel	FWD	1968	90	122	08.05-07.06	*
2.0 TDI (BMA)		Diesel	FWD	1968	100	136	03.05-11.10	*
2.0 TDI (CBAA)		Diesel	FWD	1968	100	136	03.05-11.10	*
2.0 TDI (BMP)		Diesel	FWD	1968	103	140	03.05-05.09	*
2.0 TDI 16V (BKP)		Diesel	FWD	1968	103	140	03.05-07.10	*
2.0 TDI 16V (CBAB)		Diesel	FWD	1968	103	140	03.05-07.10	*
2.0 TDI 16V 4motion (BKP)		Diesel	4WD	1968	103	140	03.05-08.10	*
2.0 TDI 16V 4motion (CBAB)		Diesel	4WD	1968	103	140	03.05-08.10	*
2.0 TDI 4motion (BMP)		Diesel	4WD	1968	103	140	03.05-05.09	*
2.0 BlueTDI (CBAC)		Diesel	FWD	1968	105	143	01.09-11.10	*
2.0 TDI (BUZ)		Diesel	FWD	1968	120	163	08.05-05.09	*
2.0 TDI (BMR)		Diesel	FWD	1968	125	170	08.05-07.10	*
2.0 TDI (CBBB)		Diesel	FWD	1968	125	170	08.05-07.10	*
2.0 TDI 4motion (CBBB)		Diesel	4WD	1968	125	170	05.09-07.10	*
PASSAT B6 CC (357) 02.08-12.13					Coupé (Large family car-D Segment)			
1.8 TSI (CDAB)		Gasolina	FWD	1798	112	152	11.08-05.10	*
1.8 TSI (CGYA)		Gasolina	FWD	1798	112	152	11.08-05.10	*
1.8 TSI (BZB)		Gasolina	FWD	1798	118	160	06.08-01.12	*
1.8 TSI (CDAA)		Gasolina	FWD	1798	118	160	06.08-01.12	*
2.0 TFSI (CAWB)		Gasolina	FWD	1984	147	200	06.08-01.12	*
2.0 TFSI (CBFA)		Gasolina	FWD	1984	147	200	06.08-01.12	*

LISTA DE APLICACIONES - BUYERS GUIDE

2.0 TFSI (CCTA)		Gasolina	FWD	1984	147	200	06.08-01.12	*
2.0 TFSI (CCZA)		Gasolina	FWD	1984	147	200	06.08-01.12	*
2.0 TSI (CCZB)		Gasolina	FWD	1984	155	211	11.10-01.12	*
3.6 FSI 4motion (BLV)		Gasolina	4WD	3580	206	280	06.08-01.12	*
3.6 FSI 4motion (CNNA)		Gasolina	4WD	3580	206	280	06.08-01.12	*
3.6 FSI		Gasolina	FWD	3597	206	280	06.08-	*
3.6 FSI 4motion (BWS)		Gasolina	4WD	3597	220	300	02.08-12.11	*
1.4 TSI MultiFuel (CKMA)		Gasol./Etanol	FWD	1390	118	160	01.11-01.12	*
2.0 TDI (CBAA)		Diesel	FWD	1968	100	136	06.08-05.11	*
2.0 TDI (CFFA)		Diesel	FWD	1968	100	136	06.08-05.11	*
2.0 TDI (CBAB)		Diesel	FWD	1968	103	140	06.08-01.12	*
2.0 TDI (CFFB)		Diesel	FWD	1968	103	140	06.08-01.12	*
2.0 TDI 4motion (CBAB)		Diesel	4WD	1968	103	140	08.09-01.12	*
2.0 TDI 4motion (CFFB)		Diesel	4WD	1968	103	140	08.09-01.12	*
2.0 BlueTDI (CBAC)		Diesel	FWD	1968	105	143	05.09-11.10	*
2.0 TDI (CBBA)		Diesel	FWD	1968	120	163	02.08-05.09	*
2.0 TDI (CBBB)		Diesel	FWD	1968	125	170	06.08-01.12	*
2.0 TDI (CFGB)		Diesel	FWD	1968	125	170	06.08-01.12	*
2.0 TDI (CLLA)		Diesel	FWD	1968	125	170	06.08-01.12	*
2.0 TDI 4motion (CBBB)		Diesel	4WD	1968	125	170	11.09-01.12	*
2.0 TDI 4motion (CFGB)		Diesel	4WD	1968	125	170	11.09-01.12	*
PASSAT B6 Variant (3C5) 08.05-11.11							[CAMBIADO]:Break (Large family car-D Segment)	
1.4 TSI (CAXA)		Gasolina	FWD	1390	90	122	05.07-11.10	*
1.6 (BSE)		Gasolina	FWD	1595	75	102	08.05-11.10	*
1.6 (BSF)		Gasolina	FWD	1595	75	102	08.05-11.10	*
1.6 FSI (BLF)		Gasolina	FWD	1598	85	115	08.05-06.08	*
1.8 TSI (CDAB)		Gasolina	FWD	1798	112	152	11.09-11.10	*
1.8 TSI (CGYA)		Gasolina	FWD	1798	112	152	11.09-11.10	*
2.0 FSI (BLR)		Gasolina	FWD	1984	110	150	08.05-11.10	*
2.0 FSI (BLY)		Gasolina	FWD	1984	110	150	08.05-11.10	*
2.0 FSI (BVY)		Gasolina	FWD	1984	110	150	08.05-11.10	*
2.0 FSI (BVZ)		Gasolina	FWD	1984	110	150	08.05-11.10	*
2.0 FSI 4motion (BLX)		Gasolina	4WD	1984	110	150	09.05-11.10	*
2.0 FSI 4motion (BLY)		Gasolina	4WD	1984	110	150	09.05-11.10	*
2.0 FSI 4motion (BVX)		Gasolina	4WD	1984	110	150	09.05-11.10	*
2.0 FSI		Gasolina	FWD	1984	125	170	12.07-11.10	*
2.0 TFSI (AXX)		Gasolina	FWD	1984	147	200	08.05-11.10	*
2.0 TFSI (BPY)		Gasolina	FWD	1984	147	200	08.05-11.10	*
2.0 TFSI (BWA)		Gasolina	FWD	1984	147	200	08.05-11.10	*
2.0 TFSI (CAWB)		Gasolina	FWD	1984	147	200	08.05-11.10	*
2.0 TFSI (CBFA)		Gasolina	FWD	1984	147	200	08.05-11.10	*
2.0 TFSI (CCTA)		Gasolina	FWD	1984	147	200	08.05-11.10	*
2.0 TFSI (CCZA)		Gasolina	FWD	1984	147	200	08.05-11.10	*
3.2 FSI 4motion (AXZ)		Gasolina	4WD	3168	184	250	11.05-11.10	*
3.6 FSI		Gasolina	FWD	3597	206	280	09.05-	*
3.6 FSI		Gasolina	FWD	3597	206	280	09.05-	*
3.6 R36 4motion (BWS)		Gasolina	4WD	3597	220	300	04.07-11.10	*
1.4 TSI EcoFuel (CDGA)		Gasol./Gas (CNG)	FWD	1390	110	150	01.09-11.10	*
1.6 TDI (CAYC)		Diesel	FWD	1598	77	105	08.09-11.10	*

LISTA DE APLICACIONES - BUYERS GUIDE

1.9 TDI (BKC)		Diesel	FWD	1896	77	105	08.05-11.10	*
1.9 TDI (BLS)		Diesel	FWD	1896	77	105	08.05-11.10	*
1.9 TDI (BXE)		Diesel	FWD	1896	77	105	08.05-11.10	*
2.0 TDI (CBDC)		Diesel	FWD	1968	81	110	11.08-11.10	*
2.0 TDI (BWV)		Diesel	FWD	1968	88	120	11.05-05.07	*
2.0 TDI (BVE)		Diesel	FWD	1968	90	122	08.05-02.06	*
2.0 TDI (BMA)		Diesel	FWD	1968	100	136	08.05-11.10	*
2.0 TDI (CBAA)		Diesel	FWD	1968	100	136	08.05-11.10	*
2.0 TDI (BMP)		Diesel	FWD	1968	103	140	08.05-05.09	*
2.0 TDI 16V (BKP)		Diesel	FWD	1968	103	140	08.05-11.10	*
2.0 TDI 16V (CBAB)		Diesel	FWD	1968	103	140	08.05-11.10	*
2.0 TDI 16V 4motion (BKP)		Diesel	4WD	1968	103	140	08.05-11.10	*
2.0 TDI 16V 4motion (CBAB)		Diesel	4WD	1968	103	140	08.05-11.10	*
2.0 TDI 4motion (BMP)		Diesel	4WD	1968	103	140	08.05-05.09	*
2.0 BlueTDI (CBAC)		Diesel	FWD	1968	105	143	01.09-11.10	*
2.0 TDI (BUZ)		Diesel	FWD	1968	120	163	08.05-05.09	*
2.0 TDI (BMR)		Diesel	FWD	1968	125	170	08.05-11.10	*
2.0 TDI (CBBB)		Diesel	FWD	1968	125	170	08.05-11.10	*
2.0 TDI 4motion (CBBB)		Diesel	4WD	1968	125	170	05.09-11.10	*
PASSAT B7 (365) 08.10-12.14					[CAMBIADO]:Furgón/Break (Large family car-D Segment)			
2.0 TSI		Gasolina	FWD	1984	155	211	11.10-12.14	*
PASSAT B7 (362) 08.10-04.16					Sedán (Large family car-D Segment)			
1.4 TSI (CAXA)		Gasolina	FWD	1390	90	122	08.10-12.14	*
1.8 TSI (CDAB)		Gasolina	FWD	1798	112	152	02.11-12.14	*
1.8 TSI (CDAA)		Gasolina	FWD	1798	118	160	08.10-12.14	*
2.0 TSI (CCZB)		Gasolina	FWD	1984	155	210	11.10-12.14	*
3.6 FSI		Gasolina	FWD	3597	206	280	01.12-	*
3.6 FSI 4motion (BWS)		Gasolina	4WD	3597	220	300	01.11-12.14	*
1.4 TSI EcoFuel (CDGA)		Gasol./Gas (CNG)	FWD	1390	110	150	08.10-12.14	*
1.4 TSI MultiFuel (CKMA)		Gasol./Etanol	FWD	1390	118	160	11.10-12.14	*
1.6 TDI (CAYC)		Diesel	FWD	1598	77	105	08.10-12.14	*
2.0 TDI (CFFB)		Diesel	FWD	1968	103	140	08.10-12.14	*
2.0 TDI 4motion (CFFB)		Diesel	4WD	1968	103	140	08.10-12.14	*
2.0 TDI (CFGB)		Diesel	FWD	1968	125	170	08.10-12.14	*
2.0 TDI (CLLA)		Diesel	FWD	1968	125	170	08.10-12.14	*
2.0 TDI 4motion (CFGB)		Diesel	4WD	1968	125	170	08.10-01.13	*
PASSAT B7 Variant (365) 08.10-12.15					[CAMBIADO]:Break (Large family car-D Segment)			
1.4 TSI (CAXA)		Gasolina	FWD	1390	90	122	08.10-12.14	*
1.8 TSI (CDAB)		Gasolina	FWD	1798	112	152	02.11-12.14	*
1.8 TSI (CDAA)		Gasolina	FWD	1798	118	160	08.10-12.14	*
2.0 TSI (CCZB)		Gasolina	FWD	1984	155	210	11.10-12.15	*
3.6 FSI 4motion (BWS)		Gasolina	4WD	3597	220	300	01.11-12.14	*
1.6 TDI (CAYC)		Diesel	FWD	1598	77	105	08.10-12.14	*
2.0 TDI (CFFB)		Diesel	FWD	1968	103	140	08.10-12.14	*
2.0 TDI 4motion (CFFB)		Diesel	4WD	1968	103	140	08.10-12.14	*
2.0 TDI (CFGB)		Diesel	FWD	1968	125	170	08.10-12.14	*
2.0 TDI (CLLA)		Diesel	FWD	1968	125	170	08.10-12.14	*
2.0 TDI 4motion (CFGB)		Diesel	4WD	1968	125	170	08.10-01.13	*

LISTA DE APLICACIONES - BUYERS GUIDE

SCIROCCO III (137, 138) 05.08-					Coupé (Sport compact car-C Segment)			
1.4 TSI (CAXA)		Gasolina	FWD	1390	90	122	08.08-11.17	*
1.4 TSI (CMSB)		Gasolina	FWD	1390	90	122	08.08-11.17	*
1.4 TSI (CAVD)		Gasolina	FWD	1390	118	160	05.08-11.17	*
1.4 TSI (CNWA)		Gasolina	FWD	1390	118	160	05.08-11.17	*
1.4 TSI (CTHD)		Gasolina	FWD	1390	118	160	05.08-11.17	*
1.4 TSI (CTKA)		Gasolina	FWD	1390	118	160	05.08-11.17	*
2.0 TFSI (CAWB)		Gasolina	FWD	1984	147	200	05.08-11.09	*
2.0 TSI (CCZB)		Gasolina	FWD	1984	155	210	11.09-11.17	*
2.0 TDI (CBDB)		Diesel	FWD	1968	103	140	08.08-11.17	*
2.0 TDI (CFHC)		Diesel	FWD	1968	103	140	08.08-11.17	*
2.0 TDI (CBBB)		Diesel	FWD	1968	125	170	05.09-11.17	*
2.0 TDI (CFGB)		Diesel	FWD	1968	125	170	05.09-11.17	*
2.0 TDI (CFGC)		Diesel	FWD	1968	130	177	01.13-11.17	*
SCIROCCO III (137) 06.08-05.14					Furgón/hatchback (Sport compact car-C Segment)			
1.4 TSI (CAXA)		Gasolina	FWD	1390	90	122	08.08-05.14	*
1.4 TSI (CAVD)		Gasolina	FWD	1390	118	160	06.08-05.14	*
2.0 TFSI (CCZB)		Gasolina	FWD	1984	155	211	11.09-05.14	*
2.0 TDI (CBDB)		Diesel	FWD	1968	103	140	08.08-05.14	*
2.0 TDI (CFHC)		Diesel	FWD	1968	103	140	08.08-05.14	*
2.0 TDI (CBBB)		Diesel	FWD	1968	125	170	05.09-05.14	*
2.0 TDI (CFGB)		Diesel	FWD	1968	125	170	05.09-05.14	*