

LISTA DE APLICACIONES - BUYERS GUIDE

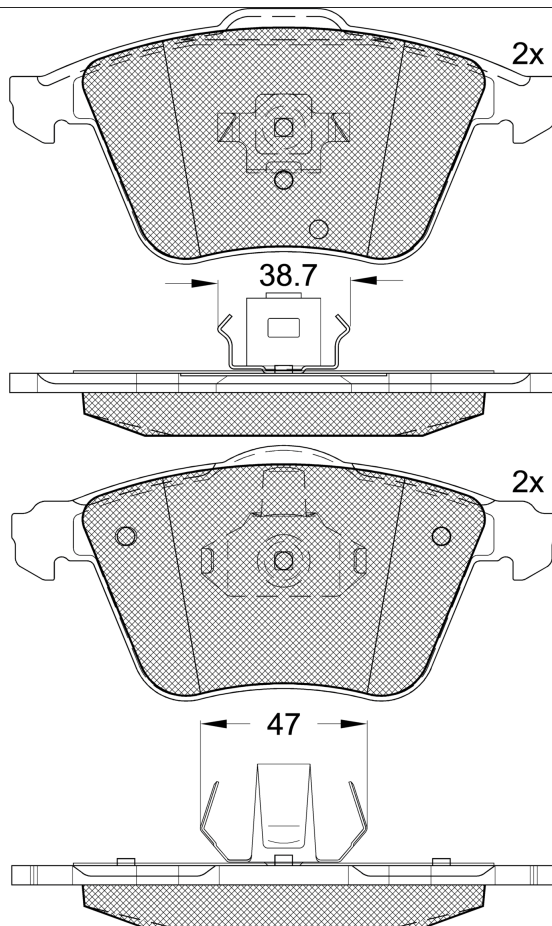
RB1652



Qty: 300

Weight: 2.070

O.E.M.	MAKE
1 368 558	FORD
1 464 435	FORD
1 638 558	FORD
16 05 195	OPEL
16 05 558	OPEL
3 063 532 8	VOLVO
3 068 327 4	VOLVO
3 068 327 40	VOLVO
3 071 479 1	VOLVO
3 074 202 9	VOLVO
3 074 202 90	VOLVO
3 121 218 4	VOLVO
3 121 218 40	VOLVO
3 131 765 8	VOLVO
32 01 959 6	SAAB
4N51-2K021-AB	FORD
4N5J-2K021-AA	FORD
93 188 031	VAUXHALL
93 19 575 4	SAAB
93 190 982	OPEL
B3YF-33-23Z	MAZDA



RB1652

E 9 90R-01111/1128



Ate - Teves

155.2x72.9x18.5
156.4x72.9x18.5

WVA	FMSI
23801	D915-8220
23912	D915-8519

Sin Filas



Trac.	CC	Kw	CV
-------	----	----	----



Front / Rear

CADILLAC

						Sedán (Compact executive car-D Segment)			
BLS 04.06-									
2.8 T (B284L)		Gasolina	FWD	2792	188	255	04.06-	*	
2.8 T (B284R)		Gasolina	FWD	2792	206	280	12.09-12.10	*	
2.8 T (Z 28 NET)		Gasolina	FWD	2792	206	280	12.09-12.10	*	
2.8 T AWD (Z 28 NET)		Gasolina	4WD	2792	206	280	10.08-	*	

						[CAMBIADO]:Break (Compact executive car-D Segment)			
BLS Wagon 12.07-									
2.8 T (Z 28 NET)		Gasolina	FWD	2792	188	255	12.07-	*	
2.8 T (B284R)		Gasolina	FWD	2792	206	280	08.10-	*	
2.8 T AWD (Z 28 NET)		Gasolina	4WD	2792	206	280	10.08-	*	

FORD

						[CAMBIADO]:Fastback (Compact car-C Segment)			
FOCUS II (DA_, HCP, DP) 07.04-09.13									
2.5 ST (HYDA)		Gasolina	FWD	2522	166	225	10.05-09.12	*	

MAZDA

						[CAMBIADO]:Fastback (Compact car-C Segment)			
3 II / AXELA (BL) 12.08-09.14									
2.3 MPS Turbo (BL14) (L3Y7)		Gasolina	FWD	2261	191	260	12.08-09.14	*	
2.3 MPS Turbo		Gasolina	FWD	2261	196	267	06.09-	*	
						[CAMBIADO]:Fastback (Compact car-C Segment)			
3 / AXELA (BK) 10.03-12.09									
2.3 DiSi Turbo MPS (BK3P) (L3YH)		Gasolina	FWD	2261	184	250	06.06-06.09	*	
2.3 MPS Turbo (BK14) (L3M6)		Gasolina	FWD	2261	191	260	12.06-06.09	*	
						Sedán (Compact car-C Segment)			
3 / AXELA (BK) 09.99-12.09									
2.3 (L3-VE)		Gasolina	FWD	2261	118	160	03.04-03.09	*	

LISTA DE APLICACIONES - BUYERS GUIDE

OPEL

					[CAMBIADO]:Fastback (Large family car-D Segment)				
SIGNUM (Z03) 05.03-									
2.8 V6 Turbo (F48) (Z 28 NET)		Gasolina	FWD	2792	184	250	01.06-12.08	*	
					[CAMBIADO]:Break (Large family car-D Segment)				
VECTRA C (Z02) 10.03-									
2.8 V6 Turbo (F35) (Z 28 NEL)		Gasolina	FWD	2792	169	230	08.05-10.08	*	
2.8 V6 Turbo (F35) (Z 28 NET)		Gasolina	FWD	2792	184	250	08.05-08.08	*	
2.8 V6 Turbo (F35) (Z 28 NET)		Gasolina	FWD	2792	188	255	08.05-09.08	*	
2.8 V6 Turbo (F35) (Z 28 NET)		Gasolina	FWD	2792	206	280	07.06-08.08	*	
					[CAMBIADO]:Fastback (Large family car-D Segment)				
VECTRA C (Z02) 08.02-									
2.8 V6 Turbo (F68) (Z 28 NEL)		Gasolina	FWD	2792	169	230	08.05-08.08	*	
2.8 V6 Turbo (F68) (Z 28 NET)		Gasolina	FWD	2792	184	250	08.05-08.08	*	
2.8 V6 Turbo (F68) (Z 28 NET)		Gasolina	FWD	2792	188	255	08.05-09.08	*	
2.8 V6 Turbo (F68) (Z 28 NET)		Gasolina	FWD	2792	206	280	08.06-08.08	*	
					Sedán (Large family car-D Segment)				
VECTRA C (Z02) 04.02-									
2.8 V6 Turbo (F69) (Z 28 NEL)		Gasolina	FWD	2792	169	230	08.05-10.06	*	
2.8 V6 Turbo (F69) (Z 28 NET)		Gasolina	FWD	2792	184	250	08.05-08.08	*	
2.8 V6 Turbo (F69) (Z 28 NET)		Gasolina	FWD	2792	188	255	08.05-09.06	*	
2.8 V6 Turbo OPC (F69) (Z 28 NET)		Gasolina	FWD	2792	206	280	09.06-08.08	*	

SAAB

					[CAMBIADO]:Break (Compact executive car-D Segment)			
9-3 II (E50) 03.05-02.15								
All models		Gasolina	FWD				09.05-	*
1.8 i (Z 18 XE)		Gasolina	FWD	1796	90	122	03.05-02.15	*
1.8 T (B207E)		Gasolina	FWD	1998	110	150	03.05-02.15	*
1.8 T (B207E)		Gasolina	FWD	1998	110	150	03.05-02.15	*
2.0 T (B207E)		Gasolina	FWD	1998	110	150	03.05-02.15	*
2.0 T (B207G)		Gasolina	FWD	1998	120	163	01.07-02.15	*
2.0 t XWD (B207G)		Gasolina	4WD	1998	120	163	01.07-02.15	*
2.0 T (B207L)		Gasolina	FWD	1998	129	175	03.05-02.15	*
2.0 T16 (B207L)		Gasolina	FWD	1998	143	194	04.06-02.15	*
2.0 T (B207M)		Gasolina	FWD	1998	147	200	02.09-02.15	*
2.0 T (B207R)		Gasolina	FWD	1998	154	209	03.05-02.15	*
2.0 t XWD (B207R)		Gasolina	4WD	1998	154	209	06.08-02.15	*
2.0 T (A 20 NFT)		Gasolina	FWD	1998	162	220	01.11-02.15	*
2.0 t XWD (A 20 NFT)		Gasolina	4WD	1998	162	220	01.11-02.15	*
2.0 T (B207R)		Gasolina	FWD	1998	177	241	05.09-02.15	*
2.0 t XWD (B207R)		Gasolina	4WD	1998	177	241	05.09-02.15	*
2.8 Turbo V6 (B284L)		Gasolina	FWD	2792	169	230	03.05-02.15	*
2.8 Turbo V6 (LP9)		Gasolina	FWD	2792	184	250	03.05-02.15	*
2.8 Turbo V6 (B284L)		Gasolina	FWD	2792	188	256	12.07-02.15	*
2.8 Turbo V6 (B284R)		Gasolina	FWD	2792	203	276	05.08-02.15	*
2.8 Turbo V6 XWD (B284R)		Gasolina	4WD	2792	206	280	05.08-12.11	*
2.0 t Biopower (B207E)		Gasol./Etanol	FWD	1998	110	150	01.07-02.15	*
2.0 t Biopower (B207H)		Gasol./Etanol	FWD	1998	120	163	01.11-02.15	*
2.0 t BioPower XWD (B207H)		Gasol./Etanol	4WD	1998	120	163	01.07-02.15	*
2.0 t Biopower (B207L)		Gasol./Etanol	FWD	1998	129	175	01.07-02.15	*
2.0 t Biopower (B207R)		Gasol./Etanol	FWD	1998	145	197	06.07-02.15	*

LISTA DE APLICACIONES - BUYERS GUIDE

2.0 t Biopower (B207M)		Gasol./Etanol	FWD	1998	147	200	02.09-02.15	*	
2.0 t BioPower XWD (B207R)		Gasol./Etanol	4WD	1998	154	209	06.08-02.15	*	
2.0 t Biopower (A 20 NFT)		Gasol./Etanol	FWD	1998	162	220	01.11-02.15	*	
2.0 t BioPower XWD (A 20 NFT)		Gasol./Etanol	4WD	1998	162	220	01.11-02.15	*	
1.9 TiD (Z 19 DT)		Diesel	FWD	1910	88	120	03.05-02.15	*	
1.9 TTiD (A 19 DTR)		Diesel	FWD	1910	96	130	12.07-02.15	*	
1.9 TiD (Z 19 DTH)		Diesel	FWD	1910	110	150	03.05-02.15	*	
1.9 TTiD (A 19 DTR)		Diesel	FWD	1910	118	160	12.07-02.15	*	
1.9 TTiD (Z 19 DTR)		Diesel	FWD	1910	132	180	12.07-02.15	*	
9-3 II (YS3F) 08.03-02.15							Cabrio (Compact executive car-D Segment)		
1.8 i (Z 18 XE)		Gasolina	FWD	1796	90	122	01.04-02.15	*	
1,8t (B207E)		Gasolina	FWD	1998	110	150	08.03-02.15	*	
2.0 T (B207G)		Gasolina	FWD	1998	120	163	01.11-02.15	*	
2.0 T (B207L)		Gasolina	FWD	1998	129	175	08.03-02.15	*	
2.0 (B207L)		Gasolina	FWD	1998	143	194	04.06-09.07	*	
2.0 T (B207R)		Gasolina	FWD	1998	154	210	08.03-02.15	*	
2.0 T (A 20 NFT)		Gasolina	FWD	1998	162	220	01.11-02.15	*	
2.0 Turbo Performance (B207R)		Gasolina	FWD	1998	185	252	04.04-02.15	*	
2.8 Turbo V6 (LP9)		Gasolina	FWD	2792	169	230	02.06-02.15	*	
2.8 Turbo V6 (LP9)		Gasolina	FWD	2792	184	250	02.06-02.15	*	
2.8 Turbo V6 (B284L)		Gasolina	FWD	2792	188	256	12.07-02.15	*	
2.8 Turbo V6 (B284R)		Gasolina	FWD	2792	203	276	02.09-02.15	*	
2.8 Turbo V6 (B284R)		Gasolina	FWD	2792	206	280	02.09-02.15	*	
1,8t BioPower (B207E)		Gasol./Etanol	FWD	1998	110	150	01.07-02.15	*	
2.0 t Biopower (B207H)		Gasol./Etanol	FWD	1998	120	163	01.11-02.15	*	
2.0 t Biopower (B207L)		Gasol./Etanol	FWD	1998	129	175	01.07-02.15	*	
2.0 t Biopower (B207L)		Gasol./Etanol	FWD	1998	129	175	01.07-02.15	*	
2.0 t Biopower		Gasol./Etanol	FWD	1998	145	197	06.07-02.15	*	
2.0 t Biopower (B207M)		Gasol./Etanol	FWD	1998	147	200	06.07-02.15	*	
2.0 t Biopower (A 20 NFT)		Gasol./Etanol	FWD	1998	162	220	01.11-02.15	*	
1.9 TiD (Z 19 DT)		Diesel	FWD	1910	88	120	09.04-02.15	*	
1.9 TTiD (A 19 DTR)		Diesel	FWD	1910	96	130	12.07-02.15	*	
1.9 TiD (Z 19 DTH)		Diesel	FWD	1910	110	150	01.06-02.15	*	
1.9 TTiD (A 19 DTR)		Diesel	FWD	1910	118	160	12.07-02.15	*	
1.9 TTiD (A 19 DTR)		Diesel	FWD	1910	132	180	12.07-02.15	*	
1.9 TTiD (Z 19 DTR)		Diesel	FWD	1910	132	180	12.07-02.15	*	
9-3 II (YS3F, E79, D79, D75) 09.02-02.15							Sedán (Compact executive car-D Segment)		
1.8 i (Z 18 XE)		Gasolina	FWD	1796	90	122	01.04-02.15	*	
1,8t (B207E)		Gasolina	FWD	1998	110	150	09.02-02.15	*	
2.0 T (B207G)		Gasolina	FWD	1998	120	163	01.07-02.15	*	
2.0 t XWD (B207G)		Gasolina	4WD	1998	120	163	01.07-02.15	*	
2.0 T (B207L)		Gasolina	FWD	1998	129	175	09.02-02.15	*	
2.0 T16		Gasolina	FWD	1998	143	194	06.06-02.15	*	
2.0 T (B207R)		Gasolina	FWD	1998	154	210	09.02-02.15	*	
2.0 Turbo XWD (B207R)		Gasolina	4WD	1998	154	210	01.08-02.15	*	

LISTA DE APLICACIONES - BUYERS GUIDE

2.0 T (A 20 NFT)		Gasolina	FWD	1998	162	220	01.11-02.15	*	
2.0 t XWD (A 20 NFT)		Gasolina	4WD	1998	162	220	01.08-02.15	*	
2.0 T (B207R)		Gasolina	FWD	1998	177	241	05.09-02.15	*	
2.0 t XWD (B207R)		Gasolina	4WD	1998	177	241	05.09-02.15	*	
2.0 Turbo Performance (B207R)		Gasolina	FWD	1998	185	252	04.04-02.15	*	
2.8 Turbo V6 (LP9)		Gasolina	FWD	2792	169	230	03.05-02.15	*	
2.8 Turbo V6 (LP9)		Gasolina	FWD	2792	184	250	03.05-02.15	*	
2.8 Turbo V6 (B284L)		Gasolina	FWD	2792	188	256	12.07-02.15	*	
2.8 Turbo V6 (B284L)		Gasolina	FWD	2792	203	276	04.08-02.15	*	
2.8 Turbo V6 XWD (B284R)		Gasolina	4WD	2792	206	280	05.08-12.11	*	
1,8t BioPower (B207E)		Gasol./Etanol	FWD	1998	110	150	01.07-02.15	*	
2.0 t Biopower (B207H)		Gasol./Etanol	FWD	1998	120	163	01.07-02.15	*	
2.0 t BioPower XWD (B207H)		Gasol./Etanol	4WD	1998	120	163	01.08-02.15	*	
1,8t BioPower (B207L)		Gasol./Etanol	FWD	1998	129	175	05.09-12.11	*	
2.0 t Biopower (B207L)		Gasol./Etanol	FWD	1998	129	175	01.07-02.15	*	
2.0 t Biopower (B207R)		Gasol./Etanol	FWD	1998	145	197	06.07-02.15	*	
2.0 t Biopower (B207M)		Gasol./Etanol	FWD	1998	147	200	05.09-02.15	*	
2.0 t Biopower (B207R)		Gasol./Etanol	FWD	1998	154	210	09.02-02.15	*	
2.0 t BioPower XWD (B207R)		Gasol./Etanol	4WD	1998	154	210	01.08-02.15	*	
2.0 t Biopower (A 20 NFT)		Gasol./Etanol	FWD	1998	162	220	01.11-02.15	*	
2.0 t BioPower XWD (A 20 NFT)		Gasol./Etanol	4WD	1998	162	220	01.08-02.15	*	
1.9 TiD (Z 19 DT)		Diesel	FWD	1910	88	120	09.04-02.15	*	
1.9 TTiD (A 19 DTR)		Diesel	FWD	1910	96	130	12.07-02.15	*	
1.9 TiD (Z 19 DTH)		Diesel	FWD	1910	110	150	09.04-02.15	*	
1.9 TTiD (A 19 DTR)		Diesel	FWD	1910	118	160	12.07-02.15	*	
1.9 TTiD (A 19 DTR)		Diesel	FWD	1910	132	180	12.07-02.15	*	
1.9 TTiD (Z 19 DTR)		Diesel	FWD	1910	132	180	12.07-02.15	*	
2.2 TiD (D223L)		Diesel	FWD	2171	92	125	09.02-02.15	*	
9-3X (YS3) 02.09-02.15							[CAMBIADO]:Break (Compact executive car-D Segment)		
2.0 t XWD (B207R)		Gasolina	4WD	1998	154	209	02.09-02.15	*	
2.0 T16 XWD (A 20 NFT)		Gasolina	4WD	1998	162	220	01.11-02.15	*	
2.0 t BioPower XWD (B207R)		Gasol./Etanol	4WD	1998	154	209	02.09-12.12	*	
2.0 t BioPower XWD (A 20 NFT)		Gasol./Etanol	4WD	1998	162	220	01.11-12.12	*	
1.9 TTiD AWD (A 19 DTR)		Diesel	4WD	1910	132	180	02.09-12.12	*	
1.9 TTiD AWD (Z 19 DTR)		Diesel	4WD	1910	132	180	02.09-12.12	*	
VAUXHALL									
SIGNUM (Z03) 03.03-10.08							[CAMBIADO]:Fastback (Large family car-D Segment)		
2.8 V6 Turbo (Z 28 NET)		Gasolina	FWD	2792	184	250	05.07-10.08	*	
VECTRA Mk II (C) (Z02) 10.03-05.09							[CAMBIADO]:Break (Large family car-D Segment)		
2.8 V6 Turbo (Z 28 NET)		Gasolina	FWD	2792	188	255	08.06-05.09	*	
2.8 V6 Turbo (Z 28 NET)		Gasolina	FWD	2792	206	280	10.06-05.09	*	
VECTRA Mk II (C) (Z02) 01.00-10.08							Sedán (Large family car-D Segment)		
2.8 V6 Turbo		Gasolina	FWD	2792	184	250	08.06-07.08	*	

LISTA DE APLICACIONES - BUYERS GUIDE

2.8 V6 Turbo		Gasolina	FWD	2792	188	255	08.05-07.08	*
VECTRA Mk II (C) GTS (Z02) 08.02-05.09				[CAMBIADO]:Fastback (Large family car-D Segment)				
2.8 V6 Turbo (Z 28 NET)		Gasolina	FWD	2792	184	250	02.06-05.09	*
2.8 V6 Turbo (Z 28 NET)		Gasolina	FWD	2792	188	255	08.05-08.06	*
2.8 V6 Turbo (Z 28 NET)		Gasolina	FWD	2792	206	280	10.06-05.09	*
VOLVO								
C30 (533) 09.06-12.13				[CAMBIADO]:Fastback (Compact car-C Segment)				
1.6 (B 4164 S3)		Gasolina	FWD	1596	74	100	10.06-12.12	*
1.8 (B 4184 S11)		Gasolina	FWD	1798	92	125	10.06-12.12	*
2.0 (B 4204 S3)		Gasolina	FWD	1999	107	145	10.06-12.12	*
2.4 i (B 5244 S4)		Gasolina	FWD	2435	125	170	10.06-12.12	*
T5 (B 5254 T3)		Gasolina	FWD	2521	162	220	10.06-12.12	*
T5 (B 5254 T7)		Gasolina	FWD	2521	169	230	03.07-12.12	*
T5		Gasolina	FWD	2521	184	250	10.07-12.13	*
1.8 Flexfuel (B 4184 S8)		Gasol./Etanol	FWD	1798	92	125	01.07-12.12	*
2.0 FlexFuel (B 4204 S4)		Gasol./Etanol	FWD	1999	107	146	01.10-12.12	*
1.6 D (D 4164 T)		Diesel	FWD	1560	80	109	10.06-12.12	*
D2 (D 4162 T)		Diesel	FWD	1560	84	115	10.10-12.12	*
D3 (D 5204 T5)		Diesel	FWD	1984	110	150	10.10-12.12	*
D4 (D 5204 T)		Diesel	FWD	1984	130	177	10.10-12.12	*
2.0 D (D 4204 T)		Diesel	FWD	1998	100	136	10.06-12.12	*
D5 (D 5244 T9)		Diesel	FWD	2400	120	163	10.06-12.12	*
D5 (D 5244 T13)		Diesel	FWD	2400	132	180	10.06-12.12	*
D5 (D 5244 T8)		Diesel	FWD	2400	132	180	10.06-12.12	*
C70 II (542) 03.06-12.13				Cabrio (Pony car-F Segment)				
2.4 (B 5244 S5)		Gasolina	FWD	2435	103	140	03.06-10.09	*
2.4 i (B 5244 S4)		Gasolina	FWD	2435	125	170	03.06-10.09	*
T5 (B 5254 T3)		Gasolina	FWD	2521	162	220	03.06-02.07	*
T5 (B 5254 T7)		Gasolina	FWD	2521	169	230	03.07-06.13	*
D3 (D 5204 T5)		Diesel	FWD	1984	110	150	10.10-06.13	*
D4 (D 5204 T)		Diesel	FWD	1984	130	177	10.10-06.13	*
2.0 D (D 4204 T)		Diesel	FWD	1998	100	136	01.08-10.09	*
2.4 D (D 5244 T9)		Diesel	FWD	2400	120	163	03.07-06.13	*
D5 (D 5244 T13)		Diesel	FWD	2400	132	180	03.06-06.13	*
D5 (D 5244 T8)		Diesel	FWD	2400	132	180	03.06-06.13	*
S40 II (544) 12.03-12.12				Sedán (Compact executive car-D Segment)				
1.6 (B 4164 S3)		Gasolina	FWD	1596	74	101	01.05-12.12	*
1.8 (B 4184 S11)		Gasolina	FWD	1798	92	125	04.04-12.10	*
2.0 (B 4204 S3)		Gasolina	FWD	1999	107	146	10.06-12.12	*
2.4 (B 5244 S5)		Gasolina	FWD	2435	103	140	01.04-12.10	*
2.4 (B 5244 S4)		Gasolina	FWD	2435	125	170	01.04-12.12	*
T5 (B 5254 T3)		Gasolina	FWD	2521	162	220	01.04-12.07	*
T5 AWD (B 5254 T3)		Gasolina	4WD	2521	162	220	04.04-12.07	*
T5 (B 5254 T7)		Gasolina	FWD	2521	169	230	03.07-12.12	*
T5 AWD (B 5254 T7)		Gasolina	4WD	2521	169	230	03.07-12.10	*
1.8 Flexfuel (B 4184 S8)		Gasol./Etanol	FWD	1798	92	125	01.06-12.10	*
2.0 F (B 4204 S4)		Gasol./Etanol	FWD	1999	107	146	10.09-12.12	*

LISTA DE APLICACIONES - BUYERS GUIDE

1.6 D (D 4164 T)		Diesel	FWD	1560	81	110	01.05-12.12	*	
D2 (D 4162 T)		Diesel	FWD	1560	84	115	10.10-12.12	*	
D3 (D 5204 T5)		Diesel	FWD	1984	110	150	10.10-12.12	*	
D4 (D 5204 T)		Diesel	FWD	1984	130	177	10.10-12.12	*	
D4 (D 4204 T2)		Diesel	FWD	1998	96	131	07.05-12.06	*	
2.0 CDI (D 4204 T2)		Diesel	FWD	1998	98	133	07.05-12.06	*	
2.0 D (D 4204 T)		Diesel	FWD	1998	100	136	01.04-12.10	*	
2.4 CDI (D 5244 T9)		Diesel	FWD	2400	120	163	03.07-12.10	*	
D5 (D 5244 T13)		Diesel	FWD	2400	132	179	03.06-12.10	*	
D5 (D 5244 T8)		Diesel	FWD	2400	132	179	03.06-12.10	*	
V40 (526) 10.12-08.19							[CAMBIADO]:Fastback (Compact executive car-D Segment)		
T3		Gasolina	FWD	1498	112	152	04.15-08.19	*	
T4 GTDi		Gasolina	FWD	1596	132	180	10.12-12.16	*	
T3		Gasolina	FWD	1969	112	152	02.15-08.19	*	
T4		Gasolina	FWD	1969	140	190	08.15-08.19	*	
T4 AWD (B 4204 T21)		Gasolina	4WD	1969	140	190	05.14-08.19	*	
T5 AWD (B 4204 T11)		Gasolina	4WD	1969	180	245	05.14-08.19	*	
T5 AWD (B 4204 T41)		Gasolina	4WD	1969	180	245	05.14-08.19	*	
T5 Polestar AWD (B 4204 T11)		Gasolina	4WD	1969	186	253	01.15-08.19	*	
T4		Gasolina	FWD	1984	132	180	10.13-12.15	*	
T4 AWD (B 5204 T8)		Gasolina	4WD	1984	132	180	07.13-12.15	*	
T5		Gasolina	FWD	1984	157	214	02.13-12.15	*	
T5 AWD (B 5204 T9)		Gasolina	4WD	1984	157	214	03.13-12.15	*	
T5		Gasolina	FWD	2497	183	249	01.14-12.15	*	
T5 AWD		Gasolina	4WD	2497	183	249	01.14-12.15	*	
T5		Gasolina	FWD	2497	187	254	10.12-12.16	*	
T5 AWD (B 5254 T12)		Gasolina	4WD	2497	187	254	10.12-12.16	*	
D2		Diesel	FWD	1560	84	114	10.12-12.16	*	
D2		Diesel	FWD	1969	88	120	02.15-08.19	*	
D3		Diesel	FWD	1969	110	150	04.15-08.19	*	
D4		Diesel	FWD	1969	140	190	05.14-08.19	*	
D4 Polestar		Diesel	FWD	1969	147	200	05.14-08.19	*	
D3		Diesel	FWD	1984	110	150	10.12-03.15	*	
D4		Diesel	FWD	1984	130	177	10.12-12.14	*	
V40 (526) 09.13-12.15							Furgón/hatchback (Compact executive car-D Segment)		
1.6 D2/ DRiVe		Diesel	FWD	1560	84	114	09.13-12.15	*	
2.0 D3		Diesel	FWD	1984	110	150	09.13-12.15	*	
2.0 D4		Diesel	FWD	1984	130	177	09.13-12.14	*	
V40 II (525) 03.12-							[CAMBIADO]:Fastback (Compact executive car-D Segment)		
T2 (B 4154 T3)		Gasolina	FWD	1498	90	122	02.15-08.19	*	
T2 (B 4154 T5)		Gasolina	FWD	1498	90	122	02.15-08.19	*	
T3		Gasolina	FWD	1498	90	122	09.18-	*	
T3 (B 4154 T2)		Gasolina	FWD	1498	112	152	02.15-08.19	*	
T3 (B 4154 T4)		Gasolina	FWD	1498	112	152	02.15-08.19	*	
T2 GTDi (B 4164 T4)		Gasolina	FWD	1596	88	120	04.13-12.16	*	
T3 GTDi (B 4164 T3)		Gasolina	FWD	1596	110	150	03.12-12.16	*	
T4 GTDi (B 4164 T)		Gasolina	FWD	1596	132	180	03.12-12.16	*	
T4 GTDi AWD		Gasolina	4WD	1596	132	180	03.12-	*	
T4 (B 4164 T)		Gasolina	FWD	1596	147	200	04.14-12.15	*	
2.0 T		Gasolina	FWD	1948	121	165	04.13-	*	

LISTA DE APLICACIONES - BUYERS GUIDE

T2 (B 4204 T17)		Gasolina	FWD	1969	90	122	02.15-08.19	*
T2 (B 4204 T38)		Gasolina	FWD	1969	90	122	02.15-08.19	*
T3 (B 4204 T33)		Gasolina	FWD	1969	112	152	02.15-08.19	*
T3 (B 4204 T37)		Gasolina	FWD	1969	112	152	02.15-08.19	*
T4 (B 4204 T19)		Gasolina	FWD	1969	140	190	08.15-08.19	*
T5 (B 4204 T11)		Gasolina	FWD	1969	180	245	05.14-08.19	*
T5 (B 4204 T41)		Gasolina	FWD	1969	180	245	05.14-08.19	*
T5 Drive-E Polestar (B 4204 T11)		Gasolina	FWD	1969	186	253	05.14-08.19	*
T4 (B 5204 T8)		Gasolina	FWD	1984	132	180	07.13-12.15	*
T5		Gasolina	FWD	1984	154	210	03.14-	*
T5 (B 5204 T9)		Gasolina	FWD	1984	157	214	03.13-12.15	*
2.4		Gasolina	FWD	2435	125	170	10.13-	*
T5 (B 5254 T14)		Gasolina	FWD	2497	183	249	01.14-12.14	*
T5 (B 5254 T12)		Gasolina	FWD	2497	187	254	12.12-12.14	*
D2 (D 4162 T)		Diesel	FWD	1560	84	114	03.12-12.16	*
D2 (D 4204 T13)		Diesel	FWD	1969	88	120	02.15-08.19	*
D2 (D 4204 T8)		Diesel	FWD	1969	88	120	02.15-08.19	*
D3 (D 4204 T16)		Diesel	FWD	1969	110	150	04.15-08.19	*
D3 (D 4204 T9)		Diesel	FWD	1969	110	150	04.15-08.19	*
D4 (D 4204 T14)		Diesel	FWD	1969	140	190	05.14-08.19	*
D4 Polestar (D 4204 T14)		Diesel	FWD	1969	147	200	05.14-08.19	*
D3 (D 5204 T6)		Diesel	FWD	1984	110	150	03.12-03.15	*
D4 (D 5204 T4)		Diesel	FWD	1984	130	177	03.12-12.14	*
V40 II (525) 09.13-12.15						Furgón/hatchback (Compact executive car-D Segment)		
1.6 D2/ DRIVe (D 4162 T)		Diesel	FWD	1560	84	114	09.13-12.15	*
2.0 D3 (D 5204 T6)		Diesel	FWD	1984	110	150	09.13-12.15	*
2.0 D4 (D 5204 T4)		Diesel	FWD	1984	130	177	09.13-12.14	*
V50 (545) 12.03-12.12						[CAMBIADO]:Break (Luxury car-F Segment)		
1.6 (B 4164 S3)		Gasolina	FWD	1596	74	101	01.05-12.12	*
1.8 (B 4184 S11)		Gasolina	FWD	1798	92	125	04.04-12.10	*
2.0 (B 4204 S3)		Gasolina	FWD	1999	107	146	10.06-12.12	*
2.4 (B 5244 S5)		Gasolina	FWD	2435	103	140	04.04-12.10	*
2.4 (B 5244 S4)		Gasolina	FWD	2435	125	170	04.04-12.10	*
2.4 AWD (B 5244 S4)		Gasolina	4WD	2435	125	170	08.06-12.09	*
T5 (B 5254 T3)		Gasolina	FWD	2521	162	220	04.04-12.07	*
T5 AWD (B 5254 T3)		Gasolina	4WD	2521	162	220	04.04-12.07	*
T5 (B 5254 T7)		Gasolina	FWD	2521	169	230	03.07-12.12	*
T5 AWD (B 5254 T7)		Gasolina	4WD	2521	169	230	03.07-12.10	*
1.8 Bifuel		Gasol./Gas (LPG)	FWD	1798	93	126	01.09-09.10	*
1.8 Flexfuel (B 4184 S8)		Gasol./Etanol	FWD	1798	92	125	01.05-12.10	*
2.0 FlexFuel (B 4204 S4)		Gasol./Etanol	FWD	1999	107	146	01.10-12.12	*
1.6 D (D 4164 T)		Diesel	FWD	1560	80	109	03.05-12.12	*
1.6 D (D 4164 T)		Diesel	FWD	1560	81	110	01.05-12.11	*
D2 (D 4162 T)		Diesel	FWD	1560	84	114	01.10-12.12	*
D3 (D 5204 T5)		Diesel	FWD	1984	110	150	10.10-12.12	*
D4 (D 5204 T)		Diesel	FWD	1984	130	177	10.10-12.12	*
2.0 D4 (D 4204 T2)		Diesel	FWD	1998	96	131	07.05-12.06	*
2.0 CDI (D 4204 T2)		Diesel	FWD	1998	98	133	12.03-12.06	*
2.0 D (D 4204 T)		Diesel	FWD	1998	100	136	04.04-12.10	*

LISTA DE APLICACIONES - BUYERS GUIDE

2.4 TDi (D 5244 T9)	Diesel	FWD	2400	120	163	05.07-12.10	*
D5 (D 5244 T13)	Diesel	FWD	2400	132	179	03.06-12.10	*
D5 (D 5244 T8)	Diesel	FWD	2400	132	179	03.06-12.10	*

VOLVO (CHANGAN)

S40 06.06-				Sedán (Compact car-C Segment)			
2.5	Gasolina	FWD	2521	162	220	06.06-12.10	*