

LISTA DE APLICACIONES - BUYERS GUIDE

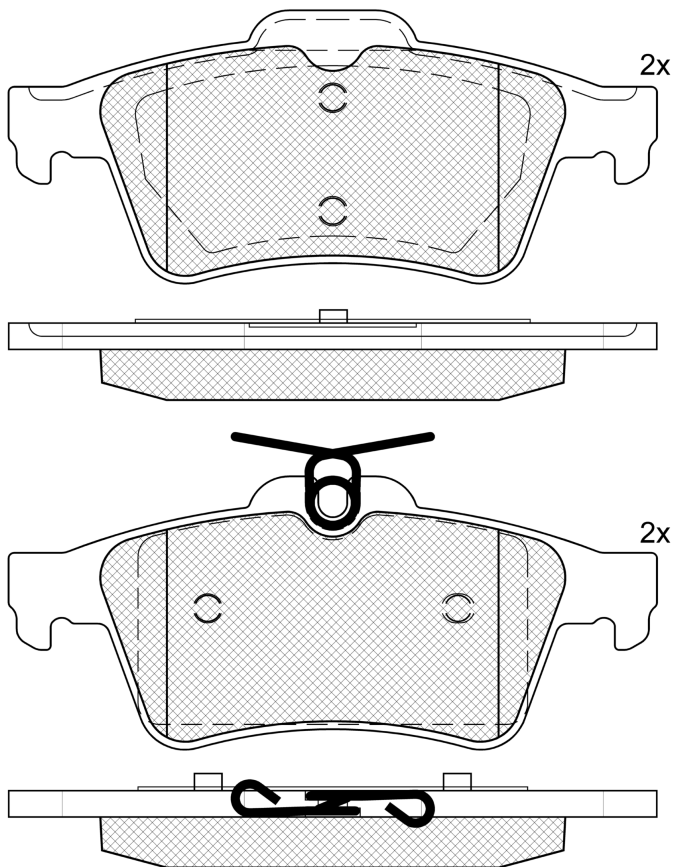
**RB1651-200**



Qty: 944

Weight: 1.005

O.E.M.	MAKE
3 134 132 4	VOLVO
463 420 56 00	MERCEDES-BENZ



**RB1651-200**

**E 9 90R-01110/570**



Ate - Teves

123.1x51.9x15.3

WVA	FMSI
23482	D1095-9367
24136	
24137	

Sin Filas



Trac.	CC	Kw	CV
-------	----	----	----



Front / Rear

**VOLVO**

						<b>[CAMBIADO]:Fastback (Compact executive car-D Segment)</b>					
<b>V40 II (525) 03.12-</b>											
D2 (D 4162 T)		Diesel	FWD	1560	84	114	03.12-12.16			*	
<b>V40 II (525) 09.13-12.15</b>						<b>Furgón/hatchback (Compact executive car-D Segment)</b>					
1.6 D2/ DRIVe (D 4162 T)		Diesel	FWD	1560	84	114	09.13-12.15			*	