

# LISTA DE APLICACIONES - BUYERS GUIDE

## RB1650-703

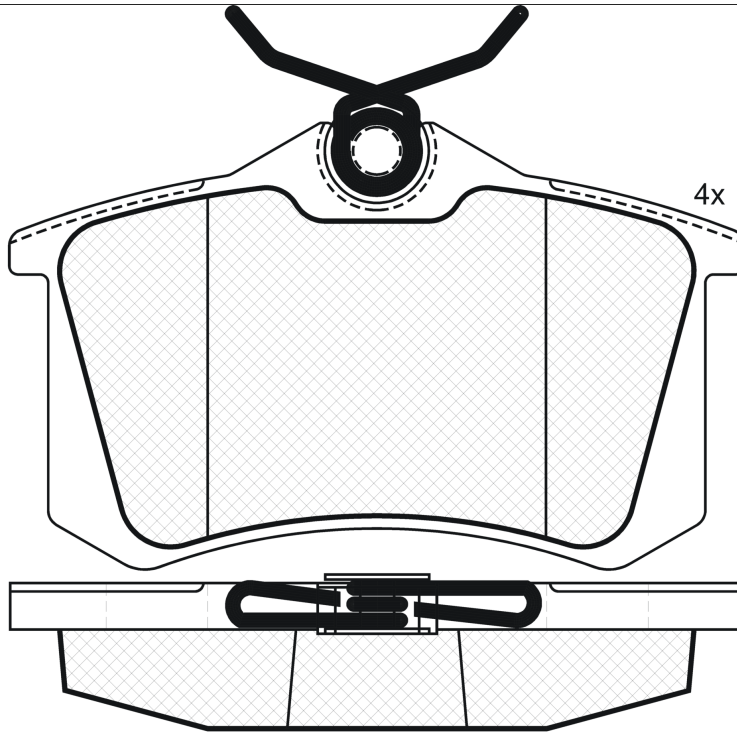


8 424073 132918

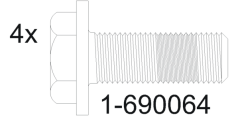
Qty: 944

Weight: 935

| O.E.M.        | MAKE    |
|---------------|---------|
| 16 070 832 80 | PEUGEOT |
| 16 092 528 80 | PEUGEOT |
| 16 168 726 80 | PEUGEOT |
| 16 197 906 80 | PEUGEOT |
| 4253.96       | PEUGEOT |
| 4254.20       | PEUGEOT |
| 44 06 008 19R | RENAULT |
| 44 06 020 70R | RENAULT |
| 44 06 024 66R | RENAULT |
| 44 06 035 11R | RENAULT |
| 44 06 035 30R | RENAULT |
| 44 06 057 13R | RENAULT |
| 44 06 058 39R | RENAULT |
| 44 06 064 18R | RENAULT |
| 44 06 073 24R | RENAULT |
| 44 06 079 60R | RENAULT |
| 44 06 613 32R | RENAULT |
| 60 25 371 650 | RENAULT |
| 77 01 207 695 | RENAULT |
| 77 01 208 213 | RENAULT |
| 77 01 208 416 | RENAULT |
| 77 01 208 421 | RENAULT |
| 77 01 209 735 | RENAULT |
| 77 01 209 841 | RENAULT |
| 8E0 698 451 B | AUDI    |



## 181650-703



## RB1650-703

E 9 90R-01110/1056



Lucas - Girling

87x52.8x16.4

**WVA**

23554

**FMSI**

D1112-7773

D1112-8216

D1798-9029

Sin Filas



| Trac. | CC | Kw | CV |
|-------|----|----|----|
|-------|----|----|----|



Front / Rear

### AUDI

#### A4 (U.S.A. B5) 12.94-12.01

#### Sedán (Compact executive car-D Segment)

| Model           | Engine   | Trac. | CC   | Kw | CV | Price  | Notes |
|-----------------|----------|-------|------|----|----|--------|-------|
| 1.8 20V         | Gasolina | FWD   | 1795 |    |    | 12.94- | *     |
| 1.8 20V         | Gasolina | FWD   | 1795 |    |    | 12.94- | *     |
| 1.8 20V         | Gasolina | FWD   | 1795 |    |    | 12.94- | *     |
| 1.8 20V         | Gasolina | FWD   | 1795 |    |    | 12.94- | *     |
| 1.8 20V Quattro | Gasolina | FWD   | 1795 |    |    | 12.94- | *     |
| 1.8 20V Quattro | Gasolina | FWD   | 1795 |    |    | 12.94- | *     |
| 2.0             | Gasolina | FWD   | 1995 |    |    | 12.94- | *     |
| 2.0 16V quattro | Gasolina | FWD   | 1995 |    |    | 12.94- | *     |
| 2.0 16V quattro | Gasolina | FWD   | 1995 |    |    | 12.94- | *     |
| 2.8 30V         | Gasolina | FWD   | 2795 |    |    | 12.94- | *     |
| 2.8 30V         | Gasolina | FWD   | 2795 |    |    | 12.94- | *     |
| 3.0 30V         | Gasolina | FWD   | 2995 |    |    | 12.94- | *     |
| 3.0 30V         | Gasolina | FWD   | 2995 |    |    | 12.94- | *     |
| 3.0 30V         | Gasolina | FWD   | 2995 |    |    | 12.94- | *     |
| 3.0 30V         | Gasolina | FWD   | 2995 |    |    | 12.94- | *     |
| 3.0 30V         | Gasolina | FWD   | 2995 |    |    | 12.94- | *     |
| 3.0 30V Quattro | Gasolina | FWD   | 2995 |    |    | 12.94- | *     |
| 3.0 30V Quattro | Gasolina | FWD   | 2995 |    |    | 12.94- | *     |
| 3.0 30V Quattro | Gasolina | FWD   | 2995 |    |    | 12.94- | *     |
| 3.0 30V Quattro | Gasolina | FWD   | 2995 |    |    | 12.94- | *     |

# LISTA DE APLICACIONES - BUYERS GUIDE

| <b>A4 II B6 (8H7) 01.02-12.09</b> |  |          |     |      | <b>Cabrio (Compact executive car-D Segment)</b> |     |             |   |
|-----------------------------------|--|----------|-----|------|---|-----|-------------|---|
| 1.8 T (BFB)                       |  | Gasolina | FWD | 1781 | 120   | 163 | 07.02-12.05 | * |
| 1.8 T quattro (BFB)               |  | Gasolina | 4WD | 1781 | 120   | 163 | 05.03-12.05 | * |
| 1.8 T (AMB)                       |  | Gasolina | FWD | 1781 | 125   | 170 | 10.02-10.05 | * |
| 2.0 (ALT)                         |  | Gasolina | FWD | 1984 | 96  | 130 | 09.04-12.05 | * |
| 2.4 (AMM)                         |  | Gasolina | FWD | 2393 | 120   | 163 | 04.02-12.05 | * |
| 2.4 (BDV)                         |  | Gasolina | FWD | 2393 | 125   | 170 | 04.02-12.05 | * |
| 3.0 (BBJ)                         |  | Gasolina | FWD | 2976 | 160   | 218 | 04.02-12.05 | * |
| 3.0 (ASN)                         |  | Gasolina | FWD | 2976 | 162   | 220 | 04.02-12.05 | * |
| 3.0 (AVK)                         |  | Gasolina | FWD | 2976 | 162   | 220 | 04.02-12.05 | * |
| 3.0 (BGN)                         |  | Gasolina | FWD | 2976 | 162   | 220 | 04.02-12.05 | * |
| 3.0 quattro (ASN)                 |  | Gasolina | 4WD | 2976 | 162   | 220 | 05.03-12.05 | * |
| 3.0 quattro (AVK)                 |  | Gasolina | 4WD | 2976 | 162   | 220 | 05.03-12.05 | * |
| 3.0 quattro (BGN)                 |  | Gasolina | 4WD | 2976 | 162   | 220 | 05.03-12.05 | * |
| 2.5 TDI (BCZ)                     |  | Diesel   | FWD | 2496 | 120   | 163 | 08.02-12.05 | * |
| 2.5 TDI (BDG)                     |  | Diesel   | FWD | 2496 | 120   | 163 | 08.02-12.05 | * |
| 2.5 TDI (BFC)                     |  | Diesel   | FWD | 2496 | 120   | 163 | 08.02-12.05 | * |
| <b>A4 II B6 (8E2) 11.00-12.05</b> |  |          |     |      | <b>Sedán (Compact executive car-D Segment)</b>  |     |             |   |
| 1.6 (ALZ)                         |  | Gasolina | FWD | 1595 | 75  | 102 | 11.00-12.04 | * |
| 1.8 T (AVJ)                       |  | Gasolina | FWD | 1781 | 110   | 150 | 11.00-07.02 | * |
| 1.8 T quattro (AVJ)               |  | Gasolina | 4WD | 1781 | 110   | 150 | 11.00-07.02 | * |
| 1.8 T (BFB)                       |  | Gasolina | FWD | 1781 | 120   | 163 | 07.02-12.04 | * |
| 1.8 T quattro (BFB)               |  | Gasolina | 4WD | 1781 | 120   | 163 | 07.02-12.04 | * |
| 1.8 T (AMB)                       |  | Gasolina | FWD | 1781 | 125   | 170 | 07.01-12.04 | * |
| 1.8 T quattro (AMB)               |  | Gasolina | 4WD | 1781 | 125   | 170 | 07.01-12.04 | * |
| 1.8 T quattro (AWM)               |  | Gasolina | 4WD | 1781 | 125   | 170 | 07.01-12.04 | * |
| 1.8 T (BEX)                       |  | Gasolina | FWD | 1781 | 140   | 190 | 11.02-12.04 | * |
| 1.8 T quattro (BEX)               |  | Gasolina | 4WD | 1781 | 140   | 190 | 11.02-12.04 | * |
| 2.0 (ALT)                         |  | Gasolina | FWD | 1984 | 96  | 130 | 11.00-12.04 | * |
| 2.0 FSI (AWA)                     |  | Gasolina | FWD | 1984 | 110   | 150 | 07.02-12.04 | * |
| 2.4 (AMM)                         |  | Gasolina | FWD | 2393 | 120   | 163 | 09.01-12.04 | * |
| 2.4 (BDV)                         |  | Gasolina | FWD | 2393 | 125   | 170 | 09.01-12.04 | * |
| 3.0 (BBJ)                         |  | Gasolina | FWD | 2976 | 160   | 218 | 04.01-12.04 | * |
| 3.0 quattro (BBJ)                 |  | Gasolina | 4WD | 2976 | 160   | 218 | 04.01-12.04 | * |
| 3.0 (ASN)                         |  | Gasolina | FWD | 2976 | 162   | 220 | 11.00-12.04 | * |
| 3.0 (AVK)                         |  | Gasolina | FWD | 2976 | 162   | 220 | 11.00-12.04 | * |
| 3.0 quattro (ASN)                 |  | Gasolina | 4WD | 2976 | 162   | 220 | 11.00-12.04 | * |
| 3.0 quattro (AVK)                 |  | Gasolina | 4WD | 2976 | 162   | 220 | 11.00-12.04 | * |
| 1.9 TDI (AVB)                     |  | Diesel   | FWD | 1896 | 74  | 101 | 05.01-12.04 | * |
| 1.9 TDI (BKE)                     |  | Diesel   | FWD | 1896 | 85  | 116 | 06.04-12.04 | * |
| 1.9 TDI (AVF)                     |  | Diesel   | FWD | 1896 | 96  | 130 | 11.00-12.04 | * |
| 1.9 TDI (AWX)                     |  | Diesel   | FWD | 1896 | 96  | 130 | 11.00-12.04 | * |
| 1.9 TDI quattro (AVF)             |  | Diesel   | 4WD | 1896 | 96  | 130 | 11.01-12.04 | * |
| 2.5 TDI (AYM)                     |  | Diesel   | FWD | 2496 | 114   | 155 | 08.01-07.02 | * |
| 2.5 TDI (BCZ)                     |  | Diesel   | FWD | 2496 | 120   | 163 | 07.02-12.04 | * |
| 2.5 TDI (BDG)                     |  | Diesel   | FWD | 2496 | 120   | 163 | 07.02-12.04 | * |
| 2.5 TDI (BFC)                     |  | Diesel   | FWD | 2496 | 120   | 163 | 07.02-12.04 | * |
| 2.5 TDI quattro (AKE)             |  | Diesel   | 4WD | 2496 | 132   | 180 | 11.00-12.04 | * |
| 2.5 TDI quattro (BAU)             |  | Diesel   | 4WD | 2496 | 132   | 180 | 11.00-12.04 | * |
| 2.5 TDI quattro (BDH)             |  | Diesel   | 4WD | 2496 | 132   | 180 | 11.00-12.04 | * |

# LISTA DE APLICACIONES - BUYERS GUIDE

| <b>A4 II B6 Avant (8E5) 02.00-12.05</b>  |          |     |      |     | <b>[CAMBIADO]:Break (Compact executive car-D Segment)</b> |             |   |  |
|--|----------|-----|------|-----|---|-------------|---|--|
| 1.6 (ALZ)                                | Gasolina | FWD | 1595 | 75  | 102   | 09.01-12.04 | * |  |
| 1.8 T (AVJ)                              | Gasolina | FWD | 1781 | 110 | 150   | 09.01-07.02 | * |  |
| 1.8 T quattro (AVJ)                      | Gasolina | 4WD | 1781 | 110 | 150   | 09.01-07.02 | * |  |
| 1.8 T (BFB)                              | Gasolina | FWD | 1781 | 120 | 163   | 07.02-12.04 | * |  |
| 1.8 T quattro (BFB)                      | Gasolina | 4WD | 1781 | 120 | 163   | 07.02-12.04 | * |  |
| 1.8 T quattro (AMB)                      | Gasolina | 4WD | 1781 | 125 | 170   | 09.01-12.04 | * |  |
| 1.8 T (BEX)                              | Gasolina | FWD | 1781 | 140 | 190   | 11.02-12.04 | * |  |
| 1.8 T quattro (BEX)                      | Gasolina | 4WD | 1781 | 140 | 190   | 11.02-12.04 | * |  |
| 2.0 (ALT)                                | Gasolina | FWD | 1984 | 96  | 130   | 09.01-12.04 | * |  |
| 2.0 FSI (AWA)                            | Gasolina | FWD | 1984 | 110 | 150   | 07.02-12.04 | * |  |
| 2.4 (AMM)                                | Gasolina | FWD | 2393 | 120 | 163   | 09.01-12.04 | * |  |
| 2.4 (BDV)                                | Gasolina | FWD | 2393 | 125 | 170   | 09.01-12.04 | * |  |
| 3.0 (BBJ)                                | Gasolina | FWD | 2976 | 160 | 218   | 04.01-12.04 | * |  |
| 3.0 quattro (BBJ)                        | Gasolina | 4WD | 2976 | 160 | 218   | 04.01-12.04 | * |  |
| 3.0 (ASN)                                | Gasolina | FWD | 2976 | 162 | 220   | 09.01-12.04 | * |  |
| 3.0 quattro (ASN)                        | Gasolina | 4WD | 2976 | 162 | 220   | 09.01-12.04 | * |  |
| 3.0 quattro (AVK)                        | Gasolina | 4WD | 2976 | 162 | 220   | 09.01-12.04 | * |  |
| 1.9 TDI (AVB)                            | Diesel   | FWD | 1896 | 74  | 101   | 11.01-12.04 | * |  |
| 1.9 TDI (BKE)                            | Diesel   | FWD | 1896 | 85  | 116   | 06.04-12.04 | * |  |
| 1.9 TDI (AVF)                            | Diesel   | FWD | 1896 | 96  | 130   | 09.01-12.04 | * |  |
| 1.9 TDI (AWX)                            | Diesel   | FWD | 1896 | 96  | 130   | 09.01-12.04 | * |  |
| 1.9 TDI quattro (AVF)                    | Diesel   | 4WD | 1896 | 96  | 130   | 11.01-12.04 | * |  |
| 2.5 TDI (AYM)                            | Diesel   | FWD | 2496 | 114 | 155   | 09.01-07.02 | * |  |
| 2.5 TDI (BCZ)                            | Diesel   | FWD | 2496 | 120 | 163   | 07.02-12.04 | * |  |
| 2.5 TDI (BDG)                            | Diesel   | FWD | 2496 | 120 | 163   | 07.02-12.04 | * |  |
| 2.5 TDI (BFC)                            | Diesel   | FWD | 2496 | 120 | 163   | 07.02-12.04 | * |  |
| 2.5 TDI quattro (AKE)                    | Diesel   | 4WD | 2496 | 132 | 180   | 09.01-12.04 | * |  |
| 2.5 TDI quattro (BAU)                    | Diesel   | 4WD | 2496 | 132 | 180   | 09.01-12.04 | * |  |
| 2.5 TDI quattro (BDH)                    | Diesel   | 4WD | 2496 | 132 | 180   | 09.01-12.04 | * |  |
| <b>A4 III B7 Avant (8ED) 11.04-11.08</b> |          |     |      |     | <b>[CAMBIADO]:Break (Compact executive car-D Segment)</b> |             |   |  |
| 1.6 (ALZ)                                | Gasolina | FWD | 1595 | 75  | 102   | 11.04-06.08 | * |  |
| 1.8 T (BFB)                              | Gasolina | FWD | 1781 | 120 | 163   | 11.04-06.08 | * |  |
| 1.8 T quattro (BFB)                      | Gasolina | 4WD | 1781 | 120 | 163   | 11.04-06.08 | * |  |
| 2.0 (ALT)                                | Gasolina | FWD | 1984 | 96  | 130   | 11.04-06.08 | * |  |
| 2.0 FSI                                  | Gasolina | FWD | 1984 | 110 | 150   | 01.05-07.05 | * |  |
| 2.0 TFSI (BPJ)                           | Gasolina | FWD | 1984 | 125 | 170   | 10.06-06.08 | * |  |
| 2.0 TFSI (BYK)                           | Gasolina | FWD | 1984 | 125 | 170   | 10.06-06.08 | * |  |
| 2.0 TFSI (BGB)                           | Gasolina | FWD | 1984 | 147 | 200   | 11.04-06.08 | * |  |
| 2.0 TFSI (BPG)                           | Gasolina | FWD | 1984 | 147 | 200   | 11.04-06.08 | * |  |
| 2.0 TFSI (BWE)                           | Gasolina | FWD | 1984 | 147 | 200   | 11.04-06.08 | * |  |
| 2.0 TFSI quattro (BGB)                   | Gasolina | 4WD | 1984 | 147 | 200   | 11.04-06.08 | * |  |
| 2.0 TFSI quattro (BPG)                   | Gasolina | 4WD | 1984 | 147 | 200   | 11.04-06.08 | * |  |
| 2.0 TFSI quattro (BWE)                   | Gasolina | 4WD | 1984 | 147 | 200   | 11.04-06.08 | * |  |
| 2.0 TFSI quattro (BWT)                   | Gasolina | 4WD | 1984 | 147 | 200   | 11.04-06.08 | * |  |
| 2.0 TFSI (BUL)                           | Gasolina | FWD | 1984 | 162 | 220   | 06.05-06.08 | * |  |
| 2.0 TFSI quattro (BUL)                   | Gasolina | 4WD | 1984 | 162 | 220   | 06.05-06.08 | * |  |
| 3.0 (BBJ)                                | Gasolina | FWD | 2976 | 160 | 218   | 11.04-05.06 | * |  |
| 3.0 quattro (BBJ)                        | Gasolina | 4WD | 2976 | 160 | 218   | 11.04-07.06 | * |  |
| 3.2 FSI (AUK)                            | Gasolina | FWD | 3123 | 188 | 255   | 01.05-06.08 | * |  |

# LISTA DE APLICACIONES - BUYERS GUIDE

|                                    |  |          |     |      |   |     |             |   |
|------------------------------------|--|----------|-----|------|---|-----|-------------|---|
| 3.2 FSI quattro (AUK)              |  | Gasolina | 4WD | 3123 | 188   | 255 | 01.05-06.08 | * |
| 3.2 FSI quattro (BKH)              |  | Gasolina | 4WD | 3123 | 188   | 255 | 01.05-06.08 | * |
| 1.9 TDI (BKE)                      |  | Diesel   | FWD | 1896 | 85  | 116 | 11.04-06.08 | * |
| 1.9 TDI (BRB)                      |  | Diesel   | FWD | 1896 | 85  | 116 | 11.04-06.08 | * |
| 2.0 TDI (BVG)                      |  | Diesel   | FWD | 1968 | 89  | 121 | 09.05-09.06 | * |
| 2.0 TDI (BVF)                      |  | Diesel   | FWD | 1968 | 93  | 126 | 11.05-11.06 | * |
| 2.0 TDI (BNA)                      |  | Diesel   | FWD | 1968 | 100   | 136 | 11.04-06.08 | * |
| 2.0 TDI (BRF)                      |  | Diesel   | FWD | 1968 | 100   | 136 | 11.04-06.08 | * |
| 2.0 TDI (BPW)                      |  | Diesel   | FWD | 1968 | 103   | 140 | 11.04-06.08 | * |
| 2.0 TDI 16V (BLB)                  |  | Diesel   | FWD | 1968 | 103   | 140 | 11.04-06.08 | * |
| 2.0 TDI 16V (BRE)                  |  | Diesel   | FWD | 1968 | 103   | 140 | 11.04-06.08 | * |
| 2.0 TDI quattro (BPW)              |  | Diesel   | 4WD | 1968 | 103   | 140 | 01.06-06.08 | * |
| 2.0 TDI (BVA)                      |  | Diesel   | FWD | 1968 | 120   | 163 | 06.06-06.08 | * |
| 2.0 TDI quattro (BVA)              |  | Diesel   | 4WD | 1968 | 120   | 163 | 06.06-06.08 | * |
| 2.0 TDI (BRD)                      |  | Diesel   | FWD | 1968 | 125   | 170 | 06.06-06.08 | * |
| 2.0 TDI quattro (BRD)              |  | Diesel   | 4WD | 1968 | 125   | 170 | 06.06-06.08 | * |
| 2.5 TDI (BDG)                      |  | Diesel   | FWD | 2496 | 120   | 163 | 11.04-05.06 | * |
| 2.7 TDI (BSG)                      |  | Diesel   | FWD | 2698 | 120   | 163 | 11.05-03.08 | * |
| 2.7 TDI (BPP)                      |  | Diesel   | FWD | 2698 | 132   | 180 | 01.06-06.08 | * |
| 3.0 TDI quattro (BKN)              |  | Diesel   | 4WD | 2967 | 150   | 204 | 11.04-06.08 | * |
| 3.0 TDI quattro (ASB)              |  | Diesel   | 4WD | 2967 | 171   | 233 | 01.06-06.08 | * |
| <b>A4 III B7 (8HE) 01.02-01.10</b> |  |          |     |      | <b>Cabrio (Compact executive car-D Segment)</b> |     |             |   |
| 1.8 T                              |  | Gasolina | FWD | 1781 | 120   | 163 | 01.06-03.09 | * |
| 2.0 TDI (BRC)                      |  | Diesel   | FWD | 1968 | 100   | 136 | 01.06-03.09 | * |
| 2.0 TDI (BPW)                      |  | Diesel   | FWD | 1968 | 103   | 140 | 01.06-03.09 | * |
| 2.7 TDI (BPP)                      |  | Diesel   | FWD | 2698 | 132   | 180 | 06.06-03.09 | * |
| <b>A4 III B7 (8EC) 11.04-01.09</b> |  |          |     |      | <b>Sedán (Compact executive car-D Segment)</b>  |     |             |   |
| 1.6 (ALZ)                          |  | Gasolina | FWD | 1595 | 75  | 102 | 11.04-06.08 | * |
| 1.8 T (BFB)                        |  | Gasolina | FWD | 1781 | 120   | 163 | 11.04-06.08 | * |
| 1.8 T quattro (BFB)                |  | Gasolina | 4WD | 1781 | 120   | 163 | 11.04-06.08 | * |
| 2.0 (ALT)                          |  | Gasolina | FWD | 1984 | 96  | 130 | 11.04-06.08 | * |
| 2.0 FSI                            |  | Gasolina | FWD | 1984 | 110   | 150 | 01.05-07.05 | * |
| 2.0 TFSI (BPJ)                     |  | Gasolina | FWD | 1984 | 125   | 170 | 10.06-06.08 | * |
| 2.0 TFSI (BYK)                     |  | Gasolina | FWD | 1984 | 125   | 170 | 10.06-06.08 | * |
| 2.0 TFSI (BGB)                     |  | Gasolina | FWD | 1984 | 147   | 200 | 11.04-06.08 | * |
| 2.0 TFSI (BPG)                     |  | Gasolina | FWD | 1984 | 147   | 200 | 11.04-06.08 | * |
| 2.0 TFSI (BWE)                     |  | Gasolina | FWD | 1984 | 147   | 200 | 11.04-06.08 | * |
| 2.0 TFSI (BWT)                     |  | Gasolina | FWD | 1984 | 147   | 200 | 11.04-06.08 | * |
| 2.0 TFSI quattro (BGB)             |  | Gasolina | 4WD | 1984 | 147   | 200 | 11.04-06.08 | * |
| 2.0 TFSI quattro (BPG)             |  | Gasolina | 4WD | 1984 | 147   | 200 | 11.04-06.08 | * |
| 2.0 TFSI quattro (BWE)             |  | Gasolina | 4WD | 1984 | 147   | 200 | 11.04-06.08 | * |
| 2.0 TFSI quattro (BWT)             |  | Gasolina | 4WD | 1984 | 147   | 200 | 11.04-06.08 | * |
| 2.0 TFSI (BUL)                     |  | Gasolina | FWD | 1984 | 162   | 220 | 06.05-06.08 | * |
| 2.0 TFSI quattro (BUL)             |  | Gasolina | 4WD | 1984 | 162   | 220 | 06.05-06.08 | * |
| 3.0 (BBJ)                          |  | Gasolina | FWD | 2976 | 160   | 218 | 11.04-05.06 | * |
| 3.0 quattro (BBJ)                  |  | Gasolina | 4WD | 2976 | 160   | 218 | 11.04-07.06 | * |
| 3.2 FSI (AUK)                      |  | Gasolina | FWD | 3123 | 188   | 255 | 01.05-06.08 | * |
| 3.2 FSI quattro (AUK)              |  | Gasolina | 4WD | 3123 | 188   | 255 | 01.05-06.08 | * |
| 3.2 FSI quattro (BKH)              |  | Gasolina | 4WD | 3123 | 188   | 255 | 01.05-06.08 | * |
| 1.9 TDI (BKE)                      |  | Diesel   | FWD | 1896 | 85  | 116 | 11.04-06.08 | * |

# LISTA DE APLICACIONES - BUYERS GUIDE

|  |  |          |     |      |     |     |   |   |
|--|--|----------|-----|------|-----|-----|---|---|
| 1.9 TDI (BRB)                                |  | Diesel   | FWD | 1896 | 85  | 116 | 11.04-06.08                                       | * |
| 2.0 TDI (BVG)                                |  | Diesel   | FWD | 1968 | 89  | 121 | 09.05-09.06                                       | * |
| 2.0 TDI (BVF)                                |  | Diesel   | FWD | 1968 | 93  | 126 | 11.05-11.06                                       | * |
| 2.0 TDI (BNA)                                |  | Diesel   | FWD | 1968 | 100 | 136 | 11.04-06.08                                       | * |
| 2.0 TDI (BRF)                                |  | Diesel   | FWD | 1968 | 100 | 136 | 11.04-06.08                                       | * |
| 2.0 TDI (BPW)                                |  | Diesel   | FWD | 1968 | 103 | 140 | 11.04-06.08                                       | * |
| 2.0 TDI 16V (BLB)                            |  | Diesel   | FWD | 1968 | 103 | 140 | 11.04-06.08                                       | * |
| 2.0 TDI 16V (BRE)                            |  | Diesel   | FWD | 1968 | 103 | 140 | 11.04-06.08                                       | * |
| 2.0 TDI quattro (BPW)                        |  | Diesel   | 4WD | 1968 | 103 | 140 | 01.06-06.08                                       | * |
| 2.0 TDI (BVA)                                |  | Diesel   | FWD | 1968 | 120 | 163 | 06.06-06.08                                       | * |
| 2.0 TDI quattro (BVA)                        |  | Diesel   | 4WD | 1968 | 120 | 163 | 06.06-06.08                                       | * |
| 2.0 TDI (BRD)                                |  | Diesel   | FWD | 1968 | 125 | 170 | 06.06-06.08                                       | * |
| 2.0 TDI quattro (BRD)                        |  | Diesel   | 4WD | 1968 | 125 | 170 | 06.06-06.08                                       | * |
| 2.5 TDI (BDG)                                |  | Diesel   | FWD | 2496 | 120 | 163 | 11.04-05.06                                       | * |
| 2.7 TDI (BSG)                                |  | Diesel   | FWD | 2698 | 120 | 163 | 11.05-06.08                                       | * |
| 2.7 TDI (BPP)                                |  | Diesel   | FWD | 2698 | 132 | 180 | 01.06-06.08                                       | * |
| 3.0 TDI quattro (BKN)                        |  | Diesel   | 4WD | 2967 | 150 | 204 | 11.04-06.08                                       | * |
| 3.0 TDI quattro (ASB)                        |  | Diesel   | 4WD | 2967 | 171 | 233 | 01.06-06.08                                       | * |
| <b>A6 II C5 Avant (4B5, 4B6) 11.97-01.06</b> |  |          |     |      |     |     | <b>[CAMBIADO]:Break (Executive car-E Segment)</b> |   |
| 1.8 T (AEB)                                  |  | Gasolina | FWD | 1781 | 110 | 150 | 12.97-01.05                                       | * |
| 1.8 T (ANB)                                  |  | Gasolina | FWD | 1781 | 110 | 150 | 12.97-01.05                                       | * |
| 1.8 T (APU)                                  |  | Gasolina | FWD | 1781 | 110 | 150 | 12.97-01.05                                       | * |
| 1.8 T (ARK)                                  |  | Gasolina | FWD | 1781 | 110 | 150 | 12.97-01.05                                       | * |
| 1.8 T (AWT)                                  |  | Gasolina | FWD | 1781 | 110 | 150 | 12.97-01.05                                       | * |
| 1.8 T quattro (AEB)                          |  | Gasolina | 4WD | 1781 | 110 | 150 | 12.97-01.05                                       | * |
| 1.8 T quattro (ANB)                          |  | Gasolina | 4WD | 1781 | 110 | 150 | 12.97-01.05                                       | * |
| 1.8 T quattro (APU)                          |  | Gasolina | 4WD | 1781 | 110 | 150 | 12.97-01.05                                       | * |
| 1.8 T quattro (ARK)                          |  | Gasolina | 4WD | 1781 | 110 | 150 | 12.97-01.05                                       | * |
| 1.8 T quattro (AWT)                          |  | Gasolina | 4WD | 1781 | 110 | 150 | 12.97-01.05                                       | * |
| 2.0 (ALT)                                    |  | Gasolina | FWD | 1984 | 96  | 130 | 08.01-01.05                                       | * |
| 2.4 (ALW)                                    |  | Gasolina | FWD | 2393 | 100 | 136 | 07.98-01.05                                       | * |
| 2.4 (ARN)                                    |  | Gasolina | FWD | 2393 | 100 | 136 | 07.98-01.05                                       | * |
| 2.4 (ASM)                                    |  | Gasolina | FWD | 2393 | 100 | 136 | 07.98-01.05                                       | * |
| 2.4 (AJG)                                    |  | Gasolina | FWD | 2393 | 120 | 163 | 12.97-01.05                                       | * |
| 2.4 (AMM)                                    |  | Gasolina | FWD | 2393 | 120 | 163 | 12.97-01.05                                       | * |
| 2.4 (APZ)                                    |  | Gasolina | FWD | 2393 | 120 | 163 | 12.97-01.05                                       | * |
| 2.4 (BDV)                                    |  | Gasolina | FWD | 2393 | 125 | 170 | 08.01-01.05                                       | * |
| 2.4 quattro (BDV)                            |  | Gasolina | 4WD | 2393 | 125 | 170 | 08.01-01.05                                       | * |
| 2.7 T quattro (ARE)                          |  | Gasolina | 4WD | 2671 | 184 | 250 | 08.01-01.05                                       | * |
| 2.7 T quattro (BES)                          |  | Gasolina | 4WD | 2671 | 184 | 250 | 08.01-01.05                                       | * |
| 3.0 (BBJ)                                    |  | Gasolina | FWD | 2976 | 160 | 218 | 06.01-01.05                                       | * |
| 3.0 quattro (BBJ)                            |  | Gasolina | 4WD | 2976 | 160 | 218 | 06.01-01.05                                       | * |
| 3.0 (ASN)                                    |  | Gasolina | FWD | 2976 | 162 | 220 | 08.01-01.05                                       | * |
| 3.0 quattro (ASN)                            |  | Gasolina | 4WD | 2976 | 162 | 220 | 08.01-01.05                                       | * |
| 4.2 quattro (ARS)                            |  | Gasolina | 4WD | 4172 | 220 | 299 | 11.98-01.05                                       | * |
| 4.2 quattro (ASG)                            |  | Gasolina | 4WD | 4172 | 220 | 299 | 11.98-01.05                                       | * |
| S6 quattro (ANK)                             |  | Gasolina | 4WD | 4172 | 250 | 340 | 09.99-01.05                                       | * |
| S6 quattro (AQJ)                             |  | Gasolina | 4WD | 4172 | 250 | 340 | 09.99-01.05                                       | * |
| S6 quattro (BBD)                             |  | Gasolina | 4WD | 4172 | 250 | 340 | 09.99-01.05                                       | * |
| 1.9 TDI (AVF)                                |  | Diesel   | FWD | 1896 | 96  | 130 | 08.01-01.05                                       | * |
| 1.9 TDI (AWX)                                |  | Diesel   | FWD | 1896 | 96  | 130 | 08.01-01.05                                       | * |

# LISTA DE APLICACIONES - BUYERS GUIDE

|  |  |          |     |  |     |     |             |   |
|--|--|----------|-----|--|-----|-----|-------------|---|
| 2.5 TDI (AFB)                          |  | Diesel   | FWD | 2496                                   | 110 | 150 | 12.97-01.05 | * |
| 2.5 TDI (AKN)                          |  | Diesel   | FWD | 2496                                   | 110 | 150 | 12.97-01.05 | * |
| 2.5 TDI quattro (AFB)                  |  | Diesel   | 4WD | 2496                                   | 110 | 150 | 12.97-01.05 | * |
| 2.5 TDI quattro (AKN)                  |  | Diesel   | 4WD | 2496                                   | 110 | 150 | 12.97-01.05 | * |
| 2.5 TDI (AYM)                          |  | Diesel   | FWD | 2496                                   | 114 | 155 | 08.01-01.05 | * |
| 2.5 TDI (BCZ)                          |  | Diesel   | FWD | 2496                                   | 120 | 163 | 07.02-01.05 | * |
| 2.5 TDI (BDG)                          |  | Diesel   | FWD | 2496                                   | 120 | 163 | 07.02-01.05 | * |
| 2.5 TDI (BFC)                          |  | Diesel   | FWD | 2496                                   | 120 | 163 | 07.02-01.05 | * |
| 2.5 TDI (AKE)                          |  | Diesel   | FWD | 2496                                   | 132 | 180 | 02.00-01.05 | * |
| 2.5 TDI (BAU)                          |  | Diesel   | FWD | 2496                                   | 132 | 180 | 02.00-01.05 | * |
| 2.5 TDI (BDH)                          |  | Diesel   | FWD | 2496                                   | 132 | 180 | 02.00-01.05 | * |
| 2.5 TDI quattro (AKE)                  |  | Diesel   | 4WD | 2496                                   | 132 | 180 | 02.00-01.05 | * |
| 2.5 TDI quattro (BAU)                  |  | Diesel   | 4WD | 2496                                   | 132 | 180 | 02.00-01.05 | * |
| 2.5 TDI quattro (BDH)                  |  | Diesel   | 4WD | 2496                                   | 132 | 180 | 02.00-01.05 | * |
| <b>A6 II C5 (4B2, 4B4) 01.97-12.05</b> |  |          |     | <b>Sedán (Executive car-E Segment)</b> |     |     |             |   |
| 1.8 T (AEB)                            |  | Gasolina | FWD | 1781                                   | 110 | 150 | 01.97-01.05 | * |
| 1.8 T (ANB)                            |  | Gasolina | FWD | 1781                                   | 110 | 150 | 01.97-01.05 | * |
| 1.8 T (APU)                            |  | Gasolina | FWD | 1781                                   | 110 | 150 | 01.97-01.05 | * |
| 1.8 T (ARK)                            |  | Gasolina | FWD | 1781                                   | 110 | 150 | 01.97-01.05 | * |
| 1.8 T (AWT)                            |  | Gasolina | FWD | 1781                                   | 110 | 150 | 01.97-01.05 | * |
| 1.8 T quattro (AEB)                    |  | Gasolina | 4WD | 1781                                   | 110 | 150 | 02.97-01.05 | * |
| 1.8 T quattro (ANB)                    |  | Gasolina | 4WD | 1781                                   | 110 | 150 | 02.97-01.05 | * |
| 1.8 T quattro (APU)                    |  | Gasolina | 4WD | 1781                                   | 110 | 150 | 02.97-01.05 | * |
| 1.8 T quattro (ARK)                    |  | Gasolina | 4WD | 1781                                   | 110 | 150 | 02.97-01.05 | * |
| 1.8 T quattro (AWT)                    |  | Gasolina | 4WD | 1781                                   | 110 | 150 | 02.97-01.05 | * |
| 2.0 (ALT)                              |  | Gasolina | FWD | 1984                                   | 96  | 130 | 08.01-01.05 | * |
| 2.4 (ALW)                              |  | Gasolina | FWD | 2393                                   | 100 | 136 | 07.98-01.05 | * |
| 2.4 (ARN)                              |  | Gasolina | FWD | 2393                                   | 100 | 136 | 07.98-01.05 | * |
| 2.4 (ASM)                              |  | Gasolina | FWD | 2393                                   | 100 | 136 | 07.98-01.05 | * |
| 2.4 (AJG)                              |  | Gasolina | FWD | 2393                                   | 120 | 163 | 02.97-01.05 | * |
| 2.4 (AMM)                              |  | Gasolina | FWD | 2393                                   | 120 | 163 | 02.97-01.05 | * |
| 2.4 (APZ)                              |  | Gasolina | FWD | 2393                                   | 120 | 163 | 02.97-01.05 | * |
| 2.4 (BDV)                              |  | Gasolina | FWD | 2393                                   | 125 | 170 | 08.01-01.05 | * |
| 2.4 quattro (BDV)                      |  | Gasolina | 4WD | 2393                                   | 125 | 170 | 08.01-01.05 | * |
| 2.7 T quattro (ARE)                    |  | Gasolina | 4WD | 2671                                   | 184 | 250 | 08.01-01.05 | * |
| 2.7 T quattro (BES)                    |  | Gasolina | 4WD | 2671                                   | 184 | 250 | 08.01-01.05 | * |
| 2.7 quattro (APB)                      |  | Gasolina | 4WD | 2671                                   | 187 | 254 | 05.01-07.04 | * |
| 2.7 quattro (BEL)                      |  | Gasolina | 4WD | 2671                                   | 187 | 254 | 05.01-07.04 | * |
| 3.0 (BBJ)                              |  | Gasolina | FWD | 2976                                   | 160 | 218 | 06.01-01.05 | * |
| 3.0 quattro (BBJ)                      |  | Gasolina | 4WD | 2976                                   | 160 | 218 | 06.01-07.04 | * |
| 3.0 (ASN)                              |  | Gasolina | FWD | 2976                                   | 162 | 220 | 08.01-01.05 | * |
| 3.0 quattro (ASN)                      |  | Gasolina | 4WD | 2976                                   | 162 | 220 | 08.01-01.05 | * |
| 4.2 quattro (ARS)                      |  | Gasolina | 4WD | 4172                                   | 220 | 299 | 11.98-01.05 | * |
| 4.2 quattro (ART)                      |  | Gasolina | 4WD | 4172                                   | 220 | 299 | 11.98-01.05 | * |
| 4.2 quattro (ASG)                      |  | Gasolina | 4WD | 4172                                   | 220 | 299 | 11.98-01.05 | * |
| 4.2 quattro (AWN)                      |  | Gasolina | 4WD | 4172                                   | 220 | 299 | 11.98-01.05 | * |
| S6 quattro (ANK)                       |  | Gasolina | 4WD | 4172                                   | 250 | 340 | 09.99-01.05 | * |
| S6 quattro (AQJ)                       |  | Gasolina | 4WD | 4172                                   | 250 | 340 | 09.99-01.05 | * |
| 1.9 TDI (AVF)                          |  | Diesel   | FWD | 1896                                   | 96  | 130 | 08.01-01.05 | * |
| 1.9 TDI (AWX)                          |  | Diesel   | FWD | 1896                                   | 96  | 130 | 08.01-01.05 | * |
| 2.5 TDI (AFB)                          |  | Diesel   | FWD | 2496                                   | 110 | 150 | 07.97-01.05 | * |

# LISTA DE APLICACIONES - BUYERS GUIDE

|   |  |                  |     |      |  |     |             |   |
|---|--|------------------|-----|------|--|-----|-------------|---|
| 2.5 TDI (AKN)                                     |  | Diesel           | FWD | 2496 | 110  | 150 | 07.97-01.05 | * |
| 2.5 TDI quattro (AFB)                             |  | Diesel           | 4WD | 2496 | 110  | 150 | 07.97-01.05 | * |
| 2.5 TDI quattro (AKN)                             |  | Diesel           | 4WD | 2496 | 110  | 150 | 07.97-01.05 | * |
| 2.5 TDI (AYM)                                     |  | Diesel           | FWD | 2496 | 114  | 155 | 08.01-01.05 | * |
| 2.5 TDI (BCZ)                                     |  | Diesel           | FWD | 2496 | 120  | 163 | 07.02-01.05 | * |
| 2.5 TDI (BDG)                                     |  | Diesel           | FWD | 2496 | 120  | 163 | 07.02-01.05 | * |
| 2.5 TDI (BFC)                                     |  | Diesel           | FWD | 2496 | 120  | 163 | 07.02-01.05 | * |
| 2.5 TDI (AKE)                                     |  | Diesel           | FWD | 2496 | 132  | 180 | 02.00-01.05 | * |
| 2.5 TDI (BAU)                                     |  | Diesel           | FWD | 2496 | 132  | 180 | 02.00-01.05 | * |
| 2.5 TDI (BDH)                                     |  | Diesel           | FWD | 2496 | 132  | 180 | 02.00-01.05 | * |
| 2.5 TDI quattro (AKE)                             |  | Diesel           | 4WD | 2496 | 132  | 180 | 02.00-01.05 | * |
| 2.5 TDI quattro (BAU)                             |  | Diesel           | 4WD | 2496 | 132  | 180 | 02.00-01.05 | * |
| 2.5 TDI quattro (BDH)                             |  | Diesel           | 4WD | 2496 | 132  | 180 | 02.00-01.05 | * |
| <b>A6 III C6 Avant (4F5) 11.04-08.11</b>          |  |                  |     |      | <b>[CAMBIADO]:Break (Executive car-E Segment)</b>    |     |             |   |
| 5.0 RS6 Fsi Turbo Quattro                         |  | Gasolina         | FWD | 4995 | 426  | 579 | 11.04-      | * |
| <b>ALLROAD C5 (4BH) 05.00-08.05</b>               |  |                  |     |      | <b>[CAMBIADO]:Break (Executive SUV-J Segment)</b>    |     |             |   |
| 2.7 T quattro (ARE)                               |  | Gasolina         | 4WD | 2671 | 184  | 250 | 05.00-08.05 | * |
| 2.7 T quattro (BES)                               |  | Gasolina         | 4WD | 2671 | 184  | 250 | 05.00-08.05 | * |
| 2.7 quattro (APB)                                 |  | Gasolina         | 4WD | 2671 | 187  | 254 | 09.00-08.05 | * |
| 2.7 quattro (BEL)                                 |  | Gasolina         | 4WD | 2671 | 187  | 254 | 09.00-08.05 | * |
| 2.7 T quattro                                     |  | Gasolina         | FWD | 2695 | 184  | 250 | 05.00-      | * |
| 2.7 T quattro                                     |  | Gasolina         | FWD | 2695 | 184  | 250 | 05.00-      | * |
| 4.2 V8 quattro (BAS)                              |  | Gasolina         | 4WD | 4163 | 220  | 299 | 07.02-08.05 | * |
| 4.2 V8 quattro                                    |  | Gasolina         | FWD | 4195 | 220  | 299 | 05.00-      | * |
| 2.5 TDI quattro (BCZ)                             |  | Diesel           | 4WD | 2496 | 120  | 163 | 05.03-08.05 | * |
| 2.5 TDI quattro (AKE)                             |  | Diesel           | 4WD | 2496 | 132  | 180 | 05.00-08.05 | * |
| 2.5 TDI quattro (BAU)                             |  | Diesel           | 4WD | 2496 | 132  | 180 | 05.00-08.05 | * |
| <b>CITROËN</b>                                    |  |                  |     |      |  |     |             |   |
| <b>C3 II (SC_) 09.09-</b>                         |  |                  |     |      | <b>[CAMBIADO]:Fastback (Supermini car-B Segment)</b> |     |             |   |
| 1.2 THP 110 (HNZ (EB2DT))                         |  | Gasolina         | FWD | 1199 | 81   | 110 | 10.14-09.16 | * |
| 1.4 VTi 95 (8FP (EP3C))                           |  | Gasolina         | FWD | 1397 | 70   | 95  | 11.09-09.16 | * |
| 1.6 VTi 120 (5FS (EP6C))                          |  | Gasolina         | FWD | 1598 | 88   | 120 | 11.09-09.16 | * |
| 1.4 LPG (KFT (TU3A))                              |  | Gasol./Gas (LPG) | FWD | 1360 | 54   | 73  | 07.10-09.16 | * |
| 1.4 HDi 70 (SC8HZC, SC8HR0, SC8HP4) (8HR (DV4C))  |  | Diesel           | FWD | 1398 | 50   | 68  | 11.09-09.16 | * |
| 1.4 HDi 70 (SC8HZC, SC8HR0, SC8HP4) (8HZ (DV4TD)) |  | Diesel           | FWD | 1398 | 50   | 68  | 11.09-09.16 | * |
| 1.6 BlueHDi 75 (9HK (DV6ETEDM))                   |  | Diesel           | FWD | 1560 | 55   | 75  | 04.15-09.16 | * |
| 1.6 BlueHDi 75 (BHW (DV6FE))                      |  | Diesel           | FWD | 1560 | 55   | 75  | 04.15-09.16 | * |
| 1.6 HDi 90 (9HX (DV6ATED4))                       |  | Diesel           | FWD | 1560 | 66   | 90  | 11.09-09.16 | * |
| 1.6 HDi (9HJ (DV6DTEDM))                          |  | Diesel           | FWD | 1560 | 68   | 92  | 11.09-09.16 | * |
| 1.6 HDi (9HP (DV6DTED))                           |  | Diesel           | FWD | 1560 | 68   | 92  | 11.09-09.16 | * |
| 1.6 BlueHDi 100 (BHY (DV6FD))                     |  | Diesel           | FWD | 1560 | 73   | 99  | 07.14-09.16 | * |
| 1.6 HDi 110 (9HR (DV6C))                          |  | Diesel           | FWD | 1560 | 82   | 112 | 11.09-09.16 | * |
| 1.6 HDi 115 (9HD (DV6C))                          |  | Diesel           | FWD | 1560 | 84   | 114 | 09.12-09.16 | * |
| <b>C3 II (SC_) 06.10-</b>                         |  |                  |     |      | <b>Furgón/hatchback (Supermini car-B Segment)</b>    |     |             |   |
| 1.6 BlueHDi (BHW (DV6FE))                         |  | Diesel           | FWD | 1560 | 55   | 75  | 03.15-09.16 | * |
| <b>C3 II Picasso (SH_) 12.08-</b>                 |  |                  |     |      | <b>MPV (Mini MPV-M1 Segment)</b>                     |     |             |   |
| 1.2 THP 110 (SHHNZ6) (HNZ (EB2DT))                |  | Gasolina         | FWD | 1199 | 81   | 110 | 01.15-12.15 | * |

# LISTA DE APLICACIONES - BUYERS GUIDE

|  |                  |     |      |    |     |  |   |
|--|------------------|-----|------|----|-----|--|---|
| 1.4 VTi 95 (SH8FSC, SH8FP0, SH8FP6) (8FN (EP3))                  | Gasolina         | FWD | 1397 | 70 | 95  | 12.08-12.15  | * |
| 1.4 VTi 95 (SH8FSC, SH8FP0, SH8FP6) (8FP (EP3C))                 | Gasolina         | FWD | 1397 | 70 | 95  | 12.08-12.15  | * |
| 1.4 VTi 95 (SH8FSC, SH8FP0, SH8FP6) (8FS (EP3))                  | Gasolina         | FWD | 1397 | 70 | 95  | 12.08-12.15  | * |
| 1.6 Flex   | Gasolina         | FWD | 1587 | 81 | 110 | 05.11-   | * |
| 1.6 VTi 115 (SH5FP0, SH5FP8) (5FP (EP6))                         | Gasolina         | FWD | 1598 | 84 | 114 | 07.09-12.15  | * |
| 1.6 VTi 120 (5FS (EP6C))   | Gasolina         | FWD | 1598 | 88 | 120 | 02.09-07.15  | * |
| 1.6 VTi 120 (5FW (EP6))  | Gasolina         | FWD | 1598 | 88 | 120 | 02.09-07.15  | * |
| 1.4 VTi 95 LPG (SH8FN0) (8FN (EP3))                              | Gasol./Gas (LPG) | FWD | 1397 | 70 | 95  | 09.10-11.15  | * |
| 1.6 HDi (9HX (DV6ATED4))   | Diesel           | FWD | 1560 | 66 | 90  | 02.09-03.15  | * |
| 1.6 HDi 90 (9HP (DV6DTE))  | Diesel           | FWD | 1560 | 68 | 92  | 07.10-03.15  | * |
| 1.6 BlueHdi 100 (BHY (DV6FD))                                    | Diesel           | FWD | 1560 | 73 | 99  | 01.15-08.17  | * |
| 1.6 HDi (9HZ (DV6TED4))  | Diesel           | FWD | 1560 | 80 | 109 | 02.09-12.10  | * |
| 1.6 HDi 110 (9HR (DV6C))   | Diesel           | FWD | 1560 | 82 | 112 | 05.10-02.13  | * |
| 1.6 HDi 115 (9HD (DV6C))   | Diesel           | FWD | 1560 | 84 | 114 | 01.13-03.15  | * |
| <b>C3 III (SX) 07.16-</b>  |                  |     |      |    |     | <b>[CAMBIADO]:Fastback (Supermini car-B Segment)</b> |   |
| 1.2 VTi 68 (HMM (EB2FAD))  | Gasolina         | FWD | 1199 | 50 | 68  | 07.16-   | * |
| 1.2 VTi 68 (HMP (EB2FB))   | Gasolina         | FWD | 1199 | 50 | 68  | 07.16-   | * |
| 1.2 VTi 82 (HMZ (EB2F))  | Gasolina         | FWD | 1199 | 60 | 82  | 07.16-   | * |
| 1.2 PureTech 82 (HMR (EB2FA))                                    | Gasolina         | FWD | 1199 | 61 | 83  | 05.18-   | * |
| 1.2 PureTech 110   | Gasolina         | FWD | 1199 | 81 | 110 | 03.21-   | * |
| 1.2 THP 110 (SXHNPS, SXHNZT, SXHNZ6) (HNP (EB2ADT))              | Gasolina         | FWD | 1199 | 81 | 110 | 07.16-   | * |
| 1.2 THP 110 (SXHNPS, SXHNZT, SXHNZ6) (HNV (EB2DTM))              | Gasolina         | FWD | 1199 | 81 | 110 | 07.16-   | * |
| 1.2 THP 110 (SXHNPS, SXHNZT, SXHNZ6) (HNZ (EB2DT))               | Gasolina         | FWD | 1199 | 81 | 110 | 07.16-   | * |
| 1.6 VTi (SXFPT) (NFP (EC5))                                      | Gasolina         | FWD | 1587 | 85 | 116 | 02.17-   | * |
| 1.2 VTi 82 LPG (HMZ (EB2F))                                      | Gasol./Gas (LPG) | FWD | 1199 | 60 | 82  | 07.16-   | * |
| 1.2 PureTech 82 LPG (HMR (EB2FA))                                | Gasol./Gas (LPG) | FWD | 1199 | 61 | 83  | 05.18-   | * |
| 1.5 BlueHdi 100 (SXYHYP, SXYHTU) (YHY (DV5RD))                   | Diesel           | FWD | 1499 | 75 | 102 | 05.18-   | * |
| 1.6 BlueHdi 75 (BHW (DV6FE))                                     | Diesel           | FWD | 1560 | 55 | 75  | 07.16-05.18  | * |
| 1.6 BlueHdi 100 (BHY (DV6FD))                                    | Diesel           | FWD | 1560 | 73 | 99  | 07.16-05.18  | * |
| <b>C3 III AIRCROSS II (2R_, 2C_) 06.17-</b>                      |                  |     |      |    |     | <b>SUV (Mini SUV-J Segment)</b>                      |   |
| 1.2 PureTech 82 (2RHMRC, 2RHMZB) (HMR (EB2FA))                   | Gasolina         | FWD | 1199 | 60 | 82  | 06.17-   | * |
| 1.2 PureTech 82 (2RHMRC, 2RHMZB) (HMZ (EB2F))                    | Gasolina         | FWD | 1199 | 60 | 82  | 06.17-   | * |
| 1.2 PureTech 110 (2RHNZB, 2RHNZW, 2RHNPX, 2RHNPJ) (HNP (EB2ADT)) | Gasolina         | FWD | 1199 | 81 | 110 | 06.17-   | * |
| 1.2 PureTech 110 (2RHNZB, 2RHNZW, 2RHNPX, 2RHNPJ) (HNV (EB2DTM)) | Gasolina         | FWD | 1199 | 81 | 110 | 06.17-   | * |
| 1.2 PureTech 110 (2RHNZB, 2RHNZW, 2RHNPX, 2RHNPJ) (HNZ (EB2DT))  | Gasolina         | FWD | 1199 | 81 | 110 | 06.17-   | * |
| 1.2 PureTech 130 (2RHNYH) (HNS (EB2ADTS))                        | Gasolina         | FWD | 1199 | 96 | 131 | 07.17-   | * |
| 1.2 PureTech 130 (2RHNYH) (HNY (EB2DTS))                         | Gasolina         | FWD | 1199 | 96 | 131 | 07.17-   | * |
| 1.5 BlueHdi 100 (2CYHYJ) (YHY (DV5RD))                           | Diesel           | FWD | 1499 | 73 | 99  | 08.18-   | * |
| 1.5 BlueHdi 100 (2CYHYJ) (YHY (DV5RD))                           | Diesel           | FWD | 1499 | 75 | 102 | 08.18-   | * |
| 1.5 BlueHdi 110 (YHS (DV5RCE))                                   | Diesel           | FWD | 1499 | 81 | 110 | 10.20-   | * |
| 1.5 BlueHdi 120 (2CYHXX) (YHX (DV5RC))                           | Diesel           | FWD | 1499 | 88 | 120 | 08.18-   | * |
| 1.6 HDi 92 (2C9HPA) (9HP (DV6D))                                 | Diesel           | FWD | 1560 | 68 | 92  | 10.17-   | * |
| 1.6 HDi 92 (2C9HPA) (9HP (DV6DTE))                               | Diesel           | FWD | 1560 | 68 | 92  | 10.17-   | * |
| 1.6 BlueHdi 100 (2CBHYB) (BHY (DV6FD))                           | Diesel           | FWD | 1560 | 73 | 99  | 07.17-08.18  | * |

# LISTA DE APLICACIONES - BUYERS GUIDE

|   |  |          |     |  |     |     |             |   |
|---|--|----------|-----|--|-----|-----|-------------|---|
| 1.6 BlueHDi 115 (2CBHXH) (BHX (DV6FC))          |  | Diesel   | FWD | 1560   | 85  | 115 | 06.17-05.18 | * |
| 1.6 BlueHDi 120 (2CBHZH) (BHZ (DV6FC))          |  | Diesel   | FWD | 1560   | 88  | 120 | 07.17-05.18 | * |
| <b>C3 III AIRCROSS II Van (2C_, 2R_) 06.17-</b> |  |          |     | <b>Furgoneta/SUV (Mini SUV-J Segment)</b>            |     |     |             |   |
| PureTech 82 (HMZ (EB2F))                        |  | Gasolina | FWD | 1199   | 60  | 82  | 05.19-      | * |
| PureTech 82 (HNZ (EB2DT))                       |  | Gasolina | FWD | 1199   | 81  | 110 | 05.19-      | * |
| 1.5 BlueHDi 100 (YHY (DV5RD))                   |  | Diesel   | FWD | 1499   | 73  | 99  | 05.19-      | * |
| 1.5 BlueHDI 120 (YHX (DV5RC))                   |  | Diesel   | FWD | 1499   | 88  | 120 | 05.19-      | * |
| 1.6 BlueHDi 100 (BHY (DV6FD))                   |  | Diesel   | FWD | 1560   | 73  | 99  | 05.19-      | * |
| <b>C3 III Van (SX_, SY_) 07.16-</b>             |  |          |     | <b>Furgón/hatchback (Supermini car-B Segment)</b>    |     |     |             |   |
| 1.2 VTi   |  | Gasolina | FWD | 1199   | 60  | 82  | 07.16-      | * |
| PureTech 82 (HMR (EB2FA))                       |  | Gasolina | FWD | 1199   | 61  | 83  | 03.19-      | * |
| PureTech 110 (HNZ (EB2DT))                      |  | Gasolina | FWD | 1199   | 81  | 110 | 03.19-      | * |
| BlueHDi 100 (YHY (DV5RD))                       |  | Diesel   | FWD | 1499   | 75  | 102 | 03.19-      | * |
| BlueHDi 75 (BHW (DV6FE))                        |  | Diesel   | FWD | 1560   | 55  | 75  | 03.19-      | * |
| BlueHDi 100 (BHY (DV6FD))                       |  | Diesel   | FWD | 1560   | 73  | 99  | 03.19-      | * |
| <b>C4 CACTUS 09.14-</b>                         |  |          |     | <b>[CAMBIADO]:Fastback (Compact SUV-J Segment)</b>   |     |     |             |   |
| 1.2 VTi 75 / PureTech 75 (HMU (EB2D))           |  | Gasolina | FWD | 1199   | 55  | 75  | 09.14-      | * |
| 1.2 VTi 75 / PureTech 75 (HMU (EB2FD))          |  | Gasolina | FWD | 1199   | 55  | 75  | 09.14-      | * |
| 1.2 VTI 82 (HMZ (EB2F))                         |  | Gasolina | FWD | 1199   | 60  | 82  | 09.14-      | * |
| 1.2 THP 110 (HNP (EB2ADT))                      |  | Gasolina | FWD | 1199   | 81  | 110 | 09.14-      | * |
| 1.2 THP 110 (HNV (EB2DTM))                      |  | Gasolina | FWD | 1199   | 81  | 110 | 09.14-      | * |
| 1.2 THP 110 (HNZ (EB2DT))                       |  | Gasolina | FWD | 1199   | 81  | 110 | 09.14-      | * |
| 1.2 PureTech 130 (HNS (EB2ADTS))                |  | Gasolina | FWD | 1199   | 96  | 131 | 11.17-      | * |
| 1.2 PureTech 130 (HNY (EB2DTS))                 |  | Gasolina | FWD | 1199   | 96  | 131 | 11.17-      | * |
| 1.5 BlueHDi 100 (YHY (DV5RD))                   |  | Diesel   | FWD | 1499   | 73  | 99  | 06.18-      | * |
| 1.5 BlueHDi 100 (YHY (DV5RD))                   |  | Diesel   | FWD | 1499   | 75  | 102 | 06.18-      | * |
| 1.5 BlueHDI 120 (YHX (DV5RC))                   |  | Diesel   | FWD | 1499   | 88  | 120 | 09.18-      | * |
| 1.6 HDi 90 (9HJ (DV6DTEDM))                     |  | Diesel   | FWD | 1560   | 68  | 92  | 09.14-      | * |
| 1.6 HDi 90 (9HP (DV6D))                         |  | Diesel   | FWD | 1560   | 68  | 92  | 09.14-      | * |
| 1.6 HDi 90 (9HP (DV6DTE))                       |  | Diesel   | FWD | 1560   | 68  | 92  | 09.14-      | * |
| 1.6 BlueHDi 100 (BHY (DV6FD))                   |  | Diesel   | FWD | 1560   | 73  | 99  | 09.14-06.18 | * |
| <b>C4 CACTUS Van (0B_, 0P_) 09.14-</b>          |  |          |     | <b>Furgón/hatchback (Compact car-C Segment)</b>      |     |     |             |   |
| PureTech 82 (HMZ (EB2))                         |  | Gasolina | FWD | 1199   | 60  | 82  | 05.19-      | * |
| PureTech 110 (HNP (EB2ADT))                     |  | Gasolina | FWD | 1199   | 81  | 110 | 05.19-      | * |
| PureTech 110 (HNZ (EB2DT))                      |  | Gasolina | FWD | 1199   | 81  | 110 | 05.19-      | * |
| PureTech 130 (HNY (EB2DTS))                     |  | Gasolina | FWD | 1199   | 96  | 131 | 05.19-      | * |
| BlueHDi 100 (YHY (DV5RD))                       |  | Diesel   | FWD | 1499   | 73  | 99  | 05.19-      | * |
| BlueHDi 100 (BHY (DV6FD))                       |  | Diesel   | FWD | 1560   | 73  | 99  | 05.19-      | * |
| <b>DS3 (SA_) 11.09-12.16</b>                    |  |          |     | <b>[CAMBIADO]:Fastback (Supermini car-B Segment)</b> |     |     |             |   |
| 1.2 VTi 82 (HMZ (EB2))                          |  | Gasolina | FWD | 1199   | 60  | 82  | 01.13-03.15 | * |
| 1.2 VTi 82 (HMZ (EB2F))                         |  | Gasolina | FWD | 1199   | 60  | 82  | 01.13-03.15 | * |
| 1.2 THP 110 (HNZ (EB2DT))                       |  | Gasolina | FWD | 1199   | 81  | 110 | 10.14-03.15 | * |
| 1.4 VTi 95 (8FP (EP3C))                         |  | Gasolina | FWD | 1397   | 70  | 95  | 04.10-07.15 | * |
| 1.4 VTi 98 (8FR (EP3C))                         |  | Gasolina | FWD | 1397   | 72  | 98  | 11.09-07.15 | * |
| 1.6 VTi 120 (5FS (EP6C))                        |  | Gasolina | FWD | 1598   | 88  | 120 | 04.10-07.15 | * |
| 1.6 THP 150 (5FN (EP6CDT))                      |  | Gasolina | FWD | 1598   | 110 | 150 | 01.10-07.15 | * |
| 1.6 THP 150 (5FX (EP6DT))                       |  | Gasolina | FWD | 1598   | 110 | 150 | 01.10-07.15 | * |
| 1.6 THP 155 (5FR (EP6DT))                       |  | Gasolina | FWD | 1598   | 115 | 156 | 04.10-07.15 | * |

# LISTA DE APLICACIONES - BUYERS GUIDE

|  |  |                  |     |      |     |     |   |   |  |
|--|--|------------------|-----|------|-----|-----|---|---|--|
| 1.6 THP 155 (5FV (EP6CDT))   |  | Gasolina         | FWD | 1598 | 115 | 156 | 04.10-07.15                                     | * |  |
| 1.6 THP160 (5FM (EP6DT))   |  | Gasolina         | FWD | 1598 | 120 | 163 | 01.12-07.15                                     | * |  |
| 1.6 THP 165 (5GZ (EP6FDT))   |  | Gasolina         | FWD | 1598 | 121 | 165 | 10.14-06.15                                     | * |  |
| 1.6 Racing (5FF (EP6DTS))  |  | Gasolina         | FWD | 1598 | 149 | 203 | 02.11-07.15                                     | * |  |
| 1.6 Racing (5FD (EP6DTS))  |  | Gasolina         | FWD | 1598 | 152 | 207 | 02.11-07.15                                     | * |  |
| 1.4 VTi 95 LPG (8FR (EP3C))  |  | Gasol./Gas (LPG) | FWD | 1397 | 70  | 95  | 08.12-07.15                                     | * |  |
| 1.4 HDi 70 (SA8HP4) (8HR (DV4C))                                   |  | Diesel           | FWD | 1398 | 50  | 68  | 04.10-07.15                                     | * |  |
| 1.6 BlueHDi 75 (BHW (DV6FE))                                       |  | Diesel           | FWD | 1560 | 55  | 75  | 03.15-07.15                                     | * |  |
| 1.6 HDi 90 (9HP (DV6DTE))  |  | Diesel           | FWD | 1560 | 68  | 92  | 11.09-07.15                                     | * |  |
| 1.6 BlueHDi 100 (BHY (DV6FD))                                      |  | Diesel           | FWD | 1560 | 73  | 99  | 07.14-07.15                                     | * |  |
| 1.6 HDi 110 (9HR (DV6C))   |  | Diesel           | FWD | 1560 | 82  | 112 | 11.09-07.15                                     | * |  |
| 1.6 HDi 115 (9HD (DV6C))   |  | Diesel           | FWD | 1560 | 84  | 114 | 08.12-07.15                                     | * |  |
| 1.6 HDi 115 (BHX (DV6FC))  |  | Diesel           | FWD | 1560 | 85  | 115 | 10.13-07.15                                     | * |  |
| 1.6 BlueHDi 120 (BHZ (DV6FC))                                      |  | Diesel           | FWD | 1560 | 88  | 120 | 10.13-07.15                                     | * |  |
| <b>DS3 01.13-07.15</b>   |  |                  |     |      |     |     | <b>Cabrio (Supermini car-B Segment)</b>         |   |  |
| 1.2 VTi 82 (HMZ (EB2F))  |  | Gasolina         | FWD | 1199 | 60  | 82  | 01.13-07.15                                     | * |  |
| 1.2 THP 110 (HNZ (EB2DT))  |  | Gasolina         | FWD | 1199 | 81  | 110 | 10.14-07.15                                     | * |  |
| 1.6 VTi 120 (5FS (EP6C))   |  | Gasolina         | FWD | 1598 | 88  | 120 | 01.13-07.15                                     | * |  |
| 1.6 THP 150 (5FN (EP6CDT))   |  | Gasolina         | FWD | 1598 | 110 | 150 | 01.13-07.15                                     | * |  |
| 1.6 THP 155 (5FV (EP6CDT))   |  | Gasolina         | FWD | 1598 | 115 | 156 | 01.13-07.15                                     | * |  |
| 1.6 THP 165 (5FM (EP6DT))  |  | Gasolina         | FWD | 1598 | 120 | 163 | 02.15-07.15                                     | * |  |
| 1.6 THP 165 (5GZ (EP6FDT))   |  | Gasolina         | FWD | 1598 | 121 | 165 | 10.14-07.15                                     | * |  |
| 1.6 Racing (5FF (EP6DTS))  |  | Gasolina         | FWD | 1598 | 149 | 203 | 03.14-07.15                                     | * |  |
| 1.6 Racing   |  | Gasolina         | FWD | 1598 | 152 | 207 | 03.14-  | * |  |
| 1.6 Racing (5FD (EP6DTS))  |  | Gasolina         | FWD | 1598 | 152 | 207 | 03.14-07.15                                     | * |  |
| 1.6 HDi 90 (9HP (DV6DTE))  |  | Diesel           | FWD | 1560 | 68  | 92  | 01.13-07.15                                     | * |  |
| 1.6 BlueHDi 100 (BHY (DV6FD))                                      |  | Diesel           | FWD | 1560 | 73  | 99  | 07.14-07.15                                     | * |  |
| 1.6 BlueHDi 100 (BHY (DV6FD))                                      |  | Diesel           | FWD | 1560 | 75  | 102 | 07.14-07.15                                     | * |  |
| 1.6 BlueHDi 115 (BHX (DV6FC))                                      |  | Diesel           | FWD | 1560 | 85  | 115 | 10.13-07.15                                     | * |  |
| 1.6 BlueHDi 120 (BHZ (DV6FC))                                      |  | Diesel           | FWD | 1560 | 88  | 120 | 07.14-07.15                                     | * |  |
| <b>CITROËN (DF-PSA)</b>  |  |                  |     |      |     |     |   |   |  |
| <b>C3 L 06.20-</b>   |  |                  |     |      |     |     | <b>Sedán ()</b>                                 |   |  |
| 190THP (HN11(EB2ADT))  |  | Diesel           | FWD | 1199 | 85  | 116 | 06.20-  | * |  |
| <b>DS</b>  |  |                  |     |      |     |     |   |   |  |
| <b>DS 3 (SA_) 04.15-</b>   |  |                  |     |      |     |     | <b>[CAMBIADO]:Fastback (City car-A Segment)</b> |   |  |
| 1.2 THP 110 / PureTech 110 (SAHNPS, SAHNZ6, SAHNZT) (HNP (EB2ADT)) |  | Gasolina         | FWD | 1199 | 81  | 110 | 04.15-07.19                                     | * |  |
| 1.2 THP 110 / PureTech 110 (SAHNPS, SAHNZ6, SAHNZT) (HNZ (EB2DT))  |  | Gasolina         | FWD | 1199 | 81  | 110 | 04.15-07.19                                     | * |  |
| 1.2 THP 130 (SAHNYM) (HNY (EB2DTS))                                |  | Gasolina         | FWD | 1199 | 96  | 130 | 09.15-07.19                                     | * |  |
| 1.6 THP (SA5GWM) (5GW (EP6FDT))                                    |  | Gasolina         | FWD | 1598 | 110 | 150 | 07.15-07.19                                     | * |  |
| 1.6 THP (SA5GZM) (5GZ (EP6FDT))                                    |  | Gasolina         | FWD | 1598 | 120 | 163 | 07.15-07.19                                     | * |  |
| 1.6 THP 165 (SA5GZM) (5GZ (EP6FDT))                                |  | Gasolina         | FWD | 1598 | 121 | 165 | 07.15-07.19                                     | * |  |
| 1.6 THP 208 (SA5GRM) (5GR (EP6FDTX))                               |  | Gasolina         | FWD | 1598 | 153 | 208 | 09.15-07.19                                     | * |  |
| 1.4 HDi 70 (SA8HR4, SA8HP4)  |  | Diesel           | FWD | 1398 | 50  | 68  | 07.15-12.16                                     | * |  |
| 1.6 BlueHDi 75 (SABHW6) (BHW (DV6FE))                              |  | Diesel           | FWD | 1560 | 55  | 75  | 07.15-07.19                                     | * |  |
| 1.6 BlueHDi 100 (SABHY0, SABHYT) (BHY (DV6FD))                     |  | Diesel           | FWD | 1560 | 73  | 99  | 04.15-07.19                                     | * |  |
| 1.6 BlueHDi 116 (SABHXM) (BHX (DV6FC))                             |  | Diesel           | FWD | 1560 | 85  | 116 | 07.15-07.19                                     | * |  |
| 1.6 BlueHDi 120 (SABHZM) (BHZ (DV6FC))                             |  | Diesel           | FWD | 1560 | 88  | 120 | 07.15-07.19                                     | * |  |

# LISTA DE APLICACIONES - BUYERS GUIDE

|   |          |     |      |     |   |             |   |  |
|---|----------|-----|------|-----|---|-------------|---|--|
| <b>DS 3 (SB_) 07.15-</b>                |          |     |      |     | <b>Cabrio (City car-A Segment)</b>              |             |   |  |
| 1.2 THP 110 (HNP (EB2ADT))              | Gasolina | FWD | 1199 | 81  | 110   | 07.15-07.19 | * |  |
| 1.2 THP 110 (HNZ (EB2DT))               | Gasolina | FWD | 1199 | 81  | 110   | 07.15-07.19 | * |  |
| 1.2 THP 130 (HNY (EB2DTS))              | Gasolina | FWD | 1199 | 96  | 130   | 09.15-07.19 | * |  |
| 1.6 THP (SB5GWM) (5GX (EP6FDTMD))       | Gasolina | FWD | 1598 | 110 | 150   | 07.15-07.19 | * |  |
| 1.6 THP (5GZ (EP6FDT))                  | Gasolina | FWD | 1598 | 120 | 163   | 07.15-07.19 | * |  |
| 1.6 THP 165 (5GZ (EP6FDT))              | Gasolina | FWD | 1598 | 121 | 165   | 07.15-07.19 | * |  |
| 1.6 THP 208 (5GR (EP6FDTX))             | Gasolina | FWD | 1598 | 153 | 208   | 09.15-07.19 | * |  |
| 1.6 BlueHDi 100 (BHY (DV6FD))           | Diesel   | FWD | 1560 | 73  | 99  | 07.15-07.19 | * |  |
| 1.6 BlueHDi 116 (BHX (DV6FC))           | Diesel   | FWD | 1560 | 85  | 116   | 07.15-07.19 | * |  |
| 1.6 BlueHDi 120 (BHZ (DV6FC))           | Diesel   | FWD | 1560 | 88  | 120   | 07.15-07.19 | * |  |
| <b>NISSAN</b>                           |          |     |      |     |   |             |   |  |
| <b>LATIO (C11) 11.04-</b>               |          |     |      |     | <b>Sedán (City car-A Segment)</b>               |             |   |  |
| 1.5                                     | Gasolina | FWD | 1498 | 80  | 109   | 11.04-      | * |  |
| 1.5                                     | Gasolina | FWD | 1498 | 80  | 109   | 11.04-      | * |  |
| 1.6                                     | Gasolina | FWD | 1598 | 81  | 110   | 03.07-      | * |  |
| 1.8                                     | Gasolina | FWD | 1769 | 92  | 125   | 11.04-      | * |  |
| 1.8                                     | Gasolina | FWD | 1769 | 92  | 125   | 03.07-      | * |  |
| <b>NOTE (E11, NE11) 01.05-08.13</b>     |          |     |      |     | <b>MPV (Mini MPV-M1 Segment)</b>                |             |   |  |
| 1.4 (CR14DE)                            | Gasolina | FWD | 1386 | 65  | 88  | 01.06-08.13 | * |  |
| 1.5 (HR15DE)                            | Gasolina | FWD | 1498 | 80  | 109   | 03.06-12.10 | * |  |
| 1.5                                     | Gasolina | FWD | 1498 | 80  | 109   | 01.06-12.10 | * |  |
| 1.6 (HR16DE)                            | Gasolina | FWD | 1598 | 81  | 110   | 03.06-06.12 | * |  |
| 1.5 dCi (K9K 700)                       | Diesel   | FWD | 1461 | 50  | 68  | 03.06-06.12 | * |  |
| 1.5 dCi (K9K 276)                       | Diesel   | FWD | 1461 | 63  | 86  | 03.06-06.12 | * |  |
| 1.5 dCi (K9K 288)                       | Diesel   | FWD | 1461 | 76  | 103   | 07.08-06.12 | * |  |
| <b>NOTE VAN (E11) 01.05-08.13</b>       |          |     |      |     | <b>Furgoneta/MPV (Mini MPV-M1 Segment)</b>      |             |   |  |
| 1.5 dCi                                 | Diesel   | FWD | 1461 | 63  | 86  | 01.11-09.12 | * |  |
| <b>TIIDA / VERSA (C11) 05.04-12.14</b>  |          |     |      |     | <b>[CAMBIADO]:Fastback (City car-A Segment)</b> |             |   |  |
| 1.5 (C11) (HR15DE)                      | Gasolina | FWD | 1498 | 80  | 109   | 05.04-08.12 | * |  |
| 1.5 4x4 (NC11)                          | Gasolina | 4WD | 1498 | 80  | 109   | 05.04-02.07 | * |  |
| 1.6 (HR16DE)                            | Gasolina | FWD | 1598 | 81  | 110   | 09.07-12.11 | * |  |
| 1.6                                     | Gasolina | FWD | 1598 | 81  | 110   | 05.04-02.07 | * |  |
| 1.6                                     | Gasolina | FWD | 1598 | 81  | 110   | 05.04-02.07 | * |  |
| 1.8 (JC11)                              | Gasolina | FWD | 1769 | 81  | 110   | 05.04-02.07 | * |  |
| 1.8 4x4                                 | Gasolina | 4WD | 1769 | 81  | 110   | 05.04-02.07 | * |  |
| 1.8                                     | Gasolina | FWD | 1798 | 93  | 126   | 05.04-02.07 | * |  |
| 1.8 (JC11) (MR18DE)                     | Gasolina | FWD | 1798 | 93  | 126   | 09.04-12.11 | * |  |
| <b>TIIDA / VERSA (SC11) 05.04-02.14</b> |          |     |      |     | <b>Sedán (City car-A Segment)</b>               |             |   |  |
| 1.8                                     | Gasolina | FWD | 1797 | 92  | 125   | 01.12-      | * |  |
| 1.8 Flex                                | Gasolina | FWD | 1797 | 92  | 125   | 07.10-      | * |  |
| <b>OPEL</b>                             |          |     |      |     |   |             |   |  |
| <b>CROSSLAND X (P17, P2QO) 03.17-</b>   |          |     |      |     | <b>SUV (Subcompact SUV-B Segment)</b>           |             |   |  |
| 1.2 (75) (B 12 XE (EB2F))               | Gasolina | FWD | 1199 | 60  | 82  | 03.17-      | * |  |
| 1.2 (75) (D 12 XE (EB2FA))              | Gasolina | FWD | 1199 | 60  | 82  | 03.17-      | * |  |
| 1.2 (F 12 XE (EB2FA))                   | Gasolina | FWD | 1199 | 61  | 83  | 07.19-      | * |  |
| 1.2 (75) (B 12 XHL (EB2DT))             | Gasolina | FWD | 1199 | 81  | 110   | 03.17-      | * |  |
| 1.2 (75) (D 12 XHL (EB2ADT))            | Gasolina | FWD | 1199 | 81  | 110   | 03.17-      | * |  |

# LISTA DE APLICACIONES - BUYERS GUIDE

|  |  |                  |     |      |     |     |   |   |  |
|--|--|------------------|-----|------|-----|-----|---|---|--|
| 1.2 (75) (F 12 XHL)  |  | Gasolina         | FWD | 1199 | 81  | 110 | 03.17-  | * |  |
| 1.2 (75) (B 12 XHT (EB2DTS))                                       |  | Gasolina         | FWD | 1199 | 96  | 131 | 03.17-  | * |  |
| 1.2 (75) (D 12 XHT (EB2ADTS))                                      |  | Gasolina         | FWD | 1199 | 96  | 131 | 03.17-  | * |  |
| 1.2 (75) (F 12 XHT (EB2ADTS))                                      |  | Gasolina         | FWD | 1199 | 96  | 131 | 03.17-  | * |  |
| 1.2 LPG (75) (B 12 XE (EB2F))                                      |  | Gasol./Gas (LPG) | FWD | 1199 | 60  | 82  | 10.17-  | * |  |
| 1.5 Turbo D (75) (D 15 DT (DV5RD))                                 |  | Diesel           | FWD | 1499 | 75  | 102 | 06.18-  | * |  |
| 1.5 (75)   |  | Diesel           | FWD | 1499 | 81  | 110 | 10.20-  | * |  |
| 1.5 Turbo D (75) (D 15 DTH (DV5RC))                                |  | Diesel           | FWD | 1499 | 88  | 120 | 08.18-  | * |  |
| 1.6 Turbo D(75) (B 16 DT (DV6FD))                                  |  | Diesel           | FWD | 1560 | 73  | 99  | 03.17-05.18                                     | * |  |
| 1.6 Turbo D(75) (B 16 DTH (DV6FC))                                 |  | Diesel           | FWD | 1560 | 85  | 116 | 08.17-04.19                                     | * |  |
| 1.6 Turbo D(75) (B 16 DTH (DV6FC))                                 |  | Diesel           | FWD | 1560 | 88  | 120 | 03.17-05.18                                     | * |  |
| <b>CROSSLAND X Van 03.17-</b>                                      |  |                  |     |      |     |     | <b>Furgoneta/SUV (Subcompact SUV-B Segment)</b> |   |  |
| 1.2 (75) (F 12 XE (EB2FA))   |  | Gasolina         | FWD | 1199 | 61  | 83  | 07.19-  | * |  |
| 1.2 (75) (D 12 XHL (EB2ADT))                                       |  | Gasolina         | FWD | 1199 | 81  | 110 | 07.18-  | * |  |
| 1.2 (75) (F 12 XHL)  |  | Gasolina         | FWD | 1199 | 81  | 110 | 07.18-  | * |  |
| 1.5 (75) (D 15 DT (DV5RD))   |  | Diesel           | FWD | 1499 | 75  | 102 | 06.18-  | * |  |
| <b>PEUGEOT</b>   |  |                  |     |      |     |     |   |   |  |
| <b>2008 (CU_) 03.13-</b>   |  |                  |     |      |     |     | <b>Furgoneta/SUV (Compact SUV-J Segment)</b>    |   |  |
| PureTech 130 (CUHNYM, CUHNSS)                                      |  | Gasolina         | FWD | 1199 | 96  | 131 | 01.18-11.19                                     | * |  |
| BlueHdi 100 (CUYHYM)   |  | Diesel           | FWD | 1499 | 75  | 102 | 05.18-  | * |  |
| BlueHdi 120 (CUYHXK)   |  | Diesel           | FWD | 1499 | 88  | 120 | 05.18-  | * |  |
| <b>2008 (CU_) 03.13-</b>   |  |                  |     |      |     |     | <b>SUV (Compact SUV-J Segment)</b>              |   |  |
| 1.2 VTi (HMZ (EB2))  |  | Gasolina         | FWD | 1199 | 60  | 82  | 03.13-12.18                                     | * |  |
| 1.2 VTi (HMZ (EB2F))   |  | Gasolina         | FWD | 1199 | 60  | 82  | 03.13-12.18                                     | * |  |
| 1.2 PureTech 82 (HMR (EB2FA))                                      |  | Gasolina         | FWD | 1199 | 61  | 82  | 01.18-12.19                                     | * |  |
| 1.2 THP 110 / PureTech 110 (SAHNPS, SAHNZ6, SAHNZT) (HNP (EB2ADT)) |  | Gasolina         | FWD | 1199 | 81  | 110 | 01.15-  | * |  |
| 1.2 THP 110 / PureTech 110 (SAHNPS, SAHNZ6, SAHNZT) (HNV (EB2DTM)) |  | Gasolina         | FWD | 1199 | 81  | 110 | 01.15-  | * |  |
| 1.2 THP 110 / PureTech 110 (SAHNPS, SAHNZ6, SAHNZT) (HNZ (EB2DT))  |  | Gasolina         | FWD | 1199 | 81  | 110 | 01.15-  | * |  |
| 1.2 PureTech 110   |  | Gasolina         | FWD | 1199 | 84  | 114 | 05.19-  | * |  |
| 1.2 THP 130 / PureTech 130 (HNS (EB2ADTS))                         |  | Gasolina         | FWD | 1199 | 96  | 130 | 01.15-11.19                                     | * |  |
| 1.2 THP 130 / PureTech 130 (HNY (EB2DTS))                          |  | Gasolina         | FWD | 1199 | 96  | 130 | 01.15-11.19                                     | * |  |
| 1.6 VTi  |  | Gasolina         | FWD | 1587 | 85  | 116 | 02.16-  | * |  |
| 1.6 VTi (5FS (EP6C))   |  | Gasolina         | FWD | 1598 | 85  | 116 | 05.13-  | * |  |
| 1.6 VTi (5FS (EP6C))   |  | Gasolina         | FWD | 1598 | 88  | 120 | 03.13-  | * |  |
| 1.6 Flex   |  | Gasolina         | FWD | 1598 | 90  | 122 | 04.15-  | * |  |
| 1.6 THP 165 (5GY (EP6FDTM))  |  | Gasolina         | FWD | 1598 | 121 | 165 | 02.16-  | * |  |
| 1.6 THP 165 (5GZ (EP6FDT))   |  | Gasolina         | FWD | 1598 | 121 | 165 | 02.16-  | * |  |
| 1.6 Flex   |  | Gasolina         | FWD | 1598 | 127 | 173 | 04.15-  | * |  |
| 1.4 HDi (8HR (DV4C))   |  | Diesel           | FWD | 1398 | 50  | 68  | 06.13-  | * |  |
| 1.5 BlueHdi 100 (YHY (DV5RD))                                      |  | Diesel           | FWD | 1499 | 75  | 102 | 05.18-  | * |  |
| 1.5 BlueHdi 120 (YHX (DV5RC))                                      |  | Diesel           | FWD | 1499 | 88  | 120 | 05.18-  | * |  |
| 1.6 BlueHdi 75 (BHW (DV6FE))                                       |  | Diesel           | FWD | 1560 | 55  | 75  | 01.15-11.19                                     | * |  |
| 1.6 HDi (9HP (DV6DTED))  |  | Diesel           | FWD | 1560 | 68  | 92  | 03.13-  | * |  |
| 1.6 BlueHdi 100 (BHY (DV6FD))                                      |  | Diesel           | FWD | 1560 | 73  | 100 | 01.15-11.19                                     | * |  |
| 1.6 HDi (9HD (DV6C))   |  | Diesel           | FWD | 1560 | 84  | 114 | 03.13-  | * |  |
| 1.6 BlueHdi (BHX (DV6FC))  |  | Diesel           | FWD | 1560 | 85  | 116 | 07.14-  | * |  |
| 1.6 BlueHdi 120 (BHZ (DV6FC))                                      |  | Diesel           | FWD | 1560 | 88  | 120 | 07.14-04.18                                     | * |  |

# LISTA DE APLICACIONES - BUYERS GUIDE

| 2008 II (UD_, US_, UY_, UJ_, UR_, UC_) 08.19-                                |           |     |      |     | SUV (Compact SUV-J Segment)                   |             |   |  |
|--|-----------|-----|------|-----|---|-------------|---|--|
| 1.2 THP / PureTech 155 (USHNNS, URHNNS, UXHNJP, URHNJP,... (HNJ (EB2ADTXM))) | Gasolina  | FWD | 1199 | 114 | 155   | 11.19-      | * |  |
| 1.2 THP / PureTech 155 (USHNNS, URHNNS, UXHNJP, URHNJP,... (HNN (EB2ADTX)))  | Gasolina  | FWD | 1199 | 114 | 155   | 11.19-      | * |  |
| 1.2 THP / PureTech 155 (USHNNS, URHNNS, UXHNJP, URHNJP,... (HNR (EB2ADTXM))) | Gasolina  | FWD | 1199 | 114 | 155   | 11.19-      | * |  |
| e-2008 (UKZKXZ) (ZKX (ZK01))   | Eléctrico | FWD |      | 100 | 136   | 09.19-      | * |  |
| 1.5 BlueHDi 130 (YHZ (DV5RC))  | Diesel    | FWD | 1499 | 96  | 131   | 08.19-      | * |  |
| 207 (WA_, WC_) 02.06-  |           |     |      |     | [CAMBIADO]:Fastback (Supermini car-B Segment) |             |   |  |
| 1.4 16V (8FS (EP3))  | Gasolina  | FWD | 1397 | 70  | 95  | 06.07-10.13 | * |  |
| 1.4 16V (EP3)  | Gasolina  | FWD | 1397 | 70  | 95  | 06.07-10.13 | * |  |
| 1.4 16V (EP3C)   | Gasolina  | FWD | 1397 | 70  | 95  | 06.07-10.13 | * |  |
| 1.6 16V (NFU (TU5JP4))   | Gasolina  | FWD | 1587 | 80  | 109   | 02.06-10.13 | * |  |
| 1.6 (N6A (TU5JP4))   | Gasolina  | FWD | 1587 | 81  | 110   | 08.08-12.13 | * |  |
| 1.6 16V VTi (EP6)  | Gasolina  | FWD | 1598 | 81  | 110   | 09.08-12.12 | * |  |
| 1.6 16V VTi (5FS (EP6C))   | Gasolina  | FWD | 1598 | 88  | 120   | 02.07-12.12 | * |  |
| 1.6 16V VTi (5FW (EP6))  | Gasolina  | FWD | 1598 | 88  | 120   | 02.07-12.12 | * |  |
| 1.6 16V VTi (EP6)  | Gasolina  | FWD | 1598 | 88  | 120   | 02.07-12.12 | * |  |
| 1.6 16V Turbo (5FX (EP6DT))  | Gasolina  | FWD | 1598 | 110 | 150   | 02.06-10.13 | * |  |
| 1.6 16V Turbo (5FR (EP6DT))  | Gasolina  | FWD | 1598 | 115 | 156   | 10.09-12.12 | * |  |
| 1.6 16V RC (5FY (EP6DTS))  | Gasolina  | FWD | 1598 | 128 | 174   | 02.07-12.12 | * |  |
| 1.6 HDi (9HV (DV6TED4B))   | Diesel    | FWD | 1560 | 66  | 90  | 02.06-10.13 | * |  |
| 1.6 HDi (9HV (DV6TED4BU))  | Diesel    | FWD | 1560 | 66  | 90  | 02.06-10.13 | * |  |
| 1.6 HDi (9HX (DV6ATED4))   | Diesel    | FWD | 1560 | 66  | 90  | 02.06-10.13 | * |  |
| 1.6 HDi (9HP (DV6DTED))  | Diesel    | FWD | 1560 | 68  | 92  | 11.09-12.12 | * |  |
| 1.6 HDi (9HY (DV6TED4))  | Diesel    | FWD | 1560 | 80  | 109   | 02.06-10.13 | * |  |
| 1.6 HDi (9HZ (DV6TED4))  | Diesel    | FWD | 1560 | 80  | 109   | 02.06-10.13 | * |  |
| 1.6 HDi 110 (9HR (DV6C))   | Diesel    | FWD | 1560 | 82  | 112   | 08.09-12.12 | * |  |
| 207 (WA_, WC_) 04.06-  |           |     |      |     | Furgón/hatchback (LCVs-N1 Segment)            |             |   |  |
| 1.6 VTi (5FW (EP6))  | Gasolina  | FWD | 1598 | 88  | 120   | 03.07-12.12 | * |  |
| 1.6 HDi (9HX (DV6ATED4))   | Diesel    | FWD | 1560 | 66  | 90  | 04.07-10.12 | * |  |
| 1.6 HDi (9HZ (DV6TED4))  | Diesel    | FWD | 1560 | 80  | 109   | 04.06-12.12 | * |  |
| 207 CC (WD_) 02.07-  |           |     |      |     | Cabrio (Supermini car-B Segment)              |             |   |  |
| 1.6 16V (5FS (EP6C))   | Gasolina  | FWD | 1598 | 88  | 120   | 02.07-10.13 | * |  |
| 1.6 16V (5FW (EP6))  | Gasolina  | FWD | 1598 | 88  | 120   | 02.07-10.13 | * |  |
| 1.6 16V (EP6)  | Gasolina  | FWD | 1598 | 88  | 120   | 02.07-10.13 | * |  |
| 1.6 16V Turbo (5FX (EP6DT))  | Gasolina  | FWD | 1598 | 110 | 150   | 02.07-12.12 | * |  |
| 1.6 16V Turbo (5FR (EP6DT))  | Gasolina  | FWD | 1598 | 115 | 156   | 10.09-12.13 | * |  |
| 1.6 16V Turbo (5FV (EP6CDT))   | Gasolina  | FWD | 1598 | 115 | 156   | 10.09-12.13 | * |  |
| 1.6 HDi (9HZ (DV6TED4))  | Diesel    | FWD | 1560 | 80  | 109   | 02.07-01.15 | * |  |
| 1.6 HDi (9HR (DV6C))   | Diesel    | FWD | 1560 | 82  | 112   | 08.09-10.13 | * |  |
| 207 SW (WK_) 02.07-  |           |     |      |     | [CAMBIADO]:Break (Supermini car-B Segment)    |             |   |  |
| 1.6 16V (5FS (EP6C))   | Gasolina  | FWD | 1598 | 88  | 120   | 06.07-10.13 | * |  |
| 1.6 16V (5FW (EP6))  | Gasolina  | FWD | 1598 | 88  | 120   | 06.07-10.13 | * |  |
| 1.6 16V (EP6)  | Gasolina  | FWD | 1598 | 88  | 120   | 06.07-10.13 | * |  |
| 1.6 16V Turbo (5FX (EP6DT))  | Gasolina  | FWD | 1598 | 110 | 150   | 02.07-12.12 | * |  |
| 1.6 16V RC (5FY (EP6DTS))  | Gasolina  | FWD | 1598 | 128 | 174   | 02.07-12.12 | * |  |
| 1.6 HDi (9HV (DV6TED4B))   | Diesel    | FWD | 1560 | 66  | 90  | 06.07-12.12 | * |  |
| 1.6 HDi (9HV (DV6TED4BU))  | Diesel    | FWD | 1560 | 66  | 90  | 06.07-12.12 | * |  |
| 1.6 HDi (9HP (DV6DTED))  | Diesel    | FWD | 1560 | 68  | 92  | 11.09-12.13 | * |  |

# LISTA DE APLICACIONES - BUYERS GUIDE

|  |  |                  |     |      |  |     |             |   |  |
|--|--|------------------|-----|------|--|-----|-------------|---|--|
| 1.6 HDi (9HZ (DV6TED4))                                  |  | Diesel           | FWD | 1560 | 80   | 109 | 06.07-12.12 | * |  |
| 1.6 HDi (9HR (DV6C))                                     |  | Diesel           | FWD | 1560 | 82   | 112 | 08.09-10.13 | * |  |
| <b>207 SW (WK_) 08.07-12.12</b>                          |  |                  |     |      | <b>[CAMBIADO]:Furgón/Break (Supermini car-B Segment)</b> |     |             |   |  |
| 1.6 HDi (9HX (DV6ATED4))                                 |  | Diesel           | FWD | 1560 | 66   | 90  | 08.07-12.12 | * |  |
| 1.6 HDi (9HZ (DV6TED4))                                  |  | Diesel           | FWD | 1560 | 80   | 109 | 08.07-12.12 | * |  |
| <b>208 (CA_, CC_) 03.12-</b>                             |  |                  |     |      | <b>[CAMBIADO]:Fastback (Supermini car-B Segment)</b>     |     |             |   |  |
| 1.0 VTi (ZMZ (EB0))                                      |  | Gasolina         | FWD | 999  | 50   | 68  | 03.12-12.19 | * |  |
| 1.2 VTi 82 (HMZ (EB2))                                   |  | Gasolina         | FWD | 1199 | 60   | 82  | 03.12-12.19 | * |  |
| 1.2 VTi 82 (HMZ (EB2F))                                  |  | Gasolina         | FWD | 1199 | 60   | 82  | 03.12-12.19 | * |  |
| 1.2 THP 110 (HNP (EB2ADT))                               |  | Gasolina         | FWD | 1199 | 81   | 110 | 01.13-12.19 | * |  |
| 1.2 THP 110 (HNV (EB2DTM))                               |  | Gasolina         | FWD | 1199 | 81   | 110 | 01.13-12.19 | * |  |
| 1.2 THP 110 (HNZ (EB2DT))                                |  | Gasolina         | FWD | 1199 | 81   | 110 | 01.13-12.19 | * |  |
| 1.4 VTi (8FS (EP3))                                      |  | Gasolina         | FWD | 1397 | 70   | 95  | 03.12-12.19 | * |  |
| 1.4 VTi (EP3C)   |  | Gasolina         | FWD | 1397 | 70   | 95  | 03.12-12.19 | * |  |
| 1.4  |  | Gasolina         | FWD | 1449 | 66   | 90  | 01.13-      | * |  |
| 1.6 (EC5F)   |  | Gasolina         | FWD | 1587 | 85   | 116 | 01.13-12.19 | * |  |
| 1.6 Flex   |  | Gasolina         | FWD | 1587 | 90   | 122 | 01.13-      | * |  |
| 1.6 VTi (5FS (EP6C))                                     |  | Gasolina         | FWD | 1598 | 88   | 120 | 03.12-12.19 | * |  |
| 1.6 (5FS (EP6C))   |  | Gasolina         | FWD | 1598 | 89   | 121 | 09.16-      | * |  |
| 1.6 THP (5FV (EP6CDT))                                   |  | Gasolina         | FWD | 1598 | 115  | 156 | 03.12-12.19 | * |  |
| 1.6 THP 165 (5GZ (EP6FDT))                               |  | Gasolina         | FWD | 1598 | 121  | 165 | 03.15-12.19 | * |  |
| 1.6 GTi (CA5FU8) (5FU (EP6CDTX))                         |  | Gasolina         | FWD | 1598 | 147  | 200 | 08.12-12.19 | * |  |
| 1.6 GTi (5GR (EP6FDTX))                                  |  | Gasolina         | FWD | 1598 | 153  | 208 | 10.14-12.19 | * |  |
| 1.2 GPL (HMZ (EB2F))                                     |  | Gasol./Gas (LPG) | FWD | 1199 | 60   | 82  | 06.15-12.19 | * |  |
| 1.4 GPL (EP3C)   |  | Gasol./Gas (LPG) | FWD | 1397 | 70   | 95  | 10.13-12.19 | * |  |
| 1.5 Flex   |  | Gasol./Etanol    | FWD | 1449 | 68   | 92  | 01.13-12.16 | * |  |
| 1.4 HDi (8HP (DV4C))                                     |  | Diesel           | FWD | 1398 | 50   | 68  | 03.12-12.19 | * |  |
| 1.4 HDi (8HR (DV4C))                                     |  | Diesel           | FWD | 1398 | 50   | 68  | 03.12-12.19 | * |  |
| 1.5 BlueHDi 100 (YHY (DV5RD))                            |  | Diesel           | FWD | 1499 | 75   | 102 | 05.18-12.19 | * |  |
| 1.6 HDi / BlueHDi 75 (9HK (DV6ETEDM))                    |  | Diesel           | FWD | 1560 | 55   | 75  | 01.13-12.19 | * |  |
| 1.6 HDi / BlueHDi 75 (BHW (DV6FE))                       |  | Diesel           | FWD | 1560 | 55   | 75  | 01.13-12.19 | * |  |
| 1.6 HDi (9HJ (DV6DTEDEM))                                |  | Diesel           | FWD | 1560 | 68   | 92  | 03.12-12.19 | * |  |
| 1.6 HDi (9HP (DV6DTEDEM))                                |  | Diesel           | FWD | 1560 | 68   | 92  | 03.12-12.19 | * |  |
| 1.6 HDi (9HP (DV6DTEDEM))                                |  | Diesel           | FWD | 1560 | 69   | 94  | 09.16-      | * |  |
| 1.6 BlueHDi 100 (BHY (DV6FD))                            |  | Diesel           | FWD | 1560 | 73   | 100 | 01.15-12.19 | * |  |
| 1.6 e-HDi (9HR (DV6C))                                   |  | Diesel           | FWD | 1560 | 82   | 112 | 07.15-12.19 | * |  |
| 1.6 HDi (9HD (DV6C))                                     |  | Diesel           | FWD | 1560 | 84   | 114 | 03.12-12.19 | * |  |
| 1.6 HDi (BHX (DV6FC))                                    |  | Diesel           | FWD | 1560 | 85   | 116 | 01.15-12.19 | * |  |
| 1.6 BlueHDi 120 (BHZ (DV6FC))                            |  | Diesel           | FWD | 1560 | 88   | 120 | 01.15-12.19 | * |  |
| <b>208 (CR_) 02.13-12.19</b>                             |  |                  |     |      | <b>Furgón/hatchback (LCVs-N1 Segment)</b>                |     |             |   |  |
| 1.2 VTi 68 / PureTech 68 (CRHMP6, CRHMM6) (HMM (EB2FAD)) |  | Gasolina         | FWD | 1199 | 50   | 68  | 06.15-12.19 | * |  |
| 1.2 VTi 68 / PureTech 68 (CRHMP6, CRHMM6) (HMP (EB2FB))  |  | Gasolina         | FWD | 1199 | 50   | 68  | 06.15-12.19 | * |  |
| 1.2 VTi 82 / PureTech 82 (CRHMZ6, CRHMRP) (HMR (EB2FA))  |  | Gasolina         | FWD | 1199 | 60   | 82  | 06.15-12.19 | * |  |
| 1.2 VTi 82 / PureTech 82 (CRHMZ6, CRHMRP) (HMZ (EB2))    |  | Gasolina         | FWD | 1199 | 60   | 82  | 06.15-12.19 | * |  |
| 1.2 VTi 82 / PureTech 82 (CRHMZ6, CRHMRP) (HMZ (EB2F))   |  | Gasolina         | FWD | 1199 | 60   | 82  | 06.15-12.19 | * |  |
| 1.4 HDi 68 (CR8HR0) (8HR (DV4C))                         |  | Diesel           | FWD | 1398 | 50   | 68  | 02.13-12.19 | * |  |

# LISTA DE APLICACIONES - BUYERS GUIDE

|                                 |  |               |     |      |     |     |  |   |  |
|---------------------------------|--|---------------|-----|------|-----|-----|--|---|--|
| 1.5 BlueHDi 100 (YHY (DV5RD))   |  | Diesel        | FWD | 1499 | 75  | 102 | 05.18-12.19  | * |  |
| 1.6 BlueHDi 75 (BHW (DV6FE))    |  | Diesel        | FWD | 1560 | 55  | 75  | 04.15-12.19  | * |  |
| 1.6 HDi 92 (9HP (DV6DTE))       |  | Diesel        | FWD | 1560 | 68  | 92  | 03.14-12.19  | * |  |
| 1.6 BlueHDi 100 (BHY (DV6FD))   |  | Diesel        | FWD | 1560 | 73  | 99  | 06.15-12.19  | * |  |
| <b>308 (4A_, 4C_) 09.07-</b>    |  |               |     |      |     |     | <b>[CAMBIADO]:Fastback (Compact car-C Segment)</b> |   |  |
| 1.4 16V (8FS (EP3))             |  | Gasolina      | FWD | 1397 | 70  | 95  | 09.07-10.14  | * |  |
| 1.4 16V (EP3)                   |  | Gasolina      | FWD | 1397 | 70  | 95  | 09.07-10.14  | * |  |
| 1.6 16V (5FT (EP6DT))           |  | Gasolina      | FWD | 1598 | 103 | 140 | 09.07-10.14  | * |  |
| 1.6 16V (5FX (EP6DT))           |  | Gasolina      | FWD | 1598 | 110 | 150 | 09.07-10.14  | * |  |
| 1.6 HDi (9HV (DV6TED4B))        |  | Diesel        | FWD | 1560 | 66  | 90  | 09.07-10.14  | * |  |
| 1.6 HDi (9HV (DV6TED4BU))       |  | Diesel        | FWD | 1560 | 66  | 90  | 09.07-10.14  | * |  |
| 1.6 HDi (9HX (DV6ATED4))        |  | Diesel        | FWD | 1560 | 66  | 90  | 09.07-10.14  | * |  |
| 1.6 HDi (9HZ (DV6TED4))         |  | Diesel        | FWD | 1560 | 80  | 109 | 09.07-10.14  | * |  |
| 2.0 HDi (RHR (DW10BTED4))       |  | Diesel        | FWD | 1997 | 100 | 136 | 09.07-10.14  | * |  |
| 2.0 HDi (RHR (DW10CB))          |  | Diesel        | FWD | 1997 | 100 | 136 | 09.07-10.14  | * |  |
| <b>308 SW (4E_, 4H_) 09.07-</b> |  |               |     |      |     |     | <b>[CAMBIADO]:Break (Compact car-C Segment)</b>    |   |  |
| 1.4 16V (8FS (EP3))             |  | Gasolina      | FWD | 1397 | 70  | 95  | 09.07-10.14  | * |  |
| 1.4 16V (8FR (EP3))             |  | Gasolina      | FWD | 1397 | 72  | 98  | 12.09-10.14  | * |  |
| 1.6 16V (5FW (EP6))             |  | Gasolina      | FWD | 1598 | 88  | 120 | 09.07-10.14  | * |  |
| 1.6 16V (EP6)                   |  | Gasolina      | FWD | 1598 | 88  | 120 | 09.07-10.14  | * |  |
| 1.6 16V (5FT (EP6DT))           |  | Gasolina      | FWD | 1598 | 103 | 140 | 09.07-10.14  | * |  |
| 1.6 16V (5FX (EP6DT))           |  | Gasolina      | FWD | 1598 | 110 | 150 | 09.07-10.14  | * |  |
| 1.6 THP 16V (5FV (EP6CDT))      |  | Gasolina      | FWD | 1598 | 115 | 156 | 10.09-10.14  | * |  |
| 1.6 16V (5FY (EP6DTS))          |  | Gasolina      | FWD | 1598 | 128 | 174 | 03.08-10.14  | * |  |
| 1.6 BioFlex (NFU (TU5JP4))      |  | Gasol./Etanol | FWD | 1587 | 82  | 112 | 03.09-10.14  | * |  |
| 2.0 Bioflex (RFJ (EW10A))       |  | Gasol./Etanol | FWD | 1997 | 103 | 140 | 01.08-12.11  | * |  |
| 1.6 HDi (9HV (DV6TED4BU))       |  | Diesel        | FWD | 1560 | 66  | 90  | 09.07-10.14  | * |  |
| 1.6 HDi (9HX (DV6ATED4))        |  | Diesel        | FWD | 1560 | 66  | 90  | 09.07-10.14  | * |  |
| 1.6 HDi (9HZ (DV6TED4))         |  | Diesel        | FWD | 1560 | 80  | 109 | 09.07-10.14  | * |  |
| 1.6 HDi (9HR (DV6C))            |  | Diesel        | FWD | 1560 | 82  | 112 | 12.09-10.14  | * |  |
| 1.6 HDi (9HD (DV6C))            |  | Diesel        | FWD | 1560 | 84  | 114 | 03.13-10.14  | * |  |
| 2.0 HDi (RHR (DW10BTED4))       |  | Diesel        | FWD | 1997 | 100 | 136 | 09.07-12.12  | * |  |
| 2.0 HDi (RHR (DW10BTED4))       |  | Diesel        | FWD | 1997 | 103 | 140 | 09.07-10.14  | * |  |
| 2.0 HDi (RHE (DW10CTED4))       |  | Diesel        | FWD | 1997 | 110 | 150 | 04.11-10.14  | * |  |
| 2.0 HDi (RHH (DW10CTED4))       |  | Diesel        | FWD | 1997 | 120 | 163 | 06.09-10.14  | * |  |
| <b>308 CC (4B_) 02.09-</b>      |  |               |     |      |     |     | <b>Cabrio (Compact car-C Segment)</b>              |   |  |
| 1.6 HDi (9HD (DV6C))            |  | Diesel        | FWD | 1560 | 84  | 114 | 03.13-12.14  | * |  |
| <b>RCZ 03.10-</b>               |  |               |     |      |     |     | <b>Coupé (Compact car-C Segment)</b>               |   |  |
| 1.6 THP 150 (5FE (EP6CDTMD))    |  | Gasolina      | FWD | 1598 | 110 | 150 | 03.11-12.15  | * |  |
| 1.6 16V (5FV (EP6CDT))          |  | Gasolina      | FWD | 1598 | 115 | 156 | 03.10-12.15  | * |  |
| 1.6 16V (5FM (EP6CDTM))         |  | Gasolina      | FWD | 1598 | 121 | 165 | 01.11-12.15  | * |  |
| 1.6 16V (EP6CDTX)               |  | Gasolina      | FWD | 1598 | 147 | 200 | 06.10-12.15  | * |  |
| 1.6 THP 270 (5FG (EP6CDTR))     |  | Gasolina      | FWD | 1598 | 199 | 270 | 06.13-12.15  | * |  |
| 2.0 HDi (RHH (DW10CTED4))       |  | Diesel        | FWD | 1997 | 120 | 163 | 03.10-12.15  | * |  |
| <b>PEUGEOT (DF-PSA)</b>         |  |               |     |      |     |     |  |   |  |
| <b>2008 II (U_P24) 05.20-</b>   |  |               |     |      |     |     | <b>Closed SUV (Compact SUV-J Segment)</b>          |   |  |
| 230 THP                         |  | Gasolina      | FWD | 1199 | 100 | 136 | 05.20-   | * |  |
| EV                              |  | Eléctrico     | FWD |      | 120 | 163 | 05.20-   | * |  |

# LISTA DE APLICACIONES - BUYERS GUIDE

## RENAULT

| <b>AVANTIME (DE0_) 09.01-05.03</b>                                     |                  |     |      |     | <b>MPV (Large MPV-M1 Segment)</b>                    |             |   |  |
|--|------------------|-----|------|-----|--|-------------|---|--|
| 2.0 16V Turbo (DE0U, DE0V) (F4R 760)                                   | Gasolina         | FWD | 1998 | 120 | 163  | 11.01-05.03 | * |  |
| 2.0 16V Turbo (DE0U, DE0V) (F4R 761)                                   | Gasolina         | FWD | 1998 | 120 | 163  | 11.01-05.03 | * |  |
| 3.0 V6 (DE04, DE0T) (L7X 720)  | Gasolina         | FWD | 2946 | 152 | 207  | 09.01-05.03 | * |  |
| 3.0 V6 (DE04, DE0T) (L7X 721)  | Gasolina         | FWD | 2946 | 152 | 207  | 09.01-05.03 | * |  |
| 3.0 V6 (DE04, DE0T) (L7X 722)  | Gasolina         | FWD | 2946 | 152 | 207  | 09.01-05.03 | * |  |
| 2.2 dCi (DE01) (G9T 712)   | Diesel           | FWD | 2188 | 110 | 150  | 05.02-05.03 | * |  |
| <b>CLIO II / EURO CLIO (BR0/1, CR0/1) 01.05-</b>                       |                  |     |      |     | <b>[CAMBIADO]:Fastback (Supermini car-B Segment)</b> |             |   |  |
| 1.2 16V (D4F 764)  | Gasolina         | FWD | 1149 | 43  | 58   | 06.06-08.10 | * |  |
| 1.2 16V (BR0R, BR1D, BR1L, CR0R) (D4F 740)                             | Gasolina         | FWD | 1149 | 48  | 65   | 06.05-12.14 | * |  |
| 1.2 16V (BR02, BR0J, BR11, CR02, CR0J, CR11) (D4F 706)                 | Gasolina         | FWD | 1149 | 55  | 75   | 06.05-12.14 | * |  |
| 1.2 16V (BR02, BR0J, BR11, CR02, CR0J, CR11) (D4F 740)                 | Gasolina         | FWD | 1149 | 55  | 75   | 06.05-12.14 | * |  |
| 1.2 16V (BR02, BR0J, BR11, CR02, CR0J, CR11) (D4F 764)                 | Gasolina         | FWD | 1149 | 55  | 75   | 06.05-12.14 | * |  |
| 1.2 (BR01, BR03, BR0E, CR0E) (D4F 764)                                 | Gasolina         | FWD | 1149 | 57  | 78   | 10.05-12.12 | * |  |
| 1.2 16V (D4F 764)  | Gasolina         | FWD | 1149 | 58  | 78   | 06.05-12.14 | * |  |
| 1.2 16V (BR0P, CR0P) (D4F 784)   | Gasolina         | FWD | 1149 | 74  | 101  | 05.07-12.14 | * |  |
| 1.2 16V (D4F 786)  | Gasolina         | FWD | 1149 | 76  | 103  | 09.10-12.14 | * |  |
| 1.4 16V (K4J 780)  | Gasolina         | FWD | 1390 | 72  | 98   | 06.05-12.12 | * |  |
| 1.6 16V (BR09, BR0T, CR09, CR0T) (K4M 804)                             | Gasolina         | FWD | 1598 | 65  | 88   | 06.05-10.07 | * |  |
| 1.6 16V (BR05, BR0B, BR0Y, BR15, BR1J, BR1M, BR1Y, CR0B,...) (K4M 800) | Gasolina         | FWD | 1598 | 82  | 112  | 06.05-12.14 | * |  |
| 1.6 16V (BR05, BR0B, BR0Y, BR15, BR1J, BR1M, BR1Y, CR0B,...) (K4M 801) | Gasolina         | FWD | 1598 | 82  | 112  | 06.05-12.14 | * |  |
| 1.6 16V GT (BR10, CR10) (K4M 862)                                      | Gasolina         | FWD | 1598 | 94  | 128  | 06.09-12.14 | * |  |
| 2.0 16V (BR0C, BR0K, CR0C, CR0K) (M4R 700)                             | Gasolina         | FWD | 1997 | 102 | 139  | 09.06-12.14 | * |  |
| 2.0 16V (BR0C, BR0K, CR0C, CR0K) (M4R 701)                             | Gasolina         | FWD | 1997 | 102 | 139  | 09.06-12.14 | * |  |
| 2.0 16V Sport (CR0N, CR1P) (F4R 830)                                   | Gasolina         | FWD | 1998 | 145 | 197  | 02.06-12.12 | * |  |
| 2.0 16V Sport (CR0N, CR1P) (F4R 832)                                   | Gasolina         | FWD | 1998 | 145 | 197  | 02.06-12.12 | * |  |
| 2.0 16V Sport (F4R 832)  | Gasolina         | FWD | 1998 | 148 | 200  | 09.08-12.14 | * |  |
| 1.2 16V Hi-Flex (BR1U, CR1U) (D4F 740)                                 | Gasol./Gas (LPG) | FWD | 1149 | 55  | 75   | 07.08-12.14 | * |  |
| 1.2 Ethanol (CR1U, BR1U) (D4F 742)                                     | Gasol./Etanol    | FWD | 1149 | 55  | 75   | 07.08-12.12 | * |  |
| 1.5 dCi (K9K 752)  | Diesel           | FWD | 1461 | 47  | 64   | 06.05-12.12 | * |  |
| 1.5 dCi (K9K 752)  | Diesel           | FWD | 1461 | 48  | 65   | 05.05-11.10 | * |  |
| 1.5 dCi (C/BR0G, C/BR1G) (K9K 714)                                     | Diesel           | FWD | 1461 | 50  | 68   | 06.05-12.12 | * |  |
| 1.5 dCi (C/BR0G, C/BR1G) (K9K 768)                                     | Diesel           | FWD | 1461 | 50  | 68   | 06.05-12.12 | * |  |
| 1.5 dCi (K9K 770)  | Diesel           | FWD | 1461 | 55  | 75   | 08.10-12.14 | * |  |
| 1.5 dCi (K9K 750)  | Diesel           | FWD | 1461 | 60  | 82   | 11.07-12.12 | * |  |
| 1.5 dCi (BR17, CR17) (K9K 766)   | Diesel           | FWD | 1461 | 63  | 86   | 06.05-12.12 | * |  |
| 1.5 dCi (K9K 766)  | Diesel           | FWD | 1461 | 65  | 88   | 08.10-12.14 | * |  |
| 1.5 dCi (K9K 770)  | Diesel           | FWD | 1461 | 65  | 88   | 08.10-12.14 | * |  |
| 1.5 dCi (BR1C, CR1C) (K9K 772)   | Diesel           | FWD | 1461 | 76  | 103  | 06.05-12.12 | * |  |
| 1.5 dCi (BR0H, CR0H, CR1S, BR1S) (K9K 764)                             | Diesel           | FWD | 1461 | 78  | 106  | 06.05-12.14 | * |  |
| 1.5 dCi (BR0H, CR0H, CR1S, BR1S) (K9K 774)                             | Diesel           | FWD | 1461 | 78  | 106  | 06.05-12.14 | * |  |
| <b>CLIO III (SB_, SR_) 06.05-</b>                                      |                  |     |      |     | <b>Furgón/hatchback (LCVs-N1 Segment)</b>            |             |   |  |
| 1.2 (SR0J) (D4F 740)   | Gasolina         | FWD | 1149 | 55  | 75   | 11.05-12.14 | * |  |
| 1.2 (SR0P) (D4F 784)   | Gasolina         | FWD | 1149 | 74  | 101  | 11.07-12.11 | * |  |
| 1.2 Hi-Flex (SR1U) (D4F 742)   | Gasol./Etanol    | FWD | 1149 | 58  | 79   | 11.07-12.09 | * |  |

# LISTA DE APLICACIONES - BUYERS GUIDE

|  |  |               |     |  |     |     |             |   |
|--|--|---------------|-----|--|-----|-----|-------------|---|
| 1.5 dCi (K9K 768)                          |  | Diesel        | FWD | 1461   | 50  | 68  | 10.05-07.10 | * |
| 1.5 dCi                                    |  | Diesel        | FWD | 1461   | 55  | 75  | 08.10-12.14 | * |
| 1.5 dCi (K9K 766)                          |  | Diesel        | FWD | 1461   | 63  | 86  | 06.05-07.10 | * |
| 1.5 dCi (SR1H) (K9K 770)                   |  | Diesel        | FWD | 1461   | 65  | 88  | 08.10-12.14 | * |
| 1.5 dCi (K9K 764)                          |  | Diesel        | FWD | 1461   | 78  | 106 | 10.05-10.07 | * |
| <b>CLIO III Grandtour (KR0/1_) 11.07-</b>  |  |               |     | <b>[CAMBIADO]:Break (Supermini car-B Segment)</b>    |     |     |             |   |
| 1.2 16V (KR02, KR0J) (D4F 740)             |  | Gasolina      | FWD | 1149   | 55  | 75  | 02.08-12.14 | * |
| 1.2 16V (KR0E) (D4F 764)                   |  | Gasolina      | FWD | 1149   | 58  | 78  | 11.07-12.14 | * |
| 1.2 16V (KR0P) (D4F 784)                   |  | Gasolina      | FWD | 1149   | 74  | 101 | 11.07-12.12 | * |
| 1.2 16V (D4F 786)                          |  | Gasolina      | FWD | 1149   | 76  | 103 | 03.10-12.12 | * |
| 1.4 16V (K4J 780)                          |  | Gasolina      | FWD | 1390   | 72  | 98  | 11.07-12.12 | * |
| 1.6 16V                                    |  | Gasolina      | FWD | 1598   | 80  | 109 | 11.07-12.12 | * |
| 1.6 16V (KR0B) (K4M 800)                   |  | Gasolina      | FWD | 1598   | 82  | 112 | 11.07-12.12 | * |
| 1.6 16V (KR0B) (K4M 801)                   |  | Gasolina      | FWD | 1598   | 82  | 112 | 11.07-12.12 | * |
| 1.6 16V (KR10) (K4M 862)                   |  | Gasolina      | FWD | 1598   | 94  | 128 | 11.07-12.12 | * |
| 1.2 16V Hi-Flex (KR0S) (D4F 740)           |  | Gasol./Etanol | FWD | 1149   | 55  | 75  | 07.08-12.14 | * |
| 1.2 16V Hi-Flex (KR1U) (D4F 742)           |  | Gasol./Etanol | FWD | 1149   | 58  | 79  | 11.07-12.12 | * |
| 1.5 dCi (K9K 752)                          |  | Diesel        | FWD | 1461   | 48  | 65  | 11.07-12.12 | * |
| 1.5 dCi (KR0G) (K9K 714)                   |  | Diesel        | FWD | 1461   | 50  | 68  | 11.07-12.12 | * |
| 1.5 dCi (KR0G) (K9K 768)                   |  | Diesel        | FWD | 1461   | 50  | 68  | 11.07-12.12 | * |
| 1.5 dCi (K9K 770)                          |  | Diesel        | FWD | 1461   | 55  | 75  | 08.10-12.12 | * |
| 1.5 dCi (KR0F) (K9K 766)                   |  | Diesel        | FWD | 1461   | 63  | 86  | 11.07-12.12 | * |
| 1.5 dCi (K9K 770)                          |  | Diesel        | FWD | 1461   | 65  | 88  | 08.10-12.12 | * |
| 1.5 dCi (K9K 772)                          |  | Diesel        | FWD | 1461   | 65  | 88  | 08.10-12.12 | * |
| 1.5 dCi (KR1C, KR1N) (K9K 772)             |  | Diesel        | FWD | 1461   | 76  | 103 | 11.07-12.12 | * |
| 1.5 dCi (KR0H, KR1S) (K9K 764)             |  | Diesel        | FWD | 1461   | 78  | 106 | 02.08-12.12 | * |
| 1.5 dCi (KR0H, KR1S) (K9K 774)             |  | Diesel        | FWD | 1461   | 78  | 106 | 02.08-12.12 | * |
| <b>CLIO IV (BH_) 11.12-</b>                |  |               |     | <b>[CAMBIADO]:Fastback (Supermini car-B Segment)</b> |     |     |             |   |
| 1.6 RS (BHJ4, BHJ6, BHMM) (M5M 400)        |  | Gasolina      | FWD | 1618   | 147 | 200 | 03.13-08.21 | * |
| 1.6 RS (BHJ4, BHJ6, BHMM) (M5M 401)        |  | Gasolina      | FWD | 1618   | 147 | 200 | 03.13-08.21 | * |
| 1.6 RS (BHJ4, BHJ6, BHMM) (M5M 450)        |  | Gasolina      | FWD | 1618   | 147 | 200 | 03.13-08.21 | * |
| 1.6 RS Trophy (BHJ4, BHJ6) (M5M 401)       |  | Gasolina      | FWD | 1618   | 162 | 220 | 03.15-08.21 | * |
| <b>ESPACE III (JE0_) 11.96-10.02</b>       |  |               |     | <b>MPV (Large MPV-M1 Segment)</b>                    |     |     |             |   |
| 2.0 (F4R 700)                              |  | Gasolina      | FWD | 1998   | 102 | 139 | 09.01-10.02 | * |
| 2.0 (F4R 701)                              |  | Gasolina      | FWD | 1998   | 102 | 139 | 09.01-10.02 | * |
| 2.0 16V (JE0N, JE0L, JE02) (F4R 700)       |  | Gasolina      | FWD | 1998   | 103 | 140 | 10.98-10.02 | * |
| 2.0 16V (JE0N, JE0L, JE02) (F4R 701)       |  | Gasolina      | FWD | 1998   | 103 | 140 | 10.98-10.02 | * |
| 3.0 V6 24V (JE0G, JE0R) (L7X 727)          |  | Gasolina      | FWD | 2946   | 140 | 190 | 10.98-10.02 | * |
| 2.2 12V TD (JE0E, JE0H, JE0P) (G8T 714)    |  | Diesel        | FWD | 2188   | 83  | 113 | 11.96-10.00 | * |
| 2.2 12V TD (JE0E, JE0H, JE0P) (G8T 716)    |  | Diesel        | FWD | 2188   | 83  | 113 | 11.96-10.00 | * |
| 2.2 12V TD (JE0E, JE0H, JE0P) (G8T 760)    |  | Diesel        | FWD | 2188   | 83  | 113 | 11.96-10.00 | * |
| 2.2 D (G8T 716)                            |  | Diesel        | FWD | 2188   | 84  | 114 | 11.97-01.00 | * |
| 2.2 dCi (JE0S) (G9T 710)                   |  | Diesel        | FWD | 2188   | 85  | 115 | 07.00-10.02 | * |
| 2.2 dCi (JE0K) (G9T 642)                   |  | Diesel        | FWD | 2188   | 95  | 130 | 10.00-10.02 | * |
| 2.2 dCi (JE0K) (G9T 710)                   |  | Diesel        | FWD | 2188   | 95  | 130 | 10.00-10.02 | * |
| <b>FLUENCE / SYMBOL (L3_) 02.10-</b>       |  |               |     | <b>Sedán (Luxury car-F Segment)</b>                  |     |     |             |   |
| 1.6 16V (K4M 838)                          |  | Gasolina      | FWD | 1598   | 78  | 106 | 02.10-      | * |
| 1.6 16V (L301, L30F, L30P, L30R) (K4M 838) |  | Gasolina      | FWD | 1598   | 81  | 110 | 02.10-      | * |
| 1.6 16V (L301, L30F, L30P, L30R) (K4M 839) |  | Gasolina      | FWD | 1598   | 81  | 110 | 02.10-      | * |

# LISTA DE APLICACIONES - BUYERS GUIDE

|  |                  |     |      |                                     |     |             |   |
|--|------------------|-----|------|-------------------------------------|-----|-------------|---|
| 1.6 16V (L301, L30P, L30R) (K4M 838)                               | Gasolina         | FWD | 1598 | 82                                  | 111 | 02.10-      | * |
| 1.6 (L33J)   | Gasolina         | FWD | 1598 | 84                                  | 114 | 11.15-      | * |
| 1.6 (L33T, L33J, L304, L305, L30H) (H4M 729)                       | Gasolina         | FWD | 1598 | 86                                  | 117 | 01.13-      | * |
| 2.0 16V  | Gasolina         | FWD | 1997 | 101                                 | 137 | 05.11-      | * |
| 2.0 16V (L30C, L30G, L30T, L30V) (M4R 714)                         | Gasolina         | FWD | 1997 | 103                                 | 140 | 02.10-      | * |
| 2.0 16V (L30C, L30G, L30T, L30V) (M4R 751)                         | Gasolina         | FWD | 1997 | 103                                 | 140 | 02.10-      | * |
| 2.0 (M4R 714)  | Gasolina         | FWD | 1997 | 105                                 | 143 | 05.14-      | * |
| 2.0 (M4R 751)  | Gasolina         | FWD | 1997 | 105                                 | 143 | 05.14-      | * |
| 1.6 LPG 16V (K4M 839)  | Gasol./Gas (LPG) | FWD | 1598 | 81                                  | 110 | 01.12-      | * |
| 2.0 Flex   | Gasol./Etanol    | FWD | 1997 | 105                                 | 143 | 02.10-11.18 | * |
| Z.E. (5AM 400)   | Eléctrico        | FWD |      | 70                                  | 95  | 02.12-      | * |
| 1.5 dCi (L30A) (K9K 830)   | Diesel           | FWD | 1461 | 63                                  | 86  | 02.10-      | * |
| 1.5 dCi (L30S) (K9K 834)   | Diesel           | FWD | 1461 | 66                                  | 90  | 02.10-      | * |
| 1.5 dCi (K9K 826)  | Diesel           | FWD | 1461 | 70                                  | 95  | 07.14-      | * |
| 1.5 dCi (L30B) (K9K 832)   | Diesel           | FWD | 1461 | 78                                  | 106 | 02.10-      | * |
| 1.5 dCi (L30D, L30L, L306, L33F, L33L, L33M, L33V, L33W) (K9K 656) | Diesel           | FWD | 1461 | 81                                  | 110 | 02.10-      | * |
| 1.5 dCi (L30D, L30L, L306, L33F, L33L, L33M, L33V, L33W) (K9K 657) | Diesel           | FWD | 1461 | 81                                  | 110 | 02.10-      | * |
| 1.5 dCi (L30D, L30L, L306, L33F, L33L, L33M, L33V, L33W) (K9K 836) | Diesel           | FWD | 1461 | 81                                  | 110 | 02.10-      | * |
| 1.5 dCi (L30D, L30L, L306, L33F, L33L, L33M, L33V, L33W) (K9K 837) | Diesel           | FWD | 1461 | 81                                  | 110 | 02.10-      | * |
| 1.6 dCi (R9M 402)  | Diesel           | FWD | 1598 | 96                                  | 130 | 01.13-      | * |
| <b>GRAND SCÉNIC II (JM0/1_) 04.04-</b>                             |                  |     |      | <b>MPV (Compact MPV-M1 Segment)</b> |     |             |   |
| 1.6 (K4M 788)  | Gasolina         | FWD | 1598 | 77                                  | 105 | 06.06-11.08 | * |
| 1.6 (K4M 812)  | Gasolina         | FWD | 1598 | 82                                  | 112 | 06.06-11.08 | * |
| 1.6 (K4M 761)  | Gasolina         | FWD | 1598 | 83                                  | 113 | 04.04-08.06 | * |
| 1.6 (K4M 782)  | Gasolina         | FWD | 1598 | 83                                  | 113 | 04.04-08.06 | * |
| 2.0 (F4R 770)  | Gasolina         | FWD | 1998 | 99                                  | 135 | 04.04-06.09 | * |
| 2.0 (F4R 771)  | Gasolina         | FWD | 1998 | 99                                  | 135 | 04.04-06.09 | * |
| 2.0 (F4R 776)  | Gasolina         | FWD | 1998 | 120                                 | 163 | 04.04-06.09 | * |
| 1.6 Flex (K4M 766)   | Gasol./Etanol    | FWD | 1598 | 82                                  | 112 | 06.06-06.09 | * |
| 1.5 dCi (JM02, JM13) (K9K 728)                                     | Diesel           | FWD | 1461 | 74                                  | 101 | 04.04-11.08 | * |
| 1.5 dCi (K9K 734)  | Diesel           | FWD | 1461 | 76                                  | 103 | 06.06-11.08 | * |
| 1.5 dCi (JM1E) (K9K 732)   | Diesel           | FWD | 1461 | 78                                  | 106 | 05.05-01.09 | * |
| 1.9 dCi (JM15) (F9Q E 804)   | Diesel           | FWD | 1870 | 81                                  | 110 | 05.05-11.08 | * |
| 1.9 dCi (F9Q 803)  | Diesel           | FWD | 1870 | 85                                  | 116 | 05.05-01.09 | * |
| 1.9 dCi (F9Q 804)  | Diesel           | FWD | 1870 | 85                                  | 116 | 05.05-01.09 | * |
| 1.9 dCi (F9Q 812)  | Diesel           | FWD | 1870 | 85                                  | 116 | 05.05-01.09 | * |
| 1.9 dCi (JM0G, JM12, JM1G, JM2C) (F9Q 812)                         | Diesel           | FWD | 1870 | 88                                  | 120 | 04.04-05.06 | * |
| 1.9 dCi (JM14) (F9Q 816)   | Diesel           | FWD | 1870 | 96                                  | 131 | 04.04-02.08 | * |
| 1.9 dCi (JM14) (F9Q 818)   | Diesel           | FWD | 1870 | 96                                  | 131 | 04.04-02.08 | * |
| 1.9 dCi (JM14) (F9Q EE 804)  | Diesel           | FWD | 1870 | 96                                  | 131 | 04.04-02.08 | * |
| 1.9 dCi (JM14) (F9Q J 803)   | Diesel           | FWD | 1870 | 96                                  | 131 | 04.04-02.08 | * |
| 2.0 dCi (JM1K) (M9R 700)   | Diesel           | FWD | 1995 | 110                                 | 150 | 09.05-11.08 | * |
| 2.0 dCi (JM1K) (M9R 721)   | Diesel           | FWD | 1995 | 110                                 | 150 | 09.05-11.08 | * |
| 2.0 dCi (JM1K) (M9R 722)   | Diesel           | FWD | 1995 | 110                                 | 150 | 09.05-11.08 | * |
| <b>GRAND SCÉNIC III (JZ0/1_) 02.09-</b>                            |                  |     |      | <b>MPV (Compact MPV-M1 Segment)</b> |     |             |   |
| 1.2 TCe (JZ11, JZ28) (H5F 400)                                     | Gasolina         | FWD | 1197 | 85                                  | 116 | 04.12-09.16 | * |
| 1.2 TCe (JZ28) (H5F 408)   | Gasolina         | FWD | 1197 | 96                                  | 131 | 07.14-09.16 | * |
| 1.2 TCe (JZ16) (H5F 404)   | Gasolina         | FWD | 1197 | 97                                  | 132 | 01.13-09.16 | * |

## LISTA DE APLICACIONES - BUYERS GUIDE

|  |  |                  |     |   |     |     |             |   |
|--|--|------------------|-----|---|-----|-----|-------------|---|
| 1.4 16V (JZ0F) (H4J 700)                                     |  | Gasolina         | FWD | 1397  | 96  | 131 | 02.09-09.16 | * |
| 1.6 16V (JZ0U) (K4M 858)                                     |  | Gasolina         | FWD | 1598  | 81  | 109 | 02.09-09.16 | * |
| 2.0 16V (JZ0G) (M4R 711)                                     |  | Gasolina         | FWD | 1997  | 103 | 140 | 02.09-09.16 | * |
| 1.6 16V Bifuel (JZ1Y) (K4M 866)                              |  | Gasol./Gas (LPG) | FWD | 1598  | 79  | 107 | 04.12-09.16 | * |
| 1.6 16V Bifuel (JZ1Y) (K4M 866)                              |  | Gasol./Gas (LPG) | FWD | 1598  | 81  | 110 | 02.09-09.16 | * |
| 1.6 E85 (JZ03, JZ1Y) (K4M 866)                               |  | Gasol./Etanol    | FWD | 1598  | 81  | 110 | 02.09-09.16 | * |
| 1.5 dCi (JZ0A) (K9K 830)                                     |  | Diesel           | FWD | 1461  | 63  | 86  | 04.09-09.16 | * |
| 1.5 dCi (JZ02, JZ0R) (K9K 846)                               |  | Diesel           | FWD | 1461  | 70  | 95  | 11.10-09.16 | * |
| 1.5 dCi (JZ0B, JZ07) (K9K 832)                               |  | Diesel           | FWD | 1461  | 78  | 106 | 02.09-09.16 | * |
| 1.5 dCi (JZ09, JZ0D, JZ10, JZ14, JZ1G, JZ29, JZ2C) (K9K 636) |  | Diesel           | FWD | 1461  | 81  | 110 | 04.09-09.16 | * |
| 1.5 dCi (JZ09, JZ0D, JZ10, JZ14, JZ1G, JZ29, JZ2C) (K9K 836) |  | Diesel           | FWD | 1461  | 81  | 110 | 04.09-09.16 | * |
| 1.5 dCi (JZ09, JZ0D, JZ10, JZ14, JZ1G, JZ29, JZ2C) (K9K 837) |  | Diesel           | FWD | 1461  | 81  | 110 | 04.09-09.16 | * |
| 1.6 dCi (JZ00, JZ12) (R9M 402)                               |  | Diesel           | FWD | 1598  | 96  | 130 | 04.11-09.16 | * |
| 1.6 dCi (JZ00, JZ12) (R9M 404)                               |  | Diesel           | FWD | 1598  | 96  | 130 | 04.11-09.16 | * |
| 1.6 dCi (JZ00, JZ12) (R9M 414)                               |  | Diesel           | FWD | 1598  | 96  | 130 | 04.11-09.16 | * |
| 1.9 dCi (JZ0J, JZ0N, JZ1K, JZ1S) (F9Q 870)                   |  | Diesel           | FWD | 1870  | 96  | 131 | 02.09-09.16 | * |
| 1.9 dCi (JZ0J, JZ0N, JZ1K, JZ1S) (F9Q 872)                   |  | Diesel           | FWD | 1870  | 96  | 131 | 02.09-09.16 | * |
| 2.0 dCi (JZ0Y, JZ26) (M9R 615)                               |  | Diesel           | FWD | 1995  | 110 | 150 | 02.09-09.16 | * |
| 2.0 dCi (JZ0L) (M9R 610)                                     |  | Diesel           | FWD | 1995  | 118 | 160 | 04.09-09.16 | * |
| <b>GRAND SCÉNIC IV (R9_) 09.16-</b>                          |  |                  |     | <b>MPV (Compact MPV-M1 Segment)</b>             |     |     |             |   |
| 1.2 TCe 115 (H5F 408)  |  | Gasolina         | FWD | 1198  | 85  | 115 | 09.16-03.23 | * |
| 1.2 TCe 130 (H5F 408)  |  | Gasolina         | FWD | 1198  | 96  | 130 | 09.16-03.23 | * |
| 1.3 TCe 115 (R9N9) (H5H 450)                                 |  | Gasolina         | FWD | 1332  | 85  | 115 | 01.18-03.23 | * |
| 1.3 TCe 115 (R9N9) (H5H 470)                                 |  | Gasolina         | FWD | 1332  | 85  | 115 | 01.18-03.23 | * |
| 1.3 TCe 140 (R9NB) (H5H 450)                                 |  | Gasolina         | FWD | 1332  | 103 | 140 | 01.18-03.23 | * |
| 1.3 TCe 140 (R9NB) (H5H 470)                                 |  | Gasolina         | FWD | 1332  | 103 | 140 | 01.18-03.23 | * |
| 1.3 TCe 160 (R9NC)   |  | Gasolina         | FWD | 1332  | 116 | 158 | 01.22-03.23 | * |
| 1.3 TCe 160 (R9NC) (H5H 470)                                 |  | Gasolina         | FWD | 1332  | 117 | 159 | 09.18-03.23 | * |
| 1.3 TCe 160 (H5H 450)  |  | Gasolina         | FWD | 1332  | 120 | 163 | 01.18-03.23 | * |
| 1.5 dCi 95 Hybrid Assist (R9A3)                              |  | Diesel/eléc.     | FWD | 1461  | 70  | 95  | 11.16-03.23 | * |
| 1.5 dCi 110 Hybrid Assist (R9AE, R9A3) (K9K 500)             |  | Diesel/eléc.     | FWD | 1461  | 81  | 110 | 04.17-03.23 | * |
| 1.5 dCi 110 Hybrid Assist (R9AE, R9A3) (K9K 502)             |  | Diesel/eléc.     | FWD | 1461  | 81  | 110 | 04.17-03.23 | * |
| 1.5 dCi 110 (R9A3) (K9K 646)                                 |  | Diesel           | FWD | 1461  | 81  | 110 | 09.16-03.23 | * |
| 1.5 dCi 110 (R9A3) (K9K 647)                                 |  | Diesel           | FWD | 1461  | 81  | 110 | 09.16-03.23 | * |
| 1.6 dCi 130 (R9M 409)  |  | Diesel           | FWD | 1598  | 96  | 130 | 09.16-03.23 | * |
| 1.6 dCi 160 (R9M 452)  |  | Diesel           | FWD | 1598  | 118 | 160 | 09.16-03.23 | * |
| 1.7 Blue dCi 120 (R9A7, R9A8) (R9N 400)                      |  | Diesel           | FWD | 1749  | 88  | 120 | 08.18-03.23 | * |
| 1.7 Blue dCi 120 (R9A7, R9A8) (R9N 401)                      |  | Diesel           | FWD | 1749  | 88  | 120 | 08.18-03.23 | * |
| 1.7 Blue dCi 150 (R9A7, R9A8) (R9N 401)                      |  | Diesel           | FWD | 1749  | 110 | 150 | 08.18-03.23 | * |
| <b>MEGANE Grandtour (KA0/1_) 03.99-08.03</b>                 |  |                  |     | <b>[CAMBIADO]:Break (Compact car-C Segment)</b> |     |     |             |   |
| 1.6 16V (KA0B, KA04, KA11) (K4M 700)                         |  | Gasolina         | FWD | 1598  | 79  | 107 | 03.99-08.03 | * |
| 1.6 16V (KA0B, KA04, KA11) (K4M 701)                         |  | Gasolina         | FWD | 1598  | 79  | 107 | 03.99-08.03 | * |
| 1.6 16V (KA0B, KA04, KA11) (K4M 708)                         |  | Gasolina         | FWD | 1598  | 79  | 107 | 03.99-08.03 | * |
| 1.6 16V (KA0B, KA04, KA11) (K4M 709)                         |  | Gasolina         | FWD | 1598  | 79  | 107 | 03.99-08.03 | * |
| 1.8 16V (KA0S, KA12, KA1A, KA1M, KA1R) (F4P 720)             |  | Gasolina         | FWD | 1783  | 85  | 115 | 01.01-08.03 | * |

## LISTA DE APLICACIONES - BUYERS GUIDE

|  |                  |     |      |   |     |             |   |
|--|------------------|-----|------|---|-----|-------------|---|
| 1.8 16V (KA0S, KA12, KA1A, KA1M, KA1R) (F4P 722) | Gasolina         | FWD | 1783 | 85  | 115 | 01.01-08.03 | * |
| 1.9 dTi (KA1U) (F9Q 744)                         | Diesel           | FWD | 1870 | 59  | 80  | 02.01-08.03 | * |
| 1.9 dCi (KA05, KA1F) (F9Q 732)                   | Diesel           | FWD | 1870 | 75  | 102 | 02.01-08.03 | * |
| 1.9 dCi (KA05, KA1F) (F9Q 733)                   | Diesel           | FWD | 1870 | 75  | 102 | 02.01-08.03 | * |
| 1.9 dCi (KA05, KA1F) (F9Q 738)                   | Diesel           | FWD | 1870 | 75  | 102 | 02.01-08.03 | * |
| 1.9 dCi (F9Q 732)                                | Diesel           | FWD | 1870 | 77  | 105 | 03.99-09.00 | * |
| <b>MEGANE IV (LVA/M/N) 10.16-</b>                |                  |     |      | <b>Sedán (Compact car-C Segment)</b>            |     |             |   |
| 1.2 TCe 130 (H5F 408)                            | Gasolina         | FWD | 1197 | 97  | 130 | 10.16-      | * |
| 1.3 TCe 115 (LVN9) (H5H 450)                     | Gasolina         | FWD | 1332 | 85  | 116 | 01.18-      | * |
| 1.3 TCe 115 (LVN9) (H5H 470)                     | Gasolina         | FWD | 1332 | 85  | 116 | 01.18-      | * |
| 1.3 TCe 140 (LVNB) (H5H 450)                     | Gasolina         | FWD | 1332 | 103   | 140 | 01.18-      | * |
| 1.3 TCe 140 (LVNB) (H5H 470)                     | Gasolina         | FWD | 1332 | 103   | 140 | 01.18-      | * |
| 1.6 SCe (LVM0)                                   | Gasolina         | FWD | 1598 | 84  | 115 | 10.16-      | * |
| 1.5 dCi 90 (LVA1) (K9K 656)                      | Diesel           | FWD | 1461 | 66  | 90  | 10.16-      | * |
| 1.5 Blue dCi 95 (LVA2) (K9K 872)                 | Diesel           | FWD | 1461 | 70  | 95  | 02.19-      | * |
| 1.5 dCi 110                                      | Diesel           | FWD | 1461 | 81  | 110 | 10.16-      | * |
| 1.5 Blue dCi 115 (LVA6) (K9K 872)                | Diesel           | FWD | 1461 | 85  | 115 | 02.19-      | * |
| 1.5 Blue dCi 115 (LVA6) (K9K 873)                | Diesel           | FWD | 1461 | 85  | 115 | 02.19-      | * |
| 1.6 dCi 130                                      | Diesel           | FWD | 1598 | 96  | 130 | 10.16-      | * |
| <b>MEGANE II (KM0/1_) 08.03-08.12</b>            |                  |     |      | <b>[CAMBIADO]:Break (Compact car-C Segment)</b> |     |             |   |
| 1.4 (K4J 730)                                    | Gasolina         | FWD | 1390 | 72  | 98  | 08.03-07.09 | * |
| 1.4 (K4J 740)                                    | Gasolina         | FWD | 1390 | 72  | 98  | 08.03-07.09 | * |
| 1.6 16V (K4M 768)                                | Gasolina         | FWD | 1598 | 75  | 102 | 05.05-07.09 | * |
| 1.6 16V (K4M 762)                                | Gasolina         | FWD | 1598 | 77  | 105 | 05.05-07.09 | * |
| 1.6 16V (K4M 762)                                | Gasolina         | FWD | 1598 | 81  | 110 | 05.06-10.11 | * |
| 1.6 16V (K4M 760)                                | Gasolina         | FWD | 1598 | 82  | 112 | 01.06-08.09 | * |
| 1.6 16V (K4M 761)                                | Gasolina         | FWD | 1598 | 82  | 112 | 01.06-08.09 | * |
| 1.6 16V (K4M 812)                                | Gasolina         | FWD | 1598 | 82  | 112 | 01.06-08.09 | * |
| 1.6 16V (K4M 813)                                | Gasolina         | FWD | 1598 | 82  | 112 | 01.06-08.09 | * |
| 1.6 (K4M 760)                                    | Gasolina         | FWD | 1598 | 83  | 113 | 08.03-07.09 | * |
| 1.6 (K4M 761)                                    | Gasolina         | FWD | 1598 | 83  | 113 | 08.03-07.09 | * |
| 2.0 (F4R 770)                                    | Gasolina         | FWD | 1998 | 99  | 135 | 08.03-07.09 | * |
| 2.0 (F4R 771)                                    | Gasolina         | FWD | 1998 | 99  | 135 | 08.03-07.09 | * |
| 2.0 (KM0S, KM2N, KM23) (F4R 770)                 | Gasolina         | FWD | 1998 | 102   | 138 | 12.06-01.11 | * |
| 2.0 (KM0S, KM2N, KM23) (F4R 771)                 | Gasolina         | FWD | 1998 | 102   | 138 | 12.06-01.11 | * |
| 1.6 LPG 16V (K4M 760)                            | Gasol./Gas (LPG) | FWD | 1598 | 82  | 112 | 01.06-08.09 | * |
| 1.6 16V Hi-Flex (K4M 856)                        | Gasol./Etanol    | FWD | 1598 | 77  | 105 | 02.08-07.09 | * |
| 1.6 Flex   | Gasol./Etanol    | FWD | 1598 | 81  | 110 | 12.06-08.12 | * |
| 1.5 dCi (KM0F, KM0T, KM2B) (K9K 722)             | Diesel           | FWD | 1461 | 60  | 82  | 08.03-05.06 | * |
| 1.5 dCi (KM1F) (K9K 724)                         | Diesel           | FWD | 1461 | 63  | 86  | 05.05-07.09 | * |
| 1.5 dCi (KM02, KM13) (K9K 728)                   | Diesel           | FWD | 1461 | 74  | 101 | 02.04-03.06 | * |
| 1.5 dCi (KM02, KM13) (K9K 729)                   | Diesel           | FWD | 1461 | 74  | 101 | 02.04-03.06 | * |
| 1.5 dCi (KM16) (K9K 734)                         | Diesel           | FWD | 1461 | 76  | 103 | 01.07-07.09 | * |
| 1.5 dCi (KM16, KM1E) (K9K 732)                   | Diesel           | FWD | 1461 | 78  | 106 | 05.05-06.08 | * |
| 1.9 dCi (F9Q 808)                                | Diesel           | FWD | 1870 | 66  | 90  | 04.04-12.05 | * |
| 1.9 dCi (F9Q 808)                                | Diesel           | FWD | 1870 | 68  | 92  | 03.04-02.07 | * |
| 1.9 dCi (F9Q 804)                                | Diesel           | FWD | 1870 | 81  | 110 | 05.05-07.09 | * |
| 1.9 dCi (F9Q 818)                                | Diesel           | FWD | 1870 | 81  | 110 | 05.05-07.09 | * |
| 1.9 dCi (KM14) (F9Q 818)                         | Diesel           | FWD | 1870 | 85  | 115 | 05.05-07.09 | * |

# LISTA DE APLICACIONES - BUYERS GUIDE

|  |                  |     |      |     |     |  |   |
|--|------------------|-----|------|-----|-----|--|---|
| 1.9 dCi (KMRG, KM1G, KM0G, KM2C) (F9Q 800)       | Diesel           | FWD | 1870 | 88  | 120 | 08.03-07.09  | * |
| 1.9 dCi (KM14) (F9Q 803)                         | Diesel           | FWD | 1870 | 96  | 131 | 05.05-07.09  | * |
| 1.9 dCi (KM14) (F9Q 804)                         | Diesel           | FWD | 1870 | 96  | 131 | 05.05-07.09  | * |
| 2.0 dCi (M9R 700)                                | Diesel           | FWD | 1995 | 110 | 150 | 09.05-07.09  | * |
| 2.0 dCi (M9R 722)                                | Diesel           | FWD | 1995 | 110 | 150 | 09.05-07.09  | * |
| <b>MEGANE II (BM0/1_, CM0/1_) 07.01-10.12</b>    |                  |     |      |     |     | <b>[CAMBIADO]:Fastback (Compact car-C Segment)</b>     |   |
| 1.4 16V (K4J 732)                                | Gasolina         | FWD | 1390 | 60  | 82  | 10.03-02.08  | * |
| 1.4 16V (BM0B, CM0B) (K4J 730)                   | Gasolina         | FWD | 1390 | 72  | 98  | 11.02-02.08  | * |
| 1.4 16V (BM0B, CM0B) (K4J 740)                   | Gasolina         | FWD | 1390 | 72  | 98  | 11.02-02.08  | * |
| 1.6 (K4M 788)                                    | Gasolina         | FWD | 1598 | 77  | 105 | 06.05-02.08  | * |
| 1.6 16V (K4M 760)                                | Gasolina         | FWD | 1598 | 82  | 112 | 01.06-06.08  | * |
| 1.6 16V (K4M 812)                                | Gasolina         | FWD | 1598 | 82  | 112 | 01.06-06.08  | * |
| 1.6 16V (K4M 813)                                | Gasolina         | FWD | 1598 | 82  | 112 | 01.06-06.08  | * |
| 1.6 16V (BM0C, CM0C) (K4M 760)                   | Gasolina         | FWD | 1598 | 83  | 113 | 11.02-02.08  | * |
| 2.0 16V (BM0U, CM0U) (F4R 770)                   | Gasolina         | FWD | 1998 | 99  | 135 | 11.02-02.08  | * |
| 2.0 16V Turbo (F4R 776)                          | Gasolina         | FWD | 1998 | 120 | 163 | 05.04-02.08  | * |
| 2.0 Renault Sport (F4R 774)                      | Gasolina         | FWD | 1998 | 165 | 224 | 05.04-10.09  | * |
| 2.0 Renault Sport (F4RT 774)                     | Gasolina         | FWD | 1998 | 165 | 224 | 05.04-10.09  | * |
| 2.0 (F4R 774)                                    | Gasolina         | FWD | 1998 | 169 | 230 | 08.06-02.08  | * |
| 1.6 BiFuel (K4M 788)                             | Gasol./Gas (LPG) | FWD | 1598 | 77  | 105 | 06.05-02.08  | * |
| 1.6 Flex-Fuel (K4M 788)                          | Gasol./Etanol    | FWD | 1598 | 77  | 105 | 01.07-02.08  | * |
| 1.5 dCi (BM0F, BM0T, BM2B, CM0F, CM0T) (K9K 722) | Diesel           | FWD | 1461 | 60  | 82  | 09.02-02.08  | * |
| 1.5 dCi (BM1F, CM1F) (K9K 724)                   | Diesel           | FWD | 1461 | 63  | 86  | 05.05-02.08  | * |
| 1.5 dCi (BM02, BM13, BM2A, CM02, CM13) (K9K 728) | Diesel           | FWD | 1461 | 74  | 101 | 10.03-02.08  | * |
| 1.5 dCi (BM02, BM13, BM2A, CM02, CM13) (K9K 729) | Diesel           | FWD | 1461 | 74  | 101 | 10.03-02.08  | * |
| 1.5 dCi (BM16, CM16) (K9K 734)                   | Diesel           | FWD | 1461 | 76  | 103 | 01.07-03.09  | * |
| 1.5 dCi (BM1E, CM1E) (K9K 732)                   | Diesel           | FWD | 1461 | 78  | 106 | 05.05-06.08  | * |
| 1.9 dCi (F9Q 808)                                | Diesel           | FWD | 1870 | 66  | 90  | 11.02-12.05  | * |
| 1.9 dCi (F9Q 808)                                | Diesel           | FWD | 1870 | 68  | 92  | 03.04-08.06  | * |
| 1.9 dCi (F9Q 804)                                | Diesel           | FWD | 1870 | 81  | 110 | 05.05-02.08  | * |
| 1.9 dCi (F9Q 818)                                | Diesel           | FWD | 1870 | 81  | 110 | 05.05-02.08  | * |
| 1.9 dCi (F9Q 804)                                | Diesel           | FWD | 1870 | 85  | 115 | 11.02-02.08  | * |
| 1.9 dCi (F9Q 816)                                | Diesel           | FWD | 1870 | 85  | 115 | 11.02-02.08  | * |
| 1.9 dCi (F9Q 818)                                | Diesel           | FWD | 1870 | 85  | 115 | 11.02-02.08  | * |
| 1.9 dCi (BM0G, CM0G) (F9Q 800)                   | Diesel           | FWD | 1870 | 88  | 120 | 11.02-02.08  | * |
| 1.9 dCi (F9Q 803)                                | Diesel           | FWD | 1870 | 96  | 131 | 05.05-12.09  | * |
| 1.9 dCi (F9Q 804)                                | Diesel           | FWD | 1870 | 96  | 131 | 05.05-12.09  | * |
| 1.9 dCi (F9Q 816)                                | Diesel           | FWD | 1870 | 96  | 131 | 05.05-12.09  | * |
| 1.9 dCi (F9Q 818)                                | Diesel           | FWD | 1870 | 96  | 131 | 05.05-12.09  | * |
| 2.0 dCi (BM1K, CM1K) (M9R 700)                   | Diesel           | FWD | 1995 | 110 | 150 | 09.05-02.08  | * |
| 2.0 dCi (BM1K, CM1K) (M9R 722)                   | Diesel           | FWD | 1995 | 110 | 150 | 09.05-02.08  | * |
| 2.0 dCi (M9R 724)                                | Diesel           | FWD | 1995 | 127 | 173 | 01.07-02.08  | * |
| <b>MEGANE II (KM_) 08.03-07.09</b>               |                  |     |      |     |     | <b>[CAMBIADO]:Furgón/Break (Compact car-C Segment)</b> |   |
| 1.6 (KM0C) (K4M 780)                             | Gasolina         | FWD | 1598 | 82  | 111 | 10.03-01.08  | * |
| 1.5 dCi (KM0F) (K9K 722)                         | Diesel           | FWD | 1461 | 60  | 82  | 08.03-07.09  | * |
| 1.5 dCi (KM1F) (K9K 724)                         | Diesel           | FWD | 1461 | 63  | 86  | 05.05-07.09  | * |
| 1.5 dCi (KM02) (K9K 728)                         | Diesel           | FWD | 1461 | 74  | 101 | 08.03-07.09  | * |
| 1.5 dCi (KM1E) (K9K 732)                         | Diesel           | FWD | 1461 | 78  | 106 | 08.03-07.09  | * |

# LISTA DE APLICACIONES - BUYERS GUIDE

|                                       |          |     |      |                                       |     |             |   |
|---------------------------------------|----------|-----|------|---------------------------------------|-----|-------------|---|
| 1.9 dCi (KM14) (F9Q E 804)            | Diesel   | FWD | 1870 | 96                                    | 131 | 02.06-10.06 | * |
| <b>MEGANE II (EM0/1_) 09.03-03.10</b> |          |     |      | <b>Cabrio (Compact car-C Segment)</b> |     |             |   |
| 1.6 (K4M 788)                         | Gasolina | FWD | 1598 | 77                                    | 105 | 06.05-03.09 | * |
| 1.6 16V (K4M 760)                     | Gasolina | FWD | 1598 | 82                                    | 112 | 01.06-06.08 | * |
| 1.6 16V (K4M 761)                     | Gasolina | FWD | 1598 | 82                                    | 112 | 01.06-06.08 | * |
| 1.6 16V (K4M 812)                     | Gasolina | FWD | 1598 | 82                                    | 112 | 01.06-06.08 | * |
| 1.6 16V (K4M 813)                     | Gasolina | FWD | 1598 | 82                                    | 112 | 01.06-06.08 | * |
| 1.6 (K4M 760)                         | Gasolina | FWD | 1598 | 83                                    | 113 | 09.03-03.09 | * |
| 1.6 (K4M 761)                         | Gasolina | FWD | 1598 | 83                                    | 113 | 09.03-03.09 | * |
| 2.0 (F4R 770)                         | Gasolina | FWD | 1998 | 99                                    | 135 | 09.03-12.09 | * |
| 2.0 (F4R 771)                         | Gasolina | FWD | 1998 | 99                                    | 135 | 09.03-12.09 | * |
| 2.0 (EM0S) (F4R 770)                  | Gasolina | FWD | 1998 | 102                                   | 139 | 09.03-02.07 | * |
| 2.0 (EM0S) (F4R 771)                  | Gasolina | FWD | 1998 | 102                                   | 139 | 09.03-02.07 | * |
| 2.0 16V Turbo (F4R 776)               | Gasolina | FWD | 1998 | 120                                   | 163 | 05.04-03.09 | * |
| 1.5 dCi (EM16) (K9K 734)              | Diesel   | FWD | 1461 | 76                                    | 103 | 01.07-06.09 | * |
| 1.5 dCi (EM1E) (K9K 732)              | Diesel   | FWD | 1461 | 78                                    | 106 | 03.06-01.09 | * |
| 1.9 dCi (F9Q 804)                     | Diesel   | FWD | 1870 | 81                                    | 110 | 05.05-03.09 | * |
| 1.9 dCi (F9Q 816)                     | Diesel   | FWD | 1870 | 81                                    | 110 | 05.05-03.09 | * |
| 1.9 dCi (F9Q 818)                     | Diesel   | FWD | 1870 | 81                                    | 110 | 05.05-03.09 | * |
| 1.9 dCi (F9Q 804)                     | Diesel   | FWD | 1870 | 85                                    | 115 | 09.03-03.09 | * |
| 1.9 dCi (F9Q 816)                     | Diesel   | FWD | 1870 | 85                                    | 115 | 09.03-03.09 | * |
| 1.9 dCi (F9Q 818)                     | Diesel   | FWD | 1870 | 85                                    | 115 | 09.03-03.09 | * |
| 1.9 dCi (F9Q 800)                     | Diesel   | FWD | 1870 | 88                                    | 120 | 09.03-03.09 | * |
| 1.9 dCi (F9Q 803)                     | Diesel   | FWD | 1870 | 96                                    | 131 | 05.05-02.07 | * |
| 1.9 dCi (F9Q 804)                     | Diesel   | FWD | 1870 | 96                                    | 131 | 05.05-02.07 | * |
| 2.0 dCi (M9R 700)                     | Diesel   | FWD | 1995 | 110                                   | 150 | 09.05-03.09 | * |
| 2.0 dCi (M9R 722)                     | Diesel   | FWD | 1995 | 110                                   | 150 | 09.05-03.09 | * |
| <b>MEGANE II (LM0/1_) 08.03-</b>      |          |     |      | <b>Sedán (Compact car-C Segment)</b>  |     |             |   |
| 1.4 (K4J 732)                         | Gasolina | FWD | 1390 | 60                                    | 82  | 09.03-      | * |
| 1.4 (K4J 730)                         | Gasolina | FWD | 1390 | 72                                    | 98  | 09.03-      | * |
| 1.4 (K4J 740)                         | Gasolina | FWD | 1390 | 72                                    | 98  | 09.03-      | * |
| 1.6                                   | Gasolina | FWD | 1598 | 75                                    | 102 | 09.03-      | * |
| 1.6 (K4M 762)                         | Gasolina | FWD | 1598 | 77                                    | 105 | 05.05-      | * |
| 1.6 (K4M 760)                         | Gasolina | FWD | 1598 | 81                                    | 110 | 09.03-11.08 | * |
| 1.6 (K4M 761)                         | Gasolina | FWD | 1598 | 81                                    | 110 | 09.03-11.08 | * |
| 1.6 16V (LM1R, LM0C) (K4M 760)        | Gasolina | FWD | 1598 | 82                                    | 112 | 01.06-      | * |
| 1.6 16V (LM1R, LM0C) (K4M 761)        | Gasolina | FWD | 1598 | 82                                    | 112 | 01.06-      | * |
| 1.6 16V (LM1R, LM0C) (K4M 812)        | Gasolina | FWD | 1598 | 82                                    | 112 | 01.06-      | * |
| 1.6 16V (LM1R, LM0C) (K4M 813)        | Gasolina | FWD | 1598 | 82                                    | 112 | 01.06-      | * |
| 1.6 (K4M 760)                         | Gasolina | FWD | 1598 | 83                                    | 113 | 09.03-      | * |
| 1.6 (K4M 761)                         | Gasolina | FWD | 1598 | 83                                    | 113 | 09.03-      | * |
| 2.0 (F4R 770)                         | Gasolina | FWD | 1998 | 99                                    | 135 | 09.03-      | * |
| 2.0 (F4R 771)                         | Gasolina | FWD | 1998 | 99                                    | 135 | 09.03-      | * |
| 2.0 (F4R 770)                         | Gasolina | FWD | 1998 | 101                                   | 138 | 04.06-11.10 | * |
| 1.5 dCi (LM0F, LM0T, LM2B) (K9K 722)  | Diesel   | FWD | 1461 | 60                                    | 82  | 08.03-12.10 | * |
| 1.5 dCi (LM1F) (K9K 724)              | Diesel   | FWD | 1461 | 63                                    | 86  | 05.05-12.10 | * |
| 1.5 dCi (LM02, LM13, LM2A) (K9K 728)  | Diesel   | FWD | 1461 | 74                                    | 101 | 02.04-12.10 | * |
| 1.5 dCi (LM02, LM13, LM2A) (K9K 729)  | Diesel   | FWD | 1461 | 74                                    | 101 | 02.04-12.10 | * |
| 1.5 dCi (LM16) (K9K 734)              | Diesel   | FWD | 1461 | 76                                    | 103 | 10.03-12.10 | * |
| 1.5 dCi (LM1E) (K9K 732)              | Diesel   | FWD | 1461 | 78                                    | 106 | 05.05-12.10 | * |
| 1.9 dCi (F9Q 808)                     | Diesel   | FWD | 1870 | 66                                    | 90  | 09.03-12.05 | * |

# LISTA DE APLICACIONES - BUYERS GUIDE

|   |  |                  |     |      |     |     |  |   |  |
|---|--|------------------|-----|------|-----|-----|--|---|--|
| 1.9 dCi (F9Q 808)                                   |  | Diesel           | FWD | 1870 | 68  | 92  | 03.04-   | * |  |
| 1.9 dCi (LM14, LM1D) (F9Q 803)                      |  | Diesel           | FWD | 1870 | 81  | 110 | 05.05-   | * |  |
| 1.9 dCi (LM14, LM1D) (F9Q 804)                      |  | Diesel           | FWD | 1870 | 81  | 110 | 05.05-   | * |  |
| 1.9 dCi (LM14, LM1D) (F9Q 816)                      |  | Diesel           | FWD | 1870 | 81  | 110 | 05.05-   | * |  |
| 1.9 dCi (LM14, LM1D) (F9Q 818)                      |  | Diesel           | FWD | 1870 | 81  | 110 | 05.05-   | * |  |
| 1.9 dCi (LM0G, LM1G, LM2C) (F9Q 800)                |  | Diesel           | FWD | 1870 | 88  | 120 | 09.03-   | * |  |
| 1.9 dCi (F9Q 803)                                   |  | Diesel           | FWD | 1870 | 96  | 131 | 05.05-   | * |  |
| 1.9 dCi (F9Q 804)                                   |  | Diesel           | FWD | 1870 | 96  | 131 | 05.05-   | * |  |
| 2.0 dCi (M9R 700)                                   |  | Diesel           | FWD | 1995 | 110 | 150 | 09.05-   | * |  |
| 2.0 dCi (M9R 722)                                   |  | Diesel           | FWD | 1995 | 110 | 150 | 09.05-   | * |  |
| <b>MEGANE II Hatchback Van (KM0/2_) 08.03-07.09</b> |  |                  |     |      |     |     | <b>Furgón/hatchback (Compact car-C Segment)</b>    |   |  |
| 1.5 dCi (K9K 722)                                   |  | Diesel           | FWD | 1461 | 60  | 82  | 08.03-02.08  | * |  |
| 1.5 dCi (K9K 724)                                   |  | Diesel           | FWD | 1461 | 63  | 86  | 04.05-02.08  | * |  |
| 1.5 dCi (K9K 728)                                   |  | Diesel           | FWD | 1461 | 74  | 101 | 08.03-02.08  | * |  |
| 1.5 dCi (K9K 734)                                   |  | Diesel           | FWD | 1461 | 76  | 103 | 01.07-03.09  | * |  |
| 1.5 dCi (K9K 732)                                   |  | Diesel           | FWD | 1461 | 78  | 106 | 05.05-02.08  | * |  |
| <b>MEGANE III (BZ0/1_, B3_) 11.08-</b>              |  |                  |     |      |     |     | <b>[CAMBIADO]:Fastback (Compact car-C Segment)</b> |   |  |
| 1.2 TCe (BZ16, BZ28) (H5F 404)                      |  | Gasolina         | FWD | 1197 | 97  | 132 | 01.13-01.16  | * |  |
| 1.2 TCe (BZ16, BZ28) (H5F 405)                      |  | Gasolina         | FWD | 1197 | 97  | 132 | 01.13-01.16  | * |  |
| 1.2 TCe (BZ16, BZ28) (H5F 412)                      |  | Gasolina         | FWD | 1197 | 97  | 132 | 01.13-01.16  | * |  |
| 1.2 TCe (BZ2B, BZ11) (H5F 400)                      |  | Gasolina         | FWD | 1198 | 85  | 116 | 03.12-08.15  | * |  |
| 1.2 TCe (BZ2B, BZ11) (H5F 408)                      |  | Gasolina         | FWD | 1198 | 85  | 116 | 03.12-08.15  | * |  |
| 1.4 TCe (BZ0F, BZ1V) (H4J 700)                      |  | Gasolina         | FWD | 1397 | 96  | 131 | 04.09-08.15  | * |  |
| 1.6 16V (BZ0H) (K4M 848)                            |  | Gasolina         | FWD | 1598 | 74  | 101 | 11.08-08.15  | * |  |
| 1.6 16V (BZ0H, BZ1R) (K4M 848)                      |  | Gasolina         | FWD | 1598 | 78  | 106 | 01.10-08.15  | * |  |
| 1.6 16V (BZ1B, BZ1H) (K4M 858)                      |  | Gasolina         | FWD | 1598 | 81  | 110 | 11.08-03.17  | * |  |
| 1.6 16V (K4M 858)                                   |  | Gasolina         | FWD | 1598 | 82  | 111 | 11.08-01.16  | * |  |
| 1.6 16V (K4M 866)                                   |  | Gasolina         | FWD | 1598 | 82  | 111 | 11.08-01.16  | * |  |
| 1.6 16V (K4M 848)                                   |  | Gasolina         | FWD | 1598 | 85  | 116 | 01.13-08.15  | * |  |
| 1.6 16V (K4M 858)                                   |  | Gasolina         | FWD | 1598 | 85  | 116 | 01.13-08.15  | * |  |
| 1.6 (B332) (H4M 729)                                |  | Gasolina         | FWD | 1598 | 86  | 117 | 01.14-01.16  | * |  |
| 1.6 TCe   |  | Gasolina         | FWD | 1598 | 96  | 131 | 01.11-   | * |  |
| 2.0 CVT (BZ0G, BZ1P) (M4R 711)                      |  | Gasolina         | FWD | 1997 | 103 | 140 | 02.09-08.15  | * |  |
| 2.0 CVT (BZ0G, BZ1P) (M4R 713)                      |  | Gasolina         | FWD | 1997 | 103 | 140 | 02.09-08.15  | * |  |
| 2.0 (M4R 710)                                       |  | Gasolina         | FWD | 1997 | 105 | 143 | 01.11-08.15  | * |  |
| 2.0 (M4R 714)                                       |  | Gasolina         | FWD | 1997 | 105 | 143 | 01.11-08.15  | * |  |
| 2.0 TCe (BZ0K) (F4R 870)                            |  | Gasolina         | FWD | 1998 | 132 | 180 | 11.08-08.15  | * |  |
| 2.0 TCe (F4R 872)                                   |  | Gasolina         | FWD | 1998 | 140 | 190 | 06.12-08.15  | * |  |
| 2.0 TCe 220 (F4R 874)                               |  | Gasolina         | FWD | 1998 | 162 | 220 | 11.13-01.16  | * |  |
| 1.6 16V BiFuel (BZ1U, BZ0U) (K4M 858)               |  | Gasol./Gas (LPG) | FWD | 1598 | 81  | 110 | 05.09-08.15  | * |  |
| 1.6 16V Hi-Flex (BZ03) (K4M 858)                    |  | Gasol./Etanol    | FWD | 1598 | 81  | 110 | 11.08-08.15  | * |  |
| 1.6 16V Hi-Flex (BZ03) (K4M 866)                    |  | Gasol./Etanol    | FWD | 1598 | 81  | 110 | 11.08-08.15  | * |  |
| 1.5 dCi (K9K 830)                                   |  | Diesel           | FWD | 1461 | 63  | 86  | 11.08-08.15  | * |  |
| 1.5 dCi (BZ0C) (K9K 834)                            |  | Diesel           | FWD | 1461 | 66  | 90  | 11.08-08.15  | * |  |
| 1.5 dCi (BZ1G, BZ1W, BZ0R) (K9K 846)                |  | Diesel           | FWD | 1461 | 70  | 95  | 11.13-08.15  | * |  |
| 1.5 dCi (K9K 832)                                   |  | Diesel           | FWD | 1461 | 78  | 106 | 12.08-01.16  | * |  |
| 1.5 dCi (BZ09, BZ0D, BZ1W, BZ29, BZ14) (K9K 836)    |  | Diesel           | FWD | 1461 | 81  | 110 | 02.09-12.15  | * |  |
| 1.5 dCi (BZ09, BZ0D, BZ1W, BZ29, BZ14) (K9K 836)    |  | Diesel           | FWD | 1461 | 81  | 110 | 02.09-12.15  | * |  |

## LISTA DE APLICACIONES - BUYERS GUIDE

|  |                  |     |      |     |     |             |   |
|--|------------------|-----|------|-----|-----|-------------|---|
| 1.5 dCi (BZ09, BZ0D, BZ1W, BZ29, BZ14) (K9K 837)       | Diesel           | FWD | 1461 | 81  | 110 | 02.09-12.15 | *   |
| 1.5 dCi (BZ09, BZ0D, BZ1W, BZ29, BZ14) (K9K 846)       | Diesel           | FWD | 1461 | 81  | 110 | 02.09-12.15 | *   |
| 1.5 DCI (BZ29)   | Diesel           | FWD | 1461 | 81  | 110 | 02.09-08.15 | *   |
| 1.5 dCi  | Diesel           | RWD | 1461 | 96  | 131 | 11.08-      | *   |
| 1.6 dCi (BZ00, BZ12, BZ13) (R9M 402)                   | Diesel           | FWD | 1598 | 96  | 130 | 04.11-08.15 | *   |
| 1.6 dCi (BZ00, BZ12, BZ13) (R9M 404)                   | Diesel           | FWD | 1598 | 96  | 130 | 04.11-08.15 | *   |
| 1.9 dCi (BZ0N, BZ0J) (F9Q 870)                         | Diesel           | FWD | 1870 | 96  | 131 | 11.08-01.16 | *   |
| 1.9 dCi (BZ0N, BZ0J) (F9Q 872)                         | Diesel           | FWD | 1870 | 96  | 131 | 11.08-01.16 | *   |
| 2.0 dCi (BZ0Y) (M9R 615)                               | Diesel           | FWD | 1995 | 110 | 150 | 10.10-08.15 | *   |
| 2.0 dCi (BZ0L) (M9R 610)                               | Diesel           | FWD | 1995 | 118 | 160 | 04.09-08.15 | *   |
| 2.0 dCi (M9R 610)                                      | Diesel           | FWD | 1995 | 120 | 163 | 07.12-08.15 | *   |
| <b>MEGANE III (DZ0/1_) 11.08-</b>                      |                  |     |      |     |     |             | <b>Coupé (Compact car-C Segment)</b>            |
| 1.2 TCe (DZ16, DZ28) (H5F 404)                         | Gasolina         | FWD | 1197 | 97  | 132 | 01.13-08.15 | *   |
| 1.2 TCe (DZ16, DZ28) (H5F 405)                         | Gasolina         | FWD | 1197 | 97  | 132 | 01.13-08.15 | *   |
| 1.2 TCe (DZ16, DZ28) (H5F 412)                         | Gasolina         | FWD | 1197 | 97  | 132 | 01.13-08.15 | *   |
| 1.2 TCe (DZ2B, DZ11) (H5F 400)                         | Gasolina         | FWD | 1198 | 85  | 116 | 03.12-08.15 | *   |
| 1.2 TCe (DZ2B, DZ11) (H5F 408)                         | Gasolina         | FWD | 1198 | 85  | 116 | 03.12-08.15 | *   |
| 1.4 TCe (DZ0F, DZ1V) (H4J 700)                         | Gasolina         | FWD | 1397 | 96  | 131 | 04.09-08.15 | *   |
| 1.6 16V (DZ0H) (K4M 848)                               | Gasolina         | FWD | 1598 | 74  | 101 | 11.08-08.15 | *   |
| 1.6 16V (DZ0U, DZ1B, DZ1H) (K4M 858)                   | Gasolina         | FWD | 1598 | 81  | 110 | 11.08-08.15 | *   |
| 2.0 CVT (DZ0G, DZ1E) (M4R 711)                         | Gasolina         | FWD | 1997 | 103 | 140 | 05.09-08.15 | *   |
| 2.0 TCe (DZ0K) (F4R 870)                               | Gasolina         | FWD | 1998 | 132 | 180 | 11.08-08.15 | *   |
| 2.0 TCe (F4R 872)                                      | Gasolina         | FWD | 1998 | 140 | 190 | 06.12-08.15 | *   |
| 2.0 TCe 220 (F4R 874)                                  | Gasolina         | FWD | 1998 | 162 | 220 | 11.13-08.15 | *   |
| 2.0 TCe (DZ1N) (F4R 874)                               | Gasolina         | FWD | 1998 | 184 | 250 | 05.09-08.15 | *   |
| 2.0 R.S. (F4R 874)                                     | Gasolina         | FWD | 1998 | 195 | 265 | 11.08-09.16 | *   |
| 2.0 R.S. (F4R 874)                                     | Gasolina         | FWD | 1998 | 201 | 273 | 07.14-09.16 | *   |
| 1.6 16V Bifuel (DZ03, DZ1Y) (K4M 866)                  | Gasol./Gas (LPG) | FWD | 1598 | 81  | 110 | 11.08-08.15 | *   |
| 1.5 dCi (DZ0A) (K9K 830)                               | Diesel           | FWD | 1461 | 63  | 86  | 11.08-08.15 | *   |
| 1.5 dCi (DZ0C, DZ1A) (K9K 834)                         | Diesel           | FWD | 1461 | 66  | 90  | 11.08-08.15 | *   |
| 1.5 dCi (K9K 846)                                      | Diesel           | FWD | 1461 | 70  | 95  | 07.14-08.15 | *   |
| 1.5 dCi (DZ0B) (K9K 832)                               | Diesel           | FWD | 1461 | 78  | 106 | 02.09-08.15 | *   |
| 1.5 dCi (DZ09, DZ0D, DZ1F, DZ1G, DZ14, DZ29) (K9K 636) | Diesel           | FWD | 1461 | 81  | 110 | 02.09-08.15 | *   |
| 1.5 dCi (DZ09, DZ0D, DZ1F, DZ1G, DZ14, DZ29) (K9K 836) | Diesel           | FWD | 1461 | 81  | 110 | 02.09-08.15 | *   |
| 1.5 dCi (DZ09, DZ0D, DZ1F, DZ1G, DZ14, DZ29) (K9K 837) | Diesel           | FWD | 1461 | 81  | 110 | 02.09-08.15 | *   |
| 1.5 dCi (DZ09, DZ0D, DZ1F, DZ1G, DZ14, DZ29) (K9K 846) | Diesel           | FWD | 1461 | 81  | 110 | 02.09-08.15 | *   |
| 1.6 dCi (DZ00, DZ12, DZ2A, DZ13) (R9M 402)             | Diesel           | FWD | 1598 | 96  | 130 | 04.11-08.15 | *   |
| 1.9 dCi (DZ0N, DZ0J, DZ1J, DZ1K) (F9Q 870)             | Diesel           | FWD | 1870 | 96  | 131 | 11.08-08.15 | *   |
| 1.9 dCi (DZ0N, DZ0J, DZ1J, DZ1K) (F9Q 872)             | Diesel           | FWD | 1870 | 96  | 131 | 11.08-08.15 | *   |
| 2.0 dCi (DZ0Y) (M9R 615)                               | Diesel           | FWD | 1995 | 110 | 150 | 04.09-08.15 | *   |
| 2.0 dCi (DZ0L) (M9R 610)                               | Diesel           | FWD | 1995 | 118 | 160 | 04.09-08.15 | *   |
| 2.0 dCi (M9R 610)                                      | Diesel           | FWD | 1995 | 120 | 163 | 07.12-08.15 | *   |
| <b>MEGANE III (B95) 06.09-</b>                         |                  |     |      |     |     |             | <b>Sedán (Compact car-C Segment)</b>            |
| 1.9 dCi  | Diesel           | RWD | 1870 | 96  | 130 | 06.09-      | *   |
| <b>MEGANE III Grandtour (KZ0/1) 11.08-</b>             |                  |     |      |     |     |             | <b>[CAMBIADO]:Break (Compact car-C Segment)</b> |
| 1.2 TCe (KZ16, KZ28) (H5F 404)                         | Gasolina         | FWD | 1197 | 97  | 132 | 01.13-01.16 | *   |
| 1.2 TCe (KZ16, KZ28) (H5F 405)                         | Gasolina         | FWD | 1197 | 97  | 132 | 01.13-01.16 | *   |

# LISTA DE APLICACIONES - BUYERS GUIDE

|  |  |                  |     |      |     |     |   |   |
|--|--|------------------|-----|------|-----|-----|---|---|
| 1.2 TCe (KZ16, KZ28) (H5F 412)   |  | Gasolina         | FWD | 1197 | 97  | 132 | 01.13-01.16                                     | * |
| 1.2 TCe (KZ2B, KZ11) (H5F 400)   |  | Gasolina         | FWD | 1198 | 85  | 116 | 03.12-08.15                                     | * |
| 1.2 TCe (KZ2B, KZ11) (H5F 408)   |  | Gasolina         | FWD | 1198 | 85  | 116 | 03.12-08.15                                     | * |
| 1.4 TCe (KZ0F, KZ1V) (H4J 700)   |  | Gasolina         | FWD | 1397 | 96  | 130 | 05.09-08.15                                     | * |
| 1.6 16V (KZ0H) (K4M 848)   |  | Gasolina         | FWD | 1598 | 74  | 101 | 05.09-08.15                                     | * |
| 1.6 16V (KZ0U, KZ1B, KZ1U) (K4M 858)                                   |  | Gasolina         | FWD | 1598 | 81  | 110 | 05.09-08.15                                     | * |
| 1.6 16V (KZ0U, KZ1B, KZ1U) (K4M 866)                                   |  | Gasolina         | FWD | 1598 | 81  | 110 | 05.09-08.15                                     | * |
| 2.0 CVT (KZ0G, KZ1P) (M4R 711)   |  | Gasolina         | FWD | 1997 | 103 | 140 | 05.09-08.15                                     | * |
| 2.0 CVT (KZ0G, KZ1P) (M4R 713)   |  | Gasolina         | FWD | 1997 | 103 | 140 | 05.09-08.15                                     | * |
| 2.0 TCe (KZ0K, KZ1T) (F4R 870)   |  | Gasolina         | FWD | 1998 | 132 | 180 | 11.08-08.15                                     | * |
| 2.0 TCe (KZ0K, KZ1T) (F4R 872)   |  | Gasolina         | FWD | 1998 | 132 | 180 | 11.08-08.15                                     | * |
| 2.0 TCe (F4R 872)  |  | Gasolina         | FWD | 1998 | 140 | 190 | 09.12-08.15                                     | * |
| 2.0 TCe (F4R 874)  |  | Gasolina         | FWD | 1998 | 162 | 220 | 09.12-01.16                                     | * |
| 1.6 BiFuel (KZ03) (K4M 866)  |  | Gasol./Gas (LPG) | FWD | 1598 | 81  | 110 | 11.08-08.15                                     | * |
| 1.5 dCi (K9K 830)  |  | Diesel           | FWD | 1461 | 63  | 86  | 03.09-08.15                                     | * |
| 1.5 dCi (KZ0C, KZ1A) (K9K 834)   |  | Diesel           | FWD | 1461 | 66  | 90  | 05.09-08.15                                     | * |
| 1.5 dCi (KZ1G, KZ1W, KZ0R) (K9K 846)                                   |  | Diesel           | FWD | 1461 | 70  | 95  | 11.13-08.15                                     | * |
| 1.5 dCi (KZ1M, KZ1W, KZ0R) (K9K 832)                                   |  | Diesel           | FWD | 1461 | 78  | 106 | 02.09-08.15                                     | * |
| 1.5 dCi (KZ1M, KZ1W, KZ0R) (K9K 836)                                   |  | Diesel           | FWD | 1461 | 78  | 106 | 02.09-08.15                                     | * |
| 1.5 dCi (KZ1M, KZ1W, KZ0R) (K9K 846)                                   |  | Diesel           | FWD | 1461 | 78  | 106 | 02.09-08.15                                     | * |
| 1.5 dCi (KZ09, KZ0D, KZ1G, KZ29, KZ14, KZ1W, KZ10, KZ1F,...) (K9K 636) |  | Diesel           | FWD | 1461 | 81  | 110 | 02.09-08.15                                     | * |
| 1.5 dCi (KZ09, KZ0D, KZ1G, KZ29, KZ14, KZ1W, KZ10, KZ1F,...) (K9K 836) |  | Diesel           | FWD | 1461 | 81  | 110 | 02.09-08.15                                     | * |
| 1.5 dCi (KZ09, KZ0D, KZ1G, KZ29, KZ14, KZ1W, KZ10, KZ1F,...) (K9K 837) |  | Diesel           | FWD | 1461 | 81  | 110 | 02.09-08.15                                     | * |
| 1.5 dCi (KZ09, KZ0D, KZ1G, KZ29, KZ14, KZ1W, KZ10, KZ1F,...) (K9K 846) |  | Diesel           | FWD | 1461 | 81  | 110 | 02.09-08.15                                     | * |
| 1.6 dCi (KZ00, KZ12, KZ13) (R9M 402)                                   |  | Diesel           | FWD | 1598 | 96  | 130 | 04.11-08.15                                     | * |
| 1.6 dCi (KZ00, KZ12, KZ13) (R9M 404)                                   |  | Diesel           | FWD | 1598 | 96  | 130 | 04.11-08.15                                     | * |
| 1.6 dCi (KZ00, KZ12, KZ13) (R9M 414)                                   |  | Diesel           | FWD | 1598 | 96  | 130 | 04.11-08.15                                     | * |
| 1.9 dCi (KZ0J, KZ0N, KZ1S) (F9Q 870)                                   |  | Diesel           | FWD | 1870 | 96  | 131 | 05.09-08.15                                     | * |
| 1.9 dCi (KZ0J, KZ0N, KZ1S) (F9Q 872)                                   |  | Diesel           | FWD | 1870 | 96  | 131 | 05.09-08.15                                     | * |
| 2.0 dCi (KZ0Y) (M9R 615)   |  | Diesel           | FWD | 1995 | 110 | 150 | 10.10-08.15                                     | * |
| 2.0 dCi (KZ0L) (M9R 610)   |  | Diesel           | FWD | 1995 | 118 | 160 | 04.09-08.15                                     | * |
| 2.0 dCi (M9R 610)  |  | Diesel           | FWD | 1995 | 120 | 163 | 07.12-08.15                                     | * |
| <b>MEGANE III Hatchback Van (BZ_) 11.08-08.15</b>                      |  |                  |     |      |     |     | <b>Furgón/hatchback (Compact car-C Segment)</b> |   |
| 1.5 dCi (BZ0C, BZ1A) (K9K 834)   |  | Diesel           | FWD | 1461 | 66  | 90  | 11.08-08.15                                     | * |
| 1.5 dCi (BZ0D, BZ1G, BZ1F, BZ1M, BZ1W, BZ0R, BZ10) (K9K 836)           |  | Diesel           | FWD | 1461 | 81  | 110 | 02.09-08.15                                     | * |
| 1.5 dCi (BZ0D, BZ1G, BZ1F, BZ1M, BZ1W, BZ0R, BZ10) (K9K 846)           |  | Diesel           | FWD | 1461 | 81  | 110 | 02.09-08.15                                     | * |
| <b>MEGANE III CC (EZ0/1_) 06.10-</b>                                   |  |                  |     |      |     |     | <b>Cabrío (Compact car-C Segment)</b>           |   |
| 1.2 TCe (EZ16) (H5F 404)   |  | Gasolina         | FWD | 1197 | 97  | 132 | 01.13-08.15                                     | * |
| 1.2 TCe (H5F 400)  |  | Gasolina         | FWD | 1198 | 85  | 116 | 09.12-08.15                                     | * |
| 1.4 TCe (EZ0F, EZ1V) (H4J 700)   |  | Gasolina         | FWD | 1397 | 96  | 131 | 06.10-08.15                                     | * |
| 1.6 16V (EZ0U, EZ1U) (K4M 858)   |  | Gasolina         | FWD | 1598 | 81  | 110 | 06.10-08.15                                     | * |
| 2.0 CVT (EZ0G, EZ1E, EZ1P) (M4R 711)                                   |  | Gasolina         | FWD | 1997 | 103 | 140 | 06.10-08.15                                     | * |
| 2.0 CVT (EZ0G, EZ1E, EZ1P) (M4R 713)                                   |  | Gasolina         | FWD | 1997 | 103 | 140 | 06.10-08.15                                     | * |
| 2.0 TCe (EZ1T) (F4R 870)   |  | Gasolina         | FWD | 1998 | 132 | 180 | 06.10-08.15                                     | * |
| 2.0 TCe (EZ1T) (F4R 872)   |  | Gasolina         | FWD | 1998 | 132 | 180 | 06.10-08.15                                     | * |
| 1.6 16V Hi-Flex (K4M 866)  |  | Gasol./Etanol    | FWD | 1598 | 81  | 110 | 06.10-08.15                                     | * |
| 1.5 dCi (EZ0B, EZ07) (K9K 832)   |  | Diesel           | FWD | 1461 | 78  | 106 | 11.13-08.15                                     | * |

# LISTA DE APLICACIONES - BUYERS GUIDE

|   |  |                  |     |      |     |     |  |   |  |
|---|--|------------------|-----|------|-----|-----|--|---|--|
| 1.5 dCi (EZ09, EZ1G, EZ0D, EZ14) (K9K 837)      |  | Diesel           | FWD | 1461 | 81  | 110 | 06.10-08.15  | * |  |
| 1.6 dCi (EZ00) (R9M 402)                        |  | Diesel           | FWD | 1598 | 96  | 130 | 04.11-08.15  | * |  |
| 1.9 dCi (EZ0J, EZ1S) (F9Q 870)                  |  | Diesel           | FWD | 1870 | 96  | 131 | 06.10-08.15  | * |  |
| 2.0 dCi (EZ0L) (M9R 610)                        |  | Diesel           | FWD | 1995 | 118 | 160 | 06.10-08.15  | * |  |
| <b>MEGANE III Combi Van (KZ0/1) 01.09-08.15</b> |  |                  |     |      |     |     | <b>[CAMBIADO]:Furgón/Break<br/>(Compact car-C Segment)</b> |   |  |
| 1.5 dCi (K9K 830)                               |  | Diesel           | FWD | 1461 | 63  | 86  | 03.10-08.15  | * |  |
| 1.5 dCi (KZ1A) (K9K 834)                        |  | Diesel           | FWD | 1461 | 66  | 90  | 03.10-08.15  | * |  |
| 1.5 dCi (K9K 832)                               |  | Diesel           | FWD | 1461 | 78  | 106 | 03.10-08.15  | * |  |
| 1.5 dCi (K9K 836)                               |  | Diesel           | FWD | 1461 | 81  | 110 | 01.09-08.15  | * |  |
| 1.5 dCi (K9K 837)                               |  | Diesel           | FWD | 1461 | 81  | 110 | 01.09-08.15  | * |  |
| <b>MEGANE IV (B9A/M/N_) 11.15-</b>              |  |                  |     |      |     |     | <b>[CAMBIADO]:Fastback (Compact<br/>car-C Segment)</b>     |   |  |
| 1.0 TCe 115 (B9MD, B9MW)                        |  | Gasolina         | FWD | 999  | 84  | 114 | 10.20-   | * |  |
| 1.2 TCe 100 (B9MS) (H5F 408)                    |  | Gasolina         | FWD | 1197 | 74  | 101 | 11.15-   | * |  |
| 1.2 TCe 130 (B9MR) (H5F 408)                    |  | Gasolina         | FWD | 1197 | 97  | 130 | 11.15-   | * |  |
| 1.3 TCe 100 (B9N8) (H5H 470)                    |  | Gasolina         | FWD | 1332 | 75  | 102 | 08.18-   | * |  |
| 1.3 TCe 115 (B9N9) (H5H 450)                    |  | Gasolina         | FWD | 1332 | 85  | 116 | 01.18-   | * |  |
| 1.3 TCe 115 (B9N9) (H5H 470)                    |  | Gasolina         | FWD | 1332 | 85  | 116 | 01.18-   | * |  |
| 1.3 TCe 140 (B9NB) (H5H 450)                    |  | Gasolina         | FWD | 1332 | 103 | 140 | 01.18-   | * |  |
| 1.3 TCe 140 (B9NB) (H5H 470)                    |  | Gasolina         | FWD | 1332 | 103 | 140 | 01.18-   | * |  |
| 1.3 TCe 160 (B9NC)                              |  | Gasolina         | FWD | 1332 | 116 | 158 | 08.20-   | * |  |
| 1.3 TCe 160 (B9NC) (H5H 470)                    |  | Gasolina         | FWD | 1332 | 117 | 159 | 11.18-   | * |  |
| 1.3 TCe 160 (B9NC) (H5H 450)                    |  | Gasolina         | FWD | 1332 | 120 | 163 | 01.18-   | * |  |
| 1.3 TCe 160 (B9NC) (H5H 470)                    |  | Gasolina         | FWD | 1332 | 120 | 163 | 01.18-   | * |  |
| 1.6 16V (H4M 738)                               |  | Gasolina         | FWD | 1598 | 84  | 115 | 11.15-   | * |  |
| 1.6 16V (H4M 748)                               |  | Gasolina         | FWD | 1598 | 84  | 115 | 11.15-   | * |  |
| 1.6 16V (H4M 749)                               |  | Gasolina         | FWD | 1598 | 84  | 115 | 11.15-   | * |  |
| 1.6 16V (H4M 750)                               |  | Gasolina         | FWD | 1598 | 84  | 115 | 11.15-   | * |  |
| 1.6 16V (H4M 751)                               |  | Gasolina         | FWD | 1598 | 84  | 115 | 11.15-   | * |  |
| 1.6 TCe 165 (M5M 450)                           |  | Gasolina         | FWD | 1618 | 121 | 165 | 07.17-   | * |  |
| 1.6 TCe 205 (B9MV) (M5M 450)                    |  | Gasolina         | FWD | 1618 | 151 | 205 | 11.15-   | * |  |
| 1.8 RS TCe 280 (B9M6) (M5P 402)                 |  | Gasolina         | FWD | 1798 | 205 | 279 | 10.17-   | * |  |
| 1.8 RS TCe 280 (B9M6) (M5P 404)                 |  | Gasolina         | FWD | 1798 | 205 | 279 | 10.17-   | * |  |
| 1.8 RS 300 (B9M8) (M5P 404)                     |  | Gasolina         | FWD | 1798 | 221 | 301 | 09.18-   | * |  |
| 2.0 RS  |  | Gasolina         | FWD | 1998 | 184 | 250 | 04.16-   | * |  |
| 2.0 RS TCe 275                                  |  | Gasolina         | FWD | 1998 | 202 | 275 | 04.16-   | * |  |
| 1.6 E-TECH 160 (B9NH)                           |  | Gasol./el<br>éc. | FWD | 1598 | 69  | 94  | 07.21-   | * |  |
| 1.6 E-TECH 160 (B9NH)                           |  | Gasol./el<br>éc. | FWD | 1598 | 118 | 160 | 07.21-   | * |  |
| 1.5 dCi 90 (B9A1) (K9K 656)                     |  | Diesel           | FWD | 1461 | 66  | 90  | 11.15-   | * |  |
| 1.5 Blue dCi 95 (B9A2, B9A6) (K9K 872)          |  | Diesel           | FWD | 1461 | 70  | 95  | 08.18-   | * |  |
| 1.5 dCi 110 (B9A3) (K9K 646)                    |  | Diesel           | FWD | 1461 | 81  | 110 | 11.15-   | * |  |
| 1.5 dCi 110 (B9A3) (K9K 648)                    |  | Diesel           | FWD | 1461 | 81  | 110 | 11.15-   | * |  |
| 1.5 dCi 110 (B9A3) (K9K 656)                    |  | Diesel           | FWD | 1461 | 81  | 110 | 11.15-   | * |  |
| 1.5 dCi 110 (B9A3) (K9K 657)                    |  | Diesel           | FWD | 1461 | 81  | 110 | 11.15-   | * |  |
| 1.5 Blue dCi 115 (B9A6) (K9K 872)               |  | Diesel           | FWD | 1461 | 85  | 116 | 08.18-   | * |  |
| 1.5 Blue dCi 115 (B9A6) (K9K 873)               |  | Diesel           | FWD | 1461 | 85  | 116 | 08.18-   | * |  |
| 1.6 dCi 130 (B9A4) (R9M 409)                    |  | Diesel           | FWD | 1598 | 96  | 130 | 11.15-   | * |  |
| 1.6 dCi 165 (R9M 452)                           |  | Diesel           | FWD | 1598 | 120 | 163 | 11.15-   | * |  |
| 1.8 Blue dCi 150 (B9A7) (R9N 401)               |  | Diesel           | FWD | 1749 | 110 | 150 | 02.19-   | * |  |

# LISTA DE APLICACIONES - BUYERS GUIDE

| <b>MEGANE IV Grandtour (K9A/M/N_) 04.16-</b> |  |                  |     |      | <b>[CAMBIADO]:Break (Compact car-C Segment)</b>        |     |             |   |
|--|--|------------------|-----|------|--|-----|-------------|---|
| 1.0 TCe 115 (K9MB, K9MW)                     |  | Gasolina         | FWD | 999  | 84   | 114 | 07.21-      | * |
| 1.2 TCe 100 (H5F 408)                        |  | Gasolina         | FWD | 1197 | 74   | 101 | 04.16-      | * |
| 1.2 TCe 130 (K9MR) (H5F 408)                 |  | Gasolina         | FWD | 1197 | 97   | 130 | 04.16-      | * |
| 1.3 TCe 100 (K9N8) (H5H 470)                 |  | Gasolina         | FWD | 1332 | 75   | 102 | 08.18-      | * |
| 1.3 TCe 115 (K9N9) (H5H 450)                 |  | Gasolina         | FWD | 1332 | 85   | 116 | 01.18-      | * |
| 1.3 TCe 115 (K9N9) (H5H 470)                 |  | Gasolina         | FWD | 1332 | 85   | 116 | 01.18-      | * |
| 1.3 TCe 140 (K9NB) (H5H 450)                 |  | Gasolina         | FWD | 1332 | 103  | 140 | 01.18-      | * |
| 1.3 TCe 140 (K9NB) (H5H 470)                 |  | Gasolina         | FWD | 1332 | 103  | 140 | 01.18-      | * |
| 1.3 TCe 160 (K9NC)                           |  | Gasolina         | FWD | 1332 | 116  | 158 | 08.20-      | * |
| 1.3 TCe 160 (K9NC) (H5H 470)                 |  | Gasolina         | FWD | 1332 | 117  | 159 | 07.18-      | * |
| 1.3 TCe 160 (K9NC) (H5H 450)                 |  | Gasolina         | FWD | 1332 | 120  | 163 | 01.18-      | * |
| 1.3 TCe 160 (K9NC) (H5H 470)                 |  | Gasolina         | FWD | 1332 | 120  | 163 | 01.18-      | * |
| 1.6 16V (H4M 738)                            |  | Gasolina         | FWD | 1598 | 84   | 115 | 04.16-      | * |
| 1.6 TCe 165 (M5M 450)                        |  | Gasolina         | FWD | 1618 | 121  | 165 | 07.17-      | * |
| 1.6 TCe 205 (M5M 450)                        |  | Gasolina         | FWD | 1618 | 151  | 205 | 04.16-      | * |
| E-TECH 160 (K9NH)                            |  | Gasol./el éc.    | FWD | 1598 | 67   | 91  | 05.20-      | * |
| E-TECH 160 (K9NH) (H4M 630)                  |  | Gasol./el éc.    | FWD | 1598 | 116  | 158 | 05.20-      | * |
| 1.5 dCi 90 (K9K 656)                         |  | Diesel           | FWD | 1461 | 66   | 90  | 04.16-      | * |
| 1.5 Blue dCi 95 (K9A2) (K9K 872)             |  | Diesel           | FWD | 1461 | 70   | 95  | 08.18-      | * |
| 1.5 dCi 110 (K9K 656)                        |  | Diesel           | FWD | 1461 | 81   | 110 | 04.16-      | * |
| 1.5 dCi 110 (K9K 657)                        |  | Diesel           | FWD | 1461 | 81   | 110 | 04.16-      | * |
| 1.5 Blue dCi 115 (K9A6) (K9K 872)            |  | Diesel           | FWD | 1461 | 85   | 116 | 08.18-      | * |
| 1.5 Blue dCi 115 (K9A6) (K9K 873)            |  | Diesel           | FWD | 1461 | 85   | 116 | 08.18-      | * |
| 1.6 dCi 130 (R9M 409)                        |  | Diesel           | FWD | 1598 | 96   | 130 | 04.16-      | * |
| 1.6 dCi 165 (R9M 452)                        |  | Diesel           | FWD | 1598 | 120  | 163 | 04.16-      | * |
| 1.8 Blue dCi 150 (K9A7) (R9N 401)            |  | Diesel           | FWD | 1749 | 110  | 150 | 02.19-      | * |
| <b>MEGANE Kombi van (KA_) 02.00-07.03</b>    |  |                  |     |      | <b>[CAMBIADO]:Furgón/Break (Compact car-C Segment)</b> |     |             |   |
| 1.6 (KA0B, KA04) (K4M 700)                   |  | Gasolina         | FWD | 1598 | 79   | 107 | 04.01-07.03 | * |
| 1.6 (KA0B, KA04) (K4M 701)                   |  | Gasolina         | FWD | 1598 | 79   | 107 | 04.01-07.03 | * |
| 1.6 (KA0B, KA04) (K4M 708)                   |  | Gasolina         | FWD | 1598 | 79   | 107 | 04.01-07.03 | * |
| 1.6 (KA0B, KA04) (K4M 709)                   |  | Gasolina         | FWD | 1598 | 79   | 107 | 04.01-07.03 | * |
| 1.8 (KA1M) (F4P 722)                         |  | Gasolina         | FWD | 1783 | 85   | 116 | 04.01-07.03 | * |
| 1.6 BiFuel (KA0B) (K4M 712)                  |  | Gasol./Gas (LPG) | FWD | 1598 | 79   | 107 | 04.01-07.03 | * |
| 1.6 BiFuel (KA04) (K4M 704)                  |  | Gasol./Gas (LPG) | FWD | 1598 | 80   | 109 | 04.01-07.03 | * |
| <b>MEGANE Scenic (JA0/1_) 10.96-12.01</b>    |  |                  |     |      | <b>MPV (Compact MPV-M1 Segment)</b>                    |     |             |   |
| 1.4 i (JA0E) (E7J 764)                       |  | Gasolina         | FWD | 1390 | 55   | 75  | 01.97-09.99 | * |
| 1.6 i (JA0L) (K7M 720)                       |  | Gasolina         | FWD | 1598 | 55   | 75  | 01.97-09.99 | * |
| 1.6 e (JA0F) (K7M 702)                       |  | Gasolina         | FWD | 1598 | 66   | 90  | 10.96-10.99 | * |
| 1.6 e (JA0F) (K7M 703)                       |  | Gasolina         | FWD | 1598 | 66   | 90  | 10.96-10.99 | * |
| 1.6 16V (JA0B, JA04, JA11, JA00) (K4M 700)   |  | Gasolina         | FWD | 1598 | 79   | 107 | 04.98-10.99 | * |
| 1.6 16V (JA0B, JA04, JA11, JA00) (K4M 701)   |  | Gasolina         | FWD | 1598 | 79   | 107 | 04.98-10.99 | * |
| 1.6 16V (JA0B, JA04, JA11, JA00) (K4M 704)   |  | Gasolina         | FWD | 1598 | 79   | 107 | 04.98-10.99 | * |
| 1.6 16V (JA0B, JA04, JA11, JA00) (K4M 708)   |  | Gasolina         | FWD | 1598 | 79   | 107 | 04.98-10.99 | * |
| 2.0 i (JA02, JA0G) (F3R 791)                 |  | Gasolina         | FWD | 1998 | 80   | 109 | 01.99-09.99 | * |
| 2.0 i (JA02, JA0G) (F3R 796)                 |  | Gasolina         | FWD | 1998 | 80   | 109 | 01.99-09.99 | * |
| 2.0 i (JA0G) (F3R 750)                       |  | Gasolina         | FWD | 1998 | 84   | 114 | 01.97-09.99 | * |
| 2.0 i (JA0G) (F3R 751)                       |  | Gasolina         | FWD | 1998 | 84   | 114 | 01.97-09.99 | * |

# LISTA DE APLICACIONES - BUYERS GUIDE

|  |  |                   |     |      |  |     |             |   |
|--|--|-------------------|-----|------|--|-----|-------------|---|
| 2.0 RXE 4x4 (F3R 750)  |  | Gasolina          | 4WD | 1998 | 84   | 114 | 05.97-10.99 | * |
| 1.9 D (JA0J) (F8Q 790)   |  | Diesel            | FWD | 1870 | 47   | 64  | 03.97-09.99 | * |
| 1.9 dT (JA0K, JA0Y) (F8Q 784)                                      |  | Diesel            | FWD | 1870 | 66   | 90  | 01.97-09.99 | * |
| 1.9 dT (JA0K, JA0Y) (F8Q 786)                                      |  | Diesel            | FWD | 1870 | 66   | 90  | 01.97-09.99 | * |
| 1.9 dTi (JA0N) (F9Q 730)   |  | Diesel            | FWD | 1870 | 72   | 98  | 04.97-09.99 | * |
| 1.9 dTi (JA0N) (F9Q 734)   |  | Diesel            | FWD | 1870 | 72   | 98  | 04.97-09.99 | * |
| <b>MEGANE Scenic VAN (JA0/1_) 10.96-12.01</b>                      |  |                   |     |      | <b>Furgoneta/MPV (Compact MPV-M1 Segment)</b>    |     |             |   |
| 1.9 DT (JA0K)  |  | Diesel            | FWD | 1870 | 66   | 90  | 01.97-09.99 | * |
| 1.9 dTi (JA0N)   |  | Diesel            | FWD | 1870 | 72   | 98  | 04.97-09.99 | * |
| <b>MODUS / GRAND MODUS (F/JP0_) 09.04-</b>                         |  |                   |     |      | <b>[CAMBIADO]:Fastback (Mini MPV-M1 Segment)</b> |     |             |   |
| 1.2 (JP0C, JP0K, FP0C, FP0K, FP0P, JP0P, JP0T) (D4F 740)           |  | Gasolina          | FWD | 1149 | 55   | 75  | 12.04-12.13 | * |
| 1.2 (JP0S) (D4F 764)   |  | Gasolina          | FWD | 1149 | 58   | 78  | 12.04-12.13 | * |
| 1.2 16V (JP0W) (D4F 784)   |  | Gasolina          | FWD | 1149 | 74   | 101 | 05.07-12.13 | * |
| 1.2 (JP1E) (D4F 786)   |  | Gasolina          | FWD | 1149 | 76   | 103 | 04.11-12.13 | * |
| 1.4 (JP01, JP0J) (K4J 770)   |  | Gasolina          | FWD | 1390 | 72   | 98  | 12.04-12.13 | * |
| 1.4 (JP01, JP0J) (K4J 780)   |  | Gasolina          | FWD | 1390 | 72   | 98  | 12.04-12.13 | * |
| 1.6 (JP0L, JP0V) (K4M 794)   |  | Gasolina          | FWD | 1598 | 65   | 88  | 12.04-10.07 | * |
| 1.6 (JP03, JP0B, JP0U, JP0Y, JP1G) (K4M 790)                       |  | Gasolina          | FWD | 1598 | 82   | 112 | 12.04-12.13 | * |
| 1.6 (JP03, JP0B, JP0U, JP0Y, JP1G) (K4M 791)                       |  | Gasolina          | FWD | 1598 | 82   | 112 | 12.04-12.13 | * |
| 1.6 (JP03, JP0B, JP0U, JP0Y, JP1G) (K4M 800)                       |  | Gasolina          | FWD | 1598 | 82   | 112 | 12.04-12.13 | * |
| 1.6 (JP03, JP0B, JP0U, JP0Y, JP1G) (K4M 801)                       |  | Gasolina          | FWD | 1598 | 82   | 112 | 12.04-12.13 | * |
| 1.2 GPL (JP0R) (D4F 744)   |  | Gasol./G as (LPG) | FWD | 1149 | 55   | 75  | 05.08-12.12 | * |
| 1.2 16V Hi-Flex (D4F 740)  |  | Gasol./Etanol     | FWD | 1149 | 55   | 75  | 10.08-12.13 | * |
| 1.5 dCi (FP0E, JP0E) (K9K 752)                                     |  | Diesel            | FWD | 1461 | 48   | 65  | 12.04-12.13 | * |
| 1.5 dCi (FP0E, JP0E) (K9K 768)                                     |  | Diesel            | FWD | 1461 | 48   | 65  | 12.04-12.13 | * |
| 1.5 dCi (FP0G, JP0G) (K9K 768)                                     |  | Diesel            | FWD | 1461 | 50   | 68  | 12.04-12.13 | * |
| 1.5 dCi 75 (K9K 770)   |  | Diesel            | FWD | 1461 | 55   | 75  | 10.10-12.13 | * |
| 1.5 dCi (FP0D, JP0D) (K9K 750)                                     |  | Diesel            | FWD | 1461 | 60   | 82  | 09.04-10.07 | * |
| 1.5 dCi (FP0F, JP0F) (K9K 760)                                     |  | Diesel            | FWD | 1461 | 63   | 86  | 12.04-12.13 | * |
| 1.5 dCi (FP0F, JP0F) (K9K 766)                                     |  | Diesel            | FWD | 1461 | 63   | 86  | 12.04-12.13 | * |
| 1.5 dCi 90 (K9K 750)   |  | Diesel            | FWD | 1461 | 65   | 88  | 10.10-12.13 | * |
| 1.5 dCi 90 (K9K 770)   |  | Diesel            | FWD | 1461 | 65   | 88  | 10.10-12.13 | * |
| 1.5 dCi (JP02) (K9K 772)   |  | Diesel            | FWD | 1461 | 76   | 103 | 05.07-12.13 | * |
| 1.5 dCi (JP0G, JP0H) (K9K 764)                                     |  | Diesel            | FWD | 1461 | 78   | 106 | 05.05-12.13 | * |
| <b>SCÉNIC (JA0/1_, FA0_) 08.99-07.10</b>                           |  |                   |     |      | <b>MPV (Compact MPV-M1 Segment)</b>              |     |             |   |
| 1.4 16V (JA0D, JA1H, Ja0W, JA10) (K4J 714)                         |  | Gasolina          | FWD | 1390 | 70   | 95  | 09.99-08.03 | * |
| 1.4 16V (JA0D, JA1H, Ja0W, JA10) (K4J 750)                         |  | Gasolina          | FWD | 1390 | 70   | 95  | 09.99-08.03 | * |
| 1.6 (K4M 708)  |  | Gasolina          | FWD | 1598 | 75   | 102 | 03.01-08.03 | * |
| 1.6 (K4M 709)  |  | Gasolina          | FWD | 1598 | 75   | 102 | 03.01-08.03 | * |
| 1.6 (JA00, JA16, JA15, JA19, JA1V, JA2B, JA2C, JA0B,...) (K4M 700) |  | Gasolina          | FWD | 1598 | 79   | 107 | 09.99-09.03 | * |
| 1.6 (JA00, JA16, JA15, JA19, JA1V, JA2B, JA2C, JA0B,...) (K4M 706) |  | Gasolina          | FWD | 1598 | 79   | 107 | 09.99-09.03 | * |
| 1.6 (JA00, JA16, JA15, JA19, JA1V, JA2B, JA2C, JA0B,...) (K4M 707) |  | Gasolina          | FWD | 1598 | 79   | 107 | 09.99-09.03 | * |
| 1.6 (JA00, JA16, JA15, JA19, JA1V, JA2B, JA2C, JA0B,...) (K4M 776) |  | Gasolina          | FWD | 1598 | 79   | 107 | 09.99-09.03 | * |
| 1.6 (JA00)   |  | Gasolina          | FWD | 1598 | 81   | 110 | 06.01-09.03 | * |
| 1.6 16V  |  | Gasolina          | FWD | 1598 | 85   | 116 | 09.99-08.03 | * |
| 1.8 16V (JA12, JA1R, JA1M, JA1A) (F4P 720)                         |  | Gasolina          | FWD | 1783 | 85   | 115 | 01.01-08.03 | * |
| 1.8 16V (JA12, JA1R, JA1M, JA1A) (F4P 722)                         |  | Gasolina          | FWD | 1783 | 85   | 115 | 01.01-08.03 | * |

# LISTA DE APLICACIONES - BUYERS GUIDE

|  |  |                  |     |                                     |     |     |             |   |
|--|--|------------------|-----|-------------------------------------|-----|-----|-------------|---|
| 1.8 4x4 (F4P 722)                            |  | Gasolina         | 4WD | 1783                                | 85  | 116 | 07.00-04.01 | * |
| 2.0 16V (JA1B, JA1D, JA0C) (F4R 740)         |  | Gasolina         | FWD | 1998                                | 102 | 139 | 07.00-08.03 | * |
| 2.0 16V (JA1B, JA1D, JA0C) (F4R 741)         |  | Gasolina         | FWD | 1998                                | 102 | 139 | 07.00-08.03 | * |
| 2.0 16V (JA1B, JA1D, JA0C) (F4R 746)         |  | Gasolina         | FWD | 1998                                | 102 | 139 | 07.00-08.03 | * |
| 2.0 16V RX4 (F4R 744)                        |  | Gasolina         | 4WD | 1998                                | 102 | 139 | 06.00-08.03 | * |
| 2.0 16V RX4 (F4R 746)                        |  | Gasolina         | 4WD | 1998                                | 102 | 139 | 06.00-08.03 | * |
| 2.0 16V (JA1D, JA17) (F4R 740)               |  | Gasolina         | FWD | 1998                                | 103 | 140 | 09.99-08.03 | * |
| 2.0 16V (JA1D, JA17) (F4R 741)               |  | Gasolina         | FWD | 1998                                | 103 | 140 | 09.99-08.03 | * |
| 2.0 16V (JA1D, JA17) (F4R 744)               |  | Gasolina         | FWD | 1998                                | 103 | 140 | 09.99-08.03 | * |
| 2.0 16V (JA1D, JA17) (F4R 747)               |  | Gasolina         | FWD | 1998                                | 103 | 140 | 09.99-08.03 | * |
| 1.6 BiFuel                                   |  | Gasol./Gas (LPG) | FWD | 1598                                | 75  | 102 | 03.01-08.03 | * |
| 1.6 BiFuel (JA04) (K4M 704)                  |  | Gasol./Gas (LPG) | FWD | 1598                                | 79  | 107 | 09.99-04.01 | * |
| 1.6 BiFuel (JA04) (K4M 712)                  |  | Gasol./Gas (LPG) | FWD | 1598                                | 79  | 107 | 09.99-04.01 | * |
| 1.9 D (JA0J, FA0J) (F8Q 788)                 |  | Diesel           | FWD | 1870                                | 47  | 64  | 09.99-03.01 | * |
| 1.9 D (JA0J, FA0J) (F8Q 790)                 |  | Diesel           | FWD | 1870                                | 47  | 64  | 09.99-03.01 | * |
| 1.9 dTi (JA1U) (F9Q 744)                     |  | Diesel           | FWD | 1870                                | 59  | 80  | 02.01-08.03 | * |
| 1.9 dTi (JA0N) (F9Q 731)                     |  | Diesel           | FWD | 1870                                | 72  | 98  | 09.99-08.03 | * |
| 1.9 dTi (JA0N) (F9Q 734)                     |  | Diesel           | FWD | 1870                                | 72  | 98  | 09.99-08.03 | * |
| 1.9 dTi (JA0N) (F9Q 736)                     |  | Diesel           | FWD | 1870                                | 72  | 98  | 09.99-08.03 | * |
| 1.9 dCi RX4 (F9Q 732)                        |  | Diesel           | 4WD | 1870                                | 74  | 101 | 12.02-08.03 | * |
| 1.9 dCi RX4 (F9Q 748)                        |  | Diesel           | 4WD | 1870                                | 74  | 101 | 12.02-08.03 | * |
| 1.9 dCi RX4 (F9Q 796)                        |  | Diesel           | 4WD | 1870                                | 74  | 101 | 12.02-08.03 | * |
| 1.9 dCi (JA05, JA1F) (F9Q 732)               |  | Diesel           | FWD | 1870                                | 75  | 102 | 09.99-08.03 | * |
| 1.9 dCi (JA05, JA1F) (F9Q 733)               |  | Diesel           | FWD | 1870                                | 75  | 102 | 09.99-08.03 | * |
| 1.9 dCi RX4 (F9Q 740)                        |  | Diesel           | 4WD | 1870                                | 75  | 102 | 11.00-08.03 | * |
| <b>SCÉNIC II (JM0/1_) 06.03-</b>             |  |                  |     | <b>MPV (Compact MPV-M1 Segment)</b> |     |     |             |   |
| 1.4 (JM0B, JM0H, JM1A) (K4J 730)             |  | Gasolina         | FWD | 1390                                | 72  | 98  | 06.03-11.08 | * |
| 1.4 (JM0B, JM0H, JM1A) (K4J 740)             |  | Gasolina         | FWD | 1390                                | 72  | 98  | 06.03-11.08 | * |
| 1.4 (JM0B, JM0H, JM1A) (K4J 770)             |  | Gasolina         | FWD | 1390                                | 72  | 98  | 06.03-11.08 | * |
| 1.6 (K4M 788)                                |  | Gasolina         | FWD | 1598                                | 77  | 105 | 06.06-11.08 | * |
| 1.6 16V (JM1R, JM1B, JM2Y) (K4M 706)         |  | Gasolina         | FWD | 1598                                | 82  | 112 | 10.05-11.08 | * |
| 1.6 16V (JM1R, JM1B, JM2Y) (K4M 766)         |  | Gasolina         | FWD | 1598                                | 82  | 112 | 10.05-11.08 | * |
| 1.6 16V (JM1R, JM1B, JM2Y) (K4M 812)         |  | Gasolina         | FWD | 1598                                | 82  | 112 | 10.05-11.08 | * |
| 1.6 16V (JM1R, JM1B, JM2Y) (K4M 813)         |  | Gasolina         | FWD | 1598                                | 82  | 112 | 10.05-11.08 | * |
| 1.6 (JM0C, JM0J, JM1B) (K4M 761)             |  | Gasolina         | FWD | 1598                                | 83  | 113 | 06.03-10.06 | * |
| 1.6 (JM0C, JM0J, JM1B) (K4M 782)             |  | Gasolina         | FWD | 1598                                | 83  | 113 | 06.03-10.06 | * |
| 2.0 (JM05, JM0U, JM1N, JM1U, JM2V) (F4R 770) |  | Gasolina         | FWD | 1998                                | 99  | 135 | 06.03-06.09 | * |
| 2.0 (JM05, JM0U, JM1N, JM1U, JM2V) (F4R 771) |  | Gasolina         | FWD | 1998                                | 99  | 135 | 06.03-06.09 | * |
| 2.0 (JM0S, JM2N) (F4R 770)                   |  | Gasolina         | FWD | 1998                                | 101 | 138 | 02.08-04.09 | * |
| 2.0 16V Turbo (JM0W) (F4R 776)               |  | Gasolina         | FWD | 1998                                | 120 | 163 | 05.04-11.08 | * |
| 1.6 BiFuel (K4M 764)                         |  | Gasol./Gas (LPG) | FWD | 1598                                | 83  | 113 | 08.03-05.06 | * |
| 1.6 Hi-Flex (K4M 766)                        |  | Gasol./Etanol    | FWD | 1598                                | 81  | 110 | 03.05-07.10 | * |
| 1.5 dCi (JM0F) (K9K 722)                     |  | Diesel           | FWD | 1461                                | 60  | 82  | 06.03-05.06 | * |
| 1.5 dCi (JM1F) (K9K 724)                     |  | Diesel           | FWD | 1461                                | 63  | 86  | 05.05-11.08 | * |
| 1.5 dCi (JM02, JM13) (K9K 728)               |  | Diesel           | FWD | 1461                                | 74  | 101 | 11.03-08.05 | * |
| 1.5 dCi (JM02, JM13) (K9K 729)               |  | Diesel           | FWD | 1461                                | 74  | 101 | 11.03-08.05 | * |
| 1.5 dCi (JM16) (K9K 728)                     |  | Diesel           | FWD | 1461                                | 76  | 103 | 01.07-11.08 | * |
| 1.5 dCi (JM16) (K9K 734)                     |  | Diesel           | FWD | 1461                                | 76  | 103 | 01.07-11.08 | * |
| 1.5 dCi (JM1E, JM16) (K9K 732)               |  | Diesel           | FWD | 1461                                | 78  | 106 | 05.05-11.08 | * |

## LISTA DE APLICACIONES - BUYERS GUIDE

|  |  |                  |     |      |     |     |                                     |   |
|--|--|------------------|-----|------|-----|-----|-------------------------------------|---|
| 1.5 dCi (JM1E, JM16) (K9K 734)             |  | Diesel           | FWD | 1461 | 78  | 106 | 05.05-11.08                         | * |
| 1.9 dCi (JM15) (F9Q 804)                   |  | Diesel           | FWD | 1870 | 81  | 110 | 05.05-11.08                         | * |
| 1.9 D (F9Q 812)                            |  | Diesel           | FWD | 1870 | 85  | 116 | 06.06-11.08                         | * |
| 1.9 D (F9Q J 803)                          |  | Diesel           | FWD | 1870 | 85  | 116 | 06.06-11.08                         | * |
| 1.9 dCi (JM0G, JM12, JM1G, JM2C) (F9Q 812) |  | Diesel           | FWD | 1870 | 88  | 120 | 06.03-05.06                         | * |
| 1.9 dCi (F9Q 804)                          |  | Diesel           | FWD | 1870 | 92  | 125 | 06.03-11.08                         | * |
| 1.9 dCi (JM14) (F9Q 804)                   |  | Diesel           | FWD | 1870 | 96  | 131 | 05.05-11.08                         | * |
| 1.9 dCi (JM14) (F9Q 816)                   |  | Diesel           | FWD | 1870 | 96  | 131 | 05.05-11.08                         | * |
| 1.9 dCi (JM14) (F9Q 818)                   |  | Diesel           | FWD | 1870 | 96  | 131 | 05.05-11.08                         | * |
| 1.9 dCi (JM14) (F9Q J 803)                 |  | Diesel           | FWD | 1870 | 96  | 131 | 05.05-11.08                         | * |
| 1.9 dCi 130 (F9Q 804)                      |  | Diesel           | FWD | 1870 | 97  | 132 | 10.05-12.09                         | * |
| 2.0 dCi (JM1K) (M9R 700)                   |  | Diesel           | FWD | 1995 | 110 | 150 | 09.05-11.08                         | * |
| 2.0 dCi (JM1K) (M9R 721)                   |  | Diesel           | FWD | 1995 | 110 | 150 | 09.05-11.08                         | * |
| 2.0 dCi (JM1K) (M9R 722)                   |  | Diesel           | FWD | 1995 | 110 | 150 | 09.05-11.08                         | * |
| <b>SCÉNIC III (JZ0/1_) 12.08-</b>          |  |                  |     |      |     |     | <b>MPV (Compact MPV-M1 Segment)</b> |   |
| 1.2 TCe (H5F 400)                          |  | Gasolina         | FWD | 1197 | 85  | 116 | 04.12-09.16                         | * |
| 1.2 TCe (H5F 408)                          |  | Gasolina         | FWD | 1197 | 96  | 131 | 07.14-09.16                         | * |
| 1.2 TCe (JZ16) (H5F 404)                   |  | Gasolina         | FWD | 1197 | 97  | 132 | 01.13-09.16                         | * |
| 1.2 TCe (JZ16) (H5F 408)                   |  | Gasolina         | FWD | 1197 | 97  | 132 | 01.13-09.16                         | * |
| 1.4 16V (JZ0F, JZ1V) (H4J 700)             |  | Gasolina         | FWD | 1397 | 96  | 131 | 02.09-09.16                         | * |
| 1.6 16V (JZ0U, JZ1B) (K4M 858)             |  | Gasolina         | FWD | 1598 | 81  | 110 | 02.09-09.16                         | * |
| 1.6 16V (JZ0U, JZ1B) (K4M R 858)           |  | Gasolina         | FWD | 1598 | 81  | 110 | 02.09-09.16                         | * |
| 2.0 16V (M4R 711)                          |  | Gasolina         | FWD | 1997 | 101 | 137 | 12.08-09.16                         | * |
| 2.0 16V (JZ0G, JZ0P, JZ1E, JZ1P) (M4R 710) |  | Gasolina         | FWD | 1997 | 103 | 140 | 02.09-09.16                         | * |
| 2.0 16V (JZ0G, JZ0P, JZ1E, JZ1P) (M4R 711) |  | Gasolina         | FWD | 1997 | 103 | 140 | 02.09-09.16                         | * |
| 2.0 16V (JZ0G, JZ0P, JZ1E, JZ1P) (M4R 713) |  | Gasolina         | FWD | 1997 | 103 | 140 | 02.09-09.16                         | * |
| 1.6 16V Bifuel (K4M 866)                   |  | Gasol./Gas (LPG) | FWD | 1598 | 79  | 107 | 04.12-12.13                         | * |
| 1.6 16V Bifuel (K4M 866)                   |  | Gasol./Gas (LPG) | FWD | 1598 | 81  | 110 | 02.09-09.16                         | * |
| 1.6 E85 (JZ03, JZ1Y) (K4M 866)             |  | Gasol./Etanol    | FWD | 1598 | 81  | 110 | 02.09-09.16                         | * |
| 1.5 dCi (K9K 830)                          |  | Diesel           | FWD | 1461 | 63  | 86  | 04.09-09.16                         | * |
| 1.5 dCi (JZ02, JZ0R) (K9K 846)             |  | Diesel           | FWD | 1461 | 70  | 95  | 11.10-09.16                         | * |
| 1.5 dCi (K9K 832)                          |  | Diesel           | FWD | 1461 | 78  | 106 | 02.09-09.16                         | * |
| 1.5 dCi (K9K 636)                          |  | Diesel           | FWD | 1461 | 81  | 110 | 04.09-09.16                         | * |
| 1.5 dCi (K9K 656)                          |  | Diesel           | FWD | 1461 | 81  | 110 | 04.09-09.16                         | * |
| 1.5 dCi (K9K 657)                          |  | Diesel           | FWD | 1461 | 81  | 110 | 04.09-09.16                         | * |
| 1.5 dCi (K9K 836)                          |  | Diesel           | FWD | 1461 | 81  | 110 | 04.09-09.16                         | * |
| 1.5 dCi (K9K 837)                          |  | Diesel           | FWD | 1461 | 81  | 110 | 04.09-09.16                         | * |
| 1.6 dCi (JZ00, JZ12) (R9M 402)             |  | Diesel           | FWD | 1598 | 96  | 130 | 04.11-09.16                         | * |
| 1.6 dCi (JZ00, JZ12) (R9M 404)             |  | Diesel           | FWD | 1598 | 96  | 130 | 04.11-09.16                         | * |
| 1.6 dCi (JZ00, JZ12) (R9M 414)             |  | Diesel           | FWD | 1598 | 96  | 130 | 04.11-09.16                         | * |
| 1.9 dCi (JZ0J, JZ1J, JZ1K, JZ1S) (F9Q 870) |  | Diesel           | FWD | 1870 | 96  | 131 | 02.09-09.16                         | * |
| 1.9 dCi (JZ0J, JZ1J, JZ1K, JZ1S) (F9Q 872) |  | Diesel           | FWD | 1870 | 96  | 131 | 02.09-09.16                         | * |
| 2.0 dCi (JZ0Y, JZ26) (M9R 615)             |  | Diesel           | FWD | 1995 | 110 | 150 | 02.09-09.16                         | * |
| 2.0 dCi (JZ0L) (M9R 610)                   |  | Diesel           | FWD | 1995 | 118 | 160 | 04.09-09.16                         | * |
| <b>SCÉNIC IV (J9_) 09.16-</b>              |  |                  |     |      |     |     | <b>MPV (Compact MPV-M1 Segment)</b> |   |
| 1.2 TCe 130 (H5F 408)                      |  | Gasolina         | FWD | 1197 | 96  | 130 | 09.16-07.22                         | * |
| 1.2 TCe 115 (H5F 408)                      |  | Gasolina         | FWD | 1198 | 85  | 115 | 09.16-07.22                         | * |
| 1.3 TCe 115 (J9N9) (H5H 450)               |  | Gasolina         | FWD | 1332 | 85  | 115 | 01.18-07.22                         | * |
| 1.3 TCe 115 (J9N9) (H5H 470)               |  | Gasolina         | FWD | 1332 | 85  | 115 | 01.18-07.22                         | * |

# LISTA DE APLICACIONES - BUYERS GUIDE

|  |  |               |     |      |     |     |   |   |  |
|--|--|---------------|-----|------|-----|-----|---|---|--|
| 1.3 TCe 140 (H5H 450)                              |  | Gasolina      | FWD | 1332 | 103 | 140 | 01.18-07.22                                     | * |  |
| 1.3 TCe 140 (H5H 470)                              |  | Gasolina      | FWD | 1332 | 103 | 140 | 01.18-07.22                                     | * |  |
| 1.3 TCe 160 (J9NC) (H5H 470)                       |  | Gasolina      | FWD | 1332 | 117 | 159 | 09.18-07.22                                     | * |  |
| 1.3 TCe 160 (H5H 450)                              |  | Gasolina      | FWD | 1332 | 120 | 163 | 01.18-07.22                                     | * |  |
| 1.5 dCi 110 Hybrid Assist (R9AE, R9A3) (K9K 500)   |  | Diesel/el éc. | FWD | 1461 | 81  | 110 | 04.17-07.22                                     | * |  |
| 1.5 dCi 110 Hybrid Assist (R9AE, R9A3) (K9K 502)   |  | Diesel/el éc. | FWD | 1461 | 81  | 110 | 04.17-07.22                                     | * |  |
| 1.5 dCi 95 (K9K 646)                               |  | Diesel        | FWD | 1461 | 70  | 95  | 09.16-07.22                                     | * |  |
| 1.5 dCi 95 (K9K 846)                               |  | Diesel        | FWD | 1461 | 70  | 95  | 09.16-07.22                                     | * |  |
| 1.5 dCi 110 (K9K 646)                              |  | Diesel        | FWD | 1461 | 81  | 110 | 09.16-07.22                                     | * |  |
| 1.5 dCi 110 (K9K 647)                              |  | Diesel        | FWD | 1461 | 81  | 110 | 09.16-07.22                                     | * |  |
| 1.6 dCi 130 (R9M 409)                              |  | Diesel        | FWD | 1598 | 96  | 130 | 09.16-07.22                                     | * |  |
| 1.6 dCi 160 (R9M 452)                              |  | Diesel        | FWD | 1598 | 118 | 160 | 09.16-07.22                                     | * |  |
| 1.7 Blue dCi 120 (J9A7, J9A8) (R9N 400)            |  | Diesel        | FWD | 1749 | 88  | 120 | 08.18-07.22                                     | * |  |
| 1.7 Blue dCi 120 (J9A7, J9A8) (R9N 401)            |  | Diesel        | FWD | 1749 | 88  | 120 | 08.18-07.22                                     | * |  |
| 1.7 Blue dCi 150 (J9A7, J9A8) (R9N 400)            |  | Diesel        | FWD | 1749 | 110 | 150 | 08.18-07.22                                     | * |  |
| 1.7 Blue dCi 150 (J9A7, J9A8) (R9N 401)            |  | Diesel        | FWD | 1749 | 110 | 150 | 08.18-07.22                                     | * |  |
| <b>SCÉNIC III VAN (JZ0/1_) 12.08-</b>              |  |               |     |      |     |     | <b>Furgoneta/MPV (Compact MPV-M1 Segment)</b>   |   |  |
| 1.4 TCe (JZ0F, JZ1V)                               |  | Gasolina      | FWD | 1397 | 96  | 131 | 01.13-09.16                                     | * |  |
| 1.6 VVT (JZ0U, JZ1B, JZ1H, JZ1U, JZ24)             |  | Gasolina      | FWD | 1598 | 81  | 110 | 01.13-09.16                                     | * |  |
| 1.5 dCi (JZ02)                                     |  | Diesel        | FWD | 1461 | 70  | 95  | 01.13-09.16                                     | * |  |
| 1.5 dCi (JZ0D, JZ1M, JZ09, JZ14, JZ1G, JZ1W, JZ10) |  | Diesel        | FWD | 1461 | 81  | 110 | 04.09-09.16                                     | * |  |
| 1.6 dCi (JZ00, JZ12, JZ2A)                         |  | Diesel        | FWD | 1598 | 96  | 131 | 01.13-09.16                                     | * |  |
| 1.9 dCi (JZ0J, JZ1J, JZ1K, JZ1S)                   |  | Diesel        | FWD | 1870 | 96  | 131 | 01.13-09.16                                     | * |  |
| <b>SCÉNIC VAN (FA0_, JA0/1_) 08.99-07.10</b>       |  |               |     |      |     |     | <b>Furgoneta/MPV (Compact MPV-M1 Segment)</b>   |   |  |
| 1.9 (FA0J)   |  | Diesel        | FWD | 1870 | 47  | 64  | 09.99-02.01                                     | * |  |
| 1.9 dTi (JA0N)                                     |  | Diesel        | FWD | 1870 | 72  | 98  | 09.99-04.01                                     | * |  |
| <b>THALIA II / SYMBOL (LU_) 09.08-</b>             |  |               |     |      |     |     | <b>Sedán (Supermini car-B Segment)</b>          |   |  |
| 1.2 16V (LU2V) (D4F 728)                           |  | Gasolina      | FWD | 1149 | 55  | 75  | 09.08-06.14                                     | * |  |
| 1.6  |  | Gasolina      | FWD | 1598 | 66  | 90  | 01.09-05.12                                     | * |  |
| 1.6 Flex   |  | Gasolina      | FWD | 1598 | 68  | 92  | 04.09-  | * |  |
| 1.6 16V (K4M 743)                                  |  | Gasolina      | FWD | 1598 | 77  | 105 | 09.08-03.13                                     | * |  |
| 1.6 16V (LU1A, LU1B, LU1D, LU2M) (K4M 744)         |  | Gasolina      | FWD | 1598 | 79  | 107 | 01.09-06.14                                     | * |  |
| 1.6 16V (LU1A, LU1B, LU1D, LU2M) (K4M 745)         |  | Gasolina      | FWD | 1598 | 79  | 107 | 01.09-06.14                                     | * |  |
| 1.6 Flex   |  | Gasolina      | FWD | 1598 | 81  | 110 | 03.09-  | * |  |
| 1.5 dCi (K9K 740)                                  |  | Diesel        | FWD | 1461 | 47  | 64  | 09.08-06.14                                     | * |  |
| 1.5 dCi (K9K 700)                                  |  | Diesel        | FWD | 1461 | 48  | 65  | 01.09-06.14                                     | * |  |
| 1.5 dCi (K9K 718)                                  |  | Diesel        | FWD | 1461 | 62  | 85  | 09.08-12.12                                     | * |  |
| 1.5 dCi (K9K 834)                                  |  | Diesel        | FWD | 1461 | 66  | 90  | 01.09-12.12                                     | * |  |
| <b>TWINGO II (CN0_) 03.07-</b>                     |  |               |     |      |     |     | <b>[CAMBIADO]:Fastback (City car-A Segment)</b> |   |  |
| 1.2 Turbo (CN0C, CN0F) (D4F 780)                   |  | Gasolina      | FWD | 1149 | 74  | 100 | 03.07-09.14                                     | * |  |
| 1.2 Turbo (CN0C, CN0F) (D4F 782)                   |  | Gasolina      | FWD | 1149 | 74  | 100 | 03.07-09.14                                     | * |  |
| 1.2 TCe 100 (CN0P) (D4F 780)                       |  | Gasolina      | FWD | 1149 | 75  | 102 | 02.11-08.13                                     | * |  |
| 1.2 TCe 100 (CN0P) (D4F 782)                       |  | Gasolina      | FWD | 1149 | 75  | 102 | 02.11-08.13                                     | * |  |
| 1.2 16V Turbo                                      |  | Gasolina      | FWD | 1195 | 73  | 99  | 03.07-  | * |  |
| 1.2 16V Turbo                                      |  | Gasolina      | FWD | 1195 | 88  | 120 | 03.07-  | * |  |
| 1.6 RS (CN0N, CN0R, CN0S) (K4M 854)                |  | Gasolina      | FWD | 1598 | 98  | 133 | 05.08-09.14                                     | * |  |
| 1.5 dCi 75 (K9K 820)                               |  | Diesel        | FWD | 1461 | 55  | 75  | 10.10-08.14                                     | * |  |
| 1.5 dCi (CN0U) (K9K 718)                           |  | Diesel        | FWD | 1461 | 62  | 84  | 04.08-09.14                                     | * |  |

# LISTA DE APLICACIONES - BUYERS GUIDE

|  |                  |     |      |   |     |             |   |
|--|------------------|-----|------|---|-----|-------------|---|
| 1.5 dCi 90 (K9K 820)                   | Diesel           | FWD | 1461 | 63  | 86  | 10.10-09.14 | * |
| <b>WIND (E4M_) 07.10-</b>              |                  |     |      | <b>Cabrío (Compact car-C Segment)</b>                     |     |             |   |
| 1.2 (E4MF) (D4F 782)                   | Gasolina         | FWD | 1149 | 74  | 101 | 07.10-05.11 | * |
| 1.2 TCe 100 (E4MF) (D4F 780)           | Gasolina         | FWD | 1149 | 75  | 102 | 02.11-08.13 | * |
| 1.6 (E4MB, E4MC) (K4M 854)             | Gasolina         | FWD | 1598 | 98  | 133 | 07.10-08.13 | * |
| <b>SEAT</b>                            |                  |     |      |   |     |             |   |
| <b>EXEO (3R2) 12.08-</b>               |                  |     |      | <b>Sedán (Compact executive car-D Segment)</b>            |     |             |   |
| 1.6 (ALZ)                              | Gasolina         | FWD | 1595 | 75  | 102 | 03.09-09.10 | * |
| 1.8 T (CFMA)                           | Gasolina         | FWD | 1781 | 110   | 150 | 12.08-05.10 | * |
| 1.8 TSI (CDHA)                         | Gasolina         | FWD | 1798 | 88  | 120 | 09.10-05.13 | * |
| 1.8 TSI (CDHB)                         | Gasolina         | FWD | 1798 | 118   | 160 | 05.10-05.13 | * |
| 2.0 TFSI (BWE)                         | Gasolina         | FWD | 1984 | 147   | 200 | 03.09-05.13 | * |
| 2.0 TFSI (CDND)                        | Gasolina         | FWD | 1984 | 155   | 211 | 05.10-05.13 | * |
| 2.0 TDI (CAGC)                         | Diesel           | FWD | 1968 | 88  | 120 | 12.08-05.13 | * |
| 2.0 TDI (CJCC)                         | Diesel           | FWD | 1968 | 88  | 120 | 12.08-05.13 | * |
| 2.0 TDI (CAGA)                         | Diesel           | FWD | 1968 | 105   | 143 | 12.08-05.13 | * |
| 2.0 TDI (CJCA)                         | Diesel           | FWD | 1968 | 105   | 143 | 12.08-05.13 | * |
| 2.0 TDI (CAHA)                         | Diesel           | FWD | 1968 | 125   | 170 | 02.09-05.13 | * |
| 2.0 TDI (CGLB)                         | Diesel           | FWD | 1968 | 125   | 170 | 02.09-05.13 | * |
| <b>EXEO Station Wagon (3R5) 05.09-</b> |                  |     |      | <b>[CAMBIADO]:Break (Compact executive car-D Segment)</b> |     |             |   |
| 1.6 (ALZ)                              | Gasolina         | FWD | 1595 | 75  | 102 | 06.09-09.10 | * |
| 1.8 T (CFMA)                           | Gasolina         | FWD | 1781 | 110   | 150 | 06.09-05.10 | * |
| 1.8 TSI (CDHA)                         | Gasolina         | FWD | 1798 | 88  | 120 | 09.10-05.13 | * |
| 1.8 TSI (CDHB)                         | Gasolina         | FWD | 1798 | 118   | 160 | 05.10-05.13 | * |
| 2.0 TFSI (CDND)                        | Gasolina         | FWD | 1984 | 155   | 211 | 05.10-05.13 | * |
| 2.0 TDI (CAGC)                         | Diesel           | FWD | 1968 | 88  | 120 | 07.09-05.13 | * |
| 2.0 TDI (CJCC)                         | Diesel           | FWD | 1968 | 88  | 120 | 07.09-05.13 | * |
| 2.0 TDI (CAGA)                         | Diesel           | FWD | 1968 | 105   | 143 | 05.09-05.13 | * |
| 2.0 TDI (CJCA)                         | Diesel           | FWD | 1968 | 105   | 143 | 05.09-05.13 | * |
| 2.0 TDI (CAHA)                         | Diesel           | FWD | 1968 | 125   | 170 | 05.09-05.13 | * |
| 2.0 TDI (CGLB)                         | Diesel           | FWD | 1968 | 125   | 170 | 05.09-05.13 | * |
| <b>VAUXHALL</b>                        |                  |     |      |   |     |             |   |
| <b>CROSSLAND X (P17) 03.17-</b>        |                  |     |      | <b>SUV (Subcompact SUV-B Segment)</b>                     |     |             |   |
| 1.2 (75) (B 12 XE (EB2F))              | Gasolina         | FWD | 1199 | 61  | 83  | 03.17-      | * |
| 1.2 (75) (D 12 XE (EB2FA))             | Gasolina         | FWD | 1199 | 61  | 83  | 03.17-      | * |
| 1.2 (75) (B 12 XHL (EB2DT))            | Gasolina         | FWD | 1199 | 81  | 110 | 03.17-      | * |
| 1.2 (75) (B 12 XHT (EB2DTS))           | Gasolina         | FWD | 1199 | 81  | 110 | 03.17-      | * |
| 1.2 (75) (D 12 XHL (EB2ADT))           | Gasolina         | FWD | 1199 | 81  | 110 | 03.17-      | * |
| 1.2 (75) (B 12 XHT (EB2DTS))           | Gasolina         | FWD | 1199 | 96  | 131 | 03.17-      | * |
| 1.2 (75) (D 12 XHT (EB2ADTS))          | Gasolina         | FWD | 1199 | 96  | 131 | 03.17-      | * |
| 1.2 (75) (F 12 XHT (EB2ADTS))          | Gasolina         | FWD | 1199 | 96  | 131 | 03.17-      | * |
| 1.2 LPG (75)                           | Gasol./Gas (LPG) | FWD | 1199 | 55  | 75  | 03.17-      | * |
| 1.5 Turbo D (75) (D 15 DT (DV5RD))     | Diesel           | FWD | 1499 | 75  | 102 | 06.18-      | * |
| 1.5 Turbo D ((75))                     | Diesel           | FWD | 1499 | 81  | 110 | 10.20-      | * |
| 1.5 Turbo D (75) (D 15 DTH (DV5RC))    | Diesel           | FWD | 1499 | 88  | 120 | 08.18-      | * |
| 1.6 Turbo D(75) (B 16 DT (DV6FD))      | Diesel           | FWD | 1560 | 73  | 99  | 03.17-05.18 | * |
| 1.6 Turbo D(75)                        | Diesel           | FWD | 1560 | 85  | 116 | 06.17-      | * |
| 1.6 Turbo D(75) (B 16 DTH (DV6FC))     | Diesel           | FWD | 1560 | 88  | 120 | 03.17-05.18 | * |
| <b>VW</b>                              |                  |     |      |   |     |             |   |

# LISTA DE APLICACIONES - BUYERS GUIDE

| <b>BORA / JETTA IV (1J2) 10.98-12.13</b> |  |          |     |      | <b>Sedán (Compact car-C Segment)</b> |     |             |   |
|--|--|----------|-----|------|--------------------------------------|-----|-------------|---|
| 1.4 16V (AHW)                            |  | Gasolina | FWD | 1390 | 55                                   | 75  | 03.00-05.05 | * |
| 1.4 16V (AKQ)                            |  | Gasolina | FWD | 1390 | 55                                   | 75  | 03.00-05.05 | * |
| 1.4 16V (APE)                            |  | Gasolina | FWD | 1390 | 55                                   | 75  | 03.00-05.05 | * |
| 1.4 16V (AXP)                            |  | Gasolina | FWD | 1390 | 55                                   | 75  | 03.00-05.05 | * |
| 1.4 16V (BCA)                            |  | Gasolina | FWD | 1390 | 55                                   | 75  | 03.00-05.05 | * |
| 1.6 (AEH)                                |  | Gasolina | FWD | 1595 | 74                                   | 101 | 10.98-05.05 | * |
| 1.6 (AKL)                                |  | Gasolina | FWD | 1595 | 74                                   | 101 | 10.98-05.05 | * |
| 1.6 (APF)                                |  | Gasolina | FWD | 1595 | 74                                   | 101 | 10.98-05.05 | * |
| 1.6 (AVU)                                |  | Gasolina | FWD | 1595 | 75                                   | 102 | 08.00-05.05 | * |
| 1.6 (BFQ)                                |  | Gasolina | FWD | 1595 | 75                                   | 102 | 08.00-05.05 | * |
| 1.6 16V (ATN)                            |  | Gasolina | FWD | 1598 | 77                                   | 105 | 05.00-05.05 | * |
| 1.6 16V (AUS)                            |  | Gasolina | FWD | 1598 | 77                                   | 105 | 05.00-05.05 | * |
| 1.6 16V (AZD)                            |  | Gasolina | FWD | 1598 | 77                                   | 105 | 05.00-05.05 | * |
| 1.6 16V (BCB)                            |  | Gasolina | FWD | 1598 | 77                                   | 105 | 05.00-05.05 | * |
| 1.6 FSI (BAD)                            |  | Gasolina | FWD | 1598 | 81                                   | 110 | 01.02-05.05 | * |
| 1.8 T (AGU)                              |  | Gasolina | FWD | 1781 | 110                                  | 150 | 05.00-05.05 | * |
| 1.8 T (ARX)                              |  | Gasolina | FWD | 1781 | 110                                  | 150 | 05.00-05.05 | * |
| 1.8 T (AUM)                              |  | Gasolina | FWD | 1781 | 110                                  | 150 | 05.00-05.05 | * |
| 1.8 T (AWD)                              |  | Gasolina | FWD | 1781 | 110                                  | 150 | 05.00-05.05 | * |
| 1.8 T (AWW)                              |  | Gasolina | FWD | 1781 | 110                                  | 150 | 05.00-05.05 | * |
| 2.0 (AEG)                                |  | Gasolina | FWD | 1984 | 85                                   | 115 | 10.98-12.13 | * |
| 2.0 (APK)                                |  | Gasolina | FWD | 1984 | 85                                   | 115 | 10.98-12.13 | * |
| 2.0 (AQY)                                |  | Gasolina | FWD | 1984 | 85                                   | 115 | 10.98-12.13 | * |
| 2.0 (AVH)                                |  | Gasolina | FWD | 1984 | 85                                   | 115 | 10.98-12.13 | * |
| 2.0 (AZG)                                |  | Gasolina | FWD | 1984 | 85                                   | 115 | 10.98-12.13 | * |
| 2.0 (AZH)                                |  | Gasolina | FWD | 1984 | 85                                   | 115 | 10.98-12.13 | * |
| 2.0 (AZJ)                                |  | Gasolina | FWD | 1984 | 85                                   | 115 | 10.98-12.13 | * |
| 2.0 (BBW)                                |  | Gasolina | FWD | 1984 | 85                                   | 115 | 10.98-12.13 | * |
| 2.0 (BER)                                |  | Gasolina | FWD | 1984 | 85                                   | 115 | 10.98-12.13 | * |
| 2.0 (BEV)                                |  | Gasolina | FWD | 1984 | 85                                   | 115 | 10.98-12.13 | * |
| 2.0 (BHP)                                |  | Gasolina | FWD | 1984 | 85                                   | 115 | 10.98-12.13 | * |
| 2.0 (CBPA)                               |  | Gasolina | FWD | 1984 | 85                                   | 115 | 10.98-12.13 | * |
| 2.0 (CFEA)                               |  | Gasolina | FWD | 1984 | 85                                   | 115 | 10.98-12.13 | * |
| 2.0 (CBPA)                               |  | Gasolina | FWD | 1984 | 85                                   | 116 | 01.05-12.14 | * |
| 2.3 V5 (AGZ)                             |  | Gasolina | FWD | 2324 | 110                                  | 150 | 10.98-10.00 | * |
| 1.9 SDI (AGP)                            |  | Diesel   | FWD | 1896 | 50                                   | 68  | 10.98-05.05 | * |
| 1.9 SDI (AQM)                            |  | Diesel   | FWD | 1896 | 50                                   | 68  | 10.98-05.05 | * |
| 1.9 TDI (AGR)                            |  | Diesel   | FWD | 1896 | 66                                   | 90  | 10.98-05.05 | * |
| 1.9 TDI (ALH)                            |  | Diesel   | FWD | 1896 | 66                                   | 90  | 10.98-05.05 | * |
| 1.9 TDI (ATD)                            |  | Diesel   | FWD | 1896 | 74                                   | 101 | 09.00-05.05 | * |
| 1.9 TDI (AXR)                            |  | Diesel   | FWD | 1896 | 74                                   | 101 | 09.00-05.05 | * |
| 1.9 TDI (BEW)                            |  | Diesel   | FWD | 1896 | 74                                   | 101 | 09.00-05.05 | * |
| 1.9 TDI (AHF)                            |  | Diesel   | FWD | 1896 | 81                                   | 110 | 10.98-06.01 | * |
| 1.9 TDI (ASV)                            |  | Diesel   | FWD | 1896 | 81                                   | 110 | 10.98-06.01 | * |
| 1.9 TDI (AJM)                            |  | Diesel   | FWD | 1896 | 85                                   | 115 | 12.98-01.02 | * |
| 1.9 TDI (AUY)                            |  | Diesel   | FWD | 1896 | 85                                   | 115 | 12.98-01.02 | * |
| 1.9 TDI (ASZ)                            |  | Diesel   | FWD | 1896 | 96                                   | 130 | 11.00-05.05 | * |
| 1.9 TDI (ARL)                            |  | Diesel   | FWD | 1896 | 110                                  | 150 | 05.00-05.05 | * |

# LISTA DE APLICACIONES - BUYERS GUIDE

| <b>BORA Variant / JETTA IV (1J6) 05.99-05.05</b> |          |     |      |     | <b>[CAMBIADO]:Break (Compact car-C Segment)</b> |             |   |  |
|--|----------|-----|------|-----|---|-------------|---|--|
| 1.4 16V (AHW)                                    | Gasolina | FWD | 1390 | 55  | 75  | 09.01-05.05 | * |  |
| 1.4 16V (AXP)                                    | Gasolina | FWD | 1390 | 55  | 75  | 09.01-05.05 | * |  |
| 1.4 16V (BCA)                                    | Gasolina | FWD | 1390 | 55  | 75  | 09.01-05.05 | * |  |
| 1.6 (AEH)  | Gasolina | FWD | 1595 | 74  | 100   | 05.99-05.05 | * |  |
| 1.6 (AKL)  | Gasolina | FWD | 1595 | 74  | 100   | 05.99-05.05 | * |  |
| 1.6 (APF)  | Gasolina | FWD | 1595 | 74  | 100   | 05.99-05.05 | * |  |
| 1.6 (AVU)  | Gasolina | FWD | 1595 | 75  | 102   | 08.00-05.05 | * |  |
| 1.6 (BFQ)  | Gasolina | FWD | 1595 | 75  | 102   | 08.00-05.05 | * |  |
| 1.6 16V (ATN)                                    | Gasolina | FWD | 1598 | 77  | 105   | 02.00-05.05 | * |  |
| 1.6 16V (AUS)                                    | Gasolina | FWD | 1598 | 77  | 105   | 02.00-05.05 | * |  |
| 1.6 16V (AZD)                                    | Gasolina | FWD | 1598 | 77  | 105   | 02.00-05.05 | * |  |
| 1.6 16V (BCB)                                    | Gasolina | FWD | 1598 | 77  | 105   | 02.00-05.05 | * |  |
| 1.6 FSI (BAD)                                    | Gasolina | FWD | 1598 | 81  | 110   | 01.02-05.05 | * |  |
| 1.8 T (AGU)                                      | Gasolina | FWD | 1781 | 110 | 150   | 05.00-05.05 | * |  |
| 1.8 T (ARX)                                      | Gasolina | FWD | 1781 | 110 | 150   | 05.00-05.05 | * |  |
| 1.8 T (AUM)                                      | Gasolina | FWD | 1781 | 110 | 150   | 05.00-05.05 | * |  |
| 1.8 T (AWD)                                      | Gasolina | FWD | 1781 | 110 | 150   | 05.00-05.05 | * |  |
| 1.8 T (AWW)                                      | Gasolina | FWD | 1781 | 110 | 150   | 05.00-05.05 | * |  |
| 2.0 (APK)  | Gasolina | FWD | 1984 | 85  | 115   | 05.99-05.05 | * |  |
| 2.0 (AQY)  | Gasolina | FWD | 1984 | 85  | 115   | 05.99-05.05 | * |  |
| 2.0 (AVH)  | Gasolina | FWD | 1984 | 85  | 115   | 05.99-05.05 | * |  |
| 2.0 (AZG)  | Gasolina | FWD | 1984 | 85  | 115   | 05.99-05.05 | * |  |
| 2.0 (AZH)  | Gasolina | FWD | 1984 | 85  | 115   | 05.99-05.05 | * |  |
| 2.0 (AZJ)  | Gasolina | FWD | 1984 | 85  | 115   | 05.99-05.05 | * |  |
| 2.0 (BEV)  | Gasolina | FWD | 1984 | 85  | 115   | 05.99-05.05 | * |  |
| 2.3 V5 (AGZ)                                     | Gasolina | FWD | 2324 | 110 | 150   | 05.99-10.00 | * |  |
| 1.9 TDI (AGR)                                    | Diesel   | FWD | 1896 | 66  | 90  | 07.04-05.05 | * |  |
| 1.9 TDI (ALH)                                    | Diesel   | FWD | 1896 | 66  | 90  | 07.04-05.05 | * |  |
| 1.9 TDI (ATD)                                    | Diesel   | FWD | 1896 | 74  | 101   | 09.00-05.05 | * |  |
| 1.9 TDI (AXR)                                    | Diesel   | FWD | 1896 | 74  | 101   | 09.00-05.05 | * |  |
| 1.9 TDI (BEW)                                    | Diesel   | FWD | 1896 | 74  | 101   | 09.00-05.05 | * |  |
| 1.9 TDI (AHF)                                    | Diesel   | FWD | 1896 | 81  | 110   | 05.99-06.01 | * |  |
| 1.9 TDI (ASV)                                    | Diesel   | FWD | 1896 | 81  | 110   | 05.99-06.01 | * |  |
| 1.9 TDI (AJM)                                    | Diesel   | FWD | 1896 | 85  | 115   | 05.99-06.01 | * |  |
| 1.9 TDI (AUY)                                    | Diesel   | FWD | 1896 | 85  | 115   | 05.99-06.01 | * |  |
| 1.9 TDI (ASZ)                                    | Diesel   | FWD | 1896 | 96  | 130   | 11.00-05.05 | * |  |
| 1.9 TDI (ARL)                                    | Diesel   | FWD | 1896 | 110 | 150   | 05.01-05.05 | * |  |
| <b>ZOTYE</b>                                     |          |     |      |     |   |             |   |  |
| <b>2008 / 5008 01.06-</b>                        |          |     |      |     | <b>SUV (Compact SUV-J Segment)</b>              |             |   |  |
| 1.3  | Gasolina | RWD | 1299 | 69  | 94  | 01.07-12.10 | * |  |
| 1.5  | Gasolina | RWD | 1488 | 78  | 106   | 01.07-12.11 | * |  |
| 1.6 (XS6400)                                     | Gasolina | RWD | 1584 | 74  | 101   | 01.06-05.15 | * |  |