


# LISTA DE APLICACIONES - BUYERS GUIDE

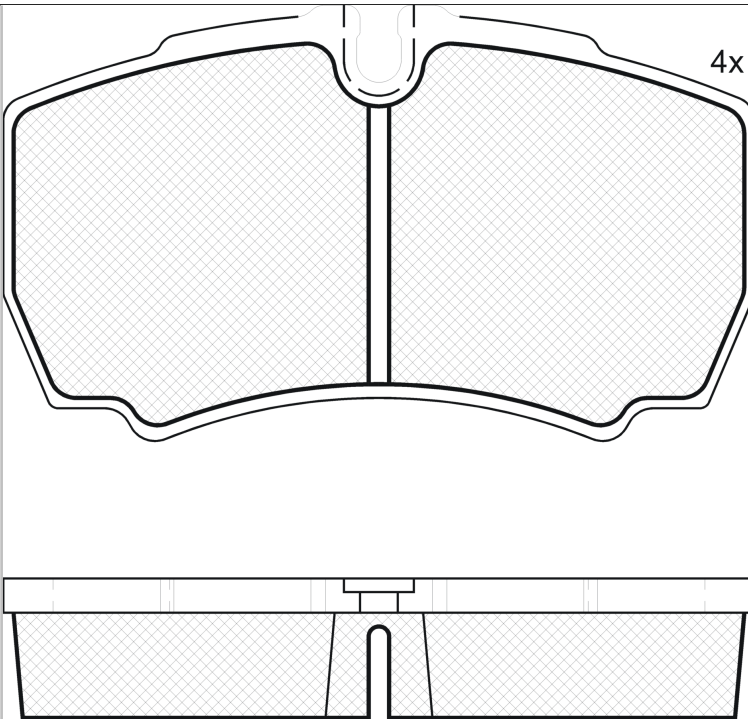
## RB1640



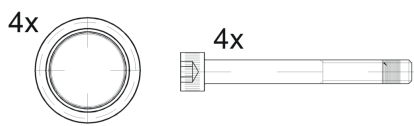
8 424073 132765

Qty: 944      Weight: 1.881

O.E.M.	MAKE
299 1667	IVECO
424 708 41	IVECO
425 554 06	IVECO
425 600 80	IVECO
425 611 01	IVECO
425 611 02	IVECO
425 674 47	IVECO
425 7266 80	IVECO
425 766 80	IVECO
425 766 81	IVECO
500 05565 7	IVECO
504 22694 5	IVECO



4x




4x

2 - 690142 E

## RB1640

E 9 **90R-01110/496**



Brembo

109.6x63.6x20.3

<b>WVA</b> 29123	<b>FMSI</b> D2340-9575
---------------------	---------------------------

Sin Filas



Trac.	CC	Kw	CV					
						Front / Rear		

IVECO								
<b>09.11-02.14</b>								<b>Bus ()</b>
35S17, 40C17, 45C17, 50C17		Diesel	RWD	2998	125	170	09.11-02.14	*
<b>DAILY II 01.89-08.09</b>								<b>[CAMBIADO]:Furgón (LCVs-N1 Segment)</b>
2.8 D		Diesel	RWD	2798	76	103	06.00-05.07	*
2.8 D HM 4180		Diesel	RWD	2798	90	122	06.00-07.07	*
<b>DAILY III 05.99-10.09</b>								<b>[CAMBIADO]:Furgón (LCVs-N1 Segment)</b>
29 L 10 V (ALJA43A2, ALJA42A2, ALJA41A2) (F1AE0481A)		Diesel	RWD	2287	70	95	09.02-07.07	*
35 S 10 (ANJA41A1, ANJA42A2, ANJA42AB, ANJA43A, ANJAV1A,... (F1AE0481A)		Diesel	RWD	2287	70	95	09.02-07.07	*
29 L 12 V (ALKA41A2, ALLA52A2, ALKA42A2) (F1AE0481B)		Diesel	RWD	2287	85	116	09.02-07.07	*
35 C 12 V, 35 S 12 V (AGKA43A2, AGKB43A2, AGKB46A2,... (F1AE0481B)		Diesel	RWD	2287	85	116	09.02-07.07	*
29L14 (F1AE0481M)		Diesel	RWD	2287	100	136	01.05-04.06	*
35 C 14, 35 S 14 (F1AE0481M)		Diesel	RWD	2287	100	136	01.05-04.06	*
29 L 9 V (8140.63)		Diesel	RWD	2798	62	84	05.99-07.07	*
35 S 9 V,35 C 9 V (8140.63)		Diesel	RWD	2798	62	84	05.99-07.07	*
29 L 9 V (8140.43R)		Diesel	RWD	2798	66	90	11.01-04.06	*
35 S 9 V (8140.43R)		Diesel	RWD	2798	66	90	11.01-04.06	*
29 L 11 V (8140.43B)		Diesel	RWD	2798	78	106	05.99-07.07	*
29 L 11 V (8140.43C)		Diesel	RWD	2798	78	106	05.99-07.07	*
35 S 11 V,35 C 11 V (8140.43B)		Diesel	RWD	2798	78	106	05.99-07.07	*
35 S 11 V,35 C 11 V (8140.43C)		Diesel	RWD	2798	78	106	05.99-07.07	*
50 C 11 (8140.43B)		Diesel	RWD	2798	78	106	05.99-07.07	*

# LISTA DE APLICACIONES - BUYERS GUIDE

50 C 11 (8140.43C)	Diesel	RWD	2798	78	106	05.99-07.07	*
29 L 13 (8140.43S)	Diesel	RWD	2798	92	125	05.01-07.07	*
35 S 13 V, 35 C 13 V (8140.43S)	Diesel	RWD	2798	92	125	05.99-07.07	*
50 C 13 (8140.43S)	Diesel	RWD	2798	92	125	05.99-07.07	*
35 S 15 V, 35 C 15 V (A6HCV3B2, A6HBV4B2, A6HC41B2,... (8140.43N)	Diesel	RWD	2798	107	146	11.02-07.07	*
35 C 17, 35 S 17 (F1CE0481B)	Diesel	RWD	2998	122	166	01.05-04.06	*
40 C 17, 40 S 17 (F1CE0481B)	Diesel	RWD	2998	122	166	07.99-12.06	*
2.8 CNG (8149.03)	CNG	RWD	2798	78	106	05.99-07.07	*
<b>DAILY III 05.99-05.06</b>						<b>Bus (Minibus-M2-Segment)</b>	
35 S 12, 35 C 12, 40 C 12 (F1AE0481B)	Diesel	RWD	2287	85	116	01.03-05.06	*
35 S 13, 40 C 13, 50 C 13 (8140.43S)	Diesel	RWD	2798	92	125	05.99-05.06	*
35 S 14, 50 C 14 (ATPA9FH2) (F1CE0481A)	Diesel	RWD	2998	100	136	01.04-05.06	*
35 S 14, 50 C 14 (ATPA9FH2) (F1CE0481E)	Diesel	RWD	2998	100	136	01.04-05.06	*
<b>DAILY III 03.98-10.09</b>						<b>Caja/Chasis (LCVs-N1 Segment)</b>	
29 L 10 (ALJAV1A1, ALJA41AA, ALJA41A1, AHJA64A1,... (F1AE0481A)	Diesel	RWD	2287	70	95	09.02-04.06	*
35 C 10 V, 35 S 10 V (AMJA14A1, AMJA64A1, AMJA65A1,... (F1AE0481A)	Diesel	RWD	2287	70	95	09.02-04.06	*
40 C 10 (AEJB14A1) (F1AE0481A)	Diesel	RWD	2287	70	95	09.02-04.06	*
29 L 12 (ALKA41A1, AHKA64A1, ALLA51A1) (F1AE0481B)	Diesel	RWD	2287	85	116	09.02-04.06	*
35 C 12, 35 S 12 (AEKA14A1, AEKA14AA, AEKA64A1,... (F1AE0481B)	Diesel	RWD	2287	85	116	09.02-04.06	*
29 L 14 (AHRA11C1B1, AHRA14C1B1, AHRA64C1B1) (F1AE0481M)	Diesel	RWD	2287	100	136	11.05-04.06	*
35 C 14, 35 S 14 (F1AE0481M)	Diesel	RWD	2287	100	136	01.05-04.06	*
29 L 9 (8140.63)	Diesel	RWD	2798	62	84	05.99-04.06	*
35 S 9, 35 C 9 (8140.63)	Diesel	RWD	2798	62	84	05.99-04.06	*
29 L 9 (8140.43R)	Diesel	RWD	2798	66	90	11.01-04.06	*
35 C 9, 35 S 9 (8140.43R)	Diesel	RWD	2798	66	90	11.01-04.06	*
29 L 11 (8140.43B)	Diesel	RWD	2798	78	105	05.99-04.06	*
29 L 11 (8140.43C)	Diesel	RWD	2798	78	105	05.99-04.06	*
35 S 11, 35 C 11 (A2FC13AA, A6FBU4AB, A2NB14A1, A2ND13A1,... (8140.43B)	Diesel	RWD	2798	78	106	05.99-04.06	*
35 S 11, 35 C 11 (A2FC13AA, A6FBU4AB, A2NB14A1, A2ND13A1,... (8140.43C)	Diesel	RWD	2798	78	106	05.99-04.06	*
50 C 11 (8140.43B)	Diesel	RWD	2798	78	106	05.99-04.06	*
50 C 11 (8140.43C)	Diesel	RWD	2798	78	106	05.99-04.06	*
29 L 13 (8140.43S)	Diesel	RWD	2798	92	125	11.01-04.06	*
35 S 13, 35 C 13 (8140.43S)	Diesel	RWD	2798	92	125	05.99-04.06	*
50 C 13 (8140.43S)	Diesel	RWD	2798	92	125	05.99-04.06	*
35 C 17, 35 S 17 (F1CE0481B)	Diesel	RWD	2998	122	166	01.05-04.06	*
40 C 17, 40 S 17 (F1CE0481B)	Diesel	RWD	2998	122	166	01.05-04.06	*
<b>DAILY IV 05.06-03.12</b>						<b>[CAMBIADO]:Furgón (LCVs-N1 Segment)</b>	
29L10 V (F1AE0481F)	Diesel	RWD	2287	70	95	05.06-08.11	*
35C10, 35S10 (F1AE0481F)	Diesel	RWD	2287	70	95	05.06-08.11	*
35C11 V, 35S11 V (F1AE0481U)	Diesel	RWD	2287	78	106	07.07-08.11	*
29L12 V, 29L12 V/P (F1AE0481G)	Diesel	RWD	2287	85	116	05.06-08.11	*
35C12 V, 35C12 V/P, 35S12 V, 35S12 V/P (F1AE0481G)	Diesel	RWD	2287	85	116	05.06-08.11	*
35C12 V, 35C12 V/P, 35S12 V, 35S12 V/P (F1AE0481R)	Diesel	RWD	2287	85	116	05.06-08.11	*
35C13 V, 35C13 V/P, 35S13 V, 35S13 V/P (F1AE0481V)	Diesel	RWD	2287	93	126	07.07-08.11	*
29L14 C, 29L14 C/P, 29L14 V, 29L14 V/P (F1AE0481H)	Diesel	RWD	2287	100	136	05.06-08.11	*

# LISTA DE APLICACIONES - BUYERS GUIDE

35S14 C, 35S14 C/P, 35S14 V, 35S14 V/P, 35C14 V,... (F1AE0481H)	Diesel	RWD	2287	100	136	05.06-08.11	*
35C14 V, 35C14 V/P, 35S14 V, 35S14 V/P (F1CE3481L)	Diesel	RWD	2998	103	140	09.09-08.11	*
35S15 (F1CE0481L)	Diesel	RWD	2998	107	145	06.06-08.11	*
35C17 V, 35C17 V/P, 35S17 V, 35S17 V/P (F1CE3481C)	Diesel	RWD	2998	125	170	07.07-08.11	*
55C17 (F1CE3481C)	Diesel	RWD	2998	125	170	08.07-03.12	*
35C18 V, 35C18 V/P, 35S18 V, 35S18 V/P (F1CE0481H)	Diesel	RWD	2998	130	176	05.06-08.11	*
35C14 GV, 35C14 GV/P, 35S14 GV, 35S14 GV/P (F1CE0441A)	CNG	RWD	2998	100	136	07.07-08.11	*
<b>DAILY IV 05.06-12.16</b>						<b>Bus (Minibus-M2-Segment)</b>	
35S14, 35S14 /P (F1AE0481H)	Diesel	RWD	2287	100	136	05.06-08.11	*
35S14 G	CNG	RWD	2998	100	136	07.09-08.11	*
<b>DAILY IV 05.06-03.12</b>						<b>Caja/Chasis (LCVs-N1 Segment)</b>	
29L10 (F1AE0481F)	Diesel	RWD	2287	70	95	05.06-08.11	*
35C10, 35S10 (F1AE0481F)	Diesel	RWD	2287	70	95	05.06-08.11	*
40C10 (F1AE0481F)	Diesel	RWD	2287	70	95	05.06-08.11	*
35C11, 35S11, 35S11 D, 35S11 /P (F1AE0481U)	Diesel	RWD	2287	78	106	07.07-08.11	*
29L12 (F1AE0481G)	Diesel	RWD	2287	85	116	05.06-08.11	*
35C12, 35S12 (F1AE0481G)	Diesel	RWD	2287	85	116	05.06-08.11	*
35C12, 35S12 (F1AE0481R)	Diesel	RWD	2287	85	116	05.06-08.11	*
35C13, 35C13 /P, 35S13 D, 35S13, 35S13 /P (F1AE0481V)	Diesel	RWD	2287	93	126	07.07-08.11	*
29L14 (F1AE0481H)	Diesel	RWD	2287	100	136	05.06-08.11	*
35C14, 35S14, 35S14 /P (F1AE0481H)	Diesel	RWD	2287	100	136	05.06-08.11	*
35C14, 35C14 /P, 35S14, 35S14 /P, 35S14 D, 35S14 D/P (F1CE3481L)	Diesel	RWD	2998	103	140	09.09-08.11	*
3.0 D	Diesel	RWD	2998	114	155	08.08-	*
35C17, 35C17 /P, 35S17, 35S17 /P, 35S17 D (F1CE3481C)	Diesel	RWD	2998	125	170	07.07-08.11	*
35S17 W, 35S17 WD (F1CE3481C)	Diesel	4WD	2998	125	170	07.07-08.11	*
55S17 W, 55S17 WD (F1CE3481C)	Diesel	4WD	2998	125	170	07.07-08.11	*
35C18, 35S18 (F1CE0481H)	Diesel	RWD	2998	130	176	05.06-08.11	*
55S18W (F1CE0481H)	Diesel	4WD	2998	130	177	06.06-08.11	*
35C14 G, 35C14 G/P, 35S14 G, 35S14 G/P, 35C14 GD,... (F1CE0441A)	CNG	RWD	2998	100	136	07.07-08.11	*
<b>DAILY IV 05.06-08.11</b>						<b>Volquete (Volquete-N2 Segment)</b>	
35C11 K, 35C11 DK, 35S11 K, 35S11 DK (F1AE0481U)	Diesel	RWD	2287	78	106	07.07-08.11	*
35C13 K, 35C13 DK, 35S13 K, 35S13 DK (F1AE0481V)	Diesel	RWD	2287	93	126	07.07-08.11	*
35S14 K, 35S14 DK (F1AE0481H)	Diesel	RWD	2287	100	136	07.07-08.11	*
35C14 K, 35C14 DK, 35S14 K, 35S14 DK (F1CE3481L)	Diesel	RWD	2998	103	140	09.09-08.11	*
35C17 K, 35C17 DK, 35S17 K, 35S17 DK (F1CE3481C)	Diesel	RWD	2998	125	170	07.07-08.11	*
<b>DAILY V 09.11-02.14</b>						<b>[CAMBIADO]:Furgón (LCVs-N1 Segment)</b>	
35S60E Electric	Eléctrico	RWD		60	82	09.11-02.14	*
29S11, 29L11, 35C11, 35S11, 40C11 (F1AE3481A)	Diesel	RWD	2287	78	106	09.11-02.14	*
29S13, 29L13, 35C13, 35S13, 40C13, 40S13 (F1AE3481B)	Diesel	RWD	2287	93	126	09.11-02.14	*
29L15 V, 35S15 V, 35C15L V, 40C15L V, 50C15L V (F1AE3481C)	Diesel	RWD	2287	107	146	09.11-02.14	*
35C15 V, 40C15 V, 45C15 V, 50C15 V, 60C15 V, 65C15 V (F1CE3481B)	Diesel	RWD	2998	107	146	09.11-02.14	*
35C15 V, 40C15 V, 45C15 V, 50C15 V, 60C15 V, 65C15 V (F1CE3481J)	Diesel	RWD	2998	107	146	09.11-02.14	*

# LISTA DE APLICACIONES - BUYERS GUIDE

35S14 (F1CE3481L)		Diesel	RWD	2998	110	150	04.12-02.14	*	
35C17, 35S17, 40C17, 45C17, 50C17, 60C17, 65C17, 70C17 (F1CE3481C)		Diesel	RWD	2998	125	170	09.11-02.14	*	
35C17, 35S17, 40C17, 45C17, 50C17, 60C17, 65C17, 70C17 (F1CE3481K)		Diesel	RWD	2998	125	170	09.11-02.14	*	
35C21 V, 35S21 V, 40C21 V, 45C21 V, 50C21 V (F1CE3481D)		Diesel	RWD	2998	150	204	09.11-02.14	*	
NaturalPower 35S14, 35C14, 40C14, 50C14, 65C14, 70C14 (F1CE0441A)		CNG	RWD	2998	100	136	09.11-02.14	*	
<b>DAILY V 09.11-02.14</b>					<b>Caja/Chasis (LCVs-N1 Segment)</b>				
35S60E Electric		Eléctrico	RWD		60	82	09.11-02.14	*	
50C80E Electric		Eléctrico	RWD		80	109	09.11-02.14	*	
26L11, 29L11, 29S11, 35C11D, 35S11, 40C11 (F1AE3481A)		Diesel	RWD	2287	78	106	09.11-02.14	*	
29S13, 29L13, 29L13D, 35S13, 35C13D, 40C13 (F1AE3481B)		Diesel	RWD	2287	93	126	09.11-02.14	*	
29L15, 35S15, 35C15, 40C15, 50C15 (F1AE3481C)		Diesel	RWD	2287	107	146	09.11-02.14	*	
35C15, 35S15, 40C15, 45C15, 50C15, 60C15, 65C15, 70C15 (F1CE3481B)		Diesel	RWD	2998	107	146	09.11-02.14	*	
35C15, 35S15, 40C15, 45C15, 50C15, 60C15, 65C15, 70C15 (F1CE3481J)		Diesel	RWD	2998	107	146	09.11-02.14	*	
35C17, 35S17, 40C17, 45C17, 50C17, 60C17, 65C17, 70C17 (F1CE3481C)		Diesel	RWD	2998	125	170	09.11-02.14	*	
35C17, 35S17, 40C17, 45C17, 50C17, 60C17, 65C17, 70C17 (F1CE3481K)		Diesel	RWD	2998	125	170	09.11-02.14	*	
35C21, 35S21, 40C21, 45C21, 50C21, 60C21, 65C21, 70C21 (F1CE3481D)		Diesel	RWD	2998	150	205	09.11-02.14	*	
NaturalPower 35S14, 35C14, 40C14, 50C14, 65C14, 70C14 (F1CE0441A)		CNG	RWD	2998	100	136	09.11-02.14	*	
<b>DAILY V 09.11-02.14</b>					<b>Volquete (Volquete-N2 Segment)</b>				
35C11K, 35S11DKP (F1AE3481A)		Diesel	RWD	2287	78	106	09.11-02.14	*	
35C13K, 35S13DKP (F1AE3481B)		Diesel	RWD	2287	93	126	09.11-02.14	*	
35C15K, 35S15DKP, 50C15K, 60C15K, 65C15DK, 70C15K (F1CE3481B)		Diesel	RWD	2998	107	146	09.11-02.14	*	
35C17K, 35S17DKP, 50C17K, 65C17DK 70C17K (F1CE3481C)		Diesel	RWD	2998	125	170	09.11-02.14	*	
35C17K, 35S17DKP, 50C17K, 65C17DK 70C17K (F1CE3481K)		Diesel	RWD	2998	125	170	09.11-02.14	*	
35S21DKP		Diesel	RWD	2998	150	205	09.11-02.14	*	
<b>DAILY VI 03.14-</b>					<b>[CAMBIADO]:Furgón (LCVs-N1 Segment)</b>				
3.0 Natural Power 33S_, 35S_, 35C_, 40C_, 50C_, 65C_, 70C_		Gasolina	FWD	2998	78	106	03.14-	*	
3.0 Natural Power 33S_, 35S_, 35C_, 40C_, 50C_, 65C_, 70C_		Gasolina	FWD	2998	150	205	03.14-	*	
35S/E		Eléctrico	RWD		60	82	09.16-	*	
35S60E		Eléctrico	RWD		60	82	10.15-	*	
33S11, 35S11, 35C11 (F1AFL411A)		Diesel	RWD	2287	78	106	03.14-07.21	*	
33S12, 35S12 (F1AGL411H)		Diesel	RWD	2287	85	116	04.16-	*	
33S12, 35S12, 35C12 (F1AGL411H)		Diesel	RWD	2287	85	116	04.16-	*	
33S13, 35S13, 35C13 (F1AFL411B)		Diesel	RWD	2287	93	126	03.14-	*	
33S14, 35S14 (F1AGL411J)		Diesel	RWD	2287	100	136	04.16-	*	
33S14, 35S14, 35C14, 42S14 (F1AGL411J)		Diesel	RWD	2287	100	136	04.16-	*	
33S15, 35S15, 35C15 (F1AFL411C)		Diesel	RWD	2287	107	146	03.14-	*	
33S16, 35S16 (F1AGL411G)		Diesel	RWD	2287	115	156	04.16-	*	
33S16, 35S16, 35C16, 38S16, 40C16, 42S16, 50C16 (F1AGL411G)		Diesel	RWD	2287	115	156	04.16-	*	
35S15, 35C15, 40C15, 45C15, 50C15, 65C15, 70C15 (F1CE3481J)		Diesel	RWD	2998	107	146	03.14-	*	
35S15, 35C15, 40C15, 45C15, 50C15, 65C15, 70C15 (F1CFL411E)		Diesel	RWD	2998	107	146	03.14-	*	
35S15, 35C15, 40C15, 45C15, 50C15, 65C15, 70C15 (F1CFL411J)		Diesel	RWD	2998	107	146	03.14-	*	

## LISTA DE APLICACIONES - BUYERS GUIDE

35S15, 35C15, 40C15, 50C15, 60C15, 65C15, 70C15	Diesel	RWD	2998	110	150	04.16-	*
50C16	Diesel	RWD	2998	114	155	03.14-	*
35S17, 35C17, 40C17, 50C17, 55C17, 60C17, 65C17, 70C17 (F1CFL411F)	Diesel	RWD	2998	125	170	03.14-	*
35S17, 35C17, 40C17, 50C17, 55C17, 60C17, 65C17, 70C17 (F1CFL411H)	Diesel	RWD	2998	125	170	03.14-	*
35S18, 35C18, 40C18, 50C18, 60C18, 65C18, 70C18	Diesel	RWD	2998	132	180	04.16-	*
35S18, 35C18, 40C18, 50C18, 60C18, 65C18, 70C18	Diesel	RWD	2998	132	180	04.16-	*
35S21, 35C21, 40C21, 50C21, 60C21, 65C21, 70C21 (F1CFL411G)	Diesel	RWD	2998	150	204	03.14-	*
35S21, 35C21, 40C21, 50C21, 60C21, 65C21, 70C21 (F1CGL411C)	Diesel	RWD	2998	150	204	03.14-	*
35S21, 35C21, 40C21, 50C21, 60C21, 65C21, 70C21	Diesel	RWD	2998	155	211	04.19-	*
NaturalPower 35S14, 35C14, 40C14, 50C14, 65C14, 70C14 (F1CFA401A)	CNG	RWD	2998	100	136	03.14-	*
NaturalPower 35S14, 35C14, 40C14, 50C14, 65C14, 70C14 (F1CFA401B)	CNG	RWD	2998	100	136	03.14-	*
NaturalPower 35S14, 35C14, 40C14, 50C14, 65C14, 70C14	CNG	RWD	2998	100	136	04.16-	*
<b>DAILY VI (40C_, 65C_, 70C_, 35C_, 35S_, 50C_, 33S_) 03.14-</b>				<b>Caja/Chasis (LCVs-N1 Segment)</b>			
35S60E, 35C60E	Eléctrico	RWD		60	82	10.15-	*
33S11, 35S11, 35C11 (F1AFL411A)	Diesel	RWD	2287	78	106	03.14-07.21	*
33S12, 35S12, 35C12 (F1AGL411H)	Diesel	RWD	2287	85	116	04.16-	*
33S13, 35S13, 35C13 (F1AFL411B)	Diesel	RWD	2287	93	126	03.14-	*
33S14, 35S14, 35C14, 38S14 (F1AGL411J)	Diesel	RWD	2287	100	136	04.16-	*
33S15, 35S15, 35C15 (F1AFL411C)	Diesel	RWD	2287	107	146	03.14-	*
33S16, 35S16, 35C16, 40C16, 42S16, 50C16 (F1AGL411G)	Diesel	RWD	2287	115	156	04.16-	*
35S14, 35S15, 35C15, 40S14, 40C15, 50C15, 60C5, 65C15,... (F1CE3481J)	Diesel	RWD	2998	107	146	03.14-	*
35S14, 35S15, 35C15, 40S14, 40C15, 50C15, 60C5, 65C15,... (F1CFL411E)	Diesel	RWD	2998	107	146	03.14-	*
35S14, 35S15, 35C15, 40S14, 40C15, 50C15, 60C5, 65C15,... (F1CFL411J)	Diesel	RWD	2998	107	146	03.14-	*
35S15, 35C15, 40C15, 50C15, 60C15, 65C15, 70C15	Diesel	RWD	2998	110	150	04.16-	*
35S16, 35C16, 40C16, 42S16, 50C16, 60C16, 65C16, 70C16	Diesel	RWD	2998	118	160	04.19-	*
35S17, 35C17, 40C17, 45S17, 45C17, 50C17, 60C17, 65C17,... (F1CFL411F)	Diesel	RWD	2998	125	170	03.14-	*
35S17, 35C17, 40C17, 45S17, 45C17, 50C17, 60C17, 65C17,... (F1CFL411H)	Diesel	RWD	2998	125	170	03.14-	*
35S17, 55S17 4x4 (F1CFL411F)	Diesel	4WD	2998	125	170	03.14-	*
35S18, 35C18, 40C18, 45C18, 50C18, 60C18, 65C18, 70C18 (F1CFL411W)	Diesel	RWD	2998	132	180	04.16-	*
35S18, 35C18, 40C18, 45C18, 50C18, 60C18, 65C18, 70C18 (F1CGL411B)	Diesel	RWD	2998	132	180	04.16-	*
35S21, 35C21, 40C21, 45C21, 50C21, 60C21, 65C21, 70C21 (F1CFL411G)	Diesel	RWD	2998	150	204	03.14-	*
35S21, 35C21, 40C21, 45C21, 50C21, 60C21, 65C21, 70C21 (F1CGL411C)	Diesel	RWD	2998	150	204	03.14-	*
35C21, 35S21, 40C21, 50C21, 60C21, 65C21, 70C21	Diesel	RWD	2998	155	211	04.19-	*
NaturalPower 35S14, 35C14, 40C14, 50C14, 65C14, 70C14 (F1CFA401A)	CNG	RWD	2998	100	136	03.14-	*
<b>DAILY VI CITYS 03.14-</b>				<b>Bus (Minibus-M2-Segment)</b>			
40C15, 50C15, 60C15 (F1CE3481J)	Diesel	RWD	2998	107	146	03.14-	*
40C15, 50C15, 60C15 (F1CFL411E)	Diesel	RWD	2998	107	146	03.14-	*
40C17, 50C17, 60C17 (F1CFL411F)	Diesel	RWD	2998	125	170	03.14-	*

## LISTA DE APLICACIONES - BUYERS GUIDE

<b>DAILY VI LINE 06.14-</b>					<b>Bus (Minibus-M2-Segment)</b>			
40C15, 50C15, 60C15 (F1CE3481J)	Diesel	RWD	2998	107	146	06.14-10.16	*	
40C15, 50C15, 60C15 (F1CFL411E)	Diesel	RWD	2998	107	146	06.14-10.16	*	
40C17, 50C17, 60C17 (F1CFL411F)	Diesel	RWD	2998	125	170	06.14-10.16	*	
50C14 Natural Power (F1CFA401A)	CNG	RWD	2998	100	136	06.14-	*	
<b>DAILY VI TOURYS 06.14-</b>					<b>Bus (Minibus-M2-Segment)</b>			
50C17, 65C17 (F1CFL411F)	Diesel	RWD	2998	125	170	06.14-10.16	*	