

LISTA DE APLICACIONES - BUYERS GUIDE

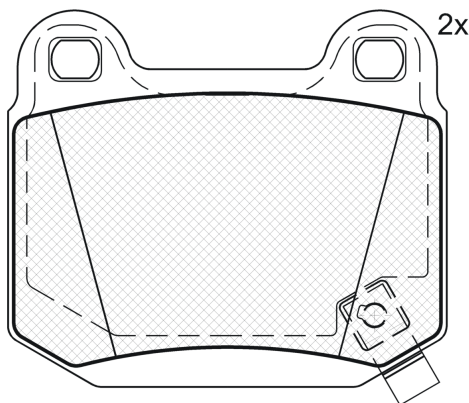
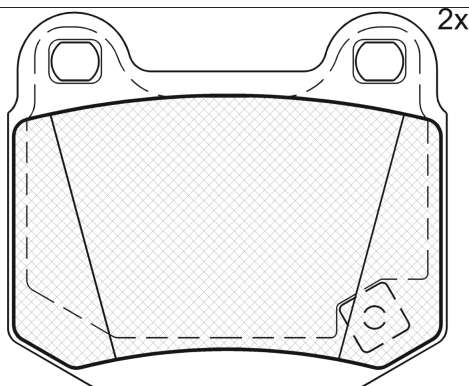
RB1634



Qty: 944

Weight: 950

O.E.M.	MAKE
26696-FE000	SUBARU
26696-FE001	SUBARU
26696-FE080	SUBARU
26696-FG000	SUBARU
44060-CD026	NISSAN
44060-CD094	INFINITI
44060-EB323	NISSAN
46 05A 050	MITSUBISHI
46 05C 034	MITSUBISHI
D4060-CD01B	NISSAN
D40F0-CD00B	NISSAN
D40F0-CD01B	NISSAN
D40F0-CD026	NISSAN
D40F0-CD094	NISSAN
D4MFM-CD01J	NISSAN
MR 407 391	MITSUBISHI
SU003-07219	TOYOTA



RB1634

E 9 90R-01110/1154



Brembo

76.56x65.63x14.6

WVA	FMSI
21580	D961-7859
23323	

Sin Filas



Trac.	CC	Kw	CV			Front / Rear
-------	----	----	----	--	--	--------------

INFINITI

G III (V35 U.S.A.) 09.02-12.07				Coupé (Compact executive car-D Segment)			
3.5 (VQ35DE)	Gasolina	RWD	3498	191	260	01.03-12.06	*
G III (V35) 08.02-				Sedán (Compact executive car-D Segment)			
35 (VQ35DE)	Gasolina	RWD	3498	191	260	10.02-	*

MITSUBISHI

LANCER III-IV (CJ_, CP_, CK_) 09.95-12.03				Sedán (Compact car-C Segment)			
EVO VI (CP9A) (4G63 TURBO)	Gasolina	4WD	1997	206	280	01.99-02.01	*
LANCER IV / CEDIA (CS_A, CT_A) 01.00-12.13				Sedán (Compact car-C Segment)			
EVO VIII - 260 (CT9A) (4G63 TURBO)	Gasolina	4WD	1997	195	265	03.04-07.05	*
EVO IX (CT9A) (4G63 TURBO)	Gasolina	4WD	1997	206	280	01.05-09.07	*
EVO VII (CT9A) (4G63 TURBO)	Gasolina	4WD	1997	206	280	01.01-01.03	*
EVO VIII (CT9A) (4G63 TURBO)	Gasolina	4WD	1997	206	280	04.03-03.05	*
EVO IX (CT9A) (4G63 TURBO)	Gasolina	4WD	1997	213	290	08.05-09.06	*
EVO VIII - FQ-300 (CT9A) (4G63 TURBO)	Gasolina	4WD	1997	225	305	04.03-04.04	*
EVO IX - FQ-300 (CT9A) (4G63 TURBO)	Gasolina	4WD	1997	227	309	06.05-12.06	*
EVO VIII - FQ-300 (CT9A) (4G63 TURBO)	Gasolina	4WD	1997	227	309	04.03-04.04	*
EVO VIII - FQ-320 (CT9A) (4G63 TURBO)	Gasolina	4WD	1997	243	330	04.04-08.06	*
EVO VIII - FQ-330 (CT9A) (4G63 TURBO)	Gasolina	4WD	1997	246	334	10.03-08.06	*
EVO VIII - FQ-340 (CT9A) (4G63 TURBO)	Gasolina	4WD	1997	255	347	04.04-03.05	*
EVO IX - FQ-340 (CT9A) (4G63 TURBO)	Gasolina	4WD	1997	257	350	06.05-12.07	*
EVO IX	Gasolina	4WD	1997	269	366	07.06-10.08	*
EVO IX - FQ-360 (CT9A) (4G63 TURBO)	Gasolina	4WD	1997	273	371	07.06-12.07	*

LISTA DE APLICACIONES - BUYERS GUIDE

EVO VIII - FQ-400 (CT9A) (4G63 TURBO)	Gasolina	4WD	1997	302	411	10.04-08.06	*
NISSAN							
350 Z / FAIRLADY Z (Z33) 09.02-				Coupé (Compact car-C Segment)			
3.5 V6 24V 18"	Gasolina	FWD	3495	225	306	09.02-	*
3.5 (AAZ33) (VQ35DE)	Gasolina	RWD	3498	206	280	10.03-12.06	*
3.5 (VQ35DE)	Gasolina	RWD	3498	214	291	11.04-01.07	*
3.5 (AAZ33) (VQ35DE)	Gasolina	RWD	3498	221	301	09.02-12.08	*
3.5 (BAZ33) (VQ35HR)	Gasolina	RWD	3498	230	313	09.05-12.08	*
350Z / FAIRLADY Z (Z33) 09.02-12.09				Cabrió (Compact car-C Segment)			
3.5 (AAZ33) (VQ35DE)	Gasolina	RWD	3498	206	280	03.05-12.07	*
3.5 (AAZ33) (VQ35DE)	Gasolina	RWD	3498	221	301	11.04-01.07	*
3.5 (BAZ33) (VQ35HR)	Gasolina	RWD	3498	230	313	09.05-12.09	*
SKYLINE VII (R31) 08.85-12.90				[CAMBIADO]:Break (Executive car-E Segment)			
3.0 Turbo	Gasolina	FWD	2995			08.85-	*
SUBARU							
BRZ (ZC6) 06.12-				Coupé (Sports car-S Segment)			
2.0 (ZC6) (FA20D)	Gasolina	RWD	1998	147	200	06.12-	*
FORESTER IV (SJ_) 11.12-				SUV (Compact SUV-J Segment)			
2.0 D AWD (SJD) (EE20Z)	Diesel	4WD	1998	108	147	03.13-	*
IMPREZA II (GD) 09.99-				Sedán (Compact car-C Segment)			
2.0 WRX STi AWD (GDB) (EJ207)	Gasolina	4WD	1994	195	265	11.01-07.05	*
2.0 WRX STi Prodrive Performance Package AWD (EJ207)	Gasolina	4WD	1994	224	305	04.01-10.02	*
2.0 WRX STi AWD (EJ207)	Gasolina	4WD	1994	235	320	02.04-07.05	*
2.5 WRX STi AWD (GDF) (EJ257)	Gasolina	4WD	2457	206	280	09.05-12.07	*
2.5 AWD (GDF) (EJ257)	Gasolina	4WD	2457	221	300	10.05-03.07	*
IMPREZA III (GR, GH, G3) 03.07-				[CAMBIADO]:Fastback (Compact car-C Segment)			
2.5 WRX S AWD (EJ255)	Gasolina	4WD	2457	188	255	02.09-12.10	*
2.5 WRX STi AWD (GRF) (EJ257)	Gasolina	4WD	2457	221	301	01.08-08.13	*
2.5 AWD	Gasolina	4WD	2457	228	310	09.10-08.13	*
2.5 STi CS400 AWD (GRF) (EJ257)	Gasolina	4WD	2457	294	400	04.10-08.13	*
IMPREZA III (GE, GV) 01.07-				Sedán (Compact car-C Segment)			
2.5 WRX STi AWD (GVF) (EJ257)	Gasolina	4WD	2457	221	301	01.11-	*
2.5 AWD (GVB)	Gasolina	4WD	2457	228	310	09.10-12.15	*
2.5 AWD (EJ257)	Gasolina	4WD	2457	235	320	02.07-12.07	*
IMPREZA IV / WRX (GJ_) 07.11-				Sedán (Compact car-C Segment)			
2.5 WRX SE	Gasolina	FWD	2457	195	265	06.12-	*
2.5 WRX STi	Gasolina	FWD	2457	224	305	06.12-	*
2.5 WRX	Gasolina	FWD	2458	171	233	09.12-	*
WRX / IMPREZA IV (GP) 10.10-12.14				[CAMBIADO]:Fastback (Compact car-C Segment)			
STi 2.5 AWD	Gasolina	4WD	2457	221	300	10.10-12.14	*
WRX / IMPREZA IV (GJ) 07.11-				Sedán (Compact car-C Segment)			
STi 2.5 AWD (EJ257)	Gasolina	4WD	2457	221	301	06.14-	*
TOYOTA							
GT 86 / 86 / TOYOTA 86 (ZN6_) 03.12-				Coupé (Sports car-S Segment)			
2.0 GT (ZN6EY_)	Gasolina	FWD	1998	153	208	08.16-	*