

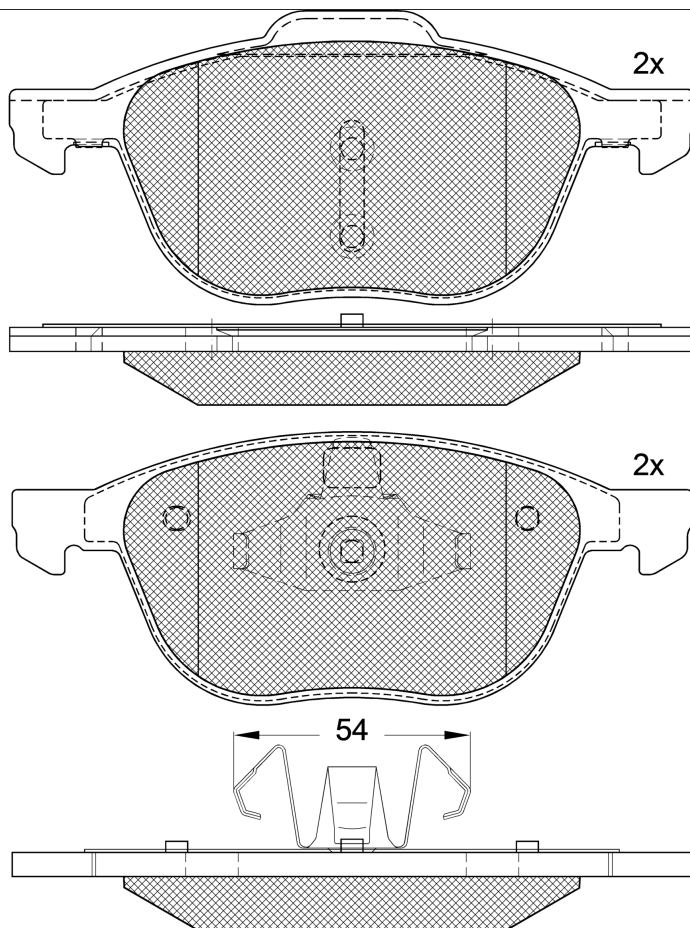
LISTA DE APLICACIONES - BUYERS GUIDE

RB1617



Qty: 300

Weight: 1.926



RB1617



90R-01111/947

Ate - Teves

155.1x62.3x18.4
156.35x67x18.4

WVA	FMSI
23723	D1044-7947
23724	D1230-7947

Sin Filas

O.E.M.	MAKE
1 223 682	FORD
1 321 517	FORD
1 508 074	FORD
1 519 528	FORD
1 695 810	FORD
1 712 024	FORD
1 820 037	FORD
3 074 203 0	VOLVO
3M51-2K021-AA	FORD
3M51-2K021-AB	FORD
3M5J-0K021-A1A	FORD
4S4Z-2001-AA	FORD
8V41-2K021-AA	FORD
AV61-2K021-BA	FORD
AV61-2K021-BB	FORD
B3YH-33-23Z	MAZDA
B3YH-33-23ZA	MAZDA
B4YB-33-23Z	MAZDA
BPYK-33-23Z	MAZDA
BPYK-33-23ZA	MAZDA
BPYK-33-23-ZB9C	MAZDA
BPYK-33-23ZC	MAZDA
C2Y3-33-23ZA	MAZDA
CV61-2001-BC	FORD
MEAV6J-2K021-BA	FORD



Trac.	CC	Kw	CV
-------	----	----	----



Front / Rear

FORD

C-MAX (DM2) 02.07-09.10

MPV (Compact MPV-M1 Segment)

Model	Fuel	Trac.	CC	Kw	CV	Period	Notes
1.6 (HWDA)	Gasolina	FWD	1596	74	100	02.07-09.10	*
1.6 (HWDB)	Gasolina	FWD	1596	74	100	02.07-09.10	*
1.6 (SHDA)	Gasolina	FWD	1596	74	100	02.07-09.10	*
1.6 (SHDB)	Gasolina	FWD	1596	74	100	02.07-09.10	*
1.6 (SHDC)	Gasolina	FWD	1596	74	100	02.07-09.10	*
1.6 (HXDA)	Gasolina	FWD	1596	85	116	04.07-09.10	*
1.6 (HXDB)	Gasolina	FWD	1596	85	116	04.07-09.10	*
1.6 (SIDA)	Gasolina	FWD	1596	85	116	04.07-09.10	*
1.8 (QQDC)	Gasolina	FWD	1798	90	122	02.07-09.10	*
1.8 (QQDA)	Gasolina	FWD	1798	92	125	02.07-09.10	*
1.8 (QQDB)	Gasolina	FWD	1798	92	125	02.07-09.10	*
2.0 (AODA)	Gasolina	FWD	1999	107	145	02.07-09.10	*
2.0 (AODB)	Gasolina	FWD	1999	107	145	02.07-09.10	*
2.0 (AODE)	Gasolina	FWD	1999	107	145	02.07-09.10	*
2.0 (SYDA)	Gasolina	FWD	1999	107	145	02.07-09.10	*
2.0 LPG (SYDA)	Gasol./Gas (LPG)	FWD	1999	107	145	06.08-09.10	*
2.0 CNG (SYDA)	Gasol./Gas (CNG)	FWD	1999	107	145	04.09-09.10	*
1.8 Flexifuel (Q7DA)	Gasol./Etanol	FWD	1798	92	125	02.07-09.10	*
1.6 TDCi (GPDA)	Diesel	FWD	1560	66	90	02.07-09.10	*
1.6 TDCi (HHDA)	Diesel	FWD	1560	66	90	02.07-09.10	*
1.6 TDCi (HHDB)	Diesel	FWD	1560	66	90	02.07-09.10	*

LISTA DE APLICACIONES - BUYERS GUIDE

1.6 TDCi (G8DC)		Diesel	FWD	1560	74	101	02.07-09.10	*	
1.6 TDCi (MTDA)		Diesel	FWD	1560	74	101	02.07-09.10	*	
1.6 TDCi (G8DA)		Diesel	FWD	1560	80	109	02.07-09.10	*	
1.6 TDCi (G8DB)		Diesel	FWD	1560	80	109	02.07-09.10	*	
1.6 TDCi (G8DD)		Diesel	FWD	1560	80	109	02.07-09.10	*	
1.8 TDCi (KKDA)		Diesel	FWD	1753	85	115	02.07-09.10	*	
1.8 TDCi (KKDB)		Diesel	FWD	1753	85	115	02.07-09.10	*	
2.0 TDCi (IXDA)		Diesel	FWD	1997	81	110	02.08-09.10	*	
2.0 TDCi (G6DC)		Diesel	FWD	1997	98	133	02.07-09.10	*	
2.0 TDCi (G6DE)		Diesel	FWD	1997	98	133	02.07-09.10	*	
2.0 TDCi (G6DF)		Diesel	FWD	1997	98	133	02.07-09.10	*	
2.0 TDCi (G6DA)		Diesel	FWD	1997	100	136	02.07-09.10	*	
2.0 TDCi (G6DB)		Diesel	FWD	1997	100	136	02.07-09.10	*	
2.0 TDCi (G6DD)		Diesel	FWD	1997	100	136	02.07-09.10	*	
2.0 TDCi (G6DG)		Diesel	FWD	1997	100	136	02.07-09.10	*	
C-MAX II 10.10-							Furgoneta/MPV (LCVs-N1 Segment)		
1.0 EcoBoost (M2DA)		Gasolina	FWD	998	74	100	10.12-06.19	*	
1.0 EcoBoost (M2DC)		Gasolina	FWD	998	74	100	10.12-06.19	*	
1.0 EcoBoost (B7DA)		Gasolina	FWD	998	92	125	10.12-06.19	*	
1.0 EcoBoost (M1DA)		Gasolina	FWD	998	92	125	10.12-06.19	*	
1.0 EcoBoost (M1DD)		Gasolina	FWD	998	92	125	10.12-06.19	*	
1.5 EcoBoost (M8DB)		Gasolina	FWD	1498	110	150	03.15-06.19	*	
1.5 EcoBoost (M9DB)		Gasolina	FWD	1498	134	182	03.15-06.19	*	
1.6 Ti		Gasolina	FWD	1596	77	105	10.10-06.19	*	
1.6 EcoBoost (JQDA)		Gasolina	FWD	1596	110	150	12.10-06.19	*	
1.6 EcoBoost (JQDB)		Gasolina	FWD	1596	110	150	12.10-06.19	*	
1.6 EcoBoost		Gasolina	FWD	1596	134	182	12.10-06.19	*	
1.5 TDCi ECOnetic (AEDA)		Diesel	FWD	1499	77	105	03.15-06.19	*	
1.5 TDCi (XWDA)		Diesel	FWD	1499	88	120	03.15-06.19	*	
1.5 TDCi (XWDB)		Diesel	FWD	1499	88	120	03.15-06.19	*	
1.5 TDCi (XWDC)		Diesel	FWD	1499	88	120	03.15-06.19	*	
1.5 TDCi (XWDD)		Diesel	FWD	1499	88	120	03.15-06.19	*	
1.5 TDCi (XWDE)		Diesel	FWD	1499	88	120	03.15-06.19	*	
1.6 TDCi (T3DA)		Diesel	FWD	1560	70	95	12.10-06.19	*	
1.6 TDCi (T3DB)		Diesel	FWD	1560	70	95	12.10-06.19	*	
1.6 TDCi (T1DA)		Diesel	FWD	1560	85	115	12.10-06.19	*	
1.6 TDCi (T1DB)		Diesel	FWD	1560	85	115	12.10-06.19	*	
2.0 TDCi (TYDA)		Diesel	FWD	1997	85	115	02.11-06.19	*	
2.0 TDCi (UFDB)		Diesel	FWD	1997	103	140	02.11-06.19	*	
2.0 TDCi (T7DB)		Diesel	FWD	1997	110	150	03.15-06.19	*	
2.0 TDCi (T7DC)		Diesel	FWD	1997	110	150	03.15-06.19	*	
2.0 TDCi (TXDB)		Diesel	FWD	1997	120	163	12.10-06.19	*	
2.0 TDCi (T8DE)		Diesel	FWD	1997	125	170	03.15-06.19	*	
C-MAX II (DXA/CB7, DXA/CEU) 04.10-							MPV (Compact MPV-M1 Segment)		
1.0 EcoBoost (M2DA)		Gasolina	FWD	998	74	100	10.12-06.19	*	
1.0 EcoBoost (M2DC)		Gasolina	FWD	998	74	100	10.12-06.19	*	
1.0 EcoBoost (B7DA)		Gasolina	FWD	998	92	125	10.12-06.19	*	
1.0 EcoBoost (M1DA)		Gasolina	FWD	998	92	125	10.12-06.19	*	
1.0 EcoBoost (M1DD)		Gasolina	FWD	998	92	125	10.12-06.19	*	
1.0 EcoBoost		Gasolina	FWD	999	74	101	07.18-06.19	*	
1.0 EcoBoost		Gasolina	FWD	999	92	125	07.18-06.19	*	

LISTA DE APLICACIONES - BUYERS GUIDE

1.5 EcoBoost (M8DB)		Gasolina	FWD	1498	110	150	03.15-06.19	*
1.5 EcoBoost (M9DB)		Gasolina	FWD	1498	134	182	03.15-06.19	*
1.6 Ti (XTDA)		Gasolina	FWD	1596	63	85	12.10-06.19	*
1.6 Ti (XTDB)		Gasolina	FWD	1596	63	85	12.10-06.19	*
1.6 Ti (IQDA)		Gasolina	FWD	1596	77	105	12.10-06.19	*
1.6 Ti (IQDB)		Gasolina	FWD	1596	77	105	12.10-06.19	*
1.6 Ti (MUDA)		Gasolina	FWD	1596	88	120	02.12-06.19	*
1.6 Ti (MUDD)		Gasolina	FWD	1596	88	120	02.12-06.19	*
1.6 Ti (PNDA)		Gasolina	FWD	1596	92	125	12.10-06.19	*
1.6 Ti (PNDD)		Gasolina	FWD	1596	92	125	12.10-06.19	*
1.6 EcoBoost (JQDA)		Gasolina	FWD	1596	110	150	12.10-06.19	*
1.6 EcoBoost (JQDB)		Gasolina	FWD	1596	110	150	12.10-06.19	*
1.6 EcoBoost (JTDA)		Gasolina	FWD	1596	134	182	12.10-06.19	*
1.6 EcoBoost (JTDB)		Gasolina	FWD	1596	134	182	12.10-06.19	*
1.6 LPG (MUDA)		Gasol./Gas (LPG)	FWD	1596	86	117	02.12-06.19	*
1.6 LPG (MUDD)		Gasol./Gas (LPG)	FWD	1596	86	117	02.12-06.19	*
1.6 LPG (MUDA)		Gasol./Gas (LPG)	FWD	1596	88	120	02.12-06.19	*
1.6 LPG (MUDD)		Gasol./Gas (LPG)	FWD	1596	88	120	02.12-06.19	*
1.6 CNG (MUDA)		Gasol./Gas (CNG)	FWD	1596	86	117	01.13-12.14	*
1.6 Flexifuel (MUDA)		Gasol./Etanol	FWD	1596	88	120	02.11-06.19	*
1.6 Flexifuel (MUDD)		Gasol./Etanol	FWD	1596	88	120	02.11-06.19	*
2.0 Energi (UADA)		Gasol./eléc.	FWD	1999	103	140	01.15-06.19	*
2.0 Energi (UADA)		Gasol./eléc.	FWD	1999	136	185	01.15-06.19	*
2.0 Hybrid		Gasol./eléc.	FWD	1999	140	190	09.12-	*
1.5 TDCi (XXDA)		Diesel	FWD	1499	70	95	03.15-06.19	*
1.5 TDCi (XXDC)		Diesel	FWD	1499	70	95	03.15-06.19	*
1.5 TDCi (XXDD)		Diesel	FWD	1499	70	95	03.15-06.19	*
1.5 TDCi ECOnetic (AEDA)		Diesel	FWD	1499	77	105	03.15-06.19	*
1.5 TDCi (XWDA)		Diesel	FWD	1499	88	120	03.15-06.19	*
1.5 TDCi (XWDB)		Diesel	FWD	1499	88	120	03.15-06.19	*
1.5 TDCi (XWDC)		Diesel	FWD	1499	88	120	03.15-06.19	*
1.5 TDCi (XWDD)		Diesel	FWD	1499	88	120	03.15-06.19	*
1.5 TDCi (XWDE)		Diesel	FWD	1499	88	120	03.15-06.19	*
1.6 TDCi (T3DA)		Diesel	FWD	1560	70	95	12.10-06.19	*
1.6 TDCi (T3DB)		Diesel	FWD	1560	70	95	12.10-06.19	*
1.6 TDCi (T1DA)		Diesel	FWD	1560	85	115	12.10-06.19	*
1.6 TDCi (T1DB)		Diesel	FWD	1560	85	115	12.10-06.19	*
2.0 TDCi (TYDA)		Diesel	FWD	1997	85	115	02.11-06.19	*
2.0 TDCi (UKDB)		Diesel	FWD	1997	100	136	02.11-06.19	*
2.0 TDCi (UFDB)		Diesel	FWD	1997	103	140	04.10-06.19	*
2.0 TDCi (T7DB)		Diesel	FWD	1997	110	150	03.15-06.19	*
2.0 TDCi (T7DC)		Diesel	FWD	1997	110	150	03.15-06.19	*
2.0 TDCi (T7DD)		Diesel	FWD	1997	110	150	03.15-06.19	*
2.0 TDCi (TXDB)		Diesel	FWD	1997	120	163	12.10-06.19	*
2.0 TDCi (T8DE)		Diesel	FWD	1997	125	170	03.15-06.19	*

LISTA DE APLICACIONES - BUYERS GUIDE

ECOSPORT II 09.11-					SUV (Mini SUV-J Segment)			
1.0 EcoBoost		Gasolina	FWD	998	70	95	04.20-	*
1.0 EcoBoost (SFJL)		Gasolina	FWD	998	74	100	04.18-	*
1.0 Ti-VCT Ecoboost		Gasolina	FWD	998	88	120	08.12-	*
1.0 EcoBoost (M1JC)		Gasolina	FWD	998	92	125	10.13-	*
1.0 EcoBoost (M1JJ)		Gasolina	FWD	998	92	125	10.13-	*
1.0 EcoBoost (M1JU)		Gasolina	FWD	998	92	125	10.13-	*
1.0 EcoBoost (YYJD)		Gasolina	FWD	998	103	140	03.16-	*
1.5 Ti-VCT (XZJF)		Gasolina	FWD	1496	90	122	01.18-	*
1.5 Ti-VCT		Gasolina	FWD	1498	81	110	10.13-06.22	*
1.5 Ti (UEJB)		Gasolina	FWD	1498	82	112	10.13-	*
1.5 Ti (UEJE)		Gasolina	FWD	1498	82	112	10.13-	*
1.6		Gasolina	FWD	1596	81	110	10.12-	*
1.6 Ti-VCT (HXJD)		Gasolina	FWD	1596	90	122	08.12-	*
1.6 Ti-VCT (IQJB)		Gasolina	FWD	1596	90	122	08.12-	*
2.0		Gasolina	FWD	1999	101	138	01.12-	*
2.0 4x4		Gasolina	4WD	1999	101	138	07.12-	*
2.0 4x4		Gasolina	4WD	1999	103	140	08.12-	*
2.0 (AOJB)		Gasolina	FWD	1999	105	143	01.12-	*
2.0		Gasolina	FWD	1999	105	143	01.12-	*
2.0		Gasolina	FWD	1999	108	147	09.12-	*
2.0		Gasolina	FWD	1999	108	147	09.12-	*
2.0 Ti-VCT 4x4 (U4JL)		Gasolina	4WD	1999	110	150	10.18-	*
2.0 Ti-VCT		Gasolina	FWD	1999	122	166	01.18-	*
2.0 Ti-VCT 4x4		Gasolina	4WD	1999	124	169	11.17-	*
2.0 Ti-VCT (MGDA)		Gasolina	FWD	1999	125	170	01.18-	*
2.0 Ti-VCT 4x4 (MGDA)		Gasolina	4WD	1999	125	170	01.18-	*
1.5 SE Direct Flex		Gasol./Etanol	FWD	1496	101	137	01.17-01.21	*
1.6 Flex		Gasol./Etanol	FWD	1596	85	116	08.12-07.17	*
2.0 Flex		Gasol./Etanol	FWD	1999	108	147	08.12-07.17	*
2.0 Flex 4x4		Gasol./Etanol	4WD	1999	129	176	02.18-01.21	*
1.5 TDCi (UGJE)		Diesel	FWD	1499	66	90	10.13-	*
1.5 TDCi (UGJE)		Diesel	FWD	1499	67	91	10.12-	*
1.5 EcoBlue TDCi (XVJD)		Diesel	FWD	1499	70	95	05.15-	*
1.5 EcoBlue TDCi (Z2JA)		Diesel	FWD	1499	74	100	11.17-	*
1.5 TDCi (UGJM)		Diesel	FWD	1499	74	100	05.15-	*
1.5 TDCi (XUJH)		Diesel	FWD	1499	74	100	05.15-	*
1.5 TDCi EcoBlue		Diesel	FWD	1499	88	120	11.19-	*
1.5 TDCi EcoBlue (ZTJA)		Diesel	FWD	1499	92	125	11.17-	*
1.5 TDCi EcoBlue (ZTJB)		Diesel	FWD	1499	92	125	11.17-	*
1.5 TDCi EcoBlue (ZTJC)		Diesel	FWD	1499	92	125	11.17-	*
1.5 TDCi EcoBlue 4x4 (ZTJA)		Diesel	4WD	1499	92	125	11.17-	*
1.5 TDCi EcoBlue 4x4 (ZTJB)		Diesel	4WD	1499	92	125	11.17-	*
1.5 TDCi EcoBlue 4x4 (ZTJC)		Diesel	4WD	1499	92	125	11.17-	*
FOCUS II (DA_, HCP, DP) 07.04-09.13					[CAMBIADO]:Fastback (Compact car-C Segment)			
1.4 (ASDA)		Gasolina	FWD	1388	59	80	07.04-09.12	*
1.4 (ASDB)		Gasolina	FWD	1388	59	80	07.04-09.12	*
1.6 (HWDA)		Gasolina	FWD	1596	74	100	07.04-09.12	*
1.6 (HWDB)		Gasolina	FWD	1596	74	100	07.04-09.12	*

LISTA DE APLICACIONES - BUYERS GUIDE

1.6 (SHDA)		Gasolina	FWD	1596	74	100	07.04-09.12	*
1.6 (SHDB)		Gasolina	FWD	1596	74	100	07.04-09.12	*
1.6 (SHDC)		Gasolina	FWD	1596	74	100	07.04-09.12	*
1.6		Gasolina	FWD	1596	81	110	01.10-09.12	*
1.6 Ti (HXDA)		Gasolina	FWD	1596	85	115	07.04-09.12	*
1.6 Ti (HXDB)		Gasolina	FWD	1596	85	115	07.04-09.12	*
1.6 Ti (SIDA)		Gasolina	FWD	1596	85	115	07.04-09.12	*
1.8 (Q7DA)		Gasolina	FWD	1798	92	125	03.06-09.12	*
1.8 (QQDA)		Gasolina	FWD	1798	92	125	03.06-09.12	*
1.8 (QQDB)		Gasolina	FWD	1798	92	125	03.06-09.12	*
2.0		Gasolina	FWD	1999	104	140	06.05-09.08	*
2.0 (SYDA)		Gasolina	FWD	1999	105	143	04.10-09.12	*
2.0 (AODA)		Gasolina	FWD	1999	107	145	07.04-09.12	*
2.0 (AODB)		Gasolina	FWD	1999	107	145	07.04-09.12	*
2.0 (AODE)		Gasolina	FWD	1999	107	145	07.04-09.12	*
2.0 Flex		Gasolina	FWD	1999	109	148	04.10-	*
1.6 LPG (SIDA)		Gasol./Gas (LPG)	FWD	1596	85	115	10.09-07.11	*
2.0 LPG (SYDA)		Gasol./Gas (LPG)	FWD	1999	107	145	06.08-07.11	*
2.0 CNG (SYDA)		Gasol./Gas (CNG)	FWD	1999	107	145	04.09-07.11	*
1.6 GL FLEX		Gasol./Etanol	FWD	1596	85	116	01.10-09.13	*
1.8 Flexifuel (Q7DA)		Gasol./Etanol	FWD	1798	92	125	01.06-09.12	*
1.8 Flexifuel (QQDA)		Gasol./Etanol	FWD	1798	92	125	01.06-09.12	*
1.8 Flexifuel (QQDB)		Gasol./Etanol	FWD	1798	92	125	01.06-09.12	*
1.8 Flexifuel (QQDD)		Gasol./Etanol	FWD	1798	96	131	12.05-01.08	*
2.0 Flex (SYDA)		Gasol./Etanol	FWD	1999	107	145	10.08-03.10	*
1.6 TDCi (GPDA)		Diesel	FWD	1560	66	90	01.05-09.12	*
1.6 TDCi (GPDB)		Diesel	FWD	1560	66	90	01.05-09.12	*
1.6 TDCi (GPDC)		Diesel	FWD	1560	66	90	01.05-09.12	*
1.6 TDCi (HHDA)		Diesel	FWD	1560	66	90	01.05-09.12	*
1.6 TDCi (HHDB)		Diesel	FWD	1560	66	90	01.05-09.12	*
1.6 TDCi (G8DC)		Diesel	FWD	1560	74	100	07.04-09.12	*
1.6 TDCi (MTDA)		Diesel	FWD	1560	74	100	07.04-09.12	*
1.6 TDCi (G8DA)		Diesel	FWD	1560	80	109	07.04-09.12	*
1.6 TDCi (G8DB)		Diesel	FWD	1560	80	109	07.04-09.12	*
1.6 TDCi (G8DD)		Diesel	FWD	1560	80	109	07.04-09.12	*
1.6 TDCi (G8DE)		Diesel	FWD	1560	80	109	07.04-09.12	*
1.6 TDCi (G8DF)		Diesel	FWD	1560	80	109	07.04-09.12	*
1.8 TDCi (KKDA)		Diesel	FWD	1753	85	115	01.05-09.12	*
2.0 TDCi (IXDA)		Diesel	FWD	1997	81	110	02.08-07.11	*
2.0 TDCi (G6DE)		Diesel	FWD	1997	98	133	07.04-01.08	*
2.0 TDCi (G6DF)		Diesel	FWD	1997	98	133	07.04-01.08	*
2.0 TDCi (G6DA)		Diesel	FWD	1997	100	136	07.04-09.12	*
2.0 TDCi (G6DB)		Diesel	FWD	1997	100	136	07.04-09.12	*
2.0 TDCi (G6DD)		Diesel	FWD	1997	100	136	07.04-09.12	*
2.0 TDCi (G6DG)		Diesel	FWD	1997	100	136	07.04-09.12	*

LISTA DE APLICACIONES - BUYERS GUIDE

FOCUS II 07.04-07.11					[CAMBIADO]:Furgón/Break (Compact car-C Segment)			
1.4 (ASDA)		Gasolina	FWD	1388	59	80	09.05-07.11	*
1.4 (ASDB)		Gasolina	FWD	1388	59	80	09.05-07.11	*
1.6 (HWDA)		Gasolina	FWD	1596	74	101	09.05-07.11	*
1.6 Ti-VCT (HXDA)		Gasolina	FWD	1596	85	116	09.05-07.11	*
1.6 Ti-VCT (HXDB)		Gasolina	FWD	1596	85	116	09.05-07.11	*
1.6 Ti-VCT (SIDA)		Gasolina	FWD	1596	85	116	09.05-07.11	*
1.8 Flexifuel (Q7DA)		Gasol./Etanol	FWD	1798	92	125	06.09-07.11	*
1.8 Flexifuel (QQDA)		Gasol./Etanol	FWD	1798	92	125	06.09-07.11	*
1.6 TDCi (HHDA)		Diesel	FWD	1560	66	90	09.05-07.11	*
1.6 TDCi (G8DC)		Diesel	FWD	1560	74	101	11.04-07.11	*
1.6 TDCi (MTDA)		Diesel	FWD	1560	74	101	11.04-07.11	*
1.6 TDCi (G8DA)		Diesel	FWD	1560	80	109	07.04-07.11	*
2.0 TDCi (IXDA)		Diesel	FWD	1997	81	110	06.09-07.11	*
2.0 TDCi (G6DB)		Diesel	FWD	1997	100	136	09.05-07.11	*
FOCUS II 10.06-09.10					Cabrío (Compact car-C Segment)			
1.6 (HWDA)		Gasolina	FWD	1596	74	100	10.06-09.10	*
1.6 (HWDB)		Gasolina	FWD	1596	74	100	10.06-09.10	*
1.6 (SHDA)		Gasolina	FWD	1596	74	100	10.06-09.10	*
1.6 (SHDB)		Gasolina	FWD	1596	74	100	10.06-09.10	*
1.6 (SHDC)		Gasolina	FWD	1596	74	100	10.06-09.10	*
2.0 (AODA)		Gasolina	FWD	1999	107	145	10.06-09.10	*
2.0 (AODB)		Gasolina	FWD	1999	107	145	10.06-09.10	*
2.0 (AODE)		Gasolina	FWD	1999	107	145	10.06-09.10	*
2.0 (SYDA)		Gasolina	FWD	1999	107	145	10.06-09.10	*
2.0 TDCi (G6DA)		Diesel	FWD	1997	100	136	10.06-09.10	*
2.0 TDCi (G6DB)		Diesel	FWD	1997	100	136	10.06-09.10	*
2.0 TDCi (G6DD)		Diesel	FWD	1997	100	136	10.06-09.10	*
2.0 TDCi (G6DG)		Diesel	FWD	1997	100	136	10.06-09.10	*
FOCUS II (DB_, FCH, DH) 04.05-					Sedán (Compact car-C Segment)			
1.4 (ASDA)		Gasolina	FWD	1388	59	80	04.05-09.12	*
1.4 (ASDB)		Gasolina	FWD	1388	59	80	04.05-09.12	*
1.6 (HWDA)		Gasolina	FWD	1596	74	100	04.05-09.12	*
1.6 (HWDB)		Gasolina	FWD	1596	74	100	04.05-09.12	*
1.6 (SHDA)		Gasolina	FWD	1596	74	100	04.05-09.12	*
1.6 (SHDB)		Gasolina	FWD	1596	74	100	04.05-09.12	*
1.6 (SHDC)		Gasolina	FWD	1596	74	100	04.05-09.12	*
1.6		Gasolina	FWD	1596	81	110	03.10-09.12	*
1.6 Ti (HXDA)		Gasolina	FWD	1596	85	115	04.05-09.12	*
1.6 Ti (HXDB)		Gasolina	FWD	1596	85	115	04.05-09.12	*
1.6 Ti (SIDA)		Gasolina	FWD	1596	85	115	04.05-09.12	*
1.8 (Q7DA)		Gasolina	FWD	1798	92	125	03.06-09.12	*
1.8 (QQDA)		Gasolina	FWD	1798	92	125	03.06-09.12	*
1.8 (QQDB)		Gasolina	FWD	1798	92	125	03.06-09.12	*
2.0		Gasolina	FWD	1999	104	140	09.09-12.10	*
2.0		Gasolina	FWD	1999	104	141	02.08-	*
2.0 (AODA)		Gasolina	FWD	1999	107	145	04.05-07.11	*
2.0 (AODB)		Gasolina	FWD	1999	107	145	04.05-07.11	*
2.0 (AODE)		Gasolina	FWD	1999	107	145	04.05-07.11	*

LISTA DE APLICACIONES - BUYERS GUIDE

2.0 (SYDA)		Gasolina	FWD	1999	107	145	04.05-07.11	*	
2.0 Flex		Gasolina	FWD	1999	109	148	04.10-	*	
1.6 Flex		Gasol./Etanol	FWD	1596	85	116	01.10-09.13	*	
1.8 Flexifuel (Q7DA)		Gasol./Etanol	FWD	1798	92	125	06.06-07.11	*	
1.8 Flexifuel (QQDA)		Gasol./Etanol	FWD	1798	92	125	06.06-07.11	*	
1.8 Flexifuel (QQDB)		Gasol./Etanol	FWD	1798	92	125	06.06-07.11	*	
1.8 Flexifuel		Gasol./Etanol	FWD	1798	96	131	12.05-01.08	*	
1.6 TDCi (GPDA)		Diesel	FWD	1560	66	90	04.05-09.12	*	
1.6 TDCi (GPDB)		Diesel	FWD	1560	66	90	04.05-09.12	*	
1.6 TDCi (GPDC)		Diesel	FWD	1560	66	90	04.05-09.12	*	
1.6 TDCi (HHDA)		Diesel	FWD	1560	66	90	04.05-09.12	*	
1.6 TDCi (HHDB)		Diesel	FWD	1560	66	90	04.05-09.12	*	
1.6 TDCi (G8DC)		Diesel	FWD	1560	74	100	04.05-09.12	*	
1.6 TDCi (MTDA)		Diesel	FWD	1560	74	100	04.05-09.12	*	
1.6 TDCi (G8DA)		Diesel	FWD	1560	80	109	04.05-09.12	*	
1.6 TDCi (G8DB)		Diesel	FWD	1560	80	109	04.05-09.12	*	
1.6 TDCi (G8DD)		Diesel	FWD	1560	80	109	04.05-09.12	*	
1.6 TDCi (G8DE)		Diesel	FWD	1560	80	109	04.05-09.12	*	
1.6 TDCi (G8DF)		Diesel	FWD	1560	80	109	04.05-09.12	*	
1.8 TDCi (KKDA)		Diesel	FWD	1753	85	115	04.05-09.12	*	
2.0 TDCi (IXDA)		Diesel	FWD	1997	81	110	02.08-07.11	*	
2.0 TDCi (G6DA)		Diesel	FWD	1997	100	136	04.05-09.12	*	
2.0 TDCi (G6DB)		Diesel	FWD	1997	100	136	04.05-09.12	*	
2.0 TDCi (G6DD)		Diesel	FWD	1997	100	136	04.05-09.12	*	
2.0 TDCi (G6DG)		Diesel	FWD	1997	100	136	04.05-09.12	*	
FOCUS II Turnier (DA_, FFS, DS) 07.04-09.12							[CAMBIADO]:Break (Compact car-C Segment)		
1.4 (ASDA)		Gasolina	FWD	1388	59	80	07.04-09.12	*	
1.4 (ASDB)		Gasolina	FWD	1388	59	80	07.04-09.12	*	
1.6 (HWDA)		Gasolina	FWD	1596	74	100	07.04-07.11	*	
1.6 (HWDB)		Gasolina	FWD	1596	74	100	07.04-07.11	*	
1.6 (SHDA)		Gasolina	FWD	1596	74	100	07.04-07.11	*	
1.6 (SHDB)		Gasolina	FWD	1596	74	100	07.04-07.11	*	
1.6 (SHDC)		Gasolina	FWD	1596	74	100	07.04-07.11	*	
1.6 Ti (HXDA)		Gasolina	FWD	1596	85	115	07.04-09.12	*	
1.6 Ti (HXDB)		Gasolina	FWD	1596	85	115	07.04-09.12	*	
1.6 Ti (SIDA)		Gasolina	FWD	1596	85	115	07.04-09.12	*	
1.8 (Q7DA)		Gasolina	FWD	1798	92	125	03.06-09.12	*	
1.8 (QQDA)		Gasolina	FWD	1798	92	125	03.06-09.12	*	
1.8 (QQDB)		Gasolina	FWD	1798	92	125	03.06-09.12	*	
1.8 Flexifuel		Gasolina	FWD	1798	97	132	12.05-01.08	*	
2.0 (AODA)		Gasolina	FWD	1999	107	145	07.04-09.12	*	
2.0 (AODB)		Gasolina	FWD	1999	107	145	07.04-09.12	*	
2.0 (AODE)		Gasolina	FWD	1999	107	145	07.04-09.12	*	
2.0 (SYDA)		Gasolina	FWD	1999	107	145	07.04-09.12	*	
1.6 LPG (SIDA)		Gasol./Gas (LPG)	FWD	1596	85	115	10.09-09.12	*	
2.0 LPG (SYDA)		Gasol./Gas (LPG)	FWD	1999	107	145	06.08-07.11	*	
1.8 Flexifuel (Q7DA)		Gasol./Etanol	FWD	1798	92	125	01.06-09.12	*	

LISTA DE APLICACIONES - BUYERS GUIDE

1.8 Flexifuel (QQDA)		Gasol./Etanol	FWD	1798	92	125	01.06-09.12	*	
1.8 Flexifuel (QQDB)		Gasol./Etanol	FWD	1798	92	125	01.06-09.12	*	
1.6 TDCi (GPDA)		Diesel	FWD	1560	66	90	07.04-09.12	*	
1.6 TDCi (GPDB)		Diesel	FWD	1560	66	90	07.04-09.12	*	
1.6 TDCi (GPDC)		Diesel	FWD	1560	66	90	07.04-09.12	*	
1.6 TDCi (HHDA)		Diesel	FWD	1560	66	90	07.04-09.12	*	
1.6 TDCi (HHDB)		Diesel	FWD	1560	66	90	07.04-09.12	*	
1.6 TDCi (G8DC)		Diesel	FWD	1560	74	100	07.04-09.12	*	
1.6 TDCi (MTDA)		Diesel	FWD	1560	74	100	07.04-09.12	*	
1.6 TDCi (G8DA)		Diesel	FWD	1560	80	109	07.04-09.12	*	
1.6 TDCi (G8DB)		Diesel	FWD	1560	80	109	07.04-09.12	*	
1.6 TDCi (G8DD)		Diesel	FWD	1560	80	109	07.04-09.12	*	
1.6 TDCi (G8DE)		Diesel	FWD	1560	80	109	07.04-09.12	*	
1.6 TDCi (G8DF)		Diesel	FWD	1560	80	109	07.04-09.12	*	
1.6 TDCi (G8DA)		Diesel	FWD	1560	81	110	12.07-09.12	*	
1.8 TDCi (KKDA)		Diesel	FWD	1753	85	115	07.04-09.12	*	
2.0 TDCi (IXDA)		Diesel	FWD	1997	81	110	02.08-07.11	*	
2.0 TDCi (G6DE)		Diesel	FWD	1997	98	133	07.04-01.08	*	
2.0 TDCi (G6DF)		Diesel	FWD	1997	98	133	07.04-01.08	*	
2.0 TDCi (G6DA)		Diesel	FWD	1997	100	136	07.04-09.12	*	
2.0 TDCi (G6DB)		Diesel	FWD	1997	100	136	07.04-09.12	*	
2.0 TDCi (G6DD)		Diesel	FWD	1997	100	136	07.04-09.12	*	
2.0 TDCi (G6DG)		Diesel	FWD	1997	100	136	07.04-09.12	*	
FOCUS III (C346) 07.10-							[CAMBIADO]:Fastback (Compact car-C Segment)		
1.0 EcoBoost (M2DA)		Gasolina	FWD	998	74	100	02.12-12.17	*	
1.0 EcoBoost (M2DB)		Gasolina	FWD	998	74	100	02.12-12.17	*	
1.0 EcoBoost (M2DC)		Gasolina	FWD	998	74	100	02.12-12.17	*	
1.0 EcoBoost (SFDA)		Gasolina	FWD	998	74	100	02.12-12.17	*	
1.0 EcoBoost (SFDB)		Gasolina	FWD	998	74	100	02.12-12.17	*	
1.0 EcoBoost (M1DA)		Gasolina	FWD	998	92	125	02.12-12.17	*	
1.0 EcoBoost (M1DC)		Gasolina	FWD	998	92	125	02.12-12.17	*	
1.0 EcoBoost (M1DD)		Gasolina	FWD	998	92	125	02.12-12.17	*	
1.0 EcoBoost (M1DH)		Gasolina	FWD	998	103	140	10.17-02.20	*	
1.5 EcoBoost (M8DA)		Gasolina	FWD	1498	110	150	09.14-12.17	*	
1.5 EcoBoost (M8DB)		Gasolina	FWD	1498	110	150	09.14-12.17	*	
1.5 EcoBoost (M9DA)		Gasolina	FWD	1498	134	182	09.14-12.17	*	
1.5 EcoBoost (M9DB)		Gasolina	FWD	1498	134	182	09.14-12.17	*	
1.5 EcoBoost (M9DA)		Gasolina	FWD	1499	132	179	05.15-12.17	*	
1.5 EcoBoost (M9DB)		Gasolina	FWD	1499	132	179	05.15-12.17	*	
1.6 Ti (XTDA)		Gasolina	FWD	1596	63	85	08.11-12.17	*	
1.6 Ti (XTDB)		Gasolina	FWD	1596	63	85	08.11-12.17	*	
1.6 Ti (IQDA)		Gasolina	FWD	1596	77	105	07.10-02.20	*	
1.6 Ti (IQDB)		Gasolina	FWD	1596	77	105	07.10-02.20	*	
1.6 Ti (IQDC)		Gasolina	FWD	1596	77	105	07.10-02.20	*	
1.6 Ti (MUDA)		Gasolina	FWD	1596	88	120	02.12-12.17	*	
1.6 Ti (MUDD)		Gasolina	FWD	1596	88	120	02.12-12.17	*	
1.6 Ti (PNDA)		Gasolina	FWD	1596	92	125	07.10-12.17	*	
1.6 Ti (PNDD)		Gasolina	FWD	1596	92	125	07.10-12.17	*	
1.6 EcoBoost (JQDA)		Gasolina	FWD	1596	110	150	07.10-06.14	*	
1.6 EcoBoost (JQDB)		Gasolina	FWD	1596	110	150	07.10-06.14	*	

LISTA DE APLICACIONES - BUYERS GUIDE

1.6 EcoBoost (YUDA)		Gasolina	FWD	1596	110	150	07.10-06.14	*
1.6 EcoBoost (JTDA)		Gasolina	FWD	1596	134	182	07.10-06.14	*
1.6 EcoBoost (JTDB)		Gasolina	FWD	1596	134	182	07.10-06.14	*
2.0 ST		Gasolina	FWD	1997	186	253	09.13-	*
2.0 (XQDA)		Gasolina	FWD	1999	110	150	10.13-12.17	*
2.0		Gasolina	FWD	1999	119	162	09.11-06.18	*
2.0 Ti-GDi (MGDA)		Gasolina	FWD	1999	125	170	08.11-02.20	*
2.0		Gasolina	FWD	1999	129	175	10.13-	*
2.0 ST (R9DA)		Gasolina	FWD	1999	184	250	07.12-12.17	*
2.0 ST (R9DB)		Gasolina	FWD	1999	184	250	07.12-12.17	*
2.0 ST (R9DC)		Gasolina	FWD	1999	184	250	07.12-12.17	*
2.0 ST (R9DD)		Gasolina	FWD	1999	184	250	07.12-12.17	*
2.0 ST		Gasolina	FWD	1999	188	256	09.12-	*
1.6 LPG (MUDA)		Gasol./Gas (LPG)	FWD	1596	86	117	02.12-02.20	*
1.6 LPG (MUDA)		Gasol./Gas (LPG)	FWD	1596	88	120	02.12-02.20	*
1.6 LPG (MUDD)		Gasol./Gas (LPG)	FWD	1596	88	120	02.12-02.20	*
1.6 Flexifuel (MUDA)		Gasol./Etanol	FWD	1596	88	120	07.10-02.20	*
1.6 Flexifuel (MUDD)		Gasol./Etanol	FWD	1596	88	120	07.10-02.20	*
1.6 S Flex		Gasol./Etanol	FWD	1596	99	135	10.13-06.19	*
1.6 Flexifuel (YUDA)		Gasol./Etanol	FWD	1596	110	150	07.13-02.20	*
2.0 Flex		Gasol./Etanol	FWD	1999	119	162	04.11-	*
2.0 SE Powershift Direct Flex		Gasol./Etanol	FWD	1999	131	178	10.13-06.19	*
Electric (KDDA)		Eléctrico	FWD		107	145	07.13-12.17	*
Electric		Eléctrico	FWD	0	92	125	09.11-	*
1.5 TDCi (XXDA)		Diesel	FWD	1499	70	95	09.14-04.18	*
1.5 TDCi (XXDC)		Diesel	FWD	1499	70	95	09.14-04.18	*
1.5 TDCi (XXDD)		Diesel	FWD	1499	70	95	09.14-04.18	*
1.5 TDCi ECOnetic (AEDA)		Diesel	FWD	1499	77	105	09.14-12.17	*
1.5 TDCi ECOnetic (XXDB)		Diesel	FWD	1499	77	105	09.14-12.17	*
1.5 TDCi (XWDA)		Diesel	FWD	1499	88	120	09.14-04.18	*
1.5 TDCi (XWDB)		Diesel	FWD	1499	88	120	09.14-04.18	*
1.5 TDCi (XWDC)		Diesel	FWD	1499	88	120	09.14-04.18	*
1.5 TDCi (XWDD)		Diesel	FWD	1499	88	120	09.14-04.18	*
1.5 TDCi (XWDE)		Diesel	FWD	1499	88	120	09.14-04.18	*
1.6 TDCi (T3DA)		Diesel	FWD	1560	70	95	07.10-12.17	*
1.6 TDCi (T3DB)		Diesel	FWD	1560	70	95	07.10-12.17	*
1.6 TDCi ECOnetic (NGDA)		Diesel	FWD	1560	77	105	05.12-07.15	*
1.6 TDCi ECOnetic (NGDB)		Diesel	FWD	1560	77	105	05.12-07.15	*
1.6 TDCi (T1DA)		Diesel	FWD	1560	85	115	07.10-12.17	*
1.6 TDCi (T1DB)		Diesel	FWD	1560	85	115	07.10-12.17	*
2.0 TDCi (TYDA)		Diesel	FWD	1997	85	115	07.10-06.14	*
2.0 TDCi (UKDB)		Diesel	FWD	1997	100	136	07.10-06.14	*
2.0 TDCi (UFDB)		Diesel	FWD	1997	103	140	07.10-06.14	*
2.0 TDCi (T7DA)		Diesel	FWD	1997	110	150	11.14-12.17	*
2.0 TDCi (T7DB)		Diesel	FWD	1997	110	150	11.14-12.17	*
2.0 TDCi (TXDB)		Diesel	FWD	1997	120	163	07.10-06.14	*
2.0 TDCi		Diesel	RWD	1997	132	180	07.14-	*

LISTA DE APLICACIONES - BUYERS GUIDE

2.0 TDCi ST (T8DA)		Diesel	FWD	1997	136	185	11.14-12.17	*
FOCUS III 02.12-					[CAMBIADO]:Furgón/Break (Compact car-C Segment)			
1.0 EcoBoost (M2DA)		Gasolina	FWD	998	74	100	02.12-02.20	*
1.0 EcoBoost (M2DB)		Gasolina	FWD	998	74	100	02.12-02.20	*
1.0 EcoBoost (M2DC)		Gasolina	FWD	998	74	100	02.12-02.20	*
1.0 EcoBoost (SFDA)		Gasolina	FWD	998	74	100	02.12-02.20	*
1.0 EcoBoost (SFDB)		Gasolina	FWD	998	74	100	02.12-02.20	*
1.0 EcoBoost (M1DA)		Gasolina	FWD	998	92	125	02.12-02.20	*
1.0 EcoBoost (M1DC)		Gasolina	FWD	998	92	125	02.12-02.20	*
1.0 EcoBoost (M1DD)		Gasolina	FWD	998	92	125	02.12-02.20	*
1.5 EcoBoost (M8DA)		Gasolina	FWD	1498	110	150	09.14-02.20	*
1.5 EcoBoost (M8DB)		Gasolina	FWD	1498	110	150	09.14-02.20	*
1.5 EcoBoost (M8DD)		Gasolina	FWD	1498	110	150	09.14-02.20	*
1.5 EcoBoost (M8DE)		Gasolina	FWD	1498	110	150	09.14-02.20	*
1.5 EcoBoost (M9DA)		Gasolina	FWD	1498	134	182	09.14-02.20	*
1.5 EcoBoost (M9DB)		Gasolina	FWD	1498	134	182	09.14-02.20	*
1.5 TDCi (XXDA)		Diesel	FWD	1499	70	95	09.14-02.20	*
1.5 TDCi (XXDC)		Diesel	FWD	1499	70	95	09.14-02.20	*
1.5 TDCi ECOnetic (XXDB)		Diesel	FWD	1499	77	105	09.14-02.20	*
1.5 TDCi (XWDA)		Diesel	FWD	1499	88	120	09.14-02.20	*
1.5 TDCi (XWDB)		Diesel	FWD	1499	88	120	09.14-02.20	*
1.5 TDCi (XWDC)		Diesel	FWD	1499	88	120	09.14-02.20	*
1.5 TDCi (XWDD)		Diesel	FWD	1499	88	120	09.14-02.20	*
2.0 TDCi (T7DA)		Diesel	FWD	1997	110	150	11.14-02.20	*
2.0 TDCi (T7DB)		Diesel	FWD	1997	110	150	11.14-02.20	*
FOCUS III (C346) 01.11-					Furgón/hatchback (Compact car-C Segment)			
1.0 EcoBoost (M2DA)		Gasolina	FWD	998	74	100	02.12-12.17	*
1.0 EcoBoost (M2DB)		Gasolina	FWD	998	74	100	02.12-12.17	*
1.0 EcoBoost (M2DC)		Gasolina	FWD	998	74	100	02.12-12.17	*
1.0 EcoBoost (SFDA)		Gasolina	FWD	998	74	100	02.12-12.17	*
1.0 EcoBoost (SFDB)		Gasolina	FWD	998	74	100	02.12-12.17	*
1.0 EcoBoost (M1DA)		Gasolina	FWD	998	92	125	02.12-12.17	*
1.0 EcoBoost (M1DC)		Gasolina	FWD	998	92	125	02.12-12.17	*
1.0 EcoBoost (M1DD)		Gasolina	FWD	998	92	125	02.12-12.17	*
1.5 EcoBoost (M8DA)		Gasolina	FWD	1498	110	150	09.14-12.17	*
1.5 EcoBoost (M8DB)		Gasolina	FWD	1498	110	150	09.14-12.17	*
1.5 EcoBoost (M9DA)		Gasolina	FWD	1498	134	182	09.14-12.17	*
1.5 EcoBoost (M9DB)		Gasolina	FWD	1498	134	182	09.14-12.17	*
1.6 Ti (IQDA)		Gasolina	FWD	1596	77	105	01.11-02.20	*
1.6 Ti (IQDB)		Gasolina	FWD	1596	77	105	01.11-02.20	*
1.6 EcoBoost (JQDA)		Gasolina	FWD	1596	110	150	11.11-06.14	*
1.6 EcoBoost (JQDB)		Gasolina	FWD	1596	110	150	11.11-06.14	*
1.6 EcoBoost (YUDA)		Gasolina	FWD	1596	110	150	11.11-06.14	*
1.6 EcoBoost (JTDA)		Gasolina	FWD	1596	134	182	11.11-06.14	*
1.6 EcoBoost (JTDB)		Gasolina	FWD	1596	134	182	11.11-06.14	*
1.5 TDCi (XXDA)		Diesel	FWD	1499	70	95	09.14-12.17	*
1.5 TDCi (XXDC)		Diesel	FWD	1499	70	95	09.14-12.17	*
1.5 TDCi (XXDD)		Diesel	FWD	1499	70	95	09.14-12.17	*
1.5 TDCi ECOnetic (AEDA)		Diesel	FWD	1499	77	105	09.14-12.17	*
1.5 TDCi ECOnetic (XXDB)		Diesel	FWD	1499	77	105	09.14-12.17	*

LISTA DE APLICACIONES - BUYERS GUIDE

1.5 TDCi (XWDA)		Diesel	FWD	1499	88	120	09.14-12.17	*
1.5 TDCi (XWDB)		Diesel	FWD	1499	88	120	09.14-12.17	*
1.5 TDCi (XWDC)		Diesel	FWD	1499	88	120	09.14-12.17	*
1.5 TDCi (XWDD)		Diesel	FWD	1499	88	120	09.14-12.17	*
1.5 TDCi (XWDE)		Diesel	FWD	1499	88	120	09.14-12.17	*
1.6 TDCi (T3DA)		Diesel	FWD	1560	70	95	01.11-12.17	*
1.6 TDCi (T3DB)		Diesel	FWD	1560	70	95	01.11-12.17	*
1.6 TDCi (T1DA)		Diesel	FWD	1560	85	115	02.12-12.17	*
1.6 TDCi (T1DB)		Diesel	FWD	1560	85	115	02.12-12.17	*
2.0 TDCi (TYDA)		Diesel	FWD	1997	85	115	01.11-06.14	*
2.0 TDCi (UFDB)		Diesel	FWD	1997	103	140	01.11-06.14	*
2.0 TDCi (T7DA)		Diesel	FWD	1997	110	150	11.14-12.17	*
2.0 TDCi (T7DB)		Diesel	FWD	1997	110	150	11.14-12.17	*
2.0 TDCi (TXDB)		Diesel	FWD	1997	120	163	01.11-06.14	*

FOCUS III (C346) 07.10-				Sedán (Compact car-C Segment)				
1.0 EcoBoost (M2DA)		Gasolina	FWD	998	74	100	02.12-02.20	*
1.0 EcoBoost (M2DB)		Gasolina	FWD	998	74	100	02.12-02.20	*
1.0 EcoBoost (M2DC)		Gasolina	FWD	998	74	100	02.12-02.20	*
1.0 EcoBoost (SFDA)		Gasolina	FWD	998	74	100	02.12-02.20	*
1.0 EcoBoost (SFDB)		Gasolina	FWD	998	74	100	02.12-02.20	*
1.0 EcoBoost (M1DA)		Gasolina	FWD	998	92	125	02.12-02.20	*
1.0 EcoBoost (M1DC)		Gasolina	FWD	998	92	125	02.12-02.20	*
1.0 EcoBoost (M1DD)		Gasolina	FWD	998	92	125	02.12-02.20	*
1.0 EcoBoost (M1DH)		Gasolina	FWD	998	103	140	10.17-02.20	*
1.5 EcoBoost (M8DA)		Gasolina	FWD	1498	110	150	11.14-02.20	*
1.5 EcoBoost (M8DB)		Gasolina	FWD	1498	110	150	11.14-02.20	*
1.5 EcoBoost (M9DA)		Gasolina	FWD	1498	134	182	11.14-02.20	*
1.5 EcoBoost (M9DB)		Gasolina	FWD	1498	134	182	11.14-02.20	*
1.5 EcoBoost (M9DA)		Gasolina	FWD	1499	132	179	05.15-02.20	*
1.5 EcoBoost (M9DB)		Gasolina	FWD	1499	132	179	05.15-02.20	*
1.6 Ti (XTDA)		Gasolina	FWD	1596	63	85	08.11-02.20	*
1.6 Ti (XTDB)		Gasolina	FWD	1596	63	85	08.11-02.20	*
1.6 Ti (IQDA)		Gasolina	FWD	1596	77	105	07.10-02.20	*
1.6 Ti (IQDB)		Gasolina	FWD	1596	77	105	07.10-02.20	*
1.6 Ti (IQDC)		Gasolina	FWD	1596	77	105	07.10-02.20	*
1.6 Ti (PNDA)		Gasolina	FWD	1596	92	125	07.10-02.20	*
1.6 Ti (PNDD)		Gasolina	FWD	1596	92	125	07.10-02.20	*
1.6 Flex		Gasolina	FWD	1596	99	135	01.14-	*
1.6 EcoBoost (JQDA)		Gasolina	FWD	1596	110	150	07.10-06.14	*
1.6 EcoBoost (JQDB)		Gasolina	FWD	1596	110	150	07.10-06.14	*
1.6 EcoBoost (YUDA)		Gasolina	FWD	1596	110	150	07.10-06.14	*
1.6 EcoBoost (JTDA)		Gasolina	FWD	1596	134	182	07.10-06.14	*
1.6 EcoBoost (JTDB)		Gasolina	FWD	1596	134	182	07.10-06.14	*
2.0 (XQDA)		Gasolina	FWD	1999	110	150	10.13-02.20	*
2.0		Gasolina	FWD	1999	119	162	08.11-02.20	*
2.0 Flex		Gasolina	FWD	1999	119	162	09.12-	*
2.0 GDI (MGDA)		Gasolina	FWD	1999	125	170	08.11-02.20	*
1.6 Flexifuel (MUDA)		Gasol./Etanol	FWD	1596	88	120	07.10-02.20	*
1.6 Flexifuel (MUDD)		Gasol./Etanol	FWD	1596	88	120	07.10-02.20	*
1.6 SE Flex		Gasol./Etanol	FWD	1596	99	135	06.15-	*

LISTA DE APLICACIONES - BUYERS GUIDE

1.6 Flexifuel (YUDA)		Gasol./Etanol	FWD	1596	110	150	07.13-02.20	*	
2.0 Direct Flex		Gasol./Etanol	FWD	1999	131	179	10.13-06.19	*	
1.5 TDCi (XXDA)		Diesel	FWD	1499	70	95	11.14-02.20	*	
1.5 TDCi (XXDC)		Diesel	FWD	1499	70	95	11.14-02.20	*	
1.5 TDCi (XXDD)		Diesel	FWD	1499	70	95	11.14-02.20	*	
1.5 TDCi ECOnetic (AEDA)		Diesel	FWD	1499	77	105	11.14-02.20	*	
1.5 TDCi ECOnetic (XXDB)		Diesel	FWD	1499	77	105	11.14-02.20	*	
1.5 TDCi (XWDA)		Diesel	FWD	1499	88	120	11.14-02.20	*	
1.5 TDCi (XWDB)		Diesel	FWD	1499	88	120	11.14-02.20	*	
1.5 TDCi (XWDC)		Diesel	FWD	1499	88	120	11.14-02.20	*	
1.5 TDCi (XWDD)		Diesel	FWD	1499	88	120	11.14-02.20	*	
1.5 TDCi (XWDE)		Diesel	FWD	1499	88	120	11.14-02.20	*	
1.6 TDCi (T3DA)		Diesel	FWD	1560	70	95	07.10-02.20	*	
1.6 TDCi (T3DB)		Diesel	FWD	1560	70	95	07.10-02.20	*	
1.6 TDCi (NGDA)		Diesel	FWD	1560	77	105	05.12-07.15	*	
1.6 TDCi (NGDB)		Diesel	FWD	1560	77	105	05.12-07.15	*	
1.6 TDCi (T1DA)		Diesel	FWD	1560	85	115	07.10-02.20	*	
1.6 TDCi (T1DB)		Diesel	FWD	1560	85	115	07.10-02.20	*	
2.0 TDCi (TYDA)		Diesel	FWD	1997	85	115	07.10-06.14	*	
2.0 TDCi (UKDB)		Diesel	FWD	1997	100	136	07.10-06.14	*	
2.0 TDCi (UFDB)		Diesel	FWD	1997	103	140	07.10-06.14	*	
2.0 TDCi (T7DA)		Diesel	FWD	1997	110	150	11.14-02.20	*	
2.0 TDCi (T7DB)		Diesel	FWD	1997	110	150	11.14-02.20	*	
2.0 TDCi (TXDB)		Diesel	FWD	1997	120	163	07.10-06.14	*	
2.0 TDCi		Diesel	RWD	1997	132	180	07.14-	*	
FOCUS III Turnier (C346) 07.10-							[CAMBIADO]:Break (Compact car-C Segment)		
1.0 EcoBoost (M2DA)		Gasolina	FWD	998	74	100	02.12-02.20	*	
1.0 EcoBoost (M2DB)		Gasolina	FWD	998	74	100	02.12-02.20	*	
1.0 EcoBoost (M2DC)		Gasolina	FWD	998	74	100	02.12-02.20	*	
1.0 EcoBoost (SFDA)		Gasolina	FWD	998	74	100	02.12-02.20	*	
1.0 EcoBoost (SFDB)		Gasolina	FWD	998	74	100	02.12-02.20	*	
1.0 EcoBoost (M1DA)		Gasolina	FWD	998	92	125	02.12-02.20	*	
1.0 EcoBoost (M1DC)		Gasolina	FWD	998	92	125	02.12-02.20	*	
1.0 EcoBoost (M1DD)		Gasolina	FWD	998	92	125	02.12-02.20	*	
1.0 EcoBoost (M1DH)		Gasolina	FWD	998	103	140	10.17-02.20	*	
1.5 EcoBoost (M8DA)		Gasolina	FWD	1498	110	150	09.14-02.20	*	
1.5 EcoBoost (M8DB)		Gasolina	FWD	1498	110	150	09.14-02.20	*	
1.5 EcoBoost (M9DA)		Gasolina	FWD	1498	134	182	09.14-02.20	*	
1.5 EcoBoost (M9DB)		Gasolina	FWD	1498	134	182	09.14-02.20	*	
1.6 Ti (XTDA)		Gasolina	FWD	1596	63	85	08.11-02.20	*	
1.6 Ti (XTDB)		Gasolina	FWD	1596	63	85	08.11-02.20	*	
1.6 Ti (IQDB)		Gasolina	FWD	1596	77	105	07.10-02.20	*	
1.6 Ti		Gasolina	FWD	1596	77	105	07.14-	*	
1.6 Ti (MUDA)		Gasolina	FWD	1596	88	120	02.12-02.20	*	
1.6 Ti (MUDD)		Gasolina	FWD	1596	88	120	02.12-02.20	*	
1.6 Ti (PNDA)		Gasolina	FWD	1596	92	125	07.10-02.20	*	
1.6 Ti (PNDD)		Gasolina	FWD	1596	92	125	07.10-02.20	*	
1.6 EcoBoost (JQDA)		Gasolina	FWD	1596	110	150	07.10-06.14	*	
1.6 EcoBoost (JQDB)		Gasolina	FWD	1596	110	150	07.10-06.14	*	
1.6 EcoBoost (YUDA)		Gasolina	FWD	1596	110	150	07.10-06.14	*	

LISTA DE APLICACIONES - BUYERS GUIDE

1.6 EcoBoost (JTDA)		Gasolina	FWD	1596	134	182	07.10-06.14	*
1.6 EcoBoost (JTDB)		Gasolina	FWD	1596	134	182	07.10-06.14	*
2.0 (XQDA)		Gasolina	FWD	1999	110	150	10.13-02.20	*
2.0 Ti-GDi (MGDA)		Gasolina	FWD	1999	125	170	07.10-02.20	*
2.0 ST (R9DA)		Gasolina	FWD	1999	184	250	07.12-02.20	*
2.0 ST (R9DB)		Gasolina	FWD	1999	184	250	07.12-02.20	*
2.0 ST (R9DC)		Gasolina	FWD	1999	184	250	07.12-02.20	*
2.0 ST (R9DD)		Gasolina	FWD	1999	184	250	07.12-02.20	*
1.6 LPG (MUDA)		Gasol./Gas (LPG)	FWD	1596	86	117	02.12-02.20	*
1.6 LPG (MUDA)		Gasol./Gas (LPG)	FWD	1596	88	120	02.12-02.20	*
1.6 LPG (MUDD)		Gasol./Gas (LPG)	FWD	1596	88	120	02.12-02.20	*
1.6 Flexifuel (MUDA)		Gasol./Etanol	FWD	1596	88	120	07.10-02.20	*
1.6 Flexifuel (MUDD)		Gasol./Etanol	FWD	1596	88	120	07.10-02.20	*
1.6 Flexifuel (YUDA)		Gasol./Etanol	FWD	1596	110	150	07.13-02.20	*
1.5 TDCi (XXDA)		Diesel	FWD	1499	70	95	09.14-02.20	*
1.5 TDCi (XXDC)		Diesel	FWD	1499	70	95	09.14-02.20	*
1.5 TDCi ECOnetic (XXDB)		Diesel	FWD	1499	77	105	09.14-02.20	*
1.5 TDCi ECOnetic		Diesel	FWD	1499	77	105	09.15-	*
1.5 TDCi (XWDA)		Diesel	FWD	1499	88	120	09.14-02.20	*
1.5 TDCi (XWDB)		Diesel	FWD	1499	88	120	09.14-02.20	*
1.5 TDCi (XWDC)		Diesel	FWD	1499	88	120	09.14-02.20	*
1.5 TDCi (XWDD)		Diesel	FWD	1499	88	120	09.14-02.20	*
1.5 TDCi (XWDE)		Diesel	FWD	1499	88	120	09.14-02.20	*
1.6 TDCi (T3DA)		Diesel	FWD	1560	70	95	07.10-02.20	*
1.6 TDCi (T3DB)		Diesel	FWD	1560	70	95	07.10-02.20	*
1.6 TDCi ECOnetic (NGDA)		Diesel	FWD	1560	77	105	05.12-07.15	*
1.6 TDCi ECOnetic (NGDB)		Diesel	FWD	1560	77	105	05.12-07.15	*
1.6 TDCi (T1DA)		Diesel	FWD	1560	85	115	07.10-02.20	*
1.6 TDCi (T1DB)		Diesel	FWD	1560	85	115	07.10-02.20	*
2.0 TDCi (TYDA)		Diesel	FWD	1997	85	115	07.10-06.14	*
2.0 TDCi (UKDB)		Diesel	FWD	1997	100	136	07.10-06.14	*
2.0 TDCi (UFDB)		Diesel	FWD	1997	103	140	07.10-06.14	*
2.0 TDCi (T7DA)		Diesel	FWD	1997	110	150	11.14-02.20	*
2.0 TDCi (T7DB)		Diesel	FWD	1997	110	150	11.14-02.20	*
2.0 TDCi (TXDB)		Diesel	FWD	1997	120	163	07.10-06.14	*
2.0 TDCi ST (T8DA)		Diesel	FWD	1997	136	185	11.14-02.20	*
FOCUS C-MAX (DM2) 10.03-03.07					MPV (Compact MPV-M1 Segment)			
1.6 (HWDA)		Gasolina	FWD	1596	74	100	10.03-03.07	*
1.6 (HWDB)		Gasolina	FWD	1596	74	100	10.03-03.07	*
1.6 (SHDA)		Gasolina	FWD	1596	74	100	10.03-03.07	*
1.6 (SHDB)		Gasolina	FWD	1596	74	100	10.03-03.07	*
1.6 (SHDC)		Gasolina	FWD	1596	74	100	10.03-03.07	*
1.6 Ti (HXDA)		Gasolina	FWD	1596	85	115	08.04-03.07	*
1.6 Ti (SIDA)		Gasolina	FWD	1596	85	115	08.04-03.07	*
1.8 (CSDA)		Gasolina	FWD	1798	88	120	10.03-03.07	*
1.8 (CSDB)		Gasolina	FWD	1798	88	120	10.03-03.07	*
1.8 (QQDC)		Gasolina	FWD	1798	90	122	09.05-03.07	*
1.8 (Q7DA)		Gasolina	FWD	1798	92	125	04.04-03.07	*

LISTA DE APLICACIONES - BUYERS GUIDE

1.8 (QQDA)		Gasolina	FWD	1798	92	125	04.04-03.07	*
1.8 (QQDB)		Gasolina	FWD	1798	92	125	04.04-03.07	*
2.0 (AODA)		Gasolina	FWD	1999	107	145	03.04-03.07	*
2.0 (AODB)		Gasolina	FWD	1999	107	145	03.04-03.07	*
2.0 (AODE)		Gasolina	FWD	1999	107	145	03.04-03.07	*
2.0 (SYDA)		Gasolina	FWD	1999	107	145	03.04-03.07	*
1.8 Flexifuel (Q7DA)		Gasol./Etanol	FWD	1798	92	125	01.06-03.07	*
1.6 TDCi (HHDA)		Diesel	FWD	1560	66	90	02.05-03.07	*
1.6 TDCi (HHDB)		Diesel	FWD	1560	66	90	02.05-03.07	*
1.6 TDCi (G8DA)		Diesel	FWD	1560	80	109	10.03-03.07	*
1.6 TDCi (G8DB)		Diesel	FWD	1560	80	109	10.03-03.07	*
1.6 TDCi (G8DD)		Diesel	FWD	1560	80	109	10.03-03.07	*
1.6 TDCi (G8DE)		Diesel	FWD	1560	80	109	10.03-03.07	*
1.6 TDCi (G8DF)		Diesel	FWD	1560	80	109	10.03-03.07	*
1.8 TDCi (KKDA)		Diesel	FWD	1753	85	115	01.05-03.07	*
1.8 TDCi (KKDB)		Diesel	FWD	1753	85	115	01.05-03.07	*
2.0 TDCi (G6DC)		Diesel	FWD	1997	98	133	10.03-03.07	*
2.0 TDCi (G6DE)		Diesel	FWD	1997	98	133	10.03-03.07	*
2.0 TDCi (G6DF)		Diesel	FWD	1997	98	133	10.03-03.07	*
2.0 TDCi (G6DA)		Diesel	FWD	1997	100	136	10.03-03.07	*
2.0 TDCi (G6DB)		Diesel	FWD	1997	100	136	10.03-03.07	*
2.0 TDCi (G6DD)		Diesel	FWD	1997	100	136	10.03-03.07	*
2.0 TDCi (G6DG)		Diesel	FWD	1997	100	136	10.03-03.07	*
FOCUS Turnier (DNW) 02.99-12.07							[CAMBIADO]:Break (Compact car-C Segment)	
1.8 Bifuel (EYDL)		Gasol./Gas (LPG)	FWD	1796	82	111	02.03-01.05	*
GRAND C-MAX 12.10-							Furgoneta/MPV (LCVs-N1 Segment)	
1.0 EcoBoost (B3DA)		Gasolina	FWD	998	74	100	10.12-06.18	*
1.0 EcoBoost (M2DA)		Gasolina	FWD	998	74	100	10.12-06.18	*
1.0 EcoBoost (M2DC)		Gasolina	FWD	998	74	100	10.12-06.18	*
1.0 EcoBoost (B7DA)		Gasolina	FWD	998	92	125	10.12-06.19	*
1.0 EcoBoost (M1DA)		Gasolina	FWD	998	92	125	10.12-06.19	*
1.0 EcoBoost (M1DD)		Gasolina	FWD	998	92	125	10.12-06.19	*
1.5 EcoBoost (M8DB)		Gasolina	FWD	1498	110	150	03.15-06.19	*
1.6 Ti		Gasolina	FWD	1596	92	125	12.10-12.14	*
1.6 EcoBoost (JQDA)		Gasolina	FWD	1596	110	150	12.10-06.19	*
1.6 EcoBoost (JQDB)		Gasolina	FWD	1596	110	150	12.10-06.19	*
1.6 EcoBoost		Gasolina	FWD	1596	134	182	12.10-06.19	*
1.5 TDCi (XWDA)		Diesel	FWD	1499	88	120	03.15-06.19	*
1.5 TDCi (XWDB)		Diesel	FWD	1499	88	120	03.15-06.19	*
1.5 TDCi (XWDC)		Diesel	FWD	1499	88	120	03.15-06.19	*
1.5 TDCi (XWDD)		Diesel	FWD	1499	88	120	03.15-06.19	*
1.5 TDCi (XWDE)		Diesel	FWD	1499	88	120	03.15-06.19	*
1.6 TDCi (T3DA)		Diesel	FWD	1560	70	95	12.10-06.19	*
1.6 TDCi (T3DB)		Diesel	FWD	1560	70	95	12.10-06.19	*
1.6 TDCi (T1DA)		Diesel	FWD	1560	85	115	12.10-06.19	*
1.6 TDCi (T1DB)		Diesel	FWD	1560	85	115	12.10-06.19	*
2.0 TDCi (TYDA)		Diesel	FWD	1997	85	115	02.11-06.19	*
2.0 TDCi (UFDB)		Diesel	FWD	1997	103	140	12.10-06.19	*
2.0 TDCi (T7DB)		Diesel	FWD	1997	110	150	03.15-06.19	*
2.0 TDCi (T7DC)		Diesel	FWD	1997	110	150	03.15-06.19	*

LISTA DE APLICACIONES - BUYERS GUIDE

2.0 TDCi (TXDB)		Diesel	FWD	1997	120	163	12.10-06.19	*
2.0 TDCi (T8DE)		Diesel	FWD	1997	125	170	03.15-06.19	*
GRAND C-MAX (DXA/CB7, DXA/CEU) 12.10-					MPV (Large MPV-M1 Segment)			
1.0 EcoBoost (B3DA)		Gasolina	FWD	998	74	100	10.12-06.19	*
1.0 EcoBoost (M2DA)		Gasolina	FWD	998	74	100	10.12-06.19	*
1.0 EcoBoost (M2DC)		Gasolina	FWD	998	74	100	10.12-06.19	*
1.0 EcoBoost (B7DA)		Gasolina	FWD	998	92	125	10.12-06.19	*
1.0 EcoBoost (M1DA)		Gasolina	FWD	998	92	125	10.12-06.19	*
1.0 EcoBoost (M1DD)		Gasolina	FWD	998	92	125	10.12-06.19	*
1.0 EcoBoost		Gasolina	FWD	999	74	101	07.18-06.19	*
1.0 EcoBoost		Gasolina	FWD	999	92	125	07.18-06.19	*
1.5 EcoBoost (M8DB)		Gasolina	FWD	1498	110	150	03.15-06.19	*
1.5 EcoBoost (M9DB)		Gasolina	FWD	1498	134	182	03.15-06.19	*
1.6 Ti (XTDA)		Gasolina	FWD	1596	63	86	12.10-06.19	*
1.6 Ti (IQDA)		Gasolina	FWD	1596	77	105	12.10-06.19	*
1.6 Ti (IQDB)		Gasolina	FWD	1596	77	105	12.10-06.19	*
1.6 Ti (PNDA)		Gasolina	FWD	1596	92	125	12.10-06.19	*
1.6 Ti (PNDD)		Gasolina	FWD	1596	92	125	12.10-06.19	*
1.6 EcoBoost (JQDA)		Gasolina	FWD	1596	110	150	12.10-06.19	*
1.6 EcoBoost (JQDB)		Gasolina	FWD	1596	110	150	12.10-06.19	*
1.6 EcoBoost (JTDA)		Gasolina	FWD	1596	134	182	12.10-06.19	*
1.6 EcoBoost (JTDB)		Gasolina	FWD	1596	134	182	12.10-06.19	*
1.5 TDCi (XXDA)		Diesel	FWD	1499	70	95	03.15-06.19	*
1.5 TDCi (XXDC)		Diesel	FWD	1499	70	95	03.15-06.19	*
1.5 TDCi (XWDA)		Diesel	FWD	1499	88	120	03.15-06.19	*
1.5 TDCi (XWDB)		Diesel	FWD	1499	88	120	03.15-06.19	*
1.5 TDCi (XWDC)		Diesel	FWD	1499	88	120	03.15-06.19	*
1.5 TDCi (XWDD)		Diesel	FWD	1499	88	120	03.15-06.19	*
1.5 TDCi (XWDE)		Diesel	FWD	1499	88	120	03.15-06.19	*
1.6 TDCi (T3DA)		Diesel	FWD	1560	70	95	12.10-06.19	*
1.6 TDCi (T3DB)		Diesel	FWD	1560	70	95	12.10-06.19	*
1.6 TDCi (T1DA)		Diesel	FWD	1560	85	115	12.10-06.19	*
1.6 TDCi (T1DB)		Diesel	FWD	1560	85	115	12.10-06.19	*
2.0 TDCi (TYDA)		Diesel	FWD	1997	85	115	02.11-06.19	*
2.0 TDCi (UKDB)		Diesel	FWD	1997	100	136	02.11-06.19	*
2.0 TDCi (UFDB)		Diesel	FWD	1997	103	140	02.11-06.19	*
2.0 TDCi (T7DB)		Diesel	FWD	1997	110	150	03.15-06.19	*
2.0 TDCi (T7DC)		Diesel	FWD	1997	110	150	03.15-06.19	*
2.0 TDCi (TXDB)		Diesel	FWD	1997	120	163	12.10-06.19	*
2.0 TDCi (T8DE)		Diesel	FWD	1997	125	170	03.15-06.19	*
KUGA 02.08-11.12					Furgoneta/SUV (Compact SUV-J Segment)			
2.5		Gasolina	4WD	2521	147	200	02.08-11.12	*
TDCi		Diesel	FWD	1997	103	140	03.10-11.12	*
TDCi 4x4		Diesel	4WD	1997	103	140	03.10-11.12	*
TDCi 4x4		Diesel	4WD	1997	120	163	03.10-11.12	*
KUGA 02.08-11.12					SUV (Compact SUV-J Segment)			
2.5 (HYDB)		Gasolina	FWD	2522	147	200	03.09-11.12	*
2.5 (HYDC)		Gasolina	FWD	2522	147	200	03.09-11.12	*
2.5 4x4 (HYDB)		Gasolina	4WD	2522	147	200	02.08-11.12	*
2.5 4x4 (HYDC)		Gasolina	4WD	2522	147	200	02.08-11.12	*

LISTA DE APLICACIONES - BUYERS GUIDE

2.0 TDCi (G6DG)		Diesel	FWD	1997	100	136	03.08-11.12	*
2.0 TDCi (UKDA)		Diesel	FWD	1997	100	136	03.08-11.12	*
2.0 TDCi 4x4 (G6DG)		Diesel	4WD	1997	100	136	03.08-11.12	*
2.0 TDCi 4x4 (UKDA)		Diesel	4WD	1997	100	136	03.08-11.12	*
2.0 TDCi (UFDA)		Diesel	FWD	1997	103	140	03.10-11.12	*
2.0 TDCi 4x4 (UFDA)		Diesel	4WD	1997	103	140	03.10-11.12	*
2.0 TDCi 4x4 (TXDA)		Diesel	4WD	1997	120	163	03.10-11.12	*
KUGA II / ESCAPE III 05.12-					Furgoneta/SUV (Compact SUV-J Segment)			
1.5 EcoBoost (M8MA)		Gasolina	FWD	1499	110	150	09.14-12.19	*
1.5 EcoBoost 4x4 (M9MA)		Gasolina	4WD	1499	134	182	09.14-12.19	*
KUGA II / ESCAPE III (DM2) 05.12-					SUV (Compact SUV-J Segment)			
1.5 EcoBoost (BNMA)		Gasolina	FWD	1499	88	120	01.16-06.19	*
1.5 EcoBoost (M8MA)		Gasolina	FWD	1499	110	150	09.14-06.19	*
1.5 EcoBoost 4x4 (M9MA)		Gasolina	4WD	1499	134	182	09.14-06.18	*
1.6 EcoBoost (JQMA)		Gasolina	FWD	1596	110	150	03.13-09.14	*
1.6 EcoBoost (JQMB)		Gasolina	FWD	1596	110	150	03.13-09.14	*
1.6 EcoBoost 4x4 (JQMA)		Gasolina	4WD	1596	110	150	03.13-09.14	*
1.6 EcoBoost 4x4 (JQMB)		Gasolina	4WD	1596	110	150	03.13-09.14	*
1.6 EcoBoost		Gasolina	FWD	1596	130	177	01.13-	*
1.6 EcoBoost 4x4 (JTMA)		Gasolina	4WD	1596	134	182	03.13-09.14	*
1.6		Gasolina	FWD	1601	133	181	03.13-	*
1.6		Gasolina	FWD	1601	133	181	03.13-	*
2.5		Gasolina	FWD	2488	110	150	01.14-12.19	*
1.5 TDCi (XWMB)		Diesel	FWD	1499	88	120	07.16-06.19	*
1.5 TDCi (XWMC)		Diesel	FWD	1499	88	120	07.16-06.19	*
2.0 TDCi (TYMA)		Diesel	FWD	1997	85	115	03.13-12.19	*
2.0 TDCi (XRMA)		Diesel	FWD	1997	88	120	09.14-06.19	*
2.0 TDCi (XRMB)		Diesel	FWD	1997	88	120	09.14-06.19	*
2.0 TDCi (UFMA)		Diesel	FWD	1997	103	140	03.13-09.14	*
2.0 TDCi 4x4 (UFMA)		Diesel	4WD	1997	103	140	03.13-09.14	*
2.0 TDCi (T7MA)		Diesel	FWD	1997	110	150	09.14-06.19	*
2.0 TDCi (T7MB)		Diesel	FWD	1997	110	150	09.14-06.19	*
2.0 TDCi (T7MC)		Diesel	FWD	1997	110	150	09.14-06.19	*
2.0 TDCi (T7MD)		Diesel	FWD	1997	110	150	09.14-06.19	*
2.0 TDCi 4x4 (T7MA)		Diesel	4WD	1997	110	150	09.14-06.19	*
2.0 TDCi 4x4 (T7MB)		Diesel	4WD	1997	110	150	09.14-06.19	*
2.0 TDCi 4x4 (TXDA)		Diesel	4WD	1997	120	163	03.13-09.14	*
2.0 TDCi 4x4 (TXMA)		Diesel	4WD	1997	120	163	03.13-09.14	*
2.0 TDCi 4x4 (T8MA)		Diesel	4WD	1997	132	180	09.14-06.19	*
2.0 TDCi 4x4 (T8MB)		Diesel	4WD	1997	132	180	09.14-06.19	*
TOURNEO CONNECT II / GRAND TOURNEO CONNECT V408 09.13-					MPV (Large MPV-M1 Segment)			
1.0 EcoBoost (B3GA)		Gasolina	FWD	998	74	100	11.13-12.22	*
1.0 EcoBoost (M2GA)		Gasolina	FWD	998	74	100	11.13-12.22	*
1.0 EcoBoost (M2GB)		Gasolina	FWD	998	74	100	11.13-12.22	*
1.6 EcoBoost (JQGA)		Gasolina	FWD	1596	110	150	11.13-12.22	*
1.5 EcoBlue (BEGA)		Diesel	FWD	1499	55	75	05.18-12.22	*
1.5 TDCi (XUGA)		Diesel	FWD	1499	55	75	05.15-12.22	*
1.5 TDCi		Diesel	FWD	1499	70	95	08.16-12.22	*
1.5 EcoBlue (Z2GA)		Diesel	FWD	1499	74	101	05.18-12.22	*
1.5 TDCi (XVGA)		Diesel	FWD	1499	74	101	05.15-12.22	*

LISTA DE APLICACIONES - BUYERS GUIDE

1.5 TDCi (XVGB)		Diesel	FWD	1499	74	101	05.15-12.22	*
1.5 TDCi (XVGC)		Diesel	FWD	1499	74	101	05.15-12.22	*
1.5 TDCi (XXGA)		Diesel	FWD	1499	74	101	05.15-12.22	*
1.5 EcoBlue (ZTGA)		Diesel	FWD	1499	88	120	05.18-12.22	*
1.5 TDCi (XWGA)		Diesel	FWD	1499	88	120	05.15-12.22	*
1.5 TDCi (XWGB)		Diesel	FWD	1499	88	120	05.15-12.22	*
1.5 TDCi (XWGC)		Diesel	FWD	1499	88	120	05.15-12.22	*
1.6 TDCi (UBGA)		Diesel	FWD	1560	55	75	09.13-12.22	*
1.6 TDCi (TZGA)		Diesel	FWD	1560	70	95	09.13-12.22	*
1.6 TDCi (TZGB)		Diesel	FWD	1560	70	95	09.13-12.22	*
1.6 TDCi (T1GA)		Diesel	FWD	1560	85	115	09.13-12.22	*
TRANSIT CONNECT II 09.13-					MPV (Large MPV-M1 Segment)			
1.5 EcoBlue (BEGA)		Diesel	FWD	1499	55	75	05.18-	*
1.5 TDCi (XUGA)		Diesel	FWD	1499	55	75	08.15-	*
1.5 EcoBlue (Z2GA)		Diesel	FWD	1499	74	101	05.18-	*
1.5 TDCi (XVGA)		Diesel	FWD	1499	74	101	05.15-	*
1.5 TDCi (XVGB)		Diesel	FWD	1499	74	101	05.15-	*
1.5 TDCi (XVGC)		Diesel	FWD	1499	74	101	05.15-	*
1.5 TDCi (XXGA)		Diesel	FWD	1499	74	101	05.15-	*
1.5 EcoBlue (ZTGA)		Diesel	FWD	1499	88	120	05.18-	*
1.5 TDCi (XWGA)		Diesel	FWD	1499	88	120	05.15-	*
1.5 TDCi (XWGB)		Diesel	FWD	1499	88	120	05.15-	*
1.5 TDCi (XWGC)		Diesel	FWD	1499	88	120	05.15-	*
1.6 TDCi (UBGA)		Diesel	FWD	1560	55	75	09.13-	*
1.6 TDCi (TZGA)		Diesel	FWD	1560	70	95	09.13-	*
1.6 TDCi (TZGB)		Diesel	FWD	1560	70	95	09.13-	*
1.6 TDCi (T1GA)		Diesel	FWD	1560	85	115	09.13-	*
TRANSIT CONNECT II V408 09.13-					Furgoneta/MPV (LCVs-N1 Segment)			
1.0 EcoBoost (B3GA)		Gasolina	FWD	998	74	100	09.13-	*
1.0 EcoBoost (M2GA)		Gasolina	FWD	998	74	100	09.13-	*
1.0 EcoBoost (M2GB)		Gasolina	FWD	998	74	100	09.13-	*
1.6 EcoBoost (JQGA)		Gasolina	FWD	1596	110	150	11.13-	*
1.0 Flexifuel		Gasol./Etanol	FWD	999	74	100	05.21-	*
1.5 EcoBlue (BEGA)		Diesel	FWD	1499	55	75	05.18-	*
1.5 TDCi (XUGA)		Diesel	FWD	1499	55	75	08.15-	*
1.5 TDCi		Diesel	FWD	1499	70	95	03.16-	*
1.5 EcoBlue (Z2GA)		Diesel	FWD	1499	74	101	05.18-	*
1.5 TDCi (XVGA)		Diesel	FWD	1499	74	101	05.15-	*
1.5 TDCi (XVGB)		Diesel	FWD	1499	74	101	05.15-	*
1.5 TDCi (XVGC)		Diesel	FWD	1499	74	101	05.15-	*
1.5 TDCi (XXGA)		Diesel	FWD	1499	74	101	05.15-	*
1.5 EcoBlue (ZTGA)		Diesel	FWD	1499	88	120	05.18-	*
1.5 TDCi (XWGA)		Diesel	FWD	1499	88	120	05.15-	*
1.5 TDCi (XWGB)		Diesel	FWD	1499	88	120	05.15-	*
1.5 TDCi (XWGC)		Diesel	FWD	1499	88	120	05.15-	*
1.6 TDCi (UBGA)		Diesel	FWD	1560	55	75	09.13-	*
1.6 TDCi (TZGA)		Diesel	FWD	1560	70	95	09.13-	*
1.6 TDCi (TZGB)		Diesel	FWD	1560	70	95	09.13-	*
1.6 TDCi (T1GA)		Diesel	FWD	1560	85	115	09.13-	*

FORD (CHANGAN)

LISTA DE APLICACIONES - BUYERS GUIDE

ECOSPORT 01.13-					SUV (Mini SUV-J Segment)			
GTDi		Gasolina	FWD	977	92	125	01.13-	*
1.0 (CAF372WQ0,GTDIQ3)		Gasolina	FWD	999	92	125	09.17-	*
1.5 (CAF384Q0)		Gasolina	FWD	1497	88	120	09.17-	*
1.5		Gasolina	FWD	1499	81	110	01.13-	*
2.0 S 4WD (GDIQ1)		Gasolina	4WD	1999	125	170	09.17-	*
1.6 Flex		Gasol./Etanol	FWD	1596	96	131	08.15-07.17	*
ESCORT 12.14-					Sedán (Compact car-C Segment)			
1.0 (CAF372WQ35)		Gasolina	FWD	999	94	128	10.18-	*
1.5 (CAF384Q25,CAF384Q26)		Gasolina	FWD	1497	90	122	10.18-	*
1.5 (CAF479Q1)		Gasolina	FWD	1498	83	113	12.14-	*
FOCUS (CD5) 09.05-12.11					[CAMBIADO]:Fastback (Compact car-C Segment)			
1.0 GTDi (CAF372WQ1)		Gasolina	FWD	999	92	125	07.15-	*
1.0 (CAF372WQ25,CAF372WQ26)		Gasolina	FWD	999	94	128	11.18-	*
1.5 GTDi (CAF479WQ2)		Gasolina	FWD	1499	135	184	07.15-	*
1.6		Gasolina	FWD	1596	92	125	04.12-	*
1.8		Gasolina	FWD	1798	91	122	08.06-12.11	*
1.8		Gasolina	FWD	1798	91	124	01.13-	*
2.0		Gasolina	FWD	1999	104	140	08.06-12.11	*
2.0		Gasolina	FWD	1999	125	170	04.12-	*
FOCUS (CD4) 09.05-12.11					Sedán (Compact car-C Segment)			
1.0 GTDi (CAF372WQ1)		Gasolina	FWD	999	92	125	07.15-	*
1.0 (CAF372WQ25,CAF372WQ26)		Gasolina	FWD	999	94	128	11.18-	*
1.5 GTDi (CAF479WQ2)		Gasolina	FWD	1499	135	184	07.15-	*
1.6		Gasolina	FWD	1596	92	125	04.12-	*
1.8		Gasolina	FWD	1798	91	124	09.05-12.11	*
1.8		Gasolina	FWD	1798	91	124	01.13-	*
2.0		Gasolina	FWD	1999	104	140	09.05-12.11	*
2.0		Gasolina	FWD	1999	125	170	04.12-	*
FOCUS Active 08.19-					[CAMBIADO]:Fastback (Compact car-C Segment)			
EcoBoost 180 (CAF384WQ06)		Gasolina	FWD	1497	128	174	08.19-	*
FOCUS Shooting Brake 11.20-					[CAMBIADO]:Break (Compact car-C Segment)			
EcoBoost 180 (CAF384WQ06)		Gasolina	FWD	1497	128	174	11.20-	*
KUGA 01.13-					SUV (Compact SUV-J Segment)			
1.5 GTDi (CAF479WQ1)		Gasolina	FWD	1499	133	181	01.15-	*
1.6 GTDi		Gasolina	FWD	1596	130	177	01.13-	*
1.6 GTDi		Gasolina	FWD	1596	130	177	01.13-	*
2.0 GTDi		Gasolina	FWD	1998	178	242	01.13-	*
FORD AUSTRALIA								
ECOSPORT (BK, BL) 12.13-					SUV (Mini SUV-J Segment)			
1.0 EcoBoost		Gasolina	FWD	999	92	125	12.13-	*
1.5 Ti-VCT (XZJF)		Gasolina	FWD	1496	90	122	10.17-	*
1.5		Gasolina	FWD	1499	82	112	12.13-	*
FOCUS (LT) 07.07-03.09					[CAMBIADO]:Fastback (Compact car-C Segment)			
1.5 i		Gasolina	FWD	1498	132	180	05.15-	*
1.6 i		Gasolina	FWD	1596	92	125	08.11-	*
2.0 i		Gasolina	FWD	1999	107	145	05.05-03.09	*

LISTA DE APLICACIONES - BUYERS GUIDE

2.0 i		Gasolina	FWD	1999	107	146	03.09-08.11	*	
2.0 GDI		Gasolina	FWD	1999	125	170	08.11-	*	
2.0 ST (R9DA)		Gasolina	FWD	1999	184	250	05.15-	*	
2.0 TDCi		Diesel	RWD	1997	100	136	04.07-03.09	*	
2.0 TDCi		Diesel	RWD	1997	100	136	03.09-08.11	*	
2.0 TDCi		Diesel	RWD	1997	120	163	08.11-	*	
FOCUS (LT) 12.07-					Coupé (Compact car-C Segment)				
2.0		Gasolina	FWD	1999	107	145	12.07-03.09	*	
FOCUS (LS, LT) 05.05-					Sedán (Compact car-C Segment)				
1.5 i		Gasolina	FWD	1498	132	180	05.15-	*	
1.6 i		Gasolina	FWD	1596	92	125	08.11-	*	
2.0 i		Gasolina	FWD	1999	107	145	05.05-03.09	*	
2.0 i		Gasolina	FWD	1999	107	146	03.09-08.11	*	
2.0 GDI		Gasolina	FWD	1999	125	170	08.11-	*	
2.0 TDCi		Diesel	RWD	1997	100	136	03.09-08.11	*	
2.0 TDCi		Diesel	RWD	1997	120	163	08.11-	*	
KUGA (TE) 01.11-11.14					[CAMBIADO]:Fastback (Compact SUV-J Segment)				
1.6 EcoBoost		Gasolina	FWD	1596	110	150	04.13-11.14	*	
1.6 EcoBoost		Gasolina	FWD	1596	134	182	04.13-11.14	*	
2.5		Gasolina	FWD	2522	147	200	05.12-	*	
2.0 D		Diesel	RWD	1998	120	163	04.13-	*	
KUGA II (TF) 04.13-08.16					[CAMBIADO]:Fastback (Compact SUV-J Segment)				
2.0 EcoBoost		Gasolina	FWD	1999	178	242	11.14-	*	
FORD USA									
FOCUS (U.S.A.) 09.07-12.11					Coupé (Compact car-C Segment)				
2.0		Gasolina	FWD	1999	104	140	09.07-12.11	*	
FOCUS (U.S.A.) 09.07-12.11					Sedán (Compact car-C Segment)				
2.0		Gasolina	FWD	1999	105	143	09.07-12.11	*	
HOLDEN									
COLORADO (RG) 06.12-					Pick-up (Pick-Up Truck)				
2.8 TD		Diesel	RWD	2776	132	180	06.12-	*	
MAZDA									
3 II / AXELA (BL) 12.08-09.14					[CAMBIADO]:Fastback (Compact car-C Segment)				
1.5		Gasolina	FWD	1498	82	112	10.12-05.13	*	
1.6 MZR (BL14) (Z668)		Gasolina	FWD	1598	77	105	12.08-09.14	*	
1.6 MZR (BL14) (Z682)		Gasolina	FWD	1598	77	105	12.08-09.14	*	
1.6 MZR (BL14) (Z683)		Gasolina	FWD	1598	77	105	12.08-09.14	*	
1.6 MZR (Z6)		Gasolina	FWD	1598	79	107	01.10-12.13	*	
2.0 (BLEAP)		Gasolina	FWD	1998	105	143	05.09-02.12	*	
2.0 DISI (BLEFW) (LF-VDS)		Gasolina	FWD	1998	110	150	05.09-02.12	*	
2.0 (BLFFW, BL107, BLFFP)		Gasolina	FWD	1998	113	154	09.11-10.13	*	
2.0 (PEY7)		Gasolina	FWD	1998	116	158	09.11-05.13	*	
2.0 MZR (BLEFW, BL10F) (LF5H)		Gasolina	FWD	1999	108	147	04.09-09.14	*	
2.0 MZR (BLEFW, BL10F) (LF5W)		Gasolina	FWD	1999	108	147	04.09-09.14	*	
2.0 MZR (BLEFW) (LF5H)		Gasolina	FWD	1999	110	150	01.09-09.14	*	
2.0 MZR (BLEFW) (LF5W)		Gasolina	FWD	1999	110	150	01.09-09.14	*	
2.0 MZR DISI (BLEFW) (LFZ2)		Gasolina	FWD	1999	111	151	12.08-05.13	*	

LISTA DE APLICACIONES - BUYERS GUIDE

2.3 MPS Turbo (BL14) (L3Y7)		Gasolina	FWD	2261	191	260	12.08-09.14	*
2.5 (BL10) (L5-VE)		Gasolina	FWD	2488	122	166	03.09-09.14	*
2.5 (L5-Y3)		Gasolina	FWD	2488	123	167	09.09-12.11	*
2.5		Gasolina	FWD	2488	125	170	01.12-12.13	*
2.0		Gasol./Etanol	FWD	1999	108	147	06.10-05.13	*
1.6 MZ-CD (BL14) (Y642)		Diesel	FWD	1560	80	109	12.08-05.13	*
1.6 MZR CD (BL14) (Y650)		Diesel	FWD	1560	85	116	09.10-05.13	*
1.6 MZR CD (BL14) (Y655)		Diesel	FWD	1560	85	116	09.10-05.13	*
2.2 MZR CD (BL10) (R2AA)		Diesel	FWD	2184	110	150	01.09-10.13	*
2.2 MZR CD (BL10) (R2AA)		Diesel	FWD	2184	136	185	01.09-05.13	*
3 II / AXELA (BL) 12.08-				Sedán (Compact car-C Segment)				
1.5		Gasolina	FWD	1498	82	112	10.12-05.13	*
1.6 MZR (BL12) (Z668)		Gasolina	FWD	1598	77	105	12.08-09.14	*
1.6 MZR (BL12) (Z682)		Gasolina	FWD	1598	77	105	12.08-09.14	*
1.6 MZR (BL12) (Z683)		Gasolina	FWD	1598	77	105	12.08-09.14	*
2.0		Gasolina	FWD	1998	105	143	10.12-05.13	*
2.0 (BLFFP) (PEY2)		Gasolina	FWD	1998	113	154	09.11-09.14	*
2.0 MZR		Gasolina	FWD	1999	108	147	06.10-	*
2.0 MZR (BL12, BLEFP) (LF5H)		Gasolina	FWD	1999	110	150	03.09-09.14	*
2.0 MZR (BL12, BLEFP) (LF5W)		Gasolina	FWD	1999	110	150	03.09-09.14	*
2.0 MZR DISI (BL12) (LFZ2)		Gasolina	FWD	1999	111	151	02.09-05.13	*
2.5		Gasolina	FWD	2488	122	166	05.09-09.14	*
2.5		Gasolina	FWD	2488	125	170	01.10-	*
2.0 (LF5H)		Gasol./Etanol	FWD	1999	108	147	06.10-05.13	*
1.6 MZR CD (BL12) (Y642)		Diesel	FWD	1560	80	109	12.08-05.13	*
1.6 MZR CD (BL14) (Y650)		Diesel	FWD	1560	85	116	09.10-05.13	*
1.6 MZR CD (BL14) (Y655)		Diesel	FWD	1560	85	116	09.10-05.13	*
2.2 MZR CD (BL10) (R2AA)		Diesel	FWD	2184	110	150	01.09-09.14	*
2.2 MZR CD (BL10) (R2AA)		Diesel	FWD	2184	136	185	06.09-05.13	*
3 III / AXELA (BM_, BN_) 09.13-				Sedán (Compact car-C Segment)				
2.0		Gasolina	FWD	1998	116	158	01.14-05.19	*
3 / AXELA (BK) 10.03-12.09				[CAMBIADO]:Fastback (Compact car-C Segment)				
1.3 (BK14) (ZJ07)		Gasolina	FWD	1349	62	84	10.03-06.09	*
1.3 (BK14) (ZJ30)		Gasolina	FWD	1349	62	84	10.03-06.09	*
1.3 (BK14) (ZJ32)		Gasolina	FWD	1349	62	84	10.03-06.09	*
1.4		Gasolina	FWD	1388	59	80	02.04-06.09	*
1.5 (BK5P)		Gasolina	FWD	1498	84	114	10.03-03.09	*
1.6 (BK14) (Z601)		Gasolina	FWD	1598	77	105	10.03-06.09	*
1.6 (BK14) (Z627)		Gasolina	FWD	1598	77	105	10.03-06.09	*
1.6 (Z6)		Gasolina	FWD	1598	79	107	01.07-12.09	*
2.0 (BK10F, BKEP)		Gasolina	FWD	1999	104	141	10.03-06.06	*
2.0		Gasolina	FWD	1999	105	143	06.04-03.09	*
2.0 (BKEP) (LF50)		Gasolina	FWD	1999	110	150	10.03-12.09	*
2.0 (BKEP) (LF72)		Gasolina	FWD	1999	110	150	10.03-12.09	*
2.0 (BKEP) (LFDE)		Gasolina	FWD	1999	110	150	10.03-12.09	*
2.0 (BKEP) (LFN7)		Gasolina	FWD	1999	110	150	10.03-12.09	*
2.0 (BKEP) (LFN8)		Gasolina	FWD	1999	110	150	10.03-12.09	*
2.0 (BKEP) (LFVE)		Gasolina	FWD	1999	110	150	10.03-12.09	*
2.3 MZR (BK3P) (L3-VE)		Gasolina	FWD	2261	115	156	10.03-03.09	*

LISTA DE APLICACIONES - BUYERS GUIDE

2.3		Gasolina	FWD	2261	118	160	01.04-12.09	*	
2.3 MZR Sport		Gasolina	FWD	2261	126	171	10.03-06.09	*	
2.3 DiSi Turbo MPS (BK3P) (L3YH)		Gasolina	FWD	2261	184	250	06.06-06.09	*	
2.3 MPS Turbo (BK14) (L3M6)		Gasolina	FWD	2261	191	260	12.06-06.09	*	
2.3 MPS		Gasolina	FWD	2261	196	267	01.07-06.09	*	
1.6 MZ-CD (Y406)		Diesel	FWD	1560	66	90	06.06-12.09	*	
1.6 DI Turbo (Y601)		Diesel	FWD	1560	80	109	06.04-06.09	*	
1.6 DI Turbo (Y603)		Diesel	FWD	1560	80	109	06.04-06.09	*	
1.6 DI Turbo (Y605)		Diesel	FWD	1560	80	109	06.04-06.09	*	
1.6 DI Turbo (Y642)		Diesel	FWD	1560	80	109	06.04-06.09	*	
2.0 MZR-CD (BK14) (RF7J)		Diesel	FWD	1998	105	143	07.06-06.09	*	
2.0 MZR-CD (BK14) (RF8G)		Diesel	FWD	1998	105	143	07.06-06.09	*	
3 / AXELA (BK) 09.99-12.09							Sedán (Compact car-C Segment)		
1.6 (BK12) (Z601)		Gasolina	FWD	1598	77	105	02.04-06.09	*	
1.6 (BK12) (Z627)		Gasolina	FWD	1598	77	105	02.04-06.09	*	
1.8		Gasolina	FWD	1839	91	124	09.99-12.00	*	
2.0 16V		Gasolina	FWD	1995	109	148	01.04-	*	
2.0 16V		Gasolina	FWD	1995	110	150	01.04-	*	
2.0 16V		Gasolina	FWD	1995	110	150	01.04-	*	
2.0 (BK10F, BKEP) (LF17)		Gasolina	FWD	1999	104	141	10.03-06.06	*	
2.0 (BKEP) (LF50)		Gasolina	FWD	1999	110	150	10.03-12.09	*	
2.0 (BKEP) (LF72)		Gasolina	FWD	1999	110	150	10.03-12.09	*	
2.0 (BKEP) (LFDE)		Gasolina	FWD	1999	110	150	10.03-12.09	*	
2.0 (BKEP) (LFN7)		Gasolina	FWD	1999	110	150	10.03-12.09	*	
2.0 (BKEP) (LFN8)		Gasolina	FWD	1999	110	150	10.03-12.09	*	
2.0 (BKEP) (LFVE)		Gasolina	FWD	1999	110	150	10.03-12.09	*	
2.3 (L3-VE)		Gasolina	FWD	2261	118	160	03.04-03.09	*	
2.3 (BK3P)		Gasolina	FWD	2261	126	171	04.04-03.09	*	
2.3 MPS		Gasolina	FWD	2261	191	260	01.04-12.09	*	
2.3 16V		Gasolina	FWD	2295	116	158	01.04-	*	
2.3 16V		Gasolina	FWD	2295	118	160	01.04-	*	
2.3 16V		Gasolina	FWD	2295	118	160	01.04-	*	
2.3 16V		Gasolina	FWD	2295	118	160	01.04-	*	
2.3 16V		Gasolina	FWD	2295	118	160	01.04-	*	
1.6 DI Turbo (BK12Y) (Y601)		Diesel	FWD	1560	80	109	06.04-06.09	*	
1.6 DI Turbo (BK12Y) (Y603)		Diesel	FWD	1560	80	109	06.04-06.09	*	
1.6 DI Turbo (BK12Y) (Y605)		Diesel	FWD	1560	80	109	06.04-06.09	*	
1.6 DI Turbo (BK12Y) (Y642)		Diesel	FWD	1560	80	109	06.04-06.09	*	
2.0 MZR-CD (BK12) (RF7J)		Diesel	FWD	1998	105	143	12.06-06.09	*	
2.0 MZR-CD (BK12) (RF8G)		Diesel	FWD	1998	105	143	12.06-06.09	*	
5 II / PREMACY (CR) 02.05-12.10							MPV (Compact MPV-M1 Segment)		
1.8 (CR19) (L823)		Gasolina	FWD	1798	85	116	02.05-05.10	*	
2.0		Gasolina	FWD	1999	102	139	10.06-05.10	*	
2.0 (CREW, CR19) (LFF7)		Gasolina	FWD	1999	107	146	02.05-05.10	*	
2.3		Gasolina	FWD	2260	117	159	09.05-12.06	*	
2.3 (L3-V,L3X)		Gasolina	FWD	2261	114	155	09.06-12.10	*	
2.3 (CR3W)		Gasolina	FWD	2261	122	166	02.05-09.08	*	
2.0 CD (CR19) (RF7J)		Diesel	FWD	1998	81	110	02.05-05.10	*	
2.0 CD (CR19) (RF7J)		Diesel	FWD	1998	105	143	02.05-05.10	*	

LISTA DE APLICACIONES - BUYERS GUIDE

5 III / PREMACY (CW) 06.10-					MPV (Compact MPV-M1 Segment)			
1.8 MZR (L850)		Gasolina	FWD	1798	85	116	09.10-	*
2.0		Gasolina	FWD	1998	102	139	08.14-	*
2.0 (CWFFW)		Gasolina	FWD	1998	111	151	08.14-	*
2.0 (CWEFW) (LF-ZB)		Gasolina	FWD	1999	106	144	06.10-	*
2.0 (LF-ZB)		Gasolina	FWD	1999	108	147	01.11-	*
2.0 (CWEFW) (LF-ZB)		Gasolina	FWD	1999	110	150	09.10-	*
2.5 (L5-VE)		Gasolina	FWD	2488	117	159	09.11-	*
2.5		Gasolina	FWD	2498	117	159	01.12-	*
1.6 CD (Y650)		Diesel	FWD	1560	85	116	07.10-	*
1.6 CD (Y655)		Diesel	FWD	1560	85	116	07.10-	*
1.6 CD (Y6Y1)		Diesel	FWD	1560	85	116	07.10-	*
BIANTE (CC_) 06.08-					MPV (Large MPV-M1 Segment)			
2.0		Gasolina	FWD	1997	111	151	07.08-	*
2.0		Gasolina	FWD	1998	106	144	07.08-	*
2.0 (CCFFW) (PE-VPS)		Gasolina	FWD	1998	111	151	05.13-	*
2.3 (CC3FW)		Gasolina	FWD	2261	121	165	06.08-	*
PREMACY (CP) 01.99-03.05					MPV (Compact MPV-M1 Segment)			
2.0		Gasolina	FWD	1999	107	145	02.05-03.05	*
2.3 SVT		Gasolina	FWD	2261	122	166	02.05-03.05	*
MAZDA (CHANGAN)								
3 II / AXELA 09.11-					[CAMBIADO]:Fastback (Compact car-C Segment)			
1.6		Gasolina	FWD	1598	79	107	09.11-	*
2.0		Gasolina	FWD	1999	110	148	09.11-	*
3 II / AXELA 02.06-12.14					Sedán (Compact car-C Segment)			
1.6 (Z6)		Gasolina	FWD	1598	79	107	07.07-12.14	*
1.6		Gasolina	FWD	1598	79	107	01.09-	*
2.0		Gasolina	FWD	1999	110	148	02.06-	*
2.0		Gasolina	FWD	1999	110	150	09.11-	*
NISSAN								
LAFESTA (B35) 06.11-					MPV (Compact MPV-M1 Segment)			
2.0 (CWFFWN)		Gasolina	FWD	1997	111	151	06.11-	*
2.0 (CWEAWN)		Gasolina	FWD	1998	102	139	06.11-	*
2.0 (CWEFWN)		Gasolina	FWD	1999	110	150	06.11-	*
VOLVO								
C30 (533) 09.06-12.13					[CAMBIADO]:Fastback (Compact car-C Segment)			
1.6 (B 4164 S3)		Gasolina	FWD	1596	74	100	10.06-12.12	*
1.8 (B 4184 S11)		Gasolina	FWD	1798	92	125	10.06-12.12	*
2.0 (B 4204 S3)		Gasolina	FWD	1999	107	145	10.06-12.12	*
2.4 i (B 5244 S4)		Gasolina	FWD	2435	125	170	10.06-12.12	*
T5 (B 5254 T3)		Gasolina	FWD	2521	162	220	10.06-12.12	*
T5 (B 5254 T7)		Gasolina	FWD	2521	169	230	03.07-12.12	*
T5		Gasolina	FWD	2521	184	250	10.07-12.13	*
1.8 Flexfuel (B 4184 S8)		Gasol./Et anol	FWD	1798	92	125	01.07-12.12	*
2.0 FlexFuel (B 4204 S4)		Gasol./Et anol	FWD	1999	107	146	01.10-12.12	*
Electric (E400V1)		Eléctrico	FWD		82	112	12.10-12.12	*
Electric (E400V1)		Eléctrico	FWD		89	120	12.10-12.12	*

LISTA DE APLICACIONES - BUYERS GUIDE

1.6 D (D 4164 T)		Diesel	FWD	1560	80	109	10.06-12.12	*
D2 (D 4162 T)		Diesel	FWD	1560	84	115	10.10-12.12	*
D3 (D 5204 T5)		Diesel	FWD	1984	110	150	10.10-12.12	*
D4 (D 5204 T)		Diesel	FWD	1984	130	177	10.10-12.12	*
2.0 D (D 4204 T)		Diesel	FWD	1998	100	136	10.06-12.12	*
D5 (D 5244 T9)		Diesel	FWD	2400	120	163	10.06-12.12	*
D5 (D 5244 T13)		Diesel	FWD	2400	132	180	10.06-12.12	*
D5 (D 5244 T8)		Diesel	FWD	2400	132	180	10.06-12.12	*
C70 II (542) 03.06-12.13				Cabrio (Pony car-F Segment)				
2.4 (B 5244 S5)		Gasolina	FWD	2435	103	140	03.06-10.09	*
2.4 i (B 5244 S4)		Gasolina	FWD	2435	125	170	03.06-10.09	*
T5 (B 5254 T3)		Gasolina	FWD	2521	162	220	03.06-02.07	*
T5 (B 5254 T7)		Gasolina	FWD	2521	169	230	03.07-06.13	*
D3 (D 5204 T5)		Diesel	FWD	1984	110	150	10.10-06.13	*
D4 (D 5204 T)		Diesel	FWD	1984	130	177	10.10-06.13	*
2.0 D (D 4204 T)		Diesel	FWD	1998	100	136	01.08-10.09	*
2.4 D (D 5244 T9)		Diesel	FWD	2400	120	163	03.07-06.13	*
D5 (D 5244 T13)		Diesel	FWD	2400	132	180	03.06-06.13	*
D5 (D 5244 T8)		Diesel	FWD	2400	132	180	03.06-06.13	*
S40 II (544) 12.03-12.12				Sedán (Compact executive car-D Segment)				
1.6 (B 4164 S3)		Gasolina	FWD	1596	74	101	01.05-12.12	*
1.8 (B 4184 S11)		Gasolina	FWD	1798	92	125	04.04-12.10	*
1.9 (B 4204 T4)		Gasolina	FWD	1948	127	173	01.04-12.04	*
2.0 (B 4204 S3)		Gasolina	FWD	1999	107	146	10.06-12.12	*
2.4 (B 5244 S5)		Gasolina	FWD	2435	103	140	01.04-12.10	*
2.4 (B 5244 S4)		Gasolina	FWD	2435	125	170	01.04-12.12	*
2.4 AWD		Gasolina	4WD	2435	125	170	08.06-12.12	*
T5 (B 5254 T3)		Gasolina	FWD	2521	162	220	01.04-12.07	*
T5 AWD (B 5254 T3)		Gasolina	4WD	2521	162	220	04.04-12.07	*
T5 (B 5254 T7)		Gasolina	FWD	2521	169	230	03.07-12.12	*
T5 AWD (B 5254 T7)		Gasolina	4WD	2521	169	230	03.07-12.10	*
1.8 Flexfuel (B 4184 S8)		Gasol./Etanol	FWD	1798	92	125	01.06-12.10	*
2.0 F (B 4204 S4)		Gasol./Etanol	FWD	1999	107	146	10.09-12.12	*
1.6 D (D 4164 T)		Diesel	FWD	1560	81	110	01.05-12.12	*
D2 (D 4162 T)		Diesel	FWD	1560	84	115	10.10-12.12	*
D3 (D 5204 T5)		Diesel	FWD	1984	110	150	10.10-12.12	*
D4 (D 5204 T)		Diesel	FWD	1984	130	177	10.10-12.12	*
D4 (D 4204 T2)		Diesel	FWD	1998	96	131	07.05-12.06	*
2.0 CDI (D 4204 T2)		Diesel	FWD	1998	98	133	07.05-12.06	*
2.0 D (D 4204 T)		Diesel	FWD	1998	100	136	01.04-12.10	*
2.4 CDI (D 5244 T9)		Diesel	FWD	2400	120	163	03.07-12.10	*
D5 (D 5244 T13)		Diesel	FWD	2400	132	179	03.06-12.10	*
D5 (D 5244 T8)		Diesel	FWD	2400	132	179	03.06-12.10	*
V40 (645) 07.95-06.04				[CAMBIADO]:Break (Compact executive car-D Segment)				
2.0 D		Diesel	RWD	1998	100	136	12.02-06.04	*
V40 (526) 10.12-08.19				[CAMBIADO]:Fastback (Compact executive car-D Segment)				
T3		Gasolina	FWD	1498	112	152	04.15-08.19	*
T4 GTDi		Gasolina	FWD	1596	132	180	10.12-12.16	*

LISTA DE APLICACIONES - BUYERS GUIDE

T3		Gasolina	FWD	1969	112	152	02.15-08.19	*
T4		Gasolina	FWD	1969	140	190	08.15-08.19	*
T4 AWD (B 4204 T21)		Gasolina	4WD	1969	140	190	05.14-08.19	*
T5 AWD (B 4204 T11)		Gasolina	4WD	1969	180	245	05.14-08.19	*
T5 AWD (B 4204 T41)		Gasolina	4WD	1969	180	245	05.14-08.19	*
T5 Polestar AWD (B 4204 T11)		Gasolina	4WD	1969	186	253	01.15-08.19	*
T4		Gasolina	FWD	1984	132	180	10.13-12.15	*
T4 AWD (B 5204 T8)		Gasolina	4WD	1984	132	180	07.13-12.15	*
T5		Gasolina	FWD	1984	157	214	02.13-12.15	*
T5 AWD (B 5204 T9)		Gasolina	4WD	1984	157	214	03.13-12.15	*
T5		Gasolina	FWD	2497	183	249	01.14-12.15	*
T5 AWD		Gasolina	4WD	2497	183	249	01.14-12.15	*
T5		Gasolina	FWD	2497	187	254	10.12-12.16	*
T5 AWD (B 5254 T12)		Gasolina	4WD	2497	187	254	10.12-12.16	*
D2		Diesel	FWD	1560	84	114	10.12-12.16	*
D2		Diesel	FWD	1969	88	120	02.15-08.19	*
D3		Diesel	FWD	1969	110	150	04.15-08.19	*
D4		Diesel	FWD	1969	140	190	05.14-08.19	*
D4 Polestar		Diesel	FWD	1969	147	200	05.14-08.19	*
D3		Diesel	FWD	1984	110	150	10.12-03.15	*
D4		Diesel	FWD	1984	130	177	10.12-12.14	*
V40 (526) 09.13-12.15							Furgón/hatchback (Compact executive car-D Segment)	
1.6 D2/ DRiVe		Diesel	FWD	1560	84	114	09.13-12.15	*
2.0 D3		Diesel	FWD	1984	110	150	09.13-12.15	*
2.0 D4		Diesel	FWD	1984	130	177	09.13-12.14	*
V40 II (525) 03.12-							[CAMBIADO]:Fastback (Compact executive car-D Segment)	
T2 (B 4154 T3)		Gasolina	FWD	1498	90	122	02.15-08.19	*
T2 (B 4154 T5)		Gasolina	FWD	1498	90	122	02.15-08.19	*
T3		Gasolina	FWD	1498	90	122	09.18-	*
T3 (B 4154 T2)		Gasolina	FWD	1498	112	152	02.15-08.19	*
T3 (B 4154 T4)		Gasolina	FWD	1498	112	152	02.15-08.19	*
T2 GTDi (B 4164 T4)		Gasolina	FWD	1596	88	120	04.13-12.16	*
T3 GTDi (B 4164 T3)		Gasolina	FWD	1596	110	150	03.12-12.16	*
T4 GTDi (B 4164 T)		Gasolina	FWD	1596	132	180	03.12-12.16	*
T4 GTDi AWD		Gasolina	4WD	1596	132	180	03.12-	*
T4 (B 4164 T)		Gasolina	FWD	1596	147	200	04.14-12.15	*
2.0 T		Gasolina	FWD	1948	121	165	04.13-	*
T2 (B 4204 T17)		Gasolina	FWD	1969	90	122	02.15-08.19	*
T2 (B 4204 T38)		Gasolina	FWD	1969	90	122	02.15-08.19	*
T3 (B 4204 T33)		Gasolina	FWD	1969	112	152	02.15-08.19	*
T3 (B 4204 T37)		Gasolina	FWD	1969	112	152	02.15-08.19	*
T4 (B 4204 T19)		Gasolina	FWD	1969	140	190	08.15-08.19	*
T5 (B 4204 T11)		Gasolina	FWD	1969	180	245	05.14-08.19	*
T5 (B 4204 T41)		Gasolina	FWD	1969	180	245	05.14-08.19	*
T5 Drive-E Polestar (B 4204 T11)		Gasolina	FWD	1969	186	253	05.14-08.19	*
T4 (B 5204 T8)		Gasolina	FWD	1984	132	180	07.13-12.15	*
T5		Gasolina	FWD	1984	154	210	03.14-	*
T5 (B 5204 T9)		Gasolina	FWD	1984	154	210	01.15-	*
T5 (B 5204 T9)		Gasolina	FWD	1984	157	214	03.13-12.15	*
2.4		Gasolina	FWD	2435	125	170	10.13-	*

LISTA DE APLICACIONES - BUYERS GUIDE

T5 (B 5254 T14)		Gasolina	FWD	2497	183	249	01.14-12.14	*	
T5 (B 5254 T12)		Gasolina	FWD	2497	187	254	12.12-12.14	*	
D2 (D 4162 T)		Diesel	FWD	1560	84	114	03.12-12.16	*	
D2 (D 4204 T13)		Diesel	FWD	1969	88	120	02.15-08.19	*	
D2 (D 4204 T8)		Diesel	FWD	1969	88	120	02.15-08.19	*	
D3 (D 4204 T16)		Diesel	FWD	1969	110	150	04.15-08.19	*	
D3 (D 4204 T9)		Diesel	FWD	1969	110	150	04.15-08.19	*	
D4 (D 4204 T14)		Diesel	FWD	1969	140	190	05.14-08.19	*	
D4 Polestar (D 4204 T14)		Diesel	FWD	1969	147	200	05.14-08.19	*	
D3 (D 5204 T6)		Diesel	FWD	1984	110	150	03.12-03.15	*	
D4 (D 5204 T4)		Diesel	FWD	1984	130	177	03.12-12.14	*	
V40 II (525) 09.13-12.15							Furgón/hatchback (Compact executive car-D Segment)		
1.6 D2/ DRIVe (D 4162 T)		Diesel	FWD	1560	84	114	09.13-12.15	*	
2.0 D3 (D 5204 T6)		Diesel	FWD	1984	110	150	09.13-12.15	*	
2.0 D4 (D 5204 T4)		Diesel	FWD	1984	130	177	09.13-12.14	*	
V50 (545) 12.03-12.12							[CAMBIADO]:Break (Luxury car-F Segment)		
1.6 (B 4164 S3)		Gasolina	FWD	1596	74	101	01.05-12.12	*	
1.8 (B 4184 S11)		Gasolina	FWD	1798	92	125	04.04-12.10	*	
2.0 (B 4204 S3)		Gasolina	FWD	1999	107	146	10.06-12.12	*	
2.4 (B 5244 S5)		Gasolina	FWD	2435	103	140	04.04-12.10	*	
2.4 (B 5244 S4)		Gasolina	FWD	2435	125	170	04.04-12.10	*	
2.4 AWD (B 5244 S4)		Gasolina	4WD	2435	125	170	08.06-12.09	*	
T5 (B 5254 T3)		Gasolina	FWD	2521	162	220	04.04-12.07	*	
T5 AWD (B 5254 T3)		Gasolina	4WD	2521	162	220	04.04-12.07	*	
T5 (B 5254 T7)		Gasolina	FWD	2521	169	230	03.07-12.12	*	
T5 AWD (B 5254 T7)		Gasolina	4WD	2521	169	230	03.07-12.10	*	
1.8 Bifuel		Gasol./Gas (LPG)	FWD	1798	93	126	01.09-09.10	*	
1.8 Flexfuel (B 4184 S8)		Gasol./Etanol	FWD	1798	92	125	01.05-12.10	*	
2.0 FlexFuel (B 4204 S4)		Gasol./Etanol	FWD	1999	107	146	01.10-12.12	*	
1.6 D (D 4164 T)		Diesel	FWD	1560	80	109	03.05-12.12	*	
1.6 D (D 4164 T)		Diesel	FWD	1560	81	110	01.05-12.11	*	
D2 (D 4162 T)		Diesel	FWD	1560	84	114	01.10-12.12	*	
D3 (D 5204 T5)		Diesel	FWD	1984	110	150	10.10-12.12	*	
D4 (D 5204 T)		Diesel	FWD	1984	130	177	10.10-12.12	*	
2.0 D4 (D 4204 T2)		Diesel	FWD	1998	96	131	07.05-12.06	*	
2.0 CDI (D 4204 T2)		Diesel	FWD	1998	98	133	12.03-12.06	*	
2.0 D (D 4204 T)		Diesel	FWD	1998	100	136	04.04-12.10	*	
2.4 TDi (D 5244 T9)		Diesel	FWD	2400	120	163	05.07-12.10	*	
D5 (D 5244 T13)		Diesel	FWD	2400	132	179	03.06-12.10	*	
D5 (D 5244 T8)		Diesel	FWD	2400	132	179	03.06-12.10	*	
VOLVO (CHANGAN)									
S40 06.06-							Sedán (Compact car-C Segment)		
2.0		Gasolina	FWD	1999	107	146	01.09-	*	
2.4		Gasolina	FWD	2435	125	170	06.06-12.11	*	
2.5		Gasolina	FWD	2521	162	220	06.06-12.10	*	