

# LISTA DE APLICACIONES - BUYERS GUIDE

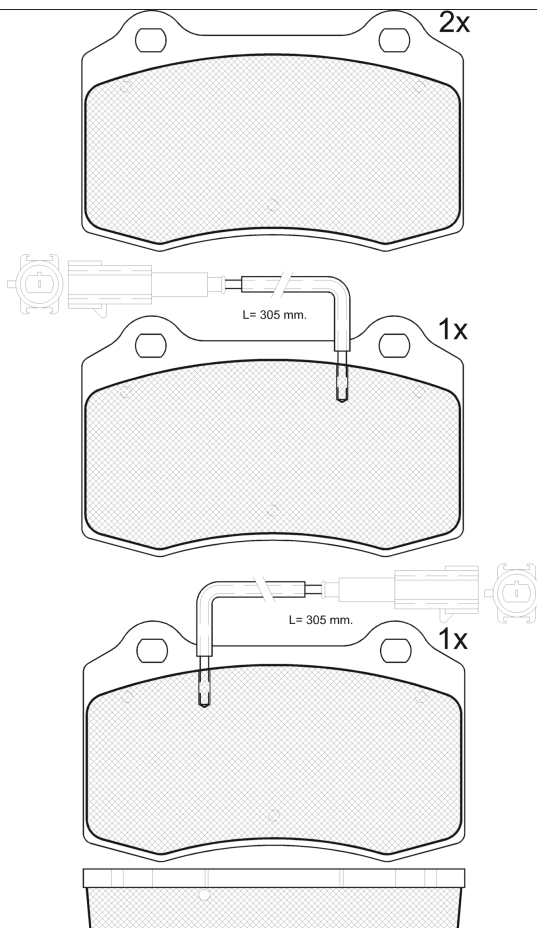
## RB1598



Qty: 300

Weight: 1.670

O.E.M.	MAKE
7 177 097 8	ALFA ROMEO
7 736 222 7	ALFA ROMEO
7 736 223 9	ALFA ROMEO
9 947 643	FIAT
9 949 509	ALFA ROMEO
9 949 533	ALFA ROMEO
9 950 812	ALFA ROMEO



## RB1598

**E 9** 90R-01111/1027



Brembo

109.7x69x17

WVA
21381
23206
23207

Sin Filas



	Trac.	CC	Kw	CV			Front / Rear
--	-------	----	----	----	--	--	--------------

### ALFA ROMEO

<b>147 (937_) 10.00-12.10</b>						<b>[CAMBIADO]:Fastback (Compact car-C Segment)</b>		
3.2 GTA (937.AXL1) (932 A.000)		Gasolina	FWD	3179	184	250	02.03-03.10	*
<b>156 (932_) 09.97-10.05</b>						<b>Sedán (Compact executive car-D Segment)</b>		
3.2 GTA (932AXB) (932 A.000)		Gasolina	FWD	3179	184	250	03.02-09.05	*
<b>156 Sport Wagon (932_) 02.97-05.06</b>						<b>[CAMBIADO]:Break (Compact executive car-D Segment)</b>		
3.2 GTA (932.BXB00) (932 A.000)		Gasolina	FWD	3179	184	250	03.02-05.06	*
<b>GTV II (916_) 09.94-10.05</b>						<b>Coupé (Sports car-S Segment)</b>		
3.0 V6 24V (916.C1B_) (AR 16105)		Gasolina	FWD	2959	160	218	10.00-10.05	*
3.0 V6 24V (916.C1) (AR 16102)		Gasolina	FWD	2959	162	220	10.96-10.00	*
3.2 V6 24V (916CXB00) (936 A6.000)		Gasolina	FWD	3179	176	240	04.03-10.05	*
<b>SPIDER IV (916_) 09.94-04.05</b>						<b>Cabrío (Sports car-S Segment)</b>		
3.0 V6 (916S1B00) (AR 16105)		Gasolina	FWD	2959	160	218	09.94-04.05	*
3.0 V6 24V (916S1) (AR 16102)		Gasolina	FWD	2959	162	220	01.99-10.03	*
3.2 V6 24V (916SXB00) (936 A6.000)		Gasolina	FWD	3179	176	240	04.03-04.05	*

### FIAT

<b>COUPE (175_) 11.93-08.00</b>						<b>Coupé (Sports car-S Segment)</b>		
2.0 20V Turbo (175 A3.000)		Gasolina	FWD	1998	162	220	08.96-08.00	*