

LISTA DE APLICACIONES - BUYERS GUIDE

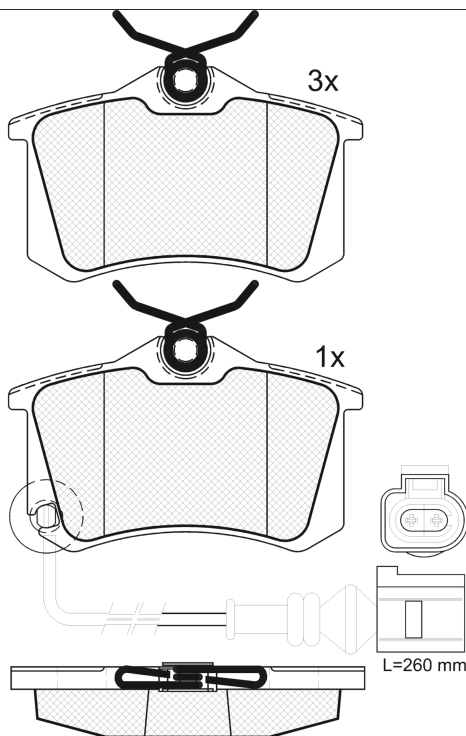
RB1593-703



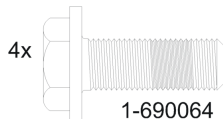
Qty: 944

Weight: 954

O.E.M.	MAKE
6Q0 698 451	VW
6Q0 698 451 B	VW
86 60 004 507	RENAULT
86 71 019 178	RENAULT
JZW 698 451 F	VW



181593-703



RB1593-703

E 9 90R-01110/981



Lucas - Girling

87x52.8x17.2

WVA	FMSI
20960	D1981-9209
23390	
23391	
23553	
23554	

Sin Filas



Trac.	CC	Kw	CV
-------	----	----	----



Front / Rear

SEAT

ALTEA (5P1) 03.04-

MPV (Compact MPV-M1 Segment)

1.4 16V (BXW)	Gasolina	FWD	1390	63	86	05.06-05.11	*
1.4 16V (CGGB)	Gasolina	FWD	1390	63	86	05.06-05.11	*
1.6 (BGU)	Gasolina	FWD	1595	75	102	03.04-03.10	*
1.6 (BSE)	Gasolina	FWD	1595	75	102	03.04-03.10	*
1.6 (BSF)	Gasolina	FWD	1595	75	102	03.04-03.10	*
1.6 (CCSA)	Gasolina	FWD	1595	75	102	03.04-03.10	*
2.0 FSI (BLR)	Gasolina	FWD	1984	110	150	05.04-03.09	*
2.0 FSI (BLY)	Gasolina	FWD	1984	110	150	05.04-03.09	*
2.0 FSI (BVY)	Gasolina	FWD	1984	110	150	05.04-03.09	*
2.0 FSI (BVZ)	Gasolina	FWD	1984	110	150	05.04-03.09	*
2.0 TFSI (BWA)	Gasolina	FWD	1984	147	200	04.06-05.09	*
1.9 TDI (BJB)	Diesel	FWD	1896	77	105	04.04-12.10	*
1.9 TDI (BKC)	Diesel	FWD	1896	77	105	04.04-12.10	*
1.9 TDI (BLS)	Diesel	FWD	1896	77	105	04.04-12.10	*
1.9 TDI (BXE)	Diesel	FWD	1896	77	105	04.04-12.10	*
2.0 TDI (AZV)	Diesel	FWD	1968	100	136	03.04-05.09	*
2.0 TDI (BMM)	Diesel	FWD	1968	103	140	11.05-11.10	*
2.0 TDI 16V (BKD)	Diesel	FWD	1968	103	140	03.04-07.15	*
2.0 TDI 16V (CFHC)	Diesel	FWD	1968	103	140	03.04-07.15	*
2.0 TDI (BMN)	Diesel	FWD	1968	125	170	03.06-05.10	*
2.0 TDI (CEGA)	Diesel	FWD	1968	125	170	03.06-05.10	*

ALTEA XL (5P5, 5P8) 10.06-

MPV (Compact MPV-M1 Segment)

1.4 16V (BXW)	Gasolina	FWD	1390	63	86	10.06-06.13	*
---------------	----------	-----	------	----	----	-------------	---

LISTA DE APLICACIONES - BUYERS GUIDE

1.4 16V (CGGB)		Gasolina	FWD	1390	63	86	10.06-06.13	*	
1.6 (BGU)		Gasolina	FWD	1595	75	102	10.06-11.10	*	
1.6 (BSE)		Gasolina	FWD	1595	75	102	10.06-11.10	*	
1.6 (BSF)		Gasolina	FWD	1595	75	102	10.06-11.10	*	
1.6 (CCSA)		Gasolina	FWD	1595	75	102	10.06-11.10	*	
2.0 FSI (BVY)		Gasolina	FWD	1984	110	150	10.06-03.09	*	
2.0 FSI (BVZ)		Gasolina	FWD	1984	110	150	10.06-03.09	*	
1.6 LPG (CHGA)		Gasol./Gas (LPG)	FWD	1595	75	102	09.09-06.13	*	
1.6 MultiFuel (BSE)		Gasol./Etanol	FWD	1595	75	102	10.06-11.10	*	
1.6 MultiFuel (BSF)		Gasol./Etanol	FWD	1595	75	102	10.06-11.10	*	
1.6 MultiFuel (CCSA)		Gasol./Etanol	FWD	1595	75	102	10.06-11.10	*	
1.6 MultiFuel (CMXA)		Gasol./Etanol	FWD	1595	75	102	10.06-11.10	*	
1.9 TDI (BKC)		Diesel	FWD	1896	77	105	10.06-12.10	*	
1.9 TDI (BLS)		Diesel	FWD	1896	77	105	10.06-12.10	*	
1.9 TDI (BXE)		Diesel	FWD	1896	77	105	10.06-12.10	*	
2.0 TDI (AZV)		Diesel	FWD	1968	100	136	11.06-03.09	*	
2.0 TDI (BMM)		Diesel	FWD	1968	103	140	10.06-11.10	*	
IBIZA III (6L1) 02.02-11.09							[CAMBIADO]:Fastback (Supermini car-B Segment)		
1.4 16V (BBY)		Gasolina	FWD	1390	55	75	02.02-12.07	*	
1.4 16V (BKY)		Gasolina	FWD	1390	55	75	02.02-12.07	*	
1.4 16V (BXW)		Gasolina	FWD	1390	63	86	05.06-11.09	*	
1.4 16V (AUB)		Gasolina	FWD	1390	74	100	02.02-11.09	*	
1.4 16V (BBZ)		Gasolina	FWD	1390	74	100	02.02-11.09	*	
1.6 (BAH)		Gasolina	FWD	1598	74	101	02.03-11.09	*	
1.6 16V (BTS)		Gasolina	FWD	1598	77	105	11.06-11.09	*	
2.0 (AZL)		Gasolina	FWD	1984	85	116	04.02-11.09	*	
2.0 (BBX)		Gasolina	FWD	1984	85	116	04.02-11.09	*	
1.9 TDI Cupra R (BPX)		Diesel	FWD	1896	118	160	03.04-02.08	*	
1.9 TDI Cupra R (BUK)		Diesel	FWD	1896	118	160	03.04-02.08	*	
IBIZA IV (6J5, 6P1) 03.08-							[CAMBIADO]:Fastback (Supermini car-B Segment)		
1.6 (CWVA)		Gasolina	FWD	1598	81	110	07.15-06.17	*	
IBIZA IV SC (6J1, 6P5) 06.08-12.18							[CAMBIADO]:Fastback (Supermini car-B Segment)		
1.4 TSI Cupra (CAVE)		Gasolina	FWD	1390	132	180	06.09-05.15	*	
1.4 TSI Cupra (CTHE)		Gasolina	FWD	1390	132	180	06.09-05.15	*	
1.4 TSI Cupra (CTJC)		Gasolina	FWD	1390	132	180	06.09-05.15	*	
1.6 (CWVA)		Gasolina	FWD	1598	81	110	07.15-12.16	*	
LEON II (1P1) 05.05-12.13							[CAMBIADO]:Fastback (Compact car-C Segment)		
1.2 TSI (CBZB)		Gasolina	FWD	1197	77	105	02.10-12.12	*	
1.4 16V (BXW)		Gasolina	FWD	1390	63	86	06.06-12.12	*	
1.4 16V (CGGB)		Gasolina	FWD	1390	63	86	06.06-12.12	*	
1.4 TSI (CAXC)		Gasolina	FWD	1390	92	125	11.07-12.12	*	
1.6 (BSE)		Gasolina	FWD	1595	75	102	07.05-12.12	*	
1.6 (BSF)		Gasolina	FWD	1595	75	102	07.05-12.12	*	
1.6 (CCSA)		Gasolina	FWD	1595	75	102	07.05-12.12	*	
1.8 TSI (BZB)		Gasolina	FWD	1798	118	160	06.07-12.12	*	
1.8 TSI (CDAA)		Gasolina	FWD	1798	118	160	06.07-12.12	*	
2.0 TFSI (BWA1)		Gasolina	FWD	1984	136	185	09.05-05.06	*	

LISTA DE APLICACIONES - BUYERS GUIDE

2.0 TFSI (BWA)		Gasolina	FWD	1984	147	200	05.05-03.09	*
2.0 TFSI (CCZB)		Gasolina	FWD	1984	155	211	06.09-12.12	*
2.0 TFSI (BWJ)		Gasolina	FWD	1984	177	240	11.06-05.11	*
2.0 TFSI (CDLD)		Gasolina	FWD	1984	177	240	11.06-05.11	*
2.0 Cupra R (CDLA)		Gasolina	FWD	1984	195	265	09.09-12.12	*
1.6 LPG (CHGA)		Gasol./Gas (LPG)	FWD	1595	75	102	12.09-12.12	*
1.6 TDI (CAYB)		Diesel	FWD	1598	66	90	11.10-12.12	*
1.6 TDI (CAYC)		Diesel	FWD	1598	77	105	02.10-12.12	*
1.9 TDI (BXF)		Diesel	FWD	1896	66	90	06.07-12.10	*
1.9 TDI (BKC)		Diesel	FWD	1896	77	105	07.05-12.10	*
1.9 TDI (BLS)		Diesel	FWD	1896	77	105	07.05-12.10	*
1.9 TDI (BXE)		Diesel	FWD	1896	77	105	07.05-12.10	*
2.0 TDI (AZV)		Diesel	FWD	1968	100	136	07.05-05.10	*
2.0 TDI (BMM)		Diesel	FWD	1968	103	140	10.05-10.10	*
2.0 TDI 16V (BKD)		Diesel	FWD	1968	103	140	07.05-12.12	*
2.0 TDI 16V (CFHC)		Diesel	FWD	1968	103	140	07.05-12.12	*
2.0 TDI 16V (CLCB)		Diesel	FWD	1968	103	140	07.05-12.12	*
SKODA								
FABIA (6Y2) 08.99-03.08						[CAMBIADO]:Fastback (Compact car-C Segment)		
1.4 16V (AUA)		Gasolina	FWD	1390	55	75	12.99-03.08	*
1.4 16V (BBY)		Gasolina	FWD	1390	55	75	12.99-03.08	*
1.4 16V (BKY)		Gasolina	FWD	1390	55	75	12.99-03.08	*
1.4		Gasolina	FWD	1390	59	80	02.06-10.06	*
1.4 16V (AUB)		Gasolina	FWD	1390	74	100	12.99-03.08	*
1.4 16V (BBZ)		Gasolina	FWD	1390	74	100	12.99-03.08	*
2.0 (AZL)		Gasolina	FWD	1984	85	116	12.99-03.08	*
1.4 TDI (BNM)		Diesel	FWD	1422	51	70	10.05-03.08	*
1.4 TDI (AMF)		Diesel	FWD	1422	55	75	04.03-03.08	*
1.4 TDI (BNV)		Diesel	FWD	1422	59	80	10.05-03.08	*
1.9 TDI (ATD)		Diesel	FWD	1896	74	100	01.00-03.08	*
1.9 TDI (AXR)		Diesel	FWD	1896	74	100	01.00-03.08	*
1.9 TDI RS (ASZ)		Diesel	FWD	1896	96	130	06.03-03.08	*
1.9 TDI RS (BLT)		Diesel	FWD	1896	96	130	06.03-03.08	*
FABIA (6Y5) 01.00-12.07						[CAMBIADO]:Furgón/Break (Compact car-C Segment)		
1.4 TDI (BNM)		Diesel	FWD	1422	51	70	10.05-12.07	*
FABIA (6Y3) 10.99-12.07						Sedán (Compact car-C Segment)		
1.4 16V (AUA)		Gasolina	FWD	1390	55	75	10.99-12.07	*
1.4 16V (BBY)		Gasolina	FWD	1390	55	75	10.99-12.07	*
1.4 16V (BKY)		Gasolina	FWD	1390	55	75	10.99-12.07	*
1.4 16V (BUD)		Gasolina	FWD	1390	59	80	04.06-12.07	*
1.4 16V (AUB)		Gasolina	FWD	1390	74	100	12.99-12.07	*
1.4 16V (BBZ)		Gasolina	FWD	1390	74	100	12.99-12.07	*
2.0 (AZL)		Gasolina	FWD	1984	85	116	12.99-12.07	*
1.4 TDI (BNM)		Diesel	FWD	1422	51	70	10.05-12.07	*
1.4 TDI (AMF)		Diesel	FWD	1422	55	75	04.03-12.07	*
1.4 TDI (BNV)		Diesel	FWD	1422	59	80	10.05-12.07	*
1.9 TDI (ATD)		Diesel	FWD	1896	74	100	01.00-12.07	*
1.9 TDI (AXR)		Diesel	FWD	1896	74	100	01.00-12.07	*

LISTA DE APLICACIONES - BUYERS GUIDE

					[CAMBIADO]:Break (Compact car-C Segment)				
FABIA III (NJ5) 08.14-									
1.0 (CHYA)		Gasolina	FWD	999	44	60	10.14-12.22	*	
1.0 (CHYE)		Gasolina	FWD	999	44	60	10.14-12.22	*	
1.0 (CHYB)		Gasolina	FWD	999	55	75	10.14-12.22	*	
1.0 TSI (CHZB)		Gasolina	FWD	999	70	95	08.14-12.22	*	
1.0 TSI (DKLD)		Gasolina	FWD	999	70	95	08.14-12.22	*	
1.0 TSI (CHZC)		Gasolina	FWD	999	81	110	08.14-12.22	*	
1.0 TSI (DKRC)		Gasolina	FWD	999	81	110	08.14-12.22	*	
1.2 TSI (CJZC)		Gasolina	FWD	1197	66	90	10.14-12.22	*	
1.2 TSI (CJZD)		Gasolina	FWD	1197	81	110	10.14-12.22	*	
1.6 (CWVA)		Gasolina	FWD	1598	81	110	01.15-12.22	*	
1.4 TDI (CUSA)		Diesel	FWD	1422	55	75	05.15-12.22	*	
1.4 TDI (CUSB)		Diesel	FWD	1422	66	90	10.14-12.22	*	
1.4 TDI (CUTA)		Diesel	FWD	1422	77	105	10.14-12.22	*	
FABIA III (NJ3) 08.14-					[CAMBIADO]:Fastback (Compact car-C Segment)				
1.0 (CHYA)		Gasolina	FWD	999	44	60	08.14-06.21	*	
1.0 (CHYE)		Gasolina	FWD	999	44	60	08.14-06.21	*	
1.0 (CHYB)		Gasolina	FWD	999	55	75	08.14-06.21	*	
1.0 TSI (CHZB)		Gasolina	FWD	999	70	95	08.14-06.21	*	
1.0 TSI (DKLD)		Gasolina	FWD	999	70	95	08.14-06.21	*	
1.0 TSI (CHZC)		Gasolina	FWD	999	81	110	08.14-06.21	*	
1.0 TSI (DKRC)		Gasolina	FWD	999	81	110	08.14-06.21	*	
1.2 TSI (CJZC)		Gasolina	FWD	1197	66	90	08.14-06.21	*	
1.2 TSI (CJZD)		Gasolina	FWD	1197	81	110	08.14-06.21	*	
1.6 (CWVA)		Gasolina	FWD	1598	81	110	01.15-06.21	*	
1.4 TDI (CUSA)		Diesel	FWD	1422	55	75	05.15-06.21	*	
1.4 TDI (CUSB)		Diesel	FWD	1422	66	90	08.14-06.21	*	
1.4 TDI (CUTA)		Diesel	FWD	1422	77	105	08.14-06.21	*	
FABIA Combi (6Y5) 04.00-12.07					[CAMBIADO]:Break (Compact car-C Segment)				
1.4 16V (AUA)		Gasolina	FWD	1390	55	75	05.00-12.07	*	
1.4 16V (BBY)		Gasolina	FWD	1390	55	75	05.00-12.07	*	
1.4 16V (BKY)		Gasolina	FWD	1390	55	75	05.00-12.07	*	
1.4 16V (BUD)		Gasolina	FWD	1390	59	80	04.06-12.07	*	
1.4 16V (AUB)		Gasolina	FWD	1390	74	100	04.00-12.07	*	
1.4 16V (BBZ)		Gasolina	FWD	1390	74	100	04.00-12.07	*	
2.0 (AZL)		Gasolina	FWD	1984	85	116	04.00-12.07	*	
1.4 TDI (BNM)		Diesel	FWD	1422	51	70	10.05-12.07	*	
1.4 TDI (AMF)		Diesel	FWD	1422	55	75	04.03-12.07	*	
1.9 TDI (ATD)		Diesel	FWD	1896	74	100	04.00-12.07	*	
1.9 TDI (AXR)		Diesel	FWD	1896	74	100	04.00-12.07	*	
YETI (5L) 05.09-					SUV (Mini SUV-J Segment)				
1.2 TSI (CBZB)		Gasolina	FWD	1197	77	105	09.09-05.15	*	
1.2 TSI (CYVB)		Gasolina	FWD	1197	81	110	05.15-12.17	*	
1.4 TSI (CZCA)		Gasolina	FWD	1395	92	125	05.15-12.17	*	
1.6 (CWVA)		Gasolina	FWD	1598	81	110	04.14-12.17	*	
1.6 TDI (CAYC)		Diesel	FWD	1598	77	105	11.10-05.15	*	
2.0 TDI (CFHA)		Diesel	FWD	1968	81	110	11.09-12.17	*	
2.0 TDI (CLCA)		Diesel	FWD	1968	81	110	11.09-12.17	*	
2.0 TDI (CUUA)		Diesel	FWD	1968	81	110	11.09-12.17	*	

LISTA DE APLICACIONES - BUYERS GUIDE

2.0 TDI (DFSA)		Diesel	FWD	1968	81	110	11.09-12.17	*
2.0 TDI (CUUB)		Diesel	FWD	1968	110	150	05.15-12.17	*
2.0 TDI (DFSB)		Diesel	FWD	1968	110	150	05.15-12.17	*
VW								
CADDY III (2KA, 2KH, 2CA, 2CH) 03.04-03.16					Furgoneta/MPV (LCVs-N1 Segment)			
1.2 TSI (CBZA)		Gasolina	FWD	1197	63	86	09.10-05.15	*
1.2 TSI (CBZB)		Gasolina	FWD	1197	77	105	09.10-05.15	*
1.4 (BCA)		Gasolina	FWD	1390	55	75	03.04-05.06	*
1.4 (BUD)		Gasolina	FWD	1390	59	80	05.06-08.10	*
1.6 (BGU)		Gasolina	FWD	1595	75	102	04.04-05.15	*
1.6 (BSE)		Gasolina	FWD	1595	75	102	04.04-05.15	*
1.6 (BSF)		Gasolina	FWD	1595	75	102	04.04-05.15	*
1.6 BiFuel (CHGA)		Gasol./Gas (LPG)	FWD	1595	75	102	05.11-05.15	*
1.6 TDI (CAYE)		Diesel	FWD	1598	55	75	08.10-05.15	*
1.6 TDI (CAYD)		Diesel	FWD	1598	75	102	08.10-05.15	*
1.9 TDI (BSU)		Diesel	FWD	1896	55	75	09.05-08.10	*
1.9 TDI (BJB)		Diesel	FWD	1896	77	105	04.04-08.10	*
1.9 TDI (BLS)		Diesel	FWD	1896	77	105	04.04-08.10	*
1.9 TDI 4motion (BLS)		Diesel	4WD	1896	77	105	11.08-08.10	*
2.0 SDI (BDJ)		Diesel	FWD	1968	51	70	03.04-08.10	*
2.0 SDI (BST)		Diesel	FWD	1968	51	70	03.04-08.10	*
2.0 TDI (CFHE)		Diesel	FWD	1968	62	85	11.10-05.15	*
2.0 TDI 4motion (CFHE)		Diesel	4WD	1968	62	85	12.10-05.15	*
2.0 TDI (CLCA)		Diesel	FWD	1968	81	110	08.10-05.15	*
2.0 TDI 4motion (CFHF)		Diesel	4WD	1968	81	110	08.10-05.15	*
2.0 TDI (BMM)		Diesel	FWD	1968	103	140	09.07-08.10	*
2.0 TDI 16V (CFHC)		Diesel	FWD	1968	103	140	11.10-05.15	*
2.0 TDI 16V (CLCB)		Diesel	FWD	1968	103	140	11.10-05.15	*
2.0 TDI 16V 4motion (CFHC)		Diesel	4WD	1968	103	140	11.10-05.15	*
2.0 TDI (CFJA)		Diesel	FWD	1968	125	170	05.12-05.15	*
2.0 EcoFuel (BSX)		CNG	FWD	1984	80	109	04.06-05.15	*
CADDY III (2KB, 2KJ, 2CB, 2CJ) 03.04-03.16					MPV (Mini MPV-M1 Segment)			
1.2 TSI (CBZA)		Gasolina	FWD	1197	63	86	09.10-05.15	*
1.2 TSI (CBZB)		Gasolina	FWD	1197	77	105	09.10-05.15	*
1.4 (BCA)		Gasolina	FWD	1390	55	75	03.04-05.06	*
1.4 (BUD)		Gasolina	FWD	1390	59	80	05.06-08.10	*
1.6 (BGU)		Gasolina	FWD	1595	75	102	04.04-05.15	*
1.6 (BSE)		Gasolina	FWD	1595	75	102	04.04-05.15	*
1.6 (BSF)		Gasolina	FWD	1595	75	102	04.04-05.15	*
1.6 BiFuel (CHGA)		Gasol./Gas (LPG)	FWD	1595	75	102	05.11-05.15	*
1.6 TDI (CAYE)		Diesel	FWD	1598	55	75	08.10-05.15	*
1.6 TDI (CAYD)		Diesel	FWD	1598	75	102	08.10-05.15	*
1.9 D		Diesel	FWD	1896	48	65	10.05-06.09	*
1.9 TDI (BSU)		Diesel	FWD	1896	55	75	09.05-08.10	*
1.9 TDI (BJB)		Diesel	FWD	1896	77	105	04.04-08.10	*
1.9 TDI (BLS)		Diesel	FWD	1896	77	105	04.04-08.10	*
1.9 TDI 4motion (BLS)		Diesel	4WD	1896	77	105	05.08-08.10	*
2.0 SDI (BDJ)		Diesel	FWD	1968	51	70	03.04-08.10	*
2.0 SDI (BST)		Diesel	FWD	1968	51	70	03.04-08.10	*
2.0 TDI (CLCA)		Diesel	FWD	1968	81	110	08.10-05.15	*

LISTA DE APLICACIONES - BUYERS GUIDE

2.0 TDI 4motion (CFHF)		Diesel	4WD	1968	81	110	08.10-05.15	*	
2.0 TDI (BMM)		Diesel	FWD	1968	103	140	09.07-08.10	*	
2.0 TDI 16V (CFHC)		Diesel	FWD	1968	103	140	11.10-05.15	*	
2.0 TDI 16V (CLCB)		Diesel	FWD	1968	103	140	11.10-05.15	*	
2.0 TDI 16V 4motion (CFHC)		Diesel	4WD	1968	103	140	11.10-05.15	*	
2.0 TDI (CFJA)		Diesel	FWD	1968	125	170	05.12-05.15	*	
2.0 EcoFuel (BSX)		CNG	FWD	1984	80	109	04.06-05.15	*	
CROSSPOLO 01.06-					Sedán (Supermini car-B Segment)				
1.4 16V		Gasolina	FWD	1395	74	101	01.06-	*	
1.4 TDI		Diesel	RWD	1395	51	70	01.06-	*	
1.9 TDI		Diesel	RWD	1895	74	101	01.06-	*	
EOS (1F7, 1F8) 03.06-08.15					Cabrio (Compact car-C Segment)				
1.4 TSI (CAXA)		Gasolina	FWD	1390	90	122	11.07-08.15	*	
1.4 TSI (CAVD)		Gasolina	FWD	1390	118	160	05.08-08.15	*	
1.4 TSI (CTHD)		Gasolina	FWD	1390	118	160	05.08-08.15	*	
1.6 FSI (BLF)		Gasolina	FWD	1598	85	115	06.06-05.08	*	
2.0 FSI (BVY)		Gasolina	FWD	1984	110	150	03.06-05.08	*	
2.0 FSI (BVZ)		Gasolina	FWD	1984	110	150	03.06-05.08	*	
2.0 TDI (CFFA)		Diesel	FWD	1968	100	136	11.10-08.15	*	
2.0 TDI (BMM)		Diesel	FWD	1968	103	140	06.06-05.08	*	
2.0 TDI 16V (CBAB)		Diesel	FWD	1968	103	140	05.08-08.15	*	
2.0 TDI 16V (CFFB)		Diesel	FWD	1968	103	140	05.08-08.15	*	
GOLF V / RABBIT V (1K1) 10.03-07.10					[CAMBIADO]:Fastback (Compact car-C Segment)				
1.4 16V (BCA)		Gasolina	FWD	1390	55	75	10.03-05.06	*	
1.4 16V (BUD)		Gasolina	FWD	1390	59	80	05.06-11.08	*	
1.4 FSI (BKG)		Gasolina	FWD	1390	66	90	10.03-07.06	*	
1.4 FSI (BLN)		Gasolina	FWD	1390	66	90	10.03-07.06	*	
1.4 TSI (CAXA)		Gasolina	FWD	1390	90	122	05.07-11.08	*	
1.4 TSI (BMY)		Gasolina	FWD	1390	103	140	05.06-11.08	*	
1.6 (BGU)		Gasolina	FWD	1595	75	102	01.04-11.08	*	
1.6 (BSE)		Gasolina	FWD	1595	75	102	01.04-11.08	*	
1.6 (BSF)		Gasolina	FWD	1595	75	102	01.04-11.08	*	
1.6 (CCSA)		Gasolina	FWD	1595	75	102	01.04-11.08	*	
1.6 FSI (BAG)		Gasolina	FWD	1598	85	115	10.03-07.08	*	
1.6 FSI (BLF)		Gasolina	FWD	1598	85	115	10.03-07.08	*	
1.6 FSI (BLP)		Gasolina	FWD	1598	85	115	10.03-07.08	*	
2.0 FSI (AXW)		Gasolina	FWD	1984	110	150	01.04-11.08	*	
2.0 FSI (BLR)		Gasolina	FWD	1984	110	150	01.04-11.08	*	
2.0 FSI (BLX)		Gasolina	FWD	1984	110	150	01.04-11.08	*	
2.0 FSI (BLY)		Gasolina	FWD	1984	110	150	01.04-11.08	*	
2.0 FSI (BVX)		Gasolina	FWD	1984	110	150	01.04-11.08	*	
2.0 FSI (BVY)		Gasolina	FWD	1984	110	150	01.04-11.08	*	
2.0 FSI (BVZ)		Gasolina	FWD	1984	110	150	01.04-11.08	*	
1.6 MultiFuel (CCSA)		Gasol./Etanol	FWD	1595	75	102	10.07-11.08	*	
1.9 TDI (BRU)		Diesel	FWD	1896	66	90	05.04-11.08	*	
1.9 TDI (BXF)		Diesel	FWD	1896	66	90	05.04-11.08	*	
1.9 TDI (BXJ)		Diesel	FWD	1896	66	90	05.04-11.08	*	
1.9 TDI (BKC)		Diesel	FWD	1896	77	105	10.03-11.08	*	
1.9 TDI (BLS)		Diesel	FWD	1896	77	105	10.03-11.08	*	
1.9 TDI (BXE)		Diesel	FWD	1896	77	105	10.03-11.08	*	

LISTA DE APLICACIONES - BUYERS GUIDE

2.0 SDI (BDK)		Diesel	FWD	1968	55	75	01.04-11.08	*
2.0 TDI (AZV)		Diesel	FWD	1968	100	136	10.03-11.08	*
2.0 TDI (BMM)		Diesel	FWD	1968	103	140	12.04-11.08	*
2.0 TDI 16V (BKD)		Diesel	FWD	1968	103	140	10.03-11.08	*
GOLF V / RABBIT V (1K1) 07.03-				Furgón/hatchback ()				
TDI		Diesel	FWD	1896	77	105	11.03-02.06	*
GOLF VI / JETTA VI (5K1) 10.08-12.14				[CAMBIADO]:Fastback (Compact car-C Segment)				
1.2 TSI (CBZA)		Gasolina	FWD	1197	63	86	05.10-11.12	*
1.2 TSI (CBZB)		Gasolina	FWD	1197	77	105	11.08-11.12	*
1.4 (CGGA)		Gasolina	FWD	1390	59	80	10.08-11.12	*
1.4 TSI (CAXA)		Gasolina	FWD	1390	90	122	10.08-11.12	*
1.4 TSI (CAVD)		Gasolina	FWD	1390	118	160	10.08-11.12	*
1.4 TSI (CNWA)		Gasolina	FWD	1390	118	160	10.08-11.12	*
1.4 TSI (CTHD)		Gasolina	FWD	1390	118	160	10.08-11.12	*
1.6 (BSE)		Gasolina	FWD	1595	75	102	10.08-11.12	*
1.6 (BSF)		Gasolina	FWD	1595	75	102	10.08-11.12	*
1.6 (CCSA)		Gasolina	FWD	1595	75	102	10.08-11.12	*
1.6 (CMXA)		Gasolina	FWD	1595	75	102	10.08-11.12	*
1.8 TSI (CDAA)		Gasolina	FWD	1798	118	160	06.09-01.11	*
2.0 Flex		Gasolina	FWD	1984	88	120	10.08-	*
2.0 GTI (CBFA)		Gasolina	FWD	1984	147	200	06.09-11.13	*
2.0 GTI (CCTA)		Gasolina	FWD	1984	147	200	06.09-11.13	*
2.0 GTI (CCZA)		Gasolina	FWD	1984	147	200	06.09-11.13	*
2.0 GTI (CCZB)		Gasolina	FWD	1984	155	210	04.09-11.12	*
2.0 GTI (CDLG)		Gasolina	FWD	1984	173	235	05.11-11.12	*
2.5 (CBTA)		Gasolina	FWD	2480	125	170	07.09-05.13	*
2.5 (CBUA)		Gasolina	FWD	2480	125	170	07.09-05.13	*
1.6 BiFuel (CHGA)		Gasol./Gas (LPG)	FWD	1595	75	102	03.09-11.12	*
1.6 MultiFuel (CCSA)		Gasol./Etanol	FWD	1595	75	102	10.08-11.12	*
1.6 MultiFuel (CMXA)		Gasol./Etanol	FWD	1595	75	102	10.08-11.12	*
1.6 TDI (CAYB)		Diesel	FWD	1598	66	90	02.09-11.12	*
1.6 TDI (CAYC)		Diesel	FWD	1598	77	105	02.09-11.12	*
2.0 TDI (CBDC)		Diesel	FWD	1968	81	110	10.08-11.12	*
2.0 TDI (CLCA)		Diesel	FWD	1968	81	110	10.08-11.12	*
2.0 TDI (CBAA)		Diesel	FWD	1968	100	136	10.08-11.12	*
2.0 TDI (CFFA)		Diesel	FWD	1968	100	136	10.08-11.12	*
2.0 TDI (CBAB)		Diesel	FWD	1968	103	140	10.08-05.13	*
2.0 TDI (CFFB)		Diesel	FWD	1968	103	140	10.08-05.13	*
2.0 TDI (CJAA)		Diesel	FWD	1968	103	140	10.08-05.13	*
2.0 TDI (CBBB)		Diesel	FWD	1968	125	170	04.09-11.12	*
2.0 TDI (CFGB)		Diesel	FWD	1968	125	170	04.09-11.12	*
GOLF VI / JETTA VI (517) 03.11-				Cabrio (Compact car-C Segment)				
1.2 TSI (CBZB)		Gasolina	FWD	1197	77	105	03.11-05.16	*
1.2 TSI 16V (CJZA)		Gasolina	FWD	1197	77	105	11.13-05.16	*
1.2 TSI 16V (CYVD)		Gasolina	FWD	1197	77	105	11.13-05.16	*
1.4 TSI (CAXA)		Gasolina	FWD	1390	90	122	11.11-05.16	*
1.4 TSI (CAVD)		Gasolina	FWD	1390	118	160	03.11-05.16	*
1.4 TSI (CNWA)		Gasolina	FWD	1390	118	160	03.11-05.16	*
1.4 TSI (CTHD)		Gasolina	FWD	1390	118	160	03.11-05.16	*

LISTA DE APLICACIONES - BUYERS GUIDE

1.4 TSI (CTKA)		Gasolina	FWD	1390	118	160	03.11-05.16	*
1.4 TSI (CXSB)		Gasolina	FWD	1395	92	125	11.13-05.16	*
1.4 TSI (CZCA)		Gasolina	FWD	1395	92	125	11.13-05.16	*
1.4 TSI (CHPB)		Gasolina	FWD	1395	110	150	11.13-05.16	*
1.4 TSI (CZDA)		Gasolina	FWD	1395	110	150	11.13-05.16	*
2.0 GTI (CCZB)		Gasolina	FWD	1984	155	211	05.12-05.16	*
2.0 TSI (CULC)		Gasolina	FWD	1984	162	220	11.13-05.16	*
2.0 R (CDLA)		Gasolina	FWD	1984	195	265	01.13-05.16	*
1.6 TDI (CAYC)		Diesel	FWD	1598	77	105	03.11-05.16	*
2.0 TDI (CUUA)		Diesel	FWD	1968	81	110	11.13-05.16	*
2.0 TDI (CFHC)		Diesel	FWD	1968	103	140	11.11-05.16	*
2.0 TDI (CUUB)		Diesel	FWD	1968	110	150	11.13-05.16	*
GOLF VI / JETTA VI (5K1) 10.08-11.12						Furgón/hatchback (Compact car-C Segment)		
1.2 TSI (CBZA)		Gasolina	FWD	1197	63	86	05.10-11.12	*
1.2 TSI (CBZB)		Gasolina	FWD	1197	77	105	05.09-11.12	*
1.2 TSI (CBZB)		Gasolina	FWD	1197	77	105	11.09-08.14	*
1.4 TSI (CAXA)		Gasolina	FWD	1390	90	122	01.09-08.14	*
TSi (CAXA)		Gasolina	FWD	1390	90	122	10.08-11.12	*
1.4 TSI (CAVD)		Gasolina	FWD	1390	118	160	10.08-11.12	*
1.4 TSI (CAVD)		Gasolina	FWD	1390	118	160	01.09-09.12	*
2.0 GTI (CCZB)		Gasolina	FWD	1984	155	211	02.09-11.12	*
1.6 TDI (CAYB)		Diesel	FWD	1598	66	90	02.09-11.12	*
1.6 TDI (CAYB)		Diesel	FWD	1598	66	90	02.09-08.14	*
1.6 TDI (CAYC)		Diesel	FWD	1598	77	105	05.09-11.12	*
1.6 TDI (CAYC)		Diesel	FWD	1598	77	105	02.09-08.14	*
2.0 TDI (CFFB)		Diesel	FWD	1968	103	140	09.09-11.12	*
2.0 TDI (CJAA)		Diesel	FWD	1968	103	140	09.09-11.12	*
2.0 TDI (CFHC)		Diesel	FWD	1968	103	140	11.09-08.14	*
2.0 TDI (CFGB)		Diesel	FWD	1968	125	170	05.10-11.12	*
GOLF VI VAN Variant / JETTA VI (AJ5) 07.09-05.14						[CAMBIADO]:Furgón/Break (Compact car-C Segment)		
1.2 TSI (CBZB)		Gasolina	FWD	1197	77	105	09.09-05.14	*
1.4 TSI (CAXA)		Gasolina	FWD	1390	90	122	07.09-05.14	*
1.4 TSI (CAVD)		Gasolina	FWD	1390	118	160	07.09-10.12	*
1.6 TDI (CAYC)		Diesel	FWD	1598	77	105	07.09-05.14	*
2.0 TDI (CBDB)		Diesel	FWD	1968	103	140	07.09-05.14	*
2.0 TDI (CFHC)		Diesel	FWD	1968	103	140	07.09-05.14	*
GOLF VI Variant / JETTA VI (AJ5) 07.09-07.14						[CAMBIADO]:Break (Compact car-C Segment)		
2.5		Gasolina	FWD	2480	125	170	07.09-	*
1.6 BiFuel (BSF)		Gasol./Gas (LPG)	FWD	1595	75	102	07.09-12.10	*
GOLF PLUS V (5M1, 521) 12.04-12.13						[CAMBIADO]:Fastback (Compact car-C Segment)		
1.2 TSI (CBZA)		Gasolina	FWD	1197	63	86	05.10-12.13	*
1.2 TSI (CBZB)		Gasolina	FWD	1197	77	105	11.09-12.13	*
1.4 16V (BCA)		Gasolina	FWD	1390	55	75	01.05-11.06	*
1.4 16V (BUD)		Gasolina	FWD	1390	59	80	05.06-12.13	*
1.4 16V (CGGA)		Gasolina	FWD	1390	59	80	05.06-12.13	*
1.4 FSI (BLN)		Gasolina	FWD	1390	66	90	07.05-11.06	*
1.4 TSI (CAXA)		Gasolina	FWD	1390	90	122	06.07-12.13	*
1.4 TSI (BMY)		Gasolina	FWD	1390	103	140	05.06-06.08	*
1.4 TSI (CAVD)		Gasolina	FWD	1390	118	160	06.08-12.13	*

LISTA DE APLICACIONES - BUYERS GUIDE

1.4 TSI (CNWA)		Gasolina	FWD	1390	118	160	06.08-12.13	*
1.4 TSI (CTHD)		Gasolina	FWD	1390	118	160	06.08-12.13	*
1.6 (BSE)		Gasolina	FWD	1595	75	102	05.05-12.13	*
1.6 (BSF)		Gasolina	FWD	1595	75	102	05.05-12.13	*
1.6 (CCSA)		Gasolina	FWD	1595	75	102	05.05-12.13	*
1.6 (CMXA)		Gasolina	FWD	1595	75	102	05.05-12.13	*
1.6 FSI (BLF)		Gasolina	FWD	1598	85	115	12.04-05.08	*
2.0 FSI (BLR)		Gasolina	FWD	1984	110	150	05.05-06.08	*
2.0 FSI (BLY)		Gasolina	FWD	1984	110	150	05.05-06.08	*
2.0 FSI (BVY)		Gasolina	FWD	1984	110	150	05.05-06.08	*
2.0 FSI (BVZ)		Gasolina	FWD	1984	110	150	05.05-06.08	*
1.6 BiFuel (CHGA)		Gasol./Gas (LPG)	FWD	1595	75	102	05.09-12.13	*
1.6 MultiFuel (CCSA)		Gasol./Etanol	FWD	1595	75	102	11.07-12.13	*
1.6 MultiFuel (CMXA)		Gasol./Etanol	FWD	1595	75	102	11.07-12.13	*
1.6 TDI (CAYB)		Diesel	FWD	1598	66	90	02.09-12.13	*
1.6 TDI (CAYC)		Diesel	FWD	1598	77	105	03.09-12.13	*
1.9 TDI (BRU)		Diesel	FWD	1896	66	90	05.05-12.08	*
1.9 TDI (BXF)		Diesel	FWD	1896	66	90	05.05-12.08	*
1.9 TDI (BXJ)		Diesel	FWD	1896	66	90	05.05-12.08	*
1.9 TDI (BKC)		Diesel	FWD	1896	77	105	01.05-01.09	*
1.9 TDI (BLS)		Diesel	FWD	1896	77	105	01.05-01.09	*
1.9 TDI (BXE)		Diesel	FWD	1896	77	105	01.05-01.09	*
2.0 TDI (CBDC)		Diesel	FWD	1968	81	110	01.09-12.13	*
2.0 TDI (CLCA)		Diesel	FWD	1968	81	110	01.09-12.13	*
2.0 TDI (BEE)		Diesel	FWD	1968	96	131	05.05-05.07	*
2.0 TDI (AZV)		Diesel	FWD	1968	100	136	05.05-12.13	*
2.0 TDI (CBDA)		Diesel	FWD	1968	100	136	05.05-12.13	*
2.0 TDI (CFHB)		Diesel	FWD	1968	100	136	05.05-12.13	*
2.0 TDI (BMM)		Diesel	FWD	1968	103	140	12.05-05.11	*
2.0 TDI 16V (BKD)		Diesel	FWD	1968	103	140	01.05-12.13	*
2.0 TDI 16V (CBDB)		Diesel	FWD	1968	103	140	01.05-12.13	*
2.0 TDI 16V (CFHC)		Diesel	FWD	1968	103	140	01.05-12.13	*
JETTA VI / VENTO (162, 163, AV3, AV2) 01.08-							Sedán (Compact car-C Segment)	
1.6 (CFNB)		Gasolina	FWD	1598	63	86	03.13-03.16	*
LUPO (6X1, 6E1) 09.98-07.05							[CAMBIADO]:Fastback (City car-A Segment)	
1.4 16V (AFK)		Gasolina	FWD	1390	74	100	08.99-07.05	*
1.4 16V (ANM)		Gasolina	FWD	1390	74	100	08.99-07.05	*
1.4 16V (AQQ)		Gasolina	FWD	1390	74	100	08.99-07.05	*
1.4 16V (AUB)		Gasolina	FWD	1390	74	100	08.99-07.05	*
1.4 FSI (ARR)		Gasolina	FWD	1390	77	105	02.01-07.05	*
1.6 GTI (AVY)		Gasolina	FWD	1598	92	125	09.00-07.05	*
PASSAT B5 (3B2) 08.96-12.01							Sedán (Large family car-D Segment)	
1.6 (ADP)		Gasolina	FWD	1595	74	101	10.96-11.00	*
1.6 (AHL)		Gasolina	FWD	1595	74	101	10.96-11.00	*
1.6 (ANA)		Gasolina	FWD	1595	74	101	10.96-11.00	*
1.6 (ARM)		Gasolina	FWD	1595	74	101	10.96-11.00	*
1.6 (ALZ)		Gasolina	FWD	1595	75	102	11.00-05.05	*
1.8 (AFY)		Gasolina	FWD	1781	85	115	01.97-11.00	*
1.8 (ADR)		Gasolina	FWD	1781	92	125	10.96-11.00	*

LISTA DE APLICACIONES - BUYERS GUIDE

1.8 (APT)	Gasolina	FWD	1781	92	125	10.96-11.00	*
1.8 (ARG)	Gasolina	FWD	1781	92	125	10.96-11.00	*
1.8 Syncro/4motion (ADR)	Gasolina	4WD	1781	92	125	12.96-08.00	*
1.8 Syncro/4motion (APT)	Gasolina	4WD	1781	92	125	12.96-08.00	*
1.8 Syncro/4motion (ARG)	Gasolina	4WD	1781	92	125	12.96-08.00	*
1.8 T (AEB)	Gasolina	FWD	1781	110	150	10.96-11.00	*
1.8 T (ANB)	Gasolina	FWD	1781	110	150	10.96-11.00	*
1.8 T (APU)	Gasolina	FWD	1781	110	150	10.96-11.00	*
1.8 T (ATW)	Gasolina	FWD	1781	110	150	10.96-11.00	*
1.8 T (AUG)	Gasolina	FWD	1781	110	150	10.96-11.00	*
1.8 T 20V (AWT)	Gasolina	FWD	1781	110	150	11.00-05.05	*
2.0 (AZM)	Gasolina	FWD	1984	85	115	11.00-05.05	*
2.0 4motion (AZM)	Gasolina	4WD	1984	85	115	11.00-05.05	*
2.0 (ALT)	Gasolina	FWD	1984	96	130	11.01-05.05	*
2.3 VR5 (AGZ)	Gasolina	FWD	2324	110	150	10.96-11.00	*
2.3 VR5 Syncro/4motion (AGZ)	Gasolina	4WD	2324	110	150	10.97-11.00	*
2.3 V5 (AZX)	Gasolina	FWD	2324	125	170	11.00-05.05	*
2.3 V5 4motion (AZX)	Gasolina	4WD	2324	125	170	11.00-05.05	*
2.8 V6 (AGE)	Gasolina	FWD	2771	132	180	05.97-09.99	*
2.8 (BBG)	Gasolina	FWD	2771	140	190	10.00-05.05	*
2.8 4motion (BBG)	Gasolina	4WD	2771	140	190	10.00-05.05	*
2.8 V6 (ATX)	Gasolina	FWD	2771	140	190	09.99-11.00	*
2.8 V6 (BBG)	Gasolina	FWD	2771	140	190	09.99-11.00	*
2.8 (AMX)	Gasolina	FWD	2771	142	193	05.02-05.03	*
2.8 (ATQ)	Gasolina	FWD	2771	142	193	05.02-05.03	*
2.8 4motion (AMX)	Gasolina	4WD	2771	142	193	11.00-05.05	*
2.8 4motion (ATQ)	Gasolina	4WD	2771	142	193	11.00-05.05	*
2.8 V6 (ACK)	Gasolina	FWD	2771	142	193	08.96-11.00	*
2.8 V6 (AHA)	Gasolina	FWD	2771	142	193	08.96-11.00	*
2.8 V6 (APR)	Gasolina	FWD	2771	142	193	08.96-11.00	*
2.8 V6 (AQD)	Gasolina	FWD	2771	142	193	08.96-11.00	*
2.8 V6 Syncro/4motion (ACK)	Gasolina	4WD	2771	142	193	10.96-11.00	*
2.8 V6 Syncro/4motion (AHA)	Gasolina	4WD	2771	142	193	10.96-11.00	*
2.8 V6 Syncro/4motion (ALG)	Gasolina	4WD	2771	142	193	10.96-11.00	*
2.8 V6 Syncro/4motion (APR)	Gasolina	4WD	2771	142	193	10.96-11.00	*
2.8 V6 Syncro/4motion (AQD)	Gasolina	4WD	2771	142	193	10.96-11.00	*
4.0 W8 4motion (BDN)	Gasolina	4WD	3999	202	275	09.01-09.04	*
4.0 W8 4motion (BDP)	Gasolina	4WD	3999	202	275	09.01-09.04	*
1.9 TDI (AHH)	Diesel	FWD	1896	66	90	10.96-11.00	*
1.9 TDI (AHU)	Diesel	FWD	1896	66	90	10.96-11.00	*
1.9 TDI (AVB)	Diesel	FWD	1896	74	101	02.00-11.00	*
1.9 TDI (AVB)	Diesel	FWD	1896	74	101	11.00-05.05	*
1.9 TDI (AFN)	Diesel	FWD	1896	81	110	10.96-11.00	*
1.9 TDI (AVG)	Diesel	FWD	1896	81	110	10.96-11.00	*
1.9 TDI Syncro/4motion (AFN)	Diesel	4WD	1896	81	110	06.97-08.00	*
1.9 TDI Syncro/4motion (AVG)	Diesel	4WD	1896	81	110	06.97-08.00	*
1.9 TDI (AJM)	Diesel	FWD	1896	85	115	08.98-11.00	*
1.9 TDI (ATJ)	Diesel	FWD	1896	85	115	08.98-11.00	*
1.9 TDI 4motion (ATJ)	Diesel	4WD	1896	85	115	08.99-11.00	*
1.9 TDI (AVF)	Diesel	FWD	1896	96	130	11.00-05.05	*
1.9 TDI (AWX)	Diesel	FWD	1896	96	130	11.00-05.05	*

LISTA DE APLICACIONES - BUYERS GUIDE

1.9 TDI 4motion (AVF)	Diesel	4WD	1896	96	130	11.00-05.05	*
2.0 TDI (BGW)	Diesel	FWD	1968	100	136	12.03-05.05	*
2.0 TDI (BHW)	Diesel	FWD	1968	100	136	12.03-05.05	*
2.5 TDI (AFB)	Diesel	FWD	2496	110	150	07.98-11.00	*
2.5 TDI (AKN)	Diesel	FWD	2496	110	150	07.98-11.00	*
2.5 TDI (AKN)	Diesel	FWD	2496	110	150	11.00-05.05	*
2.5 TDI 4motion (AFB)	Diesel	4WD	2496	110	150	11.00-05.05	*
2.5 TDI 4motion (AKN)	Diesel	4WD	2496	110	150	11.00-05.05	*
2.5 TDI Syncro/4motion (AFB)	Diesel	4WD	2496	110	150	12.98-11.00	*
2.5 TDI Syncro/4motion (AKN)	Diesel	4WD	2496	110	150	12.98-11.00	*
2.5 TDI (BDG)	Diesel	FWD	2496	120	163	05.03-05.05	*
2.5 TDI 4motion (BAU)	Diesel	4WD	2496	132	180	01.03-05.05	*
2.5 TDI 4motion (BDH)	Diesel	4WD	2496	132	180	01.03-05.05	*
PASSAT B5 Variant (3B5) 05.97-12.01				[CAMBIADO]-Break (Large family car-D Segment)			
1.6 (ADP)	Gasolina	FWD	1595	74	101	06.97-11.00	*
1.6 (AHL)	Gasolina	FWD	1595	74	101	06.97-11.00	*
1.6 (ANA)	Gasolina	FWD	1595	74	101	06.97-11.00	*
1.6 (ARM)	Gasolina	FWD	1595	74	101	06.97-11.00	*
1.6 (ALZ)	Gasolina	FWD	1595	75	102	11.00-05.05	*
1.8 (AFY)	Gasolina	FWD	1781	85	115	06.97-11.00	*
1.8 (ADR)	Gasolina	FWD	1781	92	125	06.97-11.00	*
1.8 (APT)	Gasolina	FWD	1781	92	125	06.97-11.00	*
1.8 (ARG)	Gasolina	FWD	1781	92	125	06.97-11.00	*
1.8 Syncro/4motion (ADR)	Gasolina	4WD	1781	92	125	06.97-11.00	*
1.8 Syncro/4motion (APT)	Gasolina	4WD	1781	92	125	06.97-11.00	*
1.8 Syncro/4motion (ARG)	Gasolina	4WD	1781	92	125	06.97-11.00	*
1.8 T (AEB)	Gasolina	FWD	1781	110	150	05.97-11.00	*
1.8 T (ANB)	Gasolina	FWD	1781	110	150	05.97-11.00	*
1.8 T (APU)	Gasolina	FWD	1781	110	150	05.97-11.00	*
1.8 T (ATW)	Gasolina	FWD	1781	110	150	05.97-11.00	*
1.8 T (AUG)	Gasolina	FWD	1781	110	150	05.97-11.00	*
1.8 T 20V (AWT)	Gasolina	FWD	1781	110	150	11.00-05.05	*
1.8 T (AWM)	Gasolina	FWD	1781	125	170	05.02-08.05	*
2.0 (AZM)	Gasolina	FWD	1984	85	115	11.00-05.05	*
2.0 4motion (AZM)	Gasolina	4WD	1984	85	115	11.00-05.05	*
2.0 (ALT)	Gasolina	FWD	1984	96	130	11.01-05.05	*
2.3 VR5 (AGZ)	Gasolina	FWD	2324	110	150	06.97-11.00	*
2.3 VR5 Syncro/4motion (AGZ)	Gasolina	4WD	2324	110	150	10.97-11.00	*
2.3 VR5 (AZX)	Gasolina	FWD	2324	125	170	11.00-05.05	*
2.3 VR5 4motion (AZX)	Gasolina	4WD	2324	125	170	11.00-05.05	*
2.8 V6 (AGE)	Gasolina	FWD	2771	132	180	09.97-09.99	*
2.8 (BBG)	Gasolina	FWD	2771	140	190	10.00-05.05	*
2.8 4motion (BBG)	Gasolina	4WD	2771	140	190	10.00-05.05	*
2.8 V6 (ATX)	Gasolina	FWD	2771	140	190	09.99-11.00	*
2.8 (ATQ)	Gasolina	FWD	2771	142	193	10.00-08.05	*
2.8 4motion (AMX)	Gasolina	4WD	2771	142	193	11.00-05.05	*
2.8 4motion (ATQ)	Gasolina	4WD	2771	142	193	11.00-05.05	*
2.8 V6 (ACK)	Gasolina	FWD	2771	142	193	06.97-11.00	*
2.8 V6 (AHA)	Gasolina	FWD	2771	142	193	06.97-11.00	*
2.8 V6 (APR)	Gasolina	FWD	2771	142	193	06.97-11.00	*
2.8 V6 (AQD)	Gasolina	FWD	2771	142	193	06.97-11.00	*

LISTA DE APLICACIONES - BUYERS GUIDE

2.8 V6 (ATQ)		Gasolina	FWD	2771	142	193	06.97-11.00	*
2.8 V6 Syncro/4motion (ACK)		Gasolina	4WD	2771	142	193	06.97-11.00	*
2.8 V6 Syncro/4motion (AHA)		Gasolina	4WD	2771	142	193	06.97-11.00	*
2.8 V6 Syncro/4motion (ALG)		Gasolina	4WD	2771	142	193	06.97-11.00	*
2.8 V6 Syncro/4motion (APR)		Gasolina	4WD	2771	142	193	06.97-11.00	*
2.8 V6 Syncro/4motion (AQD)		Gasolina	4WD	2771	142	193	06.97-11.00	*
2.8 V6 Syncro/4motion (ATQ)		Gasolina	4WD	2771	142	193	06.97-11.00	*
4.0 W8 4motion (BDN)		Gasolina	4WD	3999	202	275	09.01-09.04	*
4.0 W8 4motion (BDP)		Gasolina	4WD	3999	202	275	09.01-09.04	*
1.9 TDI (AHH)		Diesel	FWD	1896	66	90	06.97-11.00	*
1.9 TDI (AHU)		Diesel	FWD	1896	66	90	06.97-11.00	*
1.9 TDI (AVB)		Diesel	FWD	1896	74	101	02.00-11.00	*
1.9 TDI (AVB)		Diesel	FWD	1896	74	101	11.00-05.05	*
1.9 TDI (AFN)		Diesel	FWD	1896	81	110	06.97-11.00	*
1.9 TDI (AVG)		Diesel	FWD	1896	81	110	06.97-11.00	*
1.9 TDI Syncro/4motion (AFN)		Diesel	4WD	1896	81	110	06.97-08.00	*
1.9 TDI Syncro/4motion (AVG)		Diesel	4WD	1896	81	110	06.97-08.00	*
1.9 TDI (AJM)		Diesel	FWD	1896	85	115	08.98-11.00	*
1.9 TDI (ATJ)		Diesel	FWD	1896	85	115	08.98-11.00	*
1.9 TDI 4motion (AJM)		Diesel	4WD	1896	85	115	08.99-11.00	*
1.9 TDI 4motion (ATJ)		Diesel	4WD	1896	85	115	08.99-11.00	*
1.9 TDI (AVF)		Diesel	FWD	1896	96	130	11.00-05.05	*
1.9 TDI (AWX)		Diesel	FWD	1896	96	130	11.00-05.05	*
1.9 TDI 4motion (AVF)		Diesel	4WD	1896	96	130	11.00-05.05	*
2.0 TDI (BGW)		Diesel	FWD	1968	100	136	12.03-05.05	*
2.0 TDI (BHW)		Diesel	FWD	1968	100	136	12.03-05.05	*
2.5 TDI (AFB)		Diesel	FWD	2496	110	150	07.98-11.00	*
2.5 TDI (AKN)		Diesel	FWD	2496	110	150	07.98-11.00	*
2.5 TDI (AKN)		Diesel	FWD	2496	110	150	11.00-05.05	*
2.5 TDI 4motion (AKN)		Diesel	4WD	2496	110	150	11.00-05.05	*
2.5 TDI Syncro/4motion (AFB)		Diesel	4WD	2496	110	150	12.98-11.00	*
2.5 TDI Syncro/4motion (AKN)		Diesel	4WD	2496	110	150	12.98-11.00	*
2.5 TDI (BDG)		Diesel	FWD	2496	120	163	05.03-05.05	*
2.5 TDI 4motion (BAU)		Diesel	4WD	2496	132	180	01.03-05.05	*
2.5 TDI 4motion (BDH)		Diesel	4WD	2496	132	180	01.03-05.05	*
POLO III CLASSIC / DERBY / FLIGHT (6V2) 01.95-11.09					Sedán (Supermini car-B Segment)			
1.6 (BAH)		Gasolina	FWD	1598	74	101	11.02-07.06	*
1.6 (CCRA)		Gasolina	FWD	1598	74	101	11.02-07.06	*
POLO IV (9N_, 9A_) 10.01-10.14					[CAMBIADO]:Fastback (Supermini car-B Segment)			
1.4 16V (AUA)		Gasolina	FWD	1390	55	75	10.01-05.08	*
1.4 16V (BBY)		Gasolina	FWD	1390	55	75	10.01-05.08	*
1.4 16V (BKY)		Gasolina	FWD	1390	55	75	10.01-05.08	*
1.4 16V (BUD)		Gasolina	FWD	1390	59	80	05.06-11.09	*
1.4 (BLM)		Gasolina	FWD	1390	61	83	08.02-11.09	*
1.4 FSI (AXU)		Gasolina	FWD	1390	63	86	02.02-07.06	*
1.4 16V (AUB)		Gasolina	FWD	1390	74	101	10.01-05.08	*
1.4 16V (BBZ)		Gasolina	FWD	1390	74	101	10.01-05.08	*
1.6		Gasolina	FWD	1598	74	101	08.02-05.05	*
1.6 16V (BTS)		Gasolina	FWD	1598	77	105	05.06-11.09	*
1.8 GTI (BJX)		Gasolina	FWD	1781	110	150	09.05-11.09	*

LISTA DE APLICACIONES - BUYERS GUIDE

1.8 GTi Cup Edition (BBU)	Gasolina	FWD	1781	132	180	05.06-11.09	*
2.0	Gasolina	FWD	1984	85	115	10.04-11.09	*
1.4 BiFuel (BUD)	Gasol./Gas (LPG)	FWD	1390	60	82	05.06-11.09	*
1.4 TDI (BNM)	Diesel	FWD	1422	51	70	04.05-11.09	*
1.4 TDI (BWB)	Diesel	FWD	1422	51	70	04.05-11.09	*
1.4 TDI (AMF)	Diesel	FWD	1422	55	75	10.01-06.05	*
1.4 TDI (BAY)	Diesel	FWD	1422	55	75	10.01-06.05	*
1.4 TDI (BMS)	Diesel	FWD	1422	59	80	04.05-11.09	*
1.4 TDI (BNV)	Diesel	FWD	1422	59	80	04.05-11.09	*
1.9 TDI (ATD)	Diesel	FWD	1896	74	101	10.01-11.09	*
1.9 TDI (AXR)	Diesel	FWD	1896	74	101	10.01-11.09	*
1.9 TDI (BMT)	Diesel	FWD	1896	74	101	10.01-11.09	*
1.9 TDI (ASZ)	Diesel	FWD	1896	96	130	11.03-11.09	*
1.9 TDI (BLT)	Diesel	FWD	1896	96	130	11.03-11.09	*
POLO IV (9N2, 9N4) 09.02-12.10				Sedán (Supermini car-B Segment)			
1.9 TDI (ATD)	Diesel	FWD	1896	74	101	07.03-12.10	*
POLO IV / DERBY (9A4, 9A2, 9N2, 9A6) 09.02-				Sedán (Supermini car-B Segment)			
1.0	Gasolina	FWD	999	37	50	08.96-12.01	*
1.0 (ARA)	Gasolina	FWD	999	58	79	02.03-10.03	*
1.4 (BBY)	Gasolina	FWD	1390	55	75	11.02-04.12	*
1.4 (BKY)	Gasolina	FWD	1390	55	75	11.02-04.12	*
1.4 (BLM)	Gasolina	FWD	1390	61	83	12.03-08.10	*
1.4 (BBZ)	Gasolina	FWD	1390	74	101	11.03-06.05	*
1.6 (BAH)	Gasolina	FWD	1598	74	101	09.02-	*
1.6 (CCRA)	Gasolina	FWD	1598	74	101	09.02-	*
1.6 (CFZA)	Gasolina	FWD	1598	74	101	09.02-	*
2.0	Gasolina	FWD	1984	85	115	09.02-	*
1.6 TotalFlex (BPA)	Gasol./Etanol	FWD	1598	74	101	10.04-06.06	*
1.6 TotalFlex (CCRA)	Gasol./Etanol	FWD	1598	74	101	10.04-06.06	*
1.4 TDI	Diesel	RWD	1395	59	80	09.02-	*
1.4 TDI	Diesel	RWD	1395	59	80	09.02-	*
1.4 TDI (BAY)	Diesel	FWD	1422	55	75	07.03-06.05	*
1.9 SDI (ASY)	Diesel	FWD	1896	47	64	09.02-04.12	*
1.9 TDI (ATD)	Diesel	FWD	1896	74	101	09.02-	*
POLO V (6R1, 6C1) 03.09-				[CAMBIADO]:Fastback (Supermini car-B Segment)			
1.0 TSI (CHZB)	Gasolina	FWD	999	70	95	11.14-10.17	*
1.0 TSI (CHZC)	Gasolina	FWD	999	81	110	11.14-10.17	*
1.2 TSI (CBZC)	Gasolina	FWD	1197	66	90	05.11-05.14	*
1.2 TSI 16V (CJZC)	Gasolina	FWD	1197	66	90	02.14-10.17	*
1.2 TSI (CBZB)	Gasolina	FWD	1197	77	105	11.09-05.22	*
1.2 TSI (CJZD)	Gasolina	FWD	1197	81	110	01.14-10.17	*
1.4 (6R1) (CDDA)	Gasolina	FWD	1390	63	85	03.09-05.14	*
1.4 (6R1) (CGGB)	Gasolina	FWD	1390	63	85	03.09-05.14	*
1.4 (6R1) (CLPA)	Gasolina	FWD	1390	63	85	03.09-05.14	*
1.4 GTi (CAVE)	Gasolina	FWD	1390	132	180	05.10-05.14	*
1.4 GTi (CTHE)	Gasolina	FWD	1390	132	180	05.10-05.14	*
1.4 TSI (CPTA)	Gasolina	FWD	1395	103	140	10.12-05.14	*
1.4 TSI (CZEA)	Gasolina	FWD	1395	110	150	05.14-10.17	*
1.6 (CWVB)	Gasolina	FWD	1598	66	90	07.14-10.17	*

LISTA DE APLICACIONES - BUYERS GUIDE

1.6 (CWVA)		Gasolina	FWD	1598	81	110	07.14-10.17	*	
1.8 GTI (DAJA)		Gasolina	FWD	1798	141	192	11.14-10.17	*	
1.8 GTI (DAJB)		Gasolina	FWD	1798	141	192	11.14-10.17	*	
1.4 TDI (CUSB)		Diesel	FWD	1422	66	90	02.14-10.17	*	
1.4 TDI (CUTA)		Diesel	FWD	1422	77	105	05.14-10.17	*	
1.4 TDI (CYZA)		Diesel	FWD	1422	77	105	05.14-10.17	*	
1.6 TDI (CAYB)		Diesel	FWD	1598	66	90	06.09-05.14	*	
1.6 TDI (CAYC)		Diesel	FWD	1598	77	105	06.09-08.15	*	
1.6 TDI (CLNA)		Diesel	FWD	1598	77	105	06.09-08.15	*	
POLO V (6R1, 6C1) 03.09-							Furgón/hatchback (Supermini car-B Segment)		
1.0 TSI (CHZB)		Gasolina	FWD	999	70	95	11.14-10.17	*	
1.2 TSI (CJZC)		Gasolina	FWD	1197	66	90	02.14-10.17	*	
1.2 TSI (CBZC)		Gasolina	FWD	1197	66	90	05.11-05.14	*	
1.2 TSI (CBZB)		Gasolina	FWD	1197	77	105	11.09-05.14	*	
1.2 TSI (CJZD)		Gasolina	FWD	1197	81	110	01.14-10.17	*	
1.4 (CGGB)		Gasolina	FWD	1390	63	86	03.09-05.14	*	
1.4 GTi (CAVE)		Gasolina	FWD	1390	132	179	05.10-05.14	*	
1.4 TSI (CZEA)		Gasolina	FWD	1395	110	150	05.14-10.17	*	
1.4 TDI (CUSB)		Diesel	FWD	1422	66	90	02.14-10.17	*	
1.6 TDI (CAYB)		Diesel	FWD	1598	66	90	06.09-05.14	*	
1.6 TDI (CAYC)		Diesel	FWD	1598	77	105	06.09-05.14	*	
SCIROCCO III (137, 138) 05.08-							Coupé (Sport compact car-C Segment)		
1.4 TSI (CAXA)		Gasolina	FWD	1390	90	122	08.08-11.17	*	
1.4 TSI (CMSB)		Gasolina	FWD	1390	90	122	08.08-11.17	*	
1.4 TSI (CAVD)		Gasolina	FWD	1390	118	160	05.08-11.17	*	
1.4 TSI (CNWA)		Gasolina	FWD	1390	118	160	05.08-11.17	*	
1.4 TSI (CTHD)		Gasolina	FWD	1390	118	160	05.08-11.17	*	
1.4 TSI (CTKA)		Gasolina	FWD	1390	118	160	05.08-11.17	*	
1.4 TSI (CXSB)		Gasolina	FWD	1395	92	125	11.13-11.17	*	
1.4 TSI (CZCA)		Gasolina	FWD	1395	92	125	11.13-11.17	*	
2.0 TSI (CULA)		Gasolina	FWD	1984	132	180	11.13-11.17	*	
2.0 TFSI (CAWB)		Gasolina	FWD	1984	147	200	05.08-11.09	*	
2.0 TSI (CCZB)		Gasolina	FWD	1984	155	210	11.09-11.17	*	
2.0 TDI (CFHB)		Diesel	FWD	1968	100	136	11.10-11.17	*	
2.0 TDI (CBDB)		Diesel	FWD	1968	103	140	08.08-11.17	*	
2.0 TDI (CFHC)		Diesel	FWD	1968	103	140	08.08-11.17	*	
2.0 TDI (CUUB)		Diesel	FWD	1968	110	150	11.13-11.17	*	
2.0 TDI (CBBB)		Diesel	FWD	1968	125	170	05.09-11.17	*	
2.0 TDI (CFGB)		Diesel	FWD	1968	125	170	05.09-11.17	*	
SCIROCCO III (137) 06.08-05.14							Furgón/hatchback (Sport compact car-C Segment)		
1.4 TSI (CAXA)		Gasolina	FWD	1390	90	122	08.08-05.14	*	
1.4 TSI (CAVD)		Gasolina	FWD	1390	118	160	06.08-05.14	*	
2.0 TFSI (CCZB)		Gasolina	FWD	1984	155	211	11.09-05.14	*	
2.0 TDI (CBDB)		Diesel	FWD	1968	103	140	08.08-05.14	*	
2.0 TDI (CFHC)		Diesel	FWD	1968	103	140	08.08-05.14	*	
2.0 TDI (CBBB)		Diesel	FWD	1968	125	170	05.09-05.14	*	
2.0 TDI (CFGB)		Diesel	FWD	1968	125	170	05.09-05.14	*	