

# LISTA DE APLICACIONES - BUYERS GUIDE

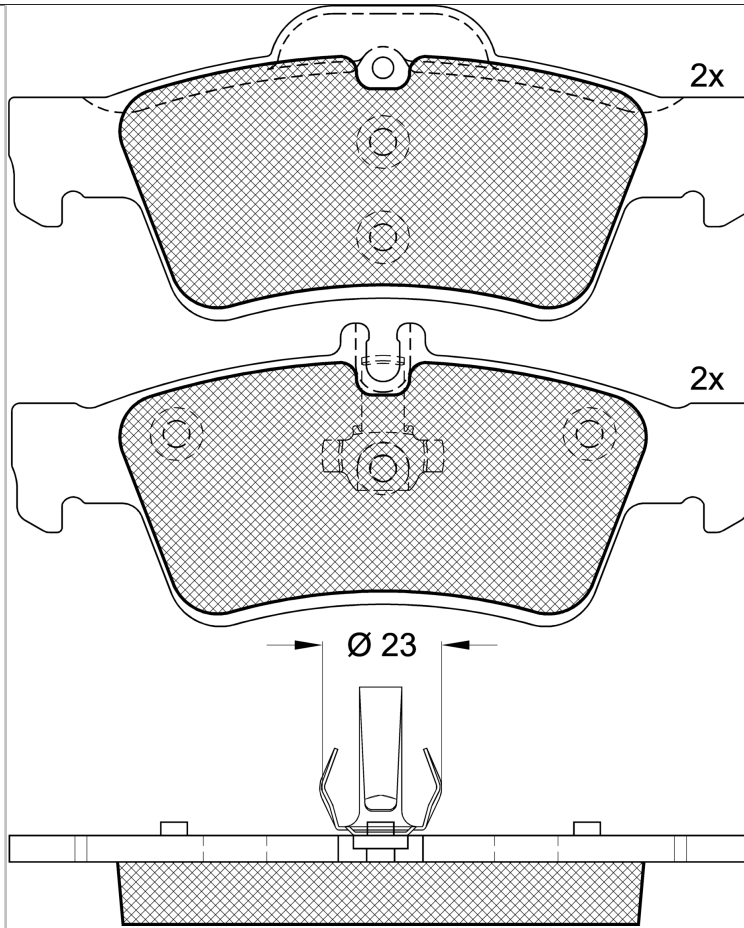
## RB1576-396



Qty: 944

Weight: 1.250

O.E.M.	MAKE
000 423 02 30	MERCEDES-BENZ
0004208904	MERCEDES-BENZ
0004209604	MERCEDES-BENZ
0004209804	MERCEDES-BENZ
003 420 51 20	MERCEDES-BENZ
003 420 51 20 67	MERCEDES-BENZ
004 420 44 20	MERCEDES-BENZ
005 420 79 20	MERCEDES-BENZ
007 420 67 20	MERCEDES-BENZ



## RB1576-396



**90R-01110/802**

Ate - Teves

140.3x57.34x16.8  
141.4x59.53x16.8

WVA	FMSI
22168	D986-7888
23334	
23335	
24862	
24863	

Sin Filas



Trac.	CC	Kw	CV
-------	----	----	----



Front / Rear

### MERCEDES-BENZ

						Coupé (Compact executive car-D Segment)			
<b>CL-Class II (C215) 03.99-12.06</b>									
CL 500 (215.375) (M 113.960)		Gasolina	RWD	4966	225	306	03.99-03.06	*	
<b>CLS-Class (C219) 10.04-12.12</b>						<b>Coupé (Executive car-E Segment)</b>			
CLS 280 (219.354) (M 272.943)		Gasolina	RWD	2996	170	231	07.08-12.10	*	
CLS 300 (219.354) (M 272.943)		Gasolina	RWD	2996	170	231	04.09-12.10	*	
CLS 350 (219.356) (M 272.964)		Gasolina	RWD	3498	200	272	10.04-12.10	*	
CLS 350 (219.357) (M 272.985)		Gasolina	RWD	3498	215	292	04.06-12.10	*	
CLS 350 CGI (219.357)		Gasolina	RWD	3498	215	292	04.09-12.10	*	
CLS 500 (219.375) (M 113.967)		Gasolina	RWD	4966	225	306	10.04-12.10	*	
CLS 500 (219.372) (M 273.960)		Gasolina	RWD	5461	285	388	04.06-12.10	*	
CLS 550		Gasolina	FWD	5461	285	388	04.06-02.11	*	
CLS 320 CDI (219.322) (OM 642.920)		Diesel	RWD	2987	155	211	01.05-12.10	*	
CLS 320 CDI (219.322) (OM 642.920)		Diesel	RWD	2987	165	224	01.05-12.10	*	
CLS 350 CDI (219.322) (OM 642.920)		Diesel	RWD	2987	165	224	04.09-12.10	*	
CLS 350 CDI (219.322) (OM 642.920)		Diesel	RWD	2987	200	272	04.09-12.10	*	
<b>CLS-Class II (C218) 01.11-12.17</b>						<b>Coupé (Executive car-E Segment)</b>			
CLS 400 (218.365) (M 276.820)		Gasolina	RWD	2996	245	333	05.14-12.17	*	
CLS 400 4-matic (218.368) (M 276.820)		Gasolina	4WD	2996	245	333	05.14-12.17	*	
CLS 350 (218.359) (M 276.952)		Gasolina	RWD	3498	225	306	01.11-08.14	*	
CLS 400 (218.361) (M 276.850)		Gasolina	RWD	3498	245	333	07.14-12.17	*	
CLS 400 4-matic (218.368) (M 276.850)		Gasolina	4WD	3498	245	333	07.14-12.17	*	
CLS 500 (218.373) (M 278.922)		Gasolina	RWD	4663	300	408	02.11-12.17	*	
CLS 500 4-matic (218.391) (M 278.922)		Gasolina	4WD	4663	300	408	09.11-12.17	*	

# LISTA DE APLICACIONES - BUYERS GUIDE

CLS 63 AMG (218.374) (M 157.980)	Gasolina	RWD	5461	386	525	01.11-12.17	*
CLS 63 AMG (218.374) (M 157.981)	Gasolina	RWD	5461	386	525	01.11-12.17	*
CLS 220 BlueTEC / d (218.901) (OM 651.924)	Diesel	RWD	2143	120	163	05.14-12.17	*
CLS 220 BlueTEC / d (218.901) (OM 651.924)	Diesel	RWD	2143	125	170	05.14-12.17	*
CLS 220 BlueTEC / d (218.901) (OM 651.924)	Diesel	RWD	2143	130	177	05.14-12.17	*
CLS 250 BlueTEC / d 4-matic (218.997) (OM 651.924)	Diesel	4WD	2143	150	204	05.14-12.17	*
CLS 250 CDI / BlueTEC / d (218.903, 218.904) (OM 651.924)	Diesel	RWD	2143	150	204	04.11-12.17	*
CLS 350 BlueTEC / d (218.926) (OM 642.852)	Diesel	RWD	2987	185	252	02.13-12.17	*
CLS 350 BlueTEC / d (218.926) (OM 642.853)	Diesel	RWD	2987	185	252	02.13-12.17	*
CLS 350 BlueTEC / d 4-matic (218.994) (OM 642.854)	Diesel	4WD	2987	185	252	02.13-12.17	*
CLS 350 BlueTEC / d 4-matic (218.994) (OM 642.858)	Diesel	4WD	2987	185	252	02.13-12.17	*
CLS 350 BlueTEC / d (218.926) (OM 642.852)	Diesel	RWD	2987	190	258	06.14-12.17	*
CLS 350 BlueTEC / d (218.926) (OM 642.853)	Diesel	RWD	2987	190	258	06.14-12.17	*
CLS 350 d 4-matic (218.394) (OM 642.854)	Diesel	4WD	2987	190	258	04.15-12.17	*
CLS 350 d 4-matic (218.394) (OM 642.858)	Diesel	4WD	2987	190	258	04.15-12.17	*
CLS 350 CDI / d (218.323) (OM 642.852)	Diesel	RWD	2987	195	265	01.11-08.14	*
CLS 350 CDI / d (218.323) (OM 642.853)	Diesel	RWD	2987	195	265	01.11-08.14	*
CLS 350 CDI / d 4-matic (218.993) (OM 642.854)	Diesel	4WD	2987	195	265	09.11-08.14	*
CLS 350 CDI / d 4-matic (218.993) (OM 642.858)	Diesel	4WD	2987	195	265	09.11-08.14	*
<b>CLS-Class II Shooting Brake (X218) 10.12-</b>					<b>[CAMBIADO]:Break (Executive car-E Segment)</b>		
CLS 400 (218.965) (M 276.820)	Gasolina	RWD	2996	245	333	05.14-12.17	*
CLS 400 4-matic (218.968) (M 276.820)	Gasolina	4WD	2996	245	333	05.14-12.17	*
CLS 350 (218.959) (M 276.952)	Gasolina	RWD	3498	225	306	10.12-08.14	*
CLS 400 (218.961) (M 276.850)	Gasolina	RWD	3498	245	333	07.14-12.17	*
CLS 400 4-matic (218.968) (M 276.850)	Gasolina	4WD	3498	245	333	07.14-12.17	*
CLS 500 (218.973) (M 278.922)	Gasolina	RWD	4663	300	408	10.12-12.17	*
CLS 500 4-matic (218.991) (M 278.922)	Gasolina	4WD	4663	300	408	10.12-12.17	*
CLS 63 AMG (218.974) (M 157.981)	Gasolina	RWD	5461	386	525	10.12-12.17	*
CLS 63 AMG (218.974) (M 157.981)	Gasolina	RWD	5461	410	558	05.13-12.17	*
CLS 63 AMG 4-matic (218.992) (M 157.981)	Gasolina	4WD	5461	410	558	05.13-12.17	*
CLS 63 AMG 4-matic (218.992) (M 157.981)	Gasolina	4WD	5461	430	585	02.13-12.17	*
CLS 220 BlueTEC / d (218.901) (OM 651.924)	Diesel	RWD	2143	120	163	05.14-12.17	*
CLS 220 BlueTEC / d (218.901) (OM 651.924)	Diesel	RWD	2143	125	170	05.14-12.17	*
CLS 220 BlueTEC / d (218.901) (OM 651.924)	Diesel	RWD	2143	130	177	05.14-12.17	*
CLS 250 BlueTEC / d 4-matic (218.997) (OM 651.924)	Diesel	4WD	2143	150	204	05.14-12.17	*
CLS 250 CDI / BlueTEC / d (218.903, 218.904) (OM 651.924)	Diesel	RWD	2143	150	204	10.12-12.17	*
CLS 350 BlueTEC / d (218.926) (OM 642.852)	Diesel	RWD	2987	185	252	05.14-12.17	*
CLS 350 BlueTEC / d (218.926) (OM 642.853)	Diesel	RWD	2987	185	252	05.14-12.17	*
CLS 350 BlueTEC / d 4-matic (218.994) (OM 642.854)	Diesel	4WD	2987	185	252	05.14-12.17	*
CLS 350 BlueTEC / d 4-matic (218.994) (OM 642.858)	Diesel	4WD	2987	185	252	05.14-12.17	*
CLS 350 BlueTEC / d (218.926) (OM 642.852)	Diesel	RWD	2987	190	258	05.14-12.17	*
CLS 350 BlueTEC / d (218.926) (OM 642.853)	Diesel	RWD	2987	190	258	05.14-12.17	*
CLS 350 d 4-matic (218.994) (OM 642.854)	Diesel	4WD	2987	190	258	04.15-12.17	*
CLS 350 d 4-matic (218.994) (OM 642.858)	Diesel	4WD	2987	190	258	04.15-12.17	*
CLS 350 CDI / d (218.923) (OM 642.852)	Diesel	RWD	2987	195	265	10.12-08.14	*
CLS 350 CDI / d (218.923) (OM 642.853)	Diesel	RWD	2987	195	265	10.12-08.14	*
CLS 350 CDI / d 4-matic (218.993) (OM 642.853)	Diesel	4WD	2987	195	265	10.12-08.14	*

# LISTA DE APLICACIONES - BUYERS GUIDE

CLS 350 CDI / d 4-matic (218.993) (OM 642.854)	Diesel	4WD	2987	195	265	10.12-08.14	*
<b>E-Class III (VF211) 03.03-07.09</b>				<b>Caja/Chasis (LCVs-N1 Segment)</b>			
E 220 CDI (211.606) (OM 646.961)	Diesel	RWD	2148	110	150	10.03-07.06	*
E 220 CDI (211.608) (OM 646.821)	Diesel	RWD	2148	125	170	04.06-07.09	*
E 270 CDI (211.616) (OM 647.961)	Diesel	RWD	2685	120	163	03.03-07.09	*
E 270 CDI (211.616) (OM 647.961)	Diesel	RWD	2685	130	177	10.03-07.05	*
E 280 CDI (211.620) (OM 642.920)	Diesel	RWD	2987	140	190	08.05-07.09	*
<b>E-Class III (W211) 03.02-03.09</b>				<b>Sedán (Executive car-E Segment)</b>			
E 200 Kompressor (211.042) (M 271.941)	Gasolina	RWD	1796	120	163	11.02-12.08	*
E 200 CGI	Gasolina	FWD	1796	125	170	11.02-12.08	*
E 200 Kompressor (211.042) (M 271.956)	Gasolina	RWD	1796	135	184	04.06-12.08	*
E 230 (211.052) (M 272.922)	Gasolina	RWD	2496	150	204	09.07-12.08	*
E 240 (211.061) (M 112.913)	Gasolina	RWD	2597	130	177	03.02-12.08	*
E 240 (211.061) (M 112.917)	Gasolina	RWD	2597	130	177	03.02-12.08	*
E 240 4-matic (211.080) (M 112.917)	Gasolina	4WD	2597	130	177	03.03-12.08	*
E 280 (211.054) (M 272.943)	Gasolina	RWD	2996	170	231	03.05-12.08	*
E 280 4-matic (211.092) (M 272.943)	Gasolina	4WD	2996	170	231	01.06-12.08	*
E 280 4-matic (211.092) (M 272.944)	Gasolina	4WD	2996	170	231	01.06-12.08	*
E 320 (211.065) (M 112.949)	Gasolina	RWD	3199	165	224	03.02-12.08	*
E 320 4-matic (211.082) (M 112.954)	Gasolina	4WD	3199	165	224	03.03-12.08	*
E 350 (211.056) (M 272.964)	Gasolina	RWD	3498	200	272	03.05-12.08	*
E 350 4-matic (211.087) (M 272.972)	Gasolina	4WD	3498	200	272	03.05-12.08	*
3.5	Gasolina	FWD	3498	205	279	08.04-08.06	*
E 350 CGI (211.057) (M 272.985)	Gasolina	RWD	3498	215	292	09.07-12.08	*
E 500 (211.070) (M 113.967)	Gasolina	RWD	4966	225	306	03.02-12.08	*
E 500 4-matic (211.083) (M 113.969)	Gasolina	4WD	4966	225	306	10.03-12.08	*
E 500 (211.072) (M 273.960)	Gasolina	RWD	5461	285	388	04.06-12.08	*
E 500 4-matic (211.090) (M 273.962)	Gasolina	4WD	5461	285	388	04.06-12.08	*
E 200 NGT (211.042) (M 271.941)	Gasol./Gas (CNG)	RWD	1796	120	163	03.04-12.08	*
E 250 CDI	Diesel	RWD	2143	150	204	08.08-12.08	*
E 200 CDI (211.004) (OM 646.951)	Diesel	RWD	2148	75	102	07.02-12.08	*
E 200 CDI (211.004) (OM 646.951)	Diesel	RWD	2148	90	122	07.02-12.08	*
E 200 CDI (211.007) (OM 646.820)	Diesel	RWD	2148	100	136	04.06-12.08	*
E 220 CDI (211.006) (OM 646.961)	Diesel	RWD	2148	100	136	03.02-12.08	*
E 220 CDI (211.006) (OM 646.961)	Diesel	RWD	2148	110	150	03.02-12.08	*
E 220 CDI (211.008) (OM 646.821)	Diesel	RWD	2148	125	170	04.06-12.08	*
E 220 CDI (211.008) (OM 646.821)	Diesel	RWD	2149	120	163	03.03-12.08	*
E 270 CDI (211.016) (OM 647.961)	Diesel	RWD	2685	120	163	03.02-12.08	*
E 270 CDI (211.016) (OM 647.961)	Diesel	RWD	2685	130	177	03.02-12.08	*
E 280 CDI (211.020) (OM 642.920)	Diesel	RWD	2987	140	190	03.05-12.08	*
E 280 CDI 4-matic (211.084) (OM 642.921)	Diesel	4WD	2987	140	190	03.05-12.08	*
E 300 BlueTEC (211.024) (OM 642.920)	Diesel	RWD	2987	155	211	09.07-12.08	*
E320 CDI (211.022) (OM 642.920)	Diesel	RWD	2987	165	224	03.05-12.08	*
E 320 CDI 4-matic (211.089) (OM 642.910)	Diesel	4WD	2987	165	224	03.05-12.08	*
E 320 CDI 4-matic (211.089) (OM 642.921)	Diesel	4WD	2987	165	224	03.05-12.08	*
E 280 CDI (211.023) (OM 648.961)	Diesel	RWD	3222	130	177	05.04-12.08	*
E 320 CDI (211.026) (OM 648.961)	Diesel	RWD	3222	150	204	11.02-12.08	*
E 400 CDI (211.028) (OM 628.961)	Diesel	RWD	3996	191	260	02.03-12.08	*
E 420 CDI (211.029) (OM 629.910)	Diesel	RWD	3996	231	314	01.06-12.08	*

# LISTA DE APLICACIONES - BUYERS GUIDE

<b>E-Class III T-Model (S211) 02.03-07.09</b>					<b>[CAMBIADO]:Break (Executive car-E Segment)</b>			
E 200 T Kompressor (211.242) (M 271.941)	Gasolina	RWD	1796	120	163	03.03-07.09	*	
E 200 Kompressor (211.241) (M 271.956)	Gasolina	RWD	1796	135	184	04.06-07.09	*	
E 230 T (211.252) (M 272.922)	Gasolina	RWD	2496	150	204	05.07-07.09	*	
E 240 T (211.261) (M 112.913)	Gasolina	RWD	2597	130	177	03.03-07.09	*	
E 240 T 4-matic (211.280) (M 112.917)	Gasolina	4WD	2597	130	177	07.03-07.09	*	
E 280 T (211.254) (M 272.943)	Gasolina	RWD	2996	170	231	03.05-07.09	*	
E 280 T 4-matic (211.292) (M 272.943)	Gasolina	4WD	2996	170	231	03.05-07.09	*	
E 280 T 4-matic (211.292) (M 272.944)	Gasolina	4WD	2996	170	231	03.05-07.09	*	
E 320 T (211.265) (M 112.949)	Gasolina	RWD	3199	165	224	03.03-07.09	*	
E 320 T 4-matic (211.282) (M 112.954)	Gasolina	4WD	3199	165	224	07.03-07.09	*	
E 350 T (211.256) (M 272.964)	Gasolina	RWD	3498	200	272	03.05-07.09	*	
E 350 T 4-matic (211.287) (M 272.972)	Gasolina	4WD	3498	200	272	03.05-07.09	*	
3.5	Gasolina	FWD	3498	205	279	08.04-08.06	*	
350 CGI (211.257) (M 272.985)	Gasolina	RWD	3498	215	292	05.06-07.09	*	
E 500 T (211.270) (M 113.967)	Gasolina	RWD	4966	225	306	10.03-07.09	*	
E 500 T 4-matic (211.283) (M 113.969)	Gasolina	4WD	4966	225	306	10.03-07.09	*	
E 500 T (211.272) (M 273.960)	Gasolina	RWD	5461	285	388	04.06-07.09	*	
E 500 T 4-matic (211.290) (M 273.962)	Gasolina	4WD	5461	285	388	04.06-07.09	*	
E 200 CDI (211.207) (OM 646.821)	Diesel	RWD	2148	100	136	04.06-07.09	*	
E 220 CDI (211.206) (OM 646.961)	Diesel	RWD	2148	100	136	03.03-07.09	*	
E 220 T CDI (211.206) (OM 646.961)	Diesel	RWD	2148	110	150	03.03-07.09	*	
E 220 T CDI (211.208) (OM 646.821)	Diesel	RWD	2148	120	163	03.03-07.09	*	
E 220 T CDI (211.208) (OM 646.821)	Diesel	RWD	2148	125	170	04.06-07.09	*	
E 270 T CDI (211.216) (OM 647.961)	Diesel	RWD	2685	120	163	03.03-07.09	*	
E 270 T CDI (211.216) (OM 647.961)	Diesel	RWD	2685	130	177	03.03-07.09	*	
E 280 T CDI (211.220) (OM 642.920)	Diesel	RWD	2987	140	190	03.05-07.09	*	
E 280 T CDI 4-matic (211.284) (OM 642.921)	Diesel	4WD	2987	140	190	03.05-07.09	*	
E 320 T CDI (211.222) (OM 642.920)	Diesel	RWD	2987	155	211	11.07-07.09	*	
E 320 T CDI (211.222) (OM 642.920)	Diesel	RWD	2987	165	224	03.05-07.09	*	
E 320 T CDI 4-matic (211.289) (OM 642.921)	Diesel	4WD	2987	165	224	03.05-07.09	*	
E 280 T CDI (211.223) (OM 648.961)	Diesel	RWD	3222	130	177	05.04-07.09	*	
E 320 T CDI (211.226) (OM 648.961)	Diesel	RWD	3222	150	204	03.03-07.09	*	
<b>E-Class IV (A207) 01.10-</b>					<b>Cabrió (Executive car-E Segment)</b>			
E 200 CGI (207.448) (M 271.820)	Gasolina	RWD	1796	135	184	01.10-12.16	*	
E 200 CGI (207.448) (M 271.860)	Gasolina	RWD	1796	135	184	01.10-12.16	*	
E 350 (207.459) (M 276.957)	Gasolina	RWD	3498	225	306	04.11-12.14	*	
E 220 CDI / BlueTEC / d (207.402, 207.401) (OM 651.911)	Diesel	RWD	2143	125	170	01.10-12.16	*	
<b>E-Class IV (C207) 01.09-</b>					<b>Coupé (Executive car-E Segment)</b>			
E 200 CGI (207.348) (M 271.820)	Gasolina	RWD	1796	135	184	01.10-12.16	*	
E 200 CGI (207.348) (M 271.860)	Gasolina	RWD	1796	135	184	01.10-12.16	*	
E 500 (207.373) (M 278.922)	Gasolina	RWD	4663	300	408	09.11-12.16	*	
E 220 CDI / d (207.302, 207.301) (OM 651.911)	Diesel	RWD	2143	125	170	01.10-12.16	*	
E 350 CDI (207.323) (OM 642.838)	Diesel	RWD	2987	195	265	06.11-06.13	*	
<b>E-Class IV (W212) 01.09-</b>					<b>Sedán (Executive car-E Segment)</b>			
E 180 (212.040) (M 274.910)	Gasolina	RWD	1595	115	156	08.13-12.15	*	
E 200 CGI (212.048, 212.148) (M 271.820)	Gasolina	RWD	1796	135	184	08.09-12.15	*	
E 200 CGI (212.048, 212.148) (M 271.860)	Gasolina	RWD	1796	135	184	08.09-12.15	*	
E 250 CGI (212.047, 212.147) (M 271.860)	Gasolina	RWD	1796	150	204	01.09-12.15	*	

# LISTA DE APLICACIONES - BUYERS GUIDE

E 200 (212.034) (M 274.920)		Gasolina	RWD	1991	135	184	01.13-12.16	*
E 250 (212.036) (M 274.920)		Gasolina	RWD	1991	155	211	01.13-12.16	*
E 250 (212.052)		Gasolina	RWD	2496	150	204	05.09-12.11	*
E 300 (212.054) (M 272.952)		Gasolina	RWD	2996	170	231	01.09-12.13	*
E 400 (212.065) (M 276.820)		Gasolina	RWD	2996	245	333	01.13-12.16	*
E 400 4-matic (212.067) (M 276.820)		Gasolina	4WD	2996	245	333	01.13-12.16	*
E 300 (212.055) (M 276.952)		Gasolina	RWD	3498	185	252	07.11-12.15	*
E 300 4-matic (212.080) (M 276.952)		Gasolina	4WD	3498	185	252	07.11-12.15	*
E 350 (212.056) (M 272.980)		Gasolina	RWD	3498	200	272	01.09-12.13	*
E 350 4-matic (212.087) (M 272.977)		Gasolina	4WD	3498	200	272	01.09-08.11	*
E 350 CGI (212.057) (M 272.982)		Gasolina	RWD	3498	215	292	01.09-08.11	*
E 350 CGI (212.057) (M 272.983)		Gasolina	RWD	3498	215	292	01.09-08.11	*
E 350 (212.059) (M 276.952)		Gasolina	RWD	3498	225	306	09.11-12.15	*
E 350 4-matic (212.088) (M 276.952)		Gasolina	4WD	3498	225	306	09.11-12.15	*
E 400 (212.061) (M 276.850)		Gasolina	RWD	3498	245	333	07.14-12.15	*
E 400 4-matic (212.099) (M 276.850)		Gasolina	4WD	3498	245	333	07.14-12.15	*
E 500 (212.073) (M 278.922)		Gasolina	RWD	4663	300	408	09.11-12.15	*
E 500 4-matic (212.091) (M 278.922)		Gasolina	4WD	4663	300	408	09.11-12.15	*
E 500 (212.072) (M 273.971)		Gasolina	RWD	5461	285	388	01.09-12.11	*
E 500 4-matic (212.090) (M 273.970)		Gasolina	4WD	5461	285	388	01.09-12.11	*
5.5 E 550 V8 17"		Gasolina	FWD	5495	285	388	01.09-	*
E 200 NGT (212.041) (M 271.958)		Gasol./Gas (CNG)	RWD	1796	120	163	03.11-12.15	*
E 200 NGT (212.035) (M 274.920)		Gasol./Gas (CNG)	RWD	1991	115	156	07.13-12.15	*
E 300 Hybrid / BlueTEC Hybrid (212.298) (OM 651.924)		Diesel/eléc.	RWD	2143	150	204	12.11-12.16	*
E 200 CDI / BlueTEC (212.205, 212.206) (OM 651.925)		Diesel	RWD	2143	100	136	01.09-12.15	*
E 220 CDI (212.002, 212.001) (OM 651.924)		Diesel	RWD	2143	120	163	01.09-12.15	*
E 220 BlueTEC 4-matic (212.211) (OM 651.924)		Diesel	4WD	2143	125	170	01.15-12.15	*
E 220 CDI / BlueTEC (212.202, 212.201) (OM 651.924)		Diesel	RWD	2143	125	170	01.09-12.16	*
E 220 BlueTEC (212.001) (OM 651.924)		Diesel	RWD	2143	130	177	05.14-12.15	*
E 250 CDI / BlueTEC(212.004) (OM 651.924)		Diesel	RWD	2143	150	204	01.09-12.16	*
E 250 CDI / BlueTEC 4-matic (212.282, 212.297) (OM 651.924)		Diesel	4WD	2143	150	204	01.11-12.15	*
E 300 CDI (212.020) (OM 642.850)		Diesel	RWD	2987	150	204	12.09-12.10	*
E 350 BlueTEC (212.024) (OM 642.850)		Diesel	RWD	2987	155	211	01.09-12.15	*
E 300 CDI / BlueTEC (212.227, 212.221) (OM 642.850)		Diesel	RWD	2987	170	231	03.11-12.15	*
E 300 CDI / BlueTEC (212.227, 212.221) (OM 642.852)		Diesel	RWD	2987	170	231	03.11-12.15	*
E 350 CDI (212.025) (OM 642.850)		Diesel	RWD	2987	170	231	01.09-12.15	*
E 350 CDI 4-matic (212.093) (OM 642.856)		Diesel	4WD	2987	170	231	09.09-08.11	*
E 350 BlueTEC (212.026) (OM 642.852)		Diesel	RWD	2987	185	252	01.13-12.15	*
E 350 BlueTEC 4-matic (212.294) (OM 642.858)		Diesel	4WD	2987	185	252	01.13-12.15	*
E 350 BlueTEC (212.026) (OM 642.852)		Diesel	RWD	2987	190	258	05.14-12.15	*
E 350 BlueTEC 4-matic (212.294) (OM 642.858)		Diesel	4WD	2987	190	258	05.14-12.15	*
E 350 CDI (212.023) (OM 642.852)		Diesel	RWD	2987	195	265	03.11-12.15	*
E 350 CDI 4-matic (212.093) (OM 642.858)		Diesel	4WD	2987	195	265	03.11-12.15	*
<b>E-Class IV T-Model (S212) 08.09-</b>					<b>[CAMBIADO]:Break (Executive car-E Segment)</b>			
E 200 CGI (212.248) (M 271.860)		Gasolina	RWD	1796	135	184	11.09-12.16	*
E 250 CGI (212.247) (M 271.860)		Gasolina	RWD	1796	150	204	11.09-12.13	*

# LISTA DE APLICACIONES - BUYERS GUIDE

E 200 (212.234) (M 274.920)	Gasolina	RWD	1991	135	184	11.12-12.16	*
E 250 (212.236) (M 274.920)	Gasolina	RWD	1991	155	211	11.12-12.16	*
E 300 (212.254) (M 272.952)	Gasolina	RWD	2996	170	231	11.09-12.11	*
E 400 (212.265) (M 276.820)	Gasolina	RWD	2996	245	333	01.13-12.16	*
E 400 4-matic (212.267) (M 276.820)	Gasolina	4WD	2996	245	333	01.13-12.16	*
E 300 (212.255) (M 276.952)	Gasolina	RWD	3498	185	252	07.11-12.16	*
E 300 4-matic (212.280) (M 276.952)	Gasolina	4WD	3498	185	252	07.11-12.16	*
E 350 (212.256) (M 272.980)	Gasolina	RWD	3498	200	272	08.09-12.11	*
E 350 4-matic (212.287) (M 272.977)	Gasolina	4WD	3498	200	272	11.09-12.11	*
E 350 CGI (212.257) (M 272.983)	Gasolina	RWD	3498	215	292	11.09-12.11	*
E 350 (212.259) (M 276.952)	Gasolina	RWD	3498	225	306	09.11-12.14	*
E 350 4-matic (212.288) (M 276.952)	Gasolina	4WD	3498	225	306	09.11-12.16	*
E 400 (212.261) (M 276.850)	Gasolina	RWD	3498	245	333	07.14-12.16	*
E 400 4-matic (212.299) (M 276.850)	Gasolina	4WD	3498	245	333	07.14-12.16	*
E 500 (212.273) (M 278.922)	Gasolina	RWD	4663	300	408	09.11-12.16	*
E 500 4-matic (212.291) (M 278.922)	Gasolina	4WD	4663	300	408	09.11-12.16	*
E 500 (212.272) (M 273.971)	Gasolina	RWD	5461	285	388	11.09-12.11	*
E 300 Hybrid / BlueTEC Hybrid (212.298) (OM 651.924)	Diesel/el éc.	RWD	2143	150	204	12.11-12.16	*
E 200 CDI / BlueTEC (212.205, 212.206) (OM 651.925)	Diesel	RWD	2143	100	136	11.09-12.16	*
E 220 CDI (212.202) (OM 651.924)	Diesel	RWD	2143	120	163	08.09-08.14	*
E 220 BlueTEC 4-matic (212.211) (OM 651.924)	Diesel	4WD	2143	125	170	12.14-12.16	*
E 220 CDI / BlueTEC (212.202, 212.201) (OM 651.924)	Diesel	RWD	2143	125	170	11.09-12.16	*
E 220 BlueTEC (212.201) (OM 651.924)	Diesel	RWD	2143	130	177	05.15-12.16	*
E 250 CDI / BlueTEC(212.004) (OM 651.924)	Diesel	RWD	2143	150	204	11.09-12.16	*
E 250 CDI / BlueTEC 4-matic (212.282, 212.297) (OM 651.924)	Diesel	4WD	2143	150	204	07.10-12.16	*
E 300 CDI (212.220) (OM 642.850)	Diesel	RWD	2987	150	204	12.09-12.10	*
E 350 BlueTEC (212.224) (OM 642.850)	Diesel	RWD	2987	155	211	11.09-12.13	*
E 300 CDI / BlueTEC (212.227, 212.221) (OM 642.850)	Diesel	RWD	2987	170	231	11.09-12.16	*
E 300 CDI / BlueTEC (212.227, 212.221) (OM 642.852)	Diesel	RWD	2987	170	231	11.09-12.16	*
E 350 CDI (212.225) (OM 642.850)	Diesel	RWD	2987	170	231	11.09-12.11	*
E 350 CDI 4-matic (212.293) (OM 642.856)	Diesel	4WD	2987	170	231	11.09-12.11	*
E 350 BlueTEC (212.226) (OM 642.852)	Diesel	RWD	2987	185	252	11.12-12.16	*
E 350 BlueTEC 4-matic (212.294) (OM 642.858)	Diesel	4WD	2987	185	252	11.12-12.16	*
E 350 BlueTEC (212.226) (OM 642.852)	Diesel	RWD	2987	190	258	07.14-12.16	*
E 350 BlueTEC 4-matic (212.294) (OM 642.852)	Diesel	4WD	2987	190	258	07.14-12.16	*
E 350 BlueTEC 4-matic (212.294) (OM 642.858)	Diesel	4WD	2987	190	258	07.14-12.16	*
E 350 CDI (212.223) (OM 642.852)	Diesel	RWD	2987	195	265	07.11-12.13	*
E 350 CDI 4-matic (212.293) (OM 642.858)	Diesel	4WD	2987	195	265	07.11-12.13	*
<b>S-Class IV (W220, V220) 09.98-12.06</b>							<b>Sedán (Luxury car-F Segment)</b>
S 280 (220.063, 220.163) (M 112.922)	Gasolina	RWD	2799	150	204	10.98-08.05	*
S 350, S 350 L (220.067, 220.167) (M 112.972)	Gasolina	RWD	3724	180	245	09.02-08.05	*
S 350 4-matic (220.087, 220.187) (M 112.975)	Gasolina	4WD	3724	180	245	06.03-08.05	*
S 430, S 430 L (220.070, 220.170) (M 113.941)	Gasolina	RWD	4266	205	279	10.98-08.05	*
S 430 4-matic (220.083, 220.183) (M 113.948)	Gasolina	4WD	4266	205	279	09.02-08.05	*
S 500 (220.075, 220.175, 220.875) (M 113.960)	Gasolina	RWD	4966	220	299	10.98-12.03	*
S 500, S 500 L (220.075, 220.175, 220.875) (M 113.960)	Gasolina	RWD	4966	225	306	10.98-08.05	*
S 500, S 500 L (220.075, 220.175, 220.875) (M 113.966)	Gasolina	RWD	4966	225	306	10.98-08.05	*

# LISTA DE APLICACIONES - BUYERS GUIDE

S 500 4-matic (220.084, 220.184) (M 113.966)	Gasolina	4WD	4966	225	306	09.02-08.05	*
S 600, S 600 L (220.176) (M 275.950)	Gasolina	RWD	5513	368	500	09.02-08.05	*
S 320 CDI (220.025, 220.125) (OM 648.960)	Diesel	RWD	3222	150	204	09.02-08.05	*
S 400 CDI (220.028, 220.128) (OM 628.960)	Diesel	RWD	3996	184	250	06.00-08.05	*
S 400 CDI (220.028, 220.128) (OM 628.960)	Diesel	RWD	3996	191	260	06.03-08.05	*
<b>S-Class V (C216) 05.06-12.13</b>				<b>Coupé (Luxury car-F Segment)</b>			
CL 500 (216.373) (M 278.920)	Gasolina	RWD	4663	320	435	02.11-12.13	*
CL 500 4-matic (216.394) (M 278.920)	Gasolina	4WD	4663	320	435	02.11-12.13	*
CL 500 (216.371) (M 273.961)	Gasolina	RWD	5461	285	388	06.06-12.13	*
CL 500 4-matic (216.386) (M 273.968)	Gasolina	4WD	5461	285	388	02.08-12.13	*
<b>S-Class V (W221, V221) 09.05-12.17</b>				<b>Sedán (Luxury car-F Segment)</b>			
S 280 (221.054) (M 272.946)	Gasolina	RWD	2996	170	231	08.06-12.13	*
S 300 (221.054, 221.154) (M 272.946)	Gasolina	RWD	2996	170	231	08.06-12.13	*
S 350 (221.056, 221.156) (M 272.965)	Gasolina	RWD	3498	200	272	10.05-12.13	*
S 350 4-matic (221.087, 221.187) (M 272.975)	Gasolina	4WD	3498	200	272	02.08-12.13	*
S 350 CGI (221.057, 221.157) (M 276.950)	Gasolina	RWD	3498	225	306	04.11-12.13	*
S 350 CGI 4-matic (221.082, 221.182) (M 276.950)	Gasolina	4WD	3498	225	306	04.11-12.13	*
S 450, S 450 L (221.070, 221.170) (M 273.922)	Gasolina	RWD	4663	250	340	12.05-12.13	*
S 450 4-matic (221.084, 221.184) (M 273.924)	Gasolina	4WD	4663	250	340	12.05-12.13	*
S 500 CGI (221.073, 221.173) (M 278.932)	Gasolina	RWD	4663	320	435	04.11-12.13	*
S 500 CGI 4-matic (221.094, 221.194) (M 278.932)	Gasolina	4WD	4663	320	435	03.11-12.13	*
5.5 S 500	Gasolina	FWD	5461	271	369	05.11-	*
S 500 (221.071, 221.171) (M 273.961)	Gasolina	RWD	5461	285	388	10.05-12.13	*
S 500 4-matic (221.086, 221.186) (M 273.961)	Gasolina	4WD	5461	285	388	10.05-12.13	*
S 500 4-matic (221.086, 221.186) (M 273.968)	Gasolina	4WD	5461	285	388	10.05-12.13	*
S 600 (221.176) (M 275.953)	Gasolina	RWD	5513	380	517	12.05-12.13	*
S 400 Hybrid (221.095, 221.195) (M 272.974)	Gasol./el éc.	RWD	3498	205	279	01.09-12.13	*
S 250 CDI (221.003, 221.103) (OM 651.961)	Diesel	RWD	2143	150	204	01.11-12.13	*
S 320 CDI (221.122, 221.022) (OM 642.930)	Diesel	RWD	2987	155	211	10.05-12.13	*
S 320 CDI 4-matic (221.080, 221.180) (OM 642.932)	Diesel	4WD	2987	155	211	10.05-12.13	*
S 350 CDI (221.122, 221.022) (OM 642.930)	Diesel	RWD	2987	155	211	06.09-12.13	*
S 350 CDI 4-matic (221.080, 221.180) (OM 642.932)	Diesel	4WD	2987	155	211	01.09-12.10	*
S 320 CDI (221.022, 221.122) (OM 642.930)	Diesel	RWD	2987	173	235	12.05-06.09	*
S 320 CDI 4-matic (221.080, 221.180) (OM 642.932)	Diesel	4WD	2987	173	235	10.06-12.13	*
S 350 CDI (221.022, 221.122) (OM 642.930)	Diesel	RWD	2987	173	235	06.09-12.13	*
S 350 CDI 4-matic (221.080, 221.180) (OM 642.932)	Diesel	4WD	2987	173	235	06.09-07.13	*
S 350 BlueTec (221.026, 221.126) (OM 642.862)	Diesel	RWD	2987	190	258	04.11-12.13	*
S 350 BlueTEC 4-matic (222.133) (OM 642.868)	Diesel	4WD	2987	190	258	04.11-12.13	*
S 420 CDI (221.028, 221.128) (OM 629.911)	Diesel	RWD	3996	235	320	10.06-12.09	*
S 450 CDI (221.028, 221.128) (OM 629.911)	Diesel	RWD	3996	235	320	01.09-12.13	*
<b>SL-Class IV (R230) 10.01-12.13</b>				<b>Cabrió (Grand Tourer-S Segment)</b>			
280 (230.454) (M 272.949)	Gasolina	RWD	2996	170	231	03.08-01.12	*
300 (230.454) (M 272.949)	Gasolina	RWD	2996	170	231	04.09-01.12	*
350 (230.456) (M 272.966)	Gasolina	RWD	3498	200	272	03.06-01.12	*
350 (230.458) (M 272.968)	Gasolina	RWD	3498	232	316	04.08-01.12	*
350 (230.467) (M 112.973)	Gasolina	RWD	3724	180	245	03.03-01.12	*
500 (230.475) (M 113.963)	Gasolina	RWD	4966	225	306	10.01-01.12	*
500 (230.471) (M 273.965)	Gasolina	RWD	5461	285	388	03.06-01.12	*

# LISTA DE APLICACIONES - BUYERS GUIDE

## MERCEDES-BENZ (BBDC)

E-Class (W211) 11.05-				Sedán (Executive car-E Segment)			
1.8	Gasolina	FWD	1796	120	161	11.05-	*
2.5	Gasolina	FWD	2496	150	201	11.05-	*
3.0	Gasolina	FWD	2998	170	228	11.05-	*
3.5 E 350 (211.056)	Gasolina	RWD	3498	200	272	11.05-12.09	*