

LISTA DE APLICACIONES - BUYERS GUIDE

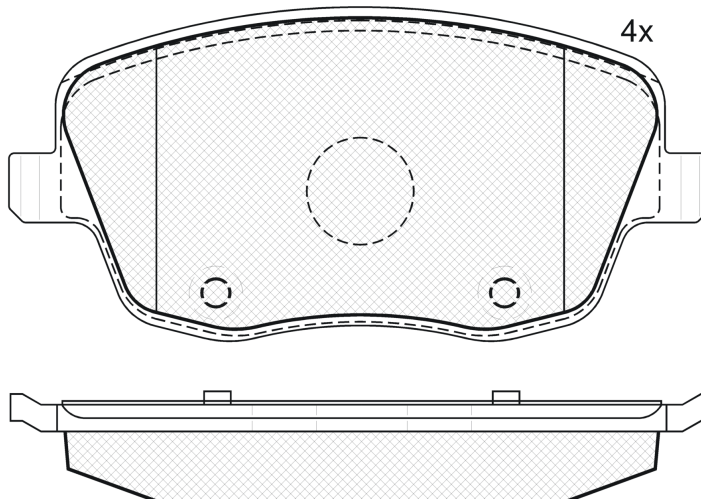
RB1575-701



Qty: 300

Weight: 1.815

O.E.M.	MAKE
6Q0 698 151 A	VW
86 60 004 727	RENAULT
86 71 016 697	RENAULT



RB1575-701



90R-01111/1022

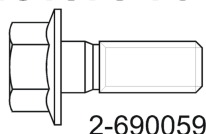


Lucas - Girling

131.5x62.5x18.8

WVA
23581
Sin Filas

181575-701



4x

2-690059



Trac.	CC	Kw	CV
-------	----	----	----



Front / Rear

SEAT

CORDOBA III (6L2) 09.02-11.09

Sedán (Supermini car-B Segment)

Model	Engine	Trac.	CC	Kw	CV	Period	Notes
1.2 (AZQ)	Gasolina	FWD	1198	47	64	10.02-06.06	*
1.2 (BME)	Gasolina	FWD	1198	47	64	10.02-06.06	*
1.2 12V (BXV)	Gasolina	FWD	1198	51	70	05.06-11.09	*
1.4 16V (BBY)	Gasolina	FWD	1390	55	75	09.02-12.07	*
1.4 16V (BKY)	Gasolina	FWD	1390	55	75	09.02-12.07	*
1.4 16V (BXW)	Gasolina	FWD	1390	63	86	05.06-11.09	*
1.4 16V (BBZ)	Gasolina	FWD	1390	74	100	10.02-11.09	*
1.6 (BAH)	Gasolina	FWD	1598	74	101	04.03-11.09	*
1.6 16V (BTS)	Gasolina	FWD	1598	77	105	11.06-11.09	*
2.0 (AZL)	Gasolina	FWD	1984	85	115	09.02-11.09	*
2.0 (BBX)	Gasolina	FWD	1984	85	115	09.02-11.09	*
1.4 Tdi 15"	Diesel	RWD	1395	51	69	09.02-	*
1.4 TDI (BNM)	Diesel	FWD	1422	51	70	05.05-11.09	*
1.4 TDI (AMF)	Diesel	FWD	1422	55	75	10.02-12.05	*
1.4 TDI (BMS)	Diesel	FWD	1422	59	80	06.05-11.09	*
1.4 TDI (BNV)	Diesel	FWD	1422	59	80	06.05-11.09	*
1.9 SDI (ASY)	Diesel	FWD	1896	47	64	09.02-11.09	*
1.9 TDI (ATD)	Diesel	FWD	1896	74	100	09.02-11.09	*
1.9 TDI (AXR)	Diesel	FWD	1896	74	100	09.02-11.09	*
1.9 TDI (BMT)	Diesel	FWD	1896	74	100	09.02-11.09	*
1.9 TDI (ASZ)	Diesel	FWD	1896	96	131	10.02-11.09	*
1.9 TDI (BLT)	Diesel	FWD	1896	96	131	10.02-11.09	*

LISTA DE APLICACIONES - BUYERS GUIDE

IBIZA II (6K1) 03.93-05.02					[CAMBIADO]:Fastback (Supermini car-B Segment)			
1.8 T 20V Cupra R (AYP)	Gasolina	FWD	1781	132	180	07.00-02.02	*	
IBIZA III (6L1) 02.02-11.09					[CAMBIADO]:Fastback (Supermini car-B Segment)			
1.4 16V (BBY)	Gasolina	FWD	1390	55	75	02.02-12.07	*	
1.4 16V (BKY)	Gasolina	FWD	1390	55	75	02.02-12.07	*	
1.4 16V (BXW)	Gasolina	FWD	1390	63	86	05.06-11.09	*	
1.4 16V (AUB)	Gasolina	FWD	1390	74	100	02.02-11.09	*	
1.4 16V (BBZ)	Gasolina	FWD	1390	74	100	02.02-11.09	*	
1.8 T FR (BJX)	Gasolina	FWD	1781	110	150	12.03-05.08	*	
1.8 T FR (BKV)	Gasolina	FWD	1781	110	150	12.03-05.08	*	
2.0 (AZL)	Gasolina	FWD	1984	85	116	04.02-11.09	*	
2.0 (BBX)	Gasolina	FWD	1984	85	116	04.02-11.09	*	
1.9 TDI (ASZ)	Diesel	FWD	1896	96	131	02.02-11.09	*	
1.9 TDI (BLT)	Diesel	FWD	1896	96	131	02.02-11.09	*	
1.9 TDI Cupra R (BPX)	Diesel	FWD	1896	118	160	03.04-02.08	*	
1.9 TDI Cupra R (BUK)	Diesel	FWD	1896	118	160	03.04-02.08	*	
IBIZA IV (6J5, 6P1) 03.08-					[CAMBIADO]:Fastback (Supermini car-B Segment)			
1.2 TSI (CBZB)	Gasolina	FWD	1197	77	105	09.10-03.12	*	
1.2 (BZG)	Gasolina	FWD	1198	51	70	03.08-05.15	*	
1.2 (CGPA)	Gasolina	FWD	1198	51	70	03.08-05.15	*	
1.2 (CJLB)	Gasolina	FWD	1198	51	70	03.08-05.15	*	
1.4 (BXW)	Gasolina	FWD	1390	63	85	03.08-05.15	*	
1.4 (CGGB)	Gasolina	FWD	1390	63	85	03.08-05.15	*	
1.6 LPG (CNKA)	Gasol./Gas (LPG)	FWD	1598	60	81	05.11-05.15	*	
1.2 TDI (CFWA)	Diesel	FWD	1199	55	75	06.10-05.15	*	
1.4 TDI (BMS)	Diesel	FWD	1422	59	80	07.08-06.10	*	
1.6 TDI	Diesel	RWD	1598	55	75	05.10-06.10	*	
1.6 TDI (CAYA)	Diesel	FWD	1598	55	75	05.09-06.10	*	
1.6 TDI (CAYB)	Diesel	FWD	1598	66	90	05.09-05.15	*	
1.9 TDI (BXJ)	Diesel	FWD	1896	66	90	07.08-06.10	*	
IBIZA IV SC (6J1, 6P5) 06.08-12.18					[CAMBIADO]:Fastback (Supermini car-B Segment)			
1.6 TDI (CAYA)	Diesel	FWD	1598	55	75	05.10-06.10	*	
IBIZA IV SC (6J1, 6P5) 06.08-12.18					Coupé (Supermini car-B Segment)			
1.6 TDI	Diesel	RWD	1598	55	75	05.10-06.10	*	
IBIZA IV ST (6J8, 6P8) 03.10-					[CAMBIADO]:Break (Supermini car-B Segment)			
1.2 TSI (CBZB)	Gasolina	FWD	1197	77	105	09.10-05.15	*	
1.4 (CGGB)	Gasolina	FWD	1390	63	85	03.10-05.15	*	
1.4 TSI (CAVF)	Gasolina	FWD	1390	110	150	02.12-05.15	*	
1.4 TSI (CNUB)	Gasolina	FWD	1390	110	150	02.12-05.15	*	
1.4 TSI (CTHF)	Gasolina	FWD	1390	110	150	02.12-05.15	*	
1.4 TSI (CTJB)	Gasolina	FWD	1390	110	150	02.12-05.15	*	
1.6	Gasolina	FWD	1598	77	105	02.12-	*	
1.6 (BTS)	Gasolina	FWD	1598	77	105	02.12-05.15	*	
1.2 TDI (CFWA)	Diesel	FWD	1199	55	75	04.10-05.15	*	
1.6 TDI (CAYB)	Diesel	FWD	1598	66	90	03.10-05.15	*	

SKODA

LISTA DE APLICACIONES - BUYERS GUIDE

FABIA (6Y2) 08.99-03.08					[CAMBIADO]:Fastback (Compact car-C Segment)			
2.0 (AZL)		Gasolina	FWD	1984	85	116	12.99-03.08	*
1.9 TDI RS (ASZ)		Diesel	FWD	1896	96	130	06.03-03.08	*
1.9 TDI RS (BLT)		Diesel	FWD	1896	96	130	06.03-03.08	*
FABIA (6Y3) 10.99-12.07					Sedán (Compact car-C Segment)			
2.0 (AZL)		Gasolina	FWD	1984	85	116	12.99-12.07	*
FABIA II (542) 12.06-12.14					[CAMBIADO]:Fastback (Compact car-C Segment)			
1.2 (BBM)		Gasolina	FWD	1198	44	60	12.06-12.14	*
1.2 (CHFA)		Gasolina	FWD	1198	44	60	12.06-12.14	*
1.2 12V (CGPB)		Gasolina	FWD	1198	44	60	11.11-12.14	*
1.2 (BZG)		Gasolina	FWD	1198	51	70	01.07-12.14	*
1.2 (CEVA)		Gasolina	FWD	1198	51	70	01.07-12.14	*
1.2 (CGPA)		Gasolina	FWD	1198	51	70	01.07-12.14	*
1.2 (CHTA)		Gasolina	FWD	1198	51	70	01.07-12.14	*
1.2 12V		Gasolina	FWD	1198	55	75	10.10-12.14	*
1.4 TSI RS (CAVE)		Gasolina	FWD	1390	132	180	05.10-12.14	*
1.4 TSI RS (CTHE)		Gasolina	FWD	1390	132	180	05.10-12.14	*
1.2 TDI (CFWA)		Diesel	FWD	1199	55	75	05.10-12.14	*
1.4 TDI (BNM)		Diesel	FWD	1422	51	70	02.07-03.10	*
1.9 TDI (BLS)		Diesel	FWD	1896	77	105	04.07-03.10	*
1.9 TDI (BSW)		Diesel	FWD	1896	77	105	04.07-03.10	*
FABIA II Combi (545) 10.07-12.14					[CAMBIADO]:Break (Compact car-C Segment)			
1.2 (BBM)		Gasolina	FWD	1198	44	60	10.07-11.14	*
1.2 (CHFA)		Gasolina	FWD	1198	44	60	10.07-11.14	*
1.2 12V (CGPB)		Gasolina	FWD	1198	44	60	11.11-12.14	*
1.2 (BZG)		Gasolina	FWD	1198	51	70	10.07-12.14	*
1.2 (CEVA)		Gasolina	FWD	1198	51	70	10.07-12.14	*
1.2 (CGPA)		Gasolina	FWD	1198	51	70	10.07-12.14	*
1.2 (CHTA)		Gasolina	FWD	1198	51	70	10.07-12.14	*
1.4 TSI RS (CAVE)		Gasolina	FWD	1390	132	180	05.10-12.14	*
1.4 TSI RS (CTHE)		Gasolina	FWD	1390	132	180	05.10-12.14	*
1.2 TDI (CFWA)		Diesel	FWD	1199	55	75	05.10-12.14	*
1.4 TDI (BNM)		Diesel	FWD	1422	51	70	10.07-03.10	*
1.9 TDI (BLS)		Diesel	FWD	1896	77	105	10.07-03.10	*
1.9 TDI (BSW)		Diesel	FWD	1896	77	105	10.07-03.10	*
FABIA Combi (6Y5) 04.00-12.07					[CAMBIADO]:Break (Compact car-C Segment)			
2.0 (AZL)		Gasolina	FWD	1984	85	116	04.00-12.07	*
1.4 TDI (BNV)		Diesel	FWD	1422	59	80	10.05-12.07	*
ROOMSTER / PRAKTIK (5J) 03.07-05.15					[CAMBIADO]:Furgón/Break (Large MPV-M1 Segment)			
1.2 TSI (CBZA)		Gasolina	FWD	1197	63	86	03.10-05.15	*
1.2 (BZG)		Gasolina	FWD	1198	51	70	03.07-05.15	*
1.2 (CGPA)		Gasolina	FWD	1198	51	70	03.07-05.15	*
1.4 (BXW)		Gasolina	FWD	1390	63	86	03.07-05.15	*
1.4 (CGGB)		Gasolina	FWD	1390	63	86	03.07-05.15	*
1.2 TDI (CFWA)		Diesel	FWD	1199	55	75	03.10-05.15	*
1.4 TDI (BNM)		Diesel	FWD	1422	51	70	03.07-03.10	*
1.4 TDI (BMS)		Diesel	FWD	1422	59	80	03.07-03.10	*
1.4 TDI (BNV)		Diesel	FWD	1422	59	80	03.07-03.10	*

LISTA DE APLICACIONES - BUYERS GUIDE

1.6 TDI (CAYB)		Diesel	FWD	1598	66	90	03.10-05.15	*
ROOMSTER / PRAKTIK (5J7) 03.06-05.15				MPV (Large MPV-M1 Segment)				
1.2 TSI (CBZA)		Gasolina	FWD	1197	63	86	03.10-05.15	*
1.2 TSI (CBZB)		Gasolina	FWD	1197	77	105	03.10-05.15	*
1.2 (BME)		Gasolina	FWD	1198	47	64	05.06-01.07	*
1.2 (BZG)		Gasolina	FWD	1198	51	70	01.07-05.15	*
1.2 (CGPA)		Gasolina	FWD	1198	51	70	01.07-05.15	*
1.4 (BXW)		Gasolina	FWD	1390	63	86	09.06-05.15	*
1.4 (CGGB)		Gasolina	FWD	1390	63	86	09.06-05.15	*
1.6 (BTS)		Gasolina	FWD	1598	77	105	09.06-05.15	*
1.6 (CFNA)		Gasolina	FWD	1598	77	105	09.06-05.15	*
1.2 LPG (CGPA)		Gasol./Gas (LPG)	FWD	1198	51	69	03.09-05.15	*
1.4 LPG (BXW)		Gasol./Gas (LPG)	FWD	1390	63	86	03.10-05.15	*
1.4 LPG (CGGB)		Gasol./Gas (LPG)	FWD	1390	63	86	03.10-05.15	*
1.6 LPG (BTS)		Gasol./Gas (LPG)	FWD	1598	77	105	06.06-07.10	*
1.2 TDI (CFWA)		Diesel	FWD	1199	55	75	03.10-05.15	*
1.4 TDI (BNM)		Diesel	FWD	1422	51	70	07.06-03.10	*
1.4 TDI (BMS)		Diesel	FWD	1422	59	80	09.06-03.10	*
1.4 TDI (BNV)		Diesel	FWD	1422	59	80	09.06-03.10	*
1.6 TDI (CAYB)		Diesel	FWD	1598	66	90	03.10-05.15	*
1.6 TDI (CAYC)		Diesel	FWD	1598	77	105	03.10-05.15	*
1.9 TDI (AXR)		Diesel	FWD	1896	74	101	03.06-05.06	*
1.9 TDI (BLS)		Diesel	FWD	1896	77	105	09.06-03.10	*
1.9 TDI (BSW)		Diesel	FWD	1896	77	105	09.06-03.10	*
VW								
POLO III CLASSIC / DERBY / FLIGHT (6V2) 01.95-11.09				Sedán (Supermini car-B Segment)				
1.6 (BAH)		Gasolina	FWD	1598	74	101	11.02-07.06	*
1.6 (CCRA)		Gasolina	FWD	1598	74	101	11.02-07.06	*
2.0		Gasolina	FWD	1984	74	101	06.99-07.05	*
POLO IV (9N_, 9A_) 10.01-10.14				[CAMBIADO]:Fastback (Supermini car-B Segment)				
1.2 (BBM)		Gasolina	FWD	1198	44	60	05.07-11.09	*
1.2 12V (AZQ)		Gasolina	FWD	1198	47	64	10.01-07.07	*
1.2 12V (BME)		Gasolina	FWD	1198	47	64	10.01-07.07	*
1.2 12V (BZG)		Gasolina	FWD	1198	51	69	05.07-11.09	*
1.4 16V (AUA)		Gasolina	FWD	1390	55	75	10.01-05.08	*
1.4 16V (BBY)		Gasolina	FWD	1390	55	75	10.01-05.08	*
1.4 16V (BKY)		Gasolina	FWD	1390	55	75	10.01-05.08	*
1.4 16V (BUD)		Gasolina	FWD	1390	59	80	05.06-11.09	*
1.4 (BLM)		Gasolina	FWD	1390	61	83	08.02-11.09	*
1.4 FSI (AXU)		Gasolina	FWD	1390	63	86	02.02-07.06	*
1.8 GTI (BJX)		Gasolina	FWD	1781	110	150	09.05-11.09	*
1.9 TDI (ASZ)		Diesel	FWD	1896	96	130	11.03-11.09	*
1.9 TDI (BLT)		Diesel	FWD	1896	96	130	11.03-11.09	*
POLO IV / DERBY (9A4, 9A2, 9N2, 9A6) 09.02-				Sedán (Supermini car-B Segment)				
1.0 (ARA)		Gasolina	FWD	999	58	79	02.03-10.03	*
1.4 (BBY)		Gasolina	FWD	1390	55	75	11.02-04.12	*
1.4 (BKY)		Gasolina	FWD	1390	55	75	11.02-04.12	*
1.4 (BLM)		Gasolina	FWD	1390	61	83	12.03-08.10	*

LISTA DE APLICACIONES - BUYERS GUIDE

1.6 (BAH)		Gasolina	FWD	1598	74	101	09.02-	*
1.6 (CCRA)		Gasolina	FWD	1598	74	101	09.02-	*
1.6 (CFZA)		Gasolina	FWD	1598	74	101	09.02-	*