

LISTA DE APLICACIONES - BUYERS GUIDE

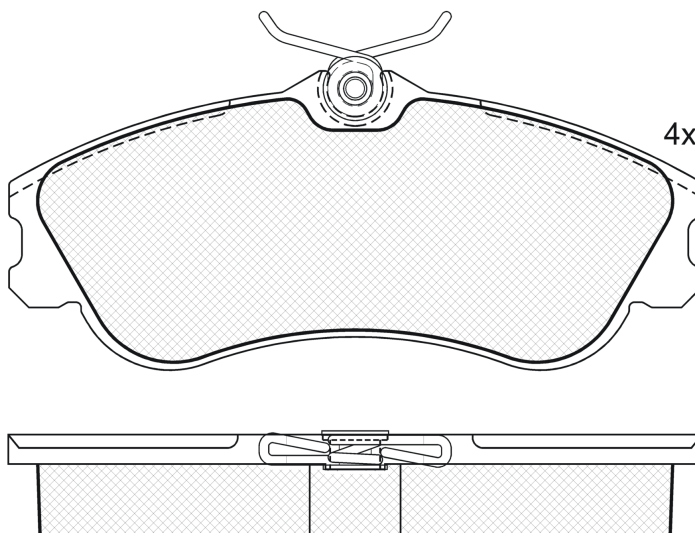
RB1570-700



Qty: 300

Weight: 1.550

O.E.M.	MAKE
16 172 731 80	PEUGEOT
4252.13	CITROËN
4252.34	CITROËN
4253.33	PEUGEOT
4253.78	PEUGEOT
4253.79	PEUGEOT
4253.80	CITROËN
86 60 004 704	RENAULT
86 71 016 657	RENAULT
E172073	CITROËN
E172536	PEUGEOT



RB1570-700

E 9 90R-01111/1051



Lucas - Girling

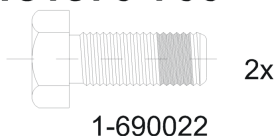
129.85x56x19

WVA

23346

Sin Filas

181570-700



1-690022



Trac.	CC	Kw	CV
-------	----	----	----



Front / Rear

CITROËN

BERLINGO / BERLINGO FIRST (M_) 07.96-12.11

Furgoneta/MPV (LCVs-N1 Segment)

Electric	Eléctrico	FWD		28	38	07.03-12.05	*
1.9 D 70 (MBWJZ, MCWJZ) (WJY (DW8B))	Diesel	FWD	1868	51	69	04.99-12.11	*
1.9 D 70 (MBWJZ, MCWJZ) (WJZ (DW8))	Diesel	FWD	1868	51	69	04.99-12.11	*
2.0 HDI 90 (MBRHY, MCRHY) (RHY (DW10TD))	Diesel	FWD	1997	66	90	12.99-12.11	*

BERLINGO / BERLINGO FIRST (MF_, GJK_, GFK_) 07.96-12.11

MPV (Large MPV-M1 Segment)

electrique	Eléctrico	FWD		16	22	01.00-10.02	*
Electric	Eléctrico	FWD		28	38	01.98-12.05	*

XSARA PICASSO (N68) 09.99-06.12

MPV (Compact MPV-M1 Segment)

1.6 (NFZ (TU5JP))	Gasolina	FWD	1587	65	88	12.99-09.01	*
1.6 (NFZ (TU5JP))	Gasolina	FWD	1587	67	91	06.02-08.05	*
1.6 (NFV (TU5JP))	Gasolina	FWD	1587	70	95	12.99-12.10	*
1.6 Chrono (NFV (TU5JP))	Gasolina	FWD	1587	74	101	04.01-10.04	*
1.6 16V (NFU (TU5JP4))	Gasolina	FWD	1587	80	109	09.05-12.11	*
1.6 16V (NFU (TU5JP4))	Gasolina	FWD	1587	81	110	06.05-09.06	*
1.8 16V (6FZ (EW7J4))	Gasolina	FWD	1749	85	115	02.00-08.05	*
1.8 SX	Gasolina	FWD	1761	76	103	06.00-08.05	*
2.0	Gasolina	FWD	1997	88	120	02.04-10.04	*
2.0 16V (RFN (EW10J4))	Gasolina	FWD	1997	100	136	01.03-06.12	*
2.0 16V (RFN (EW10J4))	Gasolina	FWD	1997	101	138	12.99-11.11	*
1.6 16V LPG	Gasol./Gas (LPG)	FWD	1587	80	109	06.04-12.10	*
1.6 HDi (9HX (DV6ATED4))	Diesel	FWD	1560	66	90	09.05-12.11	*
1.6 HDi (9HY (DV6TED4))	Diesel	FWD	1560	80	109	05.04-12.11	*

LISTA DE APLICACIONES - BUYERS GUIDE

1.6 HDi (9HZ (DV6TED4))		Diesel	FWD	1560	80	109	05.04-12.11	*
2.0 HDi (RHY (DW10TD))		Diesel	FWD	1997	66	90	12.99-12.11	*
CITROËN (DF-PSA)								
XSARA Picasso (N68) 09.01-12.12					MPV (Compact MPV-M1 Segment)			
1.6 Chrono		Gasolina	FWD	1587	65	87	11.01-12.05	*
2.0		Gasolina	FWD	1997	85	114	11.01-12.05	*
2.0		Gasolina	FWD	1997	99	133	11.01-	*
PEUGEOT								
206 (2A/C) 08.98-					[CAMBIADO]:Fastback (Supermini car-B Segment)			
1.6 16V (NFU (TU5JP4))		Gasolina	FWD	1587	79	107	06.01-04.09	*
1.6 16V (NFU (TU5JP4))		Gasolina	FWD	1587	80	109	07.00-04.09	*
1.6 (NFU (TU5JP4))		Gasolina	FWD	1587	81	110	05.05-07.08	*
2.0 HDI 90 (RHY (DW10TD))		Diesel	FWD	1997	66	90	12.99-09.09	*
206 (2D) 09.00-					Cabrío (Supermini car-B Segment)			
1.6 16V (2DNFUF, 2DNFUR) (NFU (TU5JP4))		Gasolina	FWD	1587	80	109	09.00-12.07	*
1.6 (NFU (TU5JP4))		Gasolina	FWD	1587	81	110	09.01-12.08	*
1.6 HDi 110 (9HZ (DV6TED4))		Diesel	FWD	1560	80	109	04.05-02.07	*
206 03.07-					Sedán (Supermini car-B Segment)			
1.6 16V (NFU (TU5JP4))		Gasolina	FWD	1587	80	109	03.07-	*
206 SW (2E/K) 07.02-					[CAMBIADO]:Break (Supermini car-B Segment)			
1.6 16V (NFU (TU5JP4))		Gasolina	FWD	1587	80	109	07.02-	*
1.6 (NFU (TU5JP4))		Gasolina	FWD	1587	81	110	05.05-07.08	*
2.0 HDi (RHY (DW10TD))		Diesel	FWD	1997	66	90	07.02-02.07	*
PARTNER (5_, G_) 03.97-07.08					Caja/Chasis (LCVs-N1 Segment)			
1.6		Gasolina	FWD	1587	80	109	09.00-05.08	*
1.8		Gasolina	FWD	1761	66	90	03.97-08.00	*
1.9 D (WJY (DW8B))		Diesel	FWD	1868	51	69	01.99-07.08	*
1.9 D (WJZ (DW8))		Diesel	FWD	1868	51	69	01.99-07.08	*
2.0 HDi		Diesel	FWD	1997	66	90	11.02-07.08	*
PARTNER / GRAND RAID / RANCH (5_, G_) 05.96-12.15					MPV (Compact MPV-M1 Segment)			
1.1 (HDZ (TU1M))		Gasolina	FWD	1124	44	60	06.96-10.02	*
1.1 (HFX (TU1JP))		Gasolina	FWD	1124	44	60	06.96-10.02	*
1.4 (KFW (TU3JP))		Gasolina	FWD	1360	54	73	11.02-10.06	*
1.4 (KFW (TU3A))		Gasolina	FWD	1360	55	75	06.96-12.15	*
1.4 (KFW (TU3JP))		Gasolina	FWD	1360	55	75	06.96-12.15	*
1.4 (KFX (TU3JP))		Gasolina	FWD	1360	55	75	06.96-12.15	*
1.6 16V (NFU (TU5JP4))		Gasolina	FWD	1587	80	109	07.01-03.08	*
1.8 (LFX (XU7JB))		Gasolina	FWD	1761	66	90	05.97-12.02	*
1.6 Flexfuel (NFU (TU5JP4))		Gasol./Etanol	FWD	1587	80	109	09.00-10.02	*
Electric		Eléctrico	FWD		28	38	01.98-12.01	*
1.9 D (WJY (DW8B))		Diesel	FWD	1868	51	69	01.99-07.08	*
1.9 D (WJZ (DW8))		Diesel	FWD	1868	51	69	01.99-07.08	*
1.9 D (DJY (XUD9A))		Diesel	FWD	1905	50	68	06.96-12.02	*
1.9 D (XUD9)		Diesel	FWD	1905	51	69	05.96-12.98	*
2.0 HDi (RHY (DW10TD))		Diesel	FWD	1997	66	90	02.00-07.08	*
PARTNER / RANCH (5_, G_) 06.96-12.15					Furgoneta/MPV (LCVs-N1 Segment)			
1.1 (HDZ (TU1M))		Gasolina	FWD	1124	44	60	06.96-09.05	*

LISTA DE APLICACIONES - BUYERS GUIDE

1.4 (KFW (TU3A))		Gasolina	FWD	1360	55	75	06.96-12.15	*	
1.4 (KFX (TU3JP))		Gasolina	FWD	1360	55	75	06.96-12.15	*	
1.4 (TU32)		Gasolina	FWD	1360	55	75	06.96-12.15	*	
1.6 (NFU (TU5JP4))		Gasolina	FWD	1587	80	109	09.00-10.02	*	
1.8 (LFX (XU7JB))		Gasolina	FWD	1761	66	90	03.97-08.00	*	
1.4 BiFuel		Gasol./Gas (LPG)	FWD	1360	55	75	04.03-10.06	*	
1.4 CNG (KFW (TU3JP))		Gasol./Gas (CNG)	FWD	1360	55	75	04.03-10.06	*	
1.6 BioFlex (NFU (TU5JP4))		Gasol./Etanol	FWD	1587	80	109	09.00-10.02	*	
Electric (ELSA18)		Eléctrico	FWD		25	34	06.96-12.02	*	
1.8 D (A9A (XUD7))		Diesel	FWD	1769	43	58	06.96-12.02	*	
1.8 D (A9A (XUD7))		Diesel	FWD	1769	44	60	11.96-02.98	*	
1.9 D (WJY (DW8B))		Diesel	FWD	1868	51	69	06.96-12.15	*	
1.9 D (WJZ (DW8))		Diesel	FWD	1868	51	69	06.96-12.15	*	
1.9 D (DJY (XUD9A))		Diesel	FWD	1905	50	68	06.96-12.98	*	
1.9 D (DJY (XUD9A))		Diesel	FWD	1905	51	69	06.96-12.02	*	
2.0 HDi (RHY (DW10TD))		Diesel	FWD	1997	66	90	04.00-07.08	*	
PARTNER II ORIGIN (G_) 07.08-12.15							Furgoneta/MPV (LCVs-N1 Segment)		
1.4 (KFW (TU3JP))		Gasolina	FWD	1360	55	75	08.08-12.15	*	
PARTNER II ORIGIN (G_) 07.08-12.13							MPV (Compact MPV-M1 Segment)		
1.4 (KFW (TU3JP))		Gasolina	FWD	1360	55	75	07.08-12.13	*	
1.6 16V (NFU (TU5JP4))		Gasolina	FWD	1587	81	110	09.11-12.13	*	