

LISTA DE APLICACIONES - BUYERS GUIDE

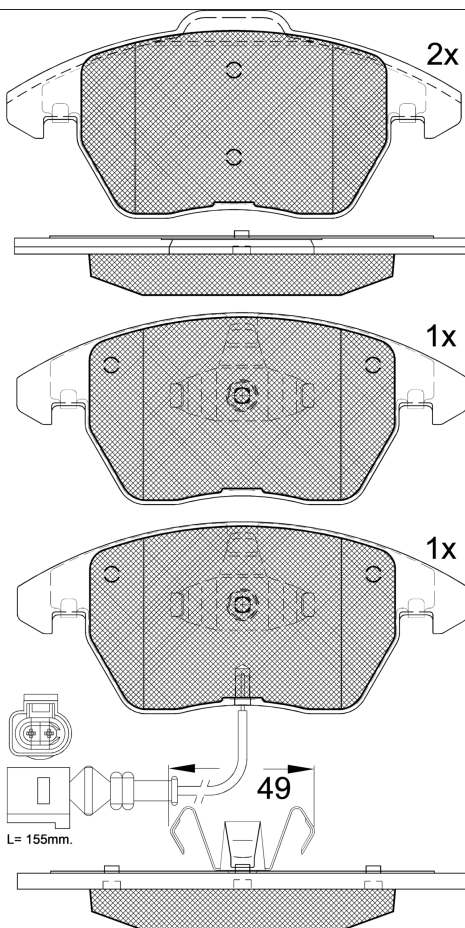
RB1567-208



Qty: 300

Weight: 2.085

O.E.M.	MAKE
1K0 698 151 C	VW
3C0 698 151 A	VW
3C0 698 151 D	VW
3C0 698 151 K	VW
8J0 698 151	AUDI
8J0 698 151 C	AUDI



RB1567-208

E 9 90R-02A0111/4876



Ate - Teves

155.15x66.1x20.3

155.3x71.6x20.3

WVA	FMSI
23587	D1319-8212
23588	D1319-8760
24696	

Sin Filas



Trac.	CC	Kw	CV
-------	----	----	----



Front / Rear

AUDI

					[CAMBIADO]:Fastback (Supermini car-B Segment)				
A1 (8X1, 8XK) 05.10-									
1.4 TFSI (CAXA)		Gasolina	FWD	1390	90	122	05.10-04.15	*	
1.4 TFSI (CNVA)		Gasolina	FWD	1390	90	122	05.10-04.15	*	
1.4 TFSI (CAVG)		Gasolina	FWD	1390	136	185	01.11-04.15	*	
1.4 TFSI (CTHG)		Gasolina	FWD	1390	136	185	01.11-04.15	*	
1.4 TFSI (CPTA)		Gasolina	FWD	1395	103	140	04.12-04.15	*	
2.0 TFSI quattro (CDLH)		Gasolina	4WD	1984	188	256	03.12-11.12	*	
1.6 TDI (CAYB)		Diesel	FWD	1598	66	90	03.11-04.15	*	
1.6 TDI (CAYC)		Diesel	FWD	1598	77	105	05.10-04.15	*	
2.0 TDI (CFHB)		Diesel	FWD	1968	100	136	05.12-04.15	*	
2.0 TDI (CFHD)		Diesel	FWD	1968	105	143	09.11-04.15	*	
A1 Sportback (8XA, 8XF) 09.11-					[CAMBIADO]:Fastback (Supermini car-B Segment)				
1.2 TFSI (CBZA)		Gasolina	FWD	1197	63	86	01.12-04.15	*	
1.4 TFSI (CAXA)		Gasolina	FWD	1390	90	122	11.11-04.15	*	
1.4 TFSI (CNVA)		Gasolina	FWD	1390	90	122	11.11-04.15	*	
1.4 TFSI (CAVG)		Gasolina	FWD	1390	136	185	11.11-04.15	*	
1.4 TFSI (CTHG)		Gasolina	FWD	1390	136	185	11.11-04.15	*	
1.4 TFSI (CPTA)		Gasolina	FWD	1395	103	140	04.12-04.15	*	
1.6 TDI (CAYB)		Diesel	FWD	1598	66	90	11.11-04.15	*	
1.6 TDI (CAYC)		Diesel	FWD	1598	77	105	11.11-04.15	*	
2.0 TDI (CFHB)		Diesel	FWD	1968	100	136	05.12-04.15	*	
2.0 TDI (CFHD)		Diesel	FWD	1968	105	143	09.11-04.15	*	

LISTA DE APLICACIONES - BUYERS GUIDE

A3 II (8P1) 05.03-12.13					[CAMBIADO]:Fastback (Compact executive car-D Segment)			
1.8 TFSI quattro (CDAA)		Gasolina	4WD	1798	118	160	07.08-08.12	*
2.0 TFSI (AXX)		Gasolina	FWD	1984	147	200	09.04-08.12	*
2.0 TFSI (BWA)		Gasolina	FWD	1984	147	200	09.04-08.12	*
2.0 TFSI (CAWB)		Gasolina	FWD	1984	147	200	09.04-08.12	*
2.0 TFSI (CCZA)		Gasolina	FWD	1984	147	200	09.04-08.12	*
2.0 TFSI quattro (AXX)		Gasolina	4WD	1984	147	200	09.04-08.12	*
2.0 TFSI quattro (BWA)		Gasolina	4WD	1984	147	200	09.04-08.12	*
2.0 TFSI quattro (CBFA)		Gasolina	4WD	1984	147	200	09.04-08.12	*
2.0 TFSI quattro (CCTA)		Gasolina	4WD	1984	147	200	09.04-08.12	*
2.0 TFSI quattro (CCZA)		Gasolina	4WD	1984	147	200	09.04-08.12	*
2.0 TDI 16V quattro (BKD)		Diesel	4WD	1968	103	140	08.04-08.12	*
2.0 TDI 16V quattro (CBAB)		Diesel	4WD	1968	103	140	08.04-08.12	*
2.0 TDI 16V quattro (CFFB)		Diesel	4WD	1968	103	140	08.04-08.12	*
2.0 TDI quattro (BMM)		Diesel	4WD	1968	103	140	01.06-06.08	*
2.0 TDI (BMN)		Diesel	FWD	1968	125	170	03.06-08.12	*
2.0 TDI (CBBB)		Diesel	FWD	1968	125	170	03.06-08.12	*
2.0 TDI (CFGB)		Diesel	FWD	1968	125	170	03.06-08.12	*
2.0 TDI quattro (BMN)		Diesel	4WD	1968	125	170	03.06-08.12	*
2.0 TDI quattro (CBBB)		Diesel	4WD	1968	125	170	03.06-08.12	*
2.0 TDI quattro (CFGB)		Diesel	4WD	1968	125	170	03.06-08.12	*
A3 II Sportback (8PA) 09.04-12.15					[CAMBIADO]:Fastback (Compact executive car-D Segment)			
1.8 TFSI quattro (CDAA)		Gasolina	4WD	1798	118	160	07.08-03.13	*
2.0 TFSI (AXX)		Gasolina	FWD	1984	147	200	09.04-03.13	*
2.0 TFSI (BPY)		Gasolina	FWD	1984	147	200	09.04-03.13	*
2.0 TFSI (BWA)		Gasolina	FWD	1984	147	200	09.04-03.13	*
2.0 TFSI (CAWB)		Gasolina	FWD	1984	147	200	09.04-03.13	*
2.0 TFSI (CBFA)		Gasolina	FWD	1984	147	200	09.04-03.13	*
2.0 TFSI (CCTA)		Gasolina	FWD	1984	147	200	09.04-03.13	*
2.0 TFSI (CCZA)		Gasolina	FWD	1984	147	200	09.04-03.13	*
2.0 TFSI quattro (AXX)		Gasolina	4WD	1984	147	200	09.04-03.13	*
2.0 TFSI quattro (BPY)		Gasolina	4WD	1984	147	200	09.04-03.13	*
2.0 TFSI quattro (BWA)		Gasolina	4WD	1984	147	200	09.04-03.13	*
2.0 TFSI quattro (CBFA)		Gasolina	4WD	1984	147	200	09.04-03.13	*
2.0 TFSI quattro (CCTA)		Gasolina	4WD	1984	147	200	09.04-03.13	*
2.0 TFSI quattro (CCZA)		Gasolina	4WD	1984	147	200	09.04-03.13	*
2.0 TDI 16V quattro (BKD)		Diesel	4WD	1968	103	140	11.05-03.13	*
2.0 TDI 16V quattro (CBAB)		Diesel	4WD	1968	103	140	11.05-03.13	*
2.0 TDI 16V quattro (CFFB)		Diesel	4WD	1968	103	140	11.05-03.13	*
2.0 TDI quattro (BMM)		Diesel	4WD	1968	103	140	01.06-06.08	*
2.0 TDI (BMN)		Diesel	FWD	1968	125	170	03.06-03.13	*
2.0 TDI (CBBB)		Diesel	FWD	1968	125	170	03.06-03.13	*
2.0 TDI (CFGB)		Diesel	FWD	1968	125	170	03.06-03.13	*
2.0 TDI quattro (BMN)		Diesel	4WD	1968	125	170	03.06-03.13	*
2.0 TDI quattro (CBBB)		Diesel	4WD	1968	125	170	03.06-03.13	*
2.0 TDI quattro (CFGB)		Diesel	4WD	1968	125	170	03.06-03.13	*
TT II (8J9) 03.07-09.14					Cabrío (Sports car-S Segment)			
1.8 TFSI (CDAA)		Gasolina	FWD	1798	118	160	06.08-06.14	*
2.0 TFSI (BPY)		Gasolina	FWD	1984	147	200	03.07-06.10	*
2.0 TFSI (BWA)		Gasolina	FWD	1984	147	200	03.07-06.10	*

LISTA DE APLICACIONES - BUYERS GUIDE

2.0 TFSI (CCTA)	Gasolina	FWD	1984	147	200	03.07-06.10	*	
2.0 TFSI quattro (CCTA)	Gasolina	4WD	1984	147	200	06.08-06.10	*	
2.0 TFSI quattro (CCZA)	Gasolina	4WD	1984	147	200	06.08-06.10	*	
2.0 TFSI (CESA)	Gasolina	FWD	1984	155	211	05.10-06.14	*	
2.0 TFSI quattro (CESA)	Gasolina	4WD	1984	155	211	05.10-06.14	*	
2.0 TFSI quattro (CETA)	Gasolina	4WD	1984	155	211	05.10-06.14	*	
2.0 TTS quattro (CDLB)	Gasolina	4WD	1984	200	272	05.08-06.14	*	
3.2 V6 quattro (BUB)	Gasolina	4WD	3189	184	250	03.07-06.10	*	
3.2 V6 quattro (CBRA)	Gasolina	4WD	3189	184	250	03.07-06.10	*	
2.0 TDI quattro (CBBB)	Diesel	4WD	1968	125	170	06.08-06.14	*	
2.0 TDI quattro (CFGB)	Diesel	4WD	1968	125	170	06.08-06.14	*	
TT II (8J3) 07.06-02.15					Coupé (Sports car-S Segment)			
1.8 TFSI (CDAA)	Gasolina	FWD	1798	118	160	06.08-06.14	*	
2.0 TFSI (BPY)	Gasolina	FWD	1984	147	200	08.06-06.10	*	
2.0 TFSI (BWA)	Gasolina	FWD	1984	147	200	08.06-06.10	*	
2.0 TFSI (CCTA)	Gasolina	FWD	1984	147	200	08.06-06.10	*	
2.0 TFSI quattro (CCTA)	Gasolina	4WD	1984	147	200	06.08-06.10	*	
2.0 TFSI quattro (CCZA)	Gasolina	4WD	1984	147	200	06.08-06.10	*	
2.0 TFSI (CESA)	Gasolina	FWD	1984	155	211	05.10-06.14	*	
2.0 TFSI quattro (CESA)	Gasolina	4WD	1984	155	211	05.10-06.14	*	
2.0 TFSI quattro (CETA)	Gasolina	4WD	1984	155	211	05.10-06.14	*	
2.0 TTS quattro (CDLA)	Gasolina	4WD	1984	195	265	05.08-06.14	*	
2.0 TTS quattro (CDMA)	Gasolina	4WD	1984	195	265	05.08-06.14	*	
2.0 TTS quattro (CDLB)	Gasolina	4WD	1984	200	272	05.08-06.14	*	
3.2 V6 quattro (BUB)	Gasolina	4WD	3189	184	250	08.06-06.10	*	
3.2 V6 quattro (CBRA)	Gasolina	4WD	3189	184	250	08.06-06.10	*	
2.0 TDI quattro (CBBB)	Diesel	4WD	1968	125	170	06.08-06.14	*	
2.0 TDI quattro (CFGB)	Diesel	4WD	1968	125	170	06.08-06.14	*	
VW								
CC B7 (358) 11.11-10.17					Coupé (Large family car-D Segment)			
1.4 TSI (CTHD)	Gasolina	FWD	1390	118	160	11.11-12.16	*	
1.8 TSI (CDAB)	Gasolina	FWD	1798	112	152	11.11-12.16	*	
1.8 TSI (CDAA)	Gasolina	FWD	1798	118	160	11.11-12.16	*	
2.0 TFSI (CBFA)	Gasolina	FWD	1984	147	200	11.11-12.16	*	
2.0 TFSI (CCTA)	Gasolina	FWD	1984	147	200	11.11-12.16	*	
2.0 TSI (CCZB)	Gasolina	FWD	1984	155	210	11.11-12.16	*	
3.6 FSI 4motion (BWS)	Gasolina	4WD	3597	220	300	11.11-12.16	*	
1.4 TSI MultiFuel (CKMA)	Gasol./Etanol	FWD	1390	118	160	11.11-12.16	*	
2.0 TDI (CFFA)	Diesel	FWD	1968	100	136	11.11-12.16	*	
2.0 TDI (CFFB)	Diesel	FWD	1968	103	140	11.11-12.16	*	
2.0 TDI 4motion (CFFB)	Diesel	4WD	1968	103	140	11.11-12.16	*	
2.0 TDI (CFGB)	Diesel	FWD	1968	125	170	11.11-12.16	*	
2.0 TDI (CLLA)	Diesel	FWD	1968	125	170	11.11-12.16	*	
2.0 TDI 4motion (CFGB)	Diesel	4WD	1968	125	170	11.11-01.13	*	
2.0 TDI (CFGC)	Diesel	FWD	1968	130	177	12.12-12.16	*	
2.0 TDI 4motion (CFGC)	Diesel	4WD	1968	130	177	12.12-12.16	*	
GOLF VI / JETTA VI (5K1) 10.08-12.14					[CAMBIADO]:Fastback (Compact car-C Segment)			
1.4 TSI (CAXA)	Gasolina	FWD	1390	90	122	10.08-11.12	*	
1.4 TSI (CAVD)	Gasolina	FWD	1390	118	160	10.08-11.12	*	
1.4 TSI (CNWA)	Gasolina	FWD	1390	118	160	10.08-11.12	*	

LISTA DE APLICACIONES - BUYERS GUIDE

1.4 TSI (CTHD)		Gasolina	FWD	1390	118	160	10.08-11.12	*	
1.8 TSI (CDAA)		Gasolina	FWD	1798	118	160	06.09-01.11	*	
2.0 GTI (CBFA)		Gasolina	FWD	1984	147	200	06.09-11.13	*	
2.0 GTI (CCTA)		Gasolina	FWD	1984	147	200	06.09-11.13	*	
2.0 GTI (CCZA)		Gasolina	FWD	1984	147	200	06.09-11.13	*	
2.0 GTI (CCZB)		Gasolina	FWD	1984	155	210	04.09-11.12	*	
2.0 GTI (CDLG)		Gasolina	FWD	1984	173	235	05.11-11.12	*	
2.5 (CBTA)		Gasolina	FWD	2480	125	170	07.09-05.13	*	
2.5 (CBUA)		Gasolina	FWD	2480	125	170	07.09-05.13	*	
1.6 TDI (CAYC)		Diesel	FWD	1598	77	105	02.09-11.12	*	
2.0 TDI (CBDC)		Diesel	FWD	1968	81	110	10.08-11.12	*	
2.0 TDI (CLCA)		Diesel	FWD	1968	81	110	10.08-11.12	*	
2.0 TDI (CBAA)		Diesel	FWD	1968	100	136	10.08-11.12	*	
2.0 TDI (CFFA)		Diesel	FWD	1968	100	136	10.08-11.12	*	
2.0 TDI (CBAB)		Diesel	FWD	1968	103	140	10.08-05.13	*	
2.0 TDI (CFFB)		Diesel	FWD	1968	103	140	10.08-05.13	*	
2.0 TDI (CJAA)		Diesel	FWD	1968	103	140	10.08-05.13	*	
2.0 TDI 4motion (CBAB)		Diesel	4WD	1968	103	140	05.09-11.12	*	
2.0 TDI 4motion (CFFB)		Diesel	4WD	1968	103	140	05.09-11.12	*	
2.0 TDI (CBBB)		Diesel	FWD	1968	125	170	04.09-11.12	*	
2.0 TDI (CFGB)		Diesel	FWD	1968	125	170	04.09-11.12	*	
GOLF VI / JETTA VI (517) 03.11-							Cabrio (Compact car-C Segment)		
1.2 TSI (CBZB)		Gasolina	FWD	1197	77	105	03.11-05.16	*	
1.2 TSI 16V (CJZA)		Gasolina	FWD	1197	77	105	11.13-05.16	*	
1.2 TSI 16V (CYVD)		Gasolina	FWD	1197	77	105	11.13-05.16	*	
1.4 TSI (CAXA)		Gasolina	FWD	1390	90	122	11.11-05.16	*	
1.4 TSI (CAVD)		Gasolina	FWD	1390	118	160	03.11-05.16	*	
1.4 TSI (CNWA)		Gasolina	FWD	1390	118	160	03.11-05.16	*	
1.4 TSI (CTHD)		Gasolina	FWD	1390	118	160	03.11-05.16	*	
1.4 TSI (CTKA)		Gasolina	FWD	1390	118	160	03.11-05.16	*	
1.4 TSI (CXSB)		Gasolina	FWD	1395	92	125	11.13-05.16	*	
1.4 TSI (CZCA)		Gasolina	FWD	1395	92	125	11.13-05.16	*	
1.4 TSI (CHPB)		Gasolina	FWD	1395	110	150	11.13-05.16	*	
1.4 TSI (CZDA)		Gasolina	FWD	1395	110	150	11.13-05.16	*	
2.0 GTI (CCZB)		Gasolina	FWD	1984	155	211	05.12-05.16	*	
2.0 TSI (CULC)		Gasolina	FWD	1984	162	220	11.13-05.16	*	
2.0 R (CDLA)		Gasolina	FWD	1984	195	265	01.13-05.16	*	
1.6 TDI (CAYC)		Diesel	FWD	1598	77	105	03.11-05.16	*	
2.0 TDI (CUUA)		Diesel	FWD	1968	81	110	11.13-05.16	*	
2.0 TDI (CFHC)		Diesel	FWD	1968	103	140	11.11-05.16	*	
2.0 TDI (CUUB)		Diesel	FWD	1968	110	150	11.13-05.16	*	
GOLF VI / JETTA VI (5K1) 10.08-11.12							Furgón/hatchback (Compact car-C Segment)		
1.4 TSI (CAXA)		Gasolina	FWD	1390	90	122	01.09-08.14	*	
TSi (CAXA)		Gasolina	FWD	1390	90	122	10.08-11.12	*	
1.4 TSI (CAVD)		Gasolina	FWD	1390	118	160	10.08-11.12	*	
2.0 GTI (CCZB)		Gasolina	FWD	1984	155	211	02.09-11.12	*	
1.6 TDI (CAYC)		Diesel	FWD	1598	77	105	05.09-11.12	*	
1.6 TDI (CAYC)		Diesel	FWD	1598	77	105	02.09-08.14	*	
2.0 TDI (CFFB)		Diesel	FWD	1968	103	140	09.09-11.12	*	
2.0 TDI (CJAA)		Diesel	FWD	1968	103	140	09.09-11.12	*	

LISTA DE APLICACIONES - BUYERS GUIDE

2.0 TDI (CFHC)		Diesel	FWD	1968	103	140	11.09-08.14	*	
2.0 TDI (CFGB)		Diesel	FWD	1968	125	170	05.10-11.12	*	
GOLF VI VAN Variant / JETTA VI (AJ5) 07.09-05.14							[CAMBIADO]:Furgón/Break (Compact car-C Segment)		
1.4 TSI (CAXA)		Gasolina	FWD	1390	90	122	07.09-05.14	*	
1.4 TSI (CAVD)		Gasolina	FWD	1390	118	160	07.09-10.12	*	
2.0 TDI (CBDB)		Diesel	FWD	1968	103	140	07.09-05.14	*	
2.0 TDI (CFHC)		Diesel	FWD	1968	103	140	07.09-05.14	*	
GOLF VI Variant / JETTA VI (AJ5) 07.09-07.14							[CAMBIADO]:Break (Compact car-C Segment)		
1.4 TSI (CAXA)		Gasolina	FWD	1390	90	122	07.09-07.13	*	
1.4 TSI (CAVD)		Gasolina	FWD	1390	118	160	07.09-07.13	*	
1.4 TSI (CNWA)		Gasolina	FWD	1390	118	160	07.09-07.13	*	
1.4 TSI (CTHD)		Gasolina	FWD	1390	118	160	07.09-07.13	*	
1.4 TSI (CTKA)		Gasolina	FWD	1390	118	160	07.09-07.13	*	
2.0 TFSI (CCZA)		Gasolina	FWD	1984	147	200	07.09-07.13	*	
1.6 TDI 4motion (CAYC)		Diesel	4WD	1598	77	105	07.09-07.13	*	
2.0 TDI (CBDA)		Diesel	FWD	1968	100	136	07.09-07.13	*	
2.0 TDI (CFHB)		Diesel	FWD	1968	100	136	07.09-07.13	*	
2.0 TDI (CBDB)		Diesel	FWD	1968	103	140	07.09-07.13	*	
2.0 TDI (CFHC)		Diesel	FWD	1968	103	140	07.09-07.13	*	
2.0 TDI (CJAA)		Diesel	FWD	1968	103	140	07.09-07.13	*	
GOLF PLUS V (5M1, 521) 12.04-12.13							[CAMBIADO]:Fastback (Compact car-C Segment)		
1.4 TSI (CAXA)		Gasolina	FWD	1390	90	122	06.07-12.13	*	
1.4 TSI (BMY)		Gasolina	FWD	1390	103	140	05.06-06.08	*	
1.6 FSI (BLF)		Gasolina	FWD	1598	85	115	12.04-05.08	*	
2.0 FSI (BLR)		Gasolina	FWD	1984	110	150	05.05-06.08	*	
2.0 FSI (BLY)		Gasolina	FWD	1984	110	150	05.05-06.08	*	
2.0 FSI (BVY)		Gasolina	FWD	1984	110	150	05.05-06.08	*	
2.0 FSI (BVZ)		Gasolina	FWD	1984	110	150	05.05-06.08	*	
1.6 TDI (CAYC)		Diesel	FWD	1598	77	105	03.09-12.13	*	
1.9 TDI (BKC)		Diesel	FWD	1896	77	105	01.05-01.09	*	
1.9 TDI (BLS)		Diesel	FWD	1896	77	105	01.05-01.09	*	
1.9 TDI (BXE)		Diesel	FWD	1896	77	105	01.05-01.09	*	
2.0 TDI (BEE)		Diesel	FWD	1968	96	131	05.05-05.07	*	
2.0 TDI (AZV)		Diesel	FWD	1968	100	136	05.05-12.13	*	
2.0 TDI (CBDA)		Diesel	FWD	1968	100	136	05.05-12.13	*	
2.0 TDI (CFHB)		Diesel	FWD	1968	100	136	05.05-12.13	*	
2.0 TDI (BMM)		Diesel	FWD	1968	103	140	12.05-05.11	*	
2.0 TDI 16V (BKD)		Diesel	FWD	1968	103	140	01.05-12.13	*	
2.0 TDI 16V (CBDB)		Diesel	FWD	1968	103	140	01.05-12.13	*	
2.0 TDI 16V (CFHC)		Diesel	FWD	1968	103	140	01.05-12.13	*	
JETTA V / BORA / VENTO (1K2) 09.04-12.13							Sedán (Compact car-C Segment)		
1.4 TSI (CAXA)		Gasolina	FWD	1390	90	122	05.07-10.10	*	
1.4 TSI (BMY)		Gasolina	FWD	1390	103	140	07.06-10.10	*	
1.4 TSI (CAVD)		Gasolina	FWD	1390	118	160	07.08-10.10	*	
1.4 TSI (BLG)		Gasolina	FWD	1390	125	170	07.06-10.10	*	
2.0 FSI (BLR)		Gasolina	FWD	1984	110	150	08.05-10.10	*	
2.0 FSI (BLX)		Gasolina	FWD	1984	110	150	08.05-10.10	*	
2.0 FSI (BLY)		Gasolina	FWD	1984	110	150	08.05-10.10	*	
2.0 FSI (BVY)		Gasolina	FWD	1984	110	150	08.05-10.10	*	

LISTA DE APLICACIONES - BUYERS GUIDE

2.0 FSI (BVZ)		Gasolina	FWD	1984	110	150	08.05-10.10	*
2.5 (BGP)		Gasolina	FWD	2480	110	150	01.06-10.10	*
2.5 (BGQ)		Gasolina	FWD	2480	110	150	01.06-10.10	*
2.5 (BTK)		Gasolina	FWD	2480	110	150	01.06-10.10	*
2.5 (CBTA)		Gasolina	FWD	2480	125	170	07.08-10.10	*
2.5 (CBUA)		Gasolina	FWD	2480	125	170	07.08-10.10	*
2.5 (CCCA)		Gasolina	FWD	2480	125	170	07.08-10.10	*
2.0 TDI (AZV)		Diesel	FWD	1968	100	136	09.05-10.10	*
2.0 TDI (CBDA)		Diesel	FWD	1968	100	136	09.05-10.10	*
2.0 TDI (BMM)		Diesel	FWD	1968	103	140	10.05-10.10	*
2.0 TDI 16V (BKD)		Diesel	FWD	1968	103	140	08.05-10.10	*
2.0 TDI 16V (CBDB)		Diesel	FWD	1968	103	140	08.05-10.10	*
2.0 TDI 16V (CBEA)		Diesel	FWD	1968	103	140	08.05-10.10	*
2.0 TDI 16V (CJAA)		Diesel	FWD	1968	103	140	08.05-10.10	*
2.0 TDI (BMN)		Diesel	FWD	1968	125	170	10.06-10.10	*
2.0 TDI (CEGA)		Diesel	FWD	1968	125	170	10.06-10.10	*
JETTA VII (BU3, BU4, BU5) 12.17-					Sedán (Compact car-C Segment)			
1.4 TSI (CWLA)		Gasolina	FWD	1395	110	150	12.17-	*
1.4 TSI (CZDA)		Gasolina	FWD	1395	110	150	12.17-	*
1.4 TSI (DGXA)		Gasolina	FWD	1395	110	150	12.17-	*
1.4 TSI (DJXA)		Gasolina	FWD	1395	110	150	12.17-	*
350 TSI		Gasolina	FWD	1984	169	230	12.18-	*
250 Tsi		Gasol./Etanol	FWD	1395	110	150	05.18-	*
PASSAT B6 (3C2) 03.05-12.13					Sedán (Large family car-D Segment)			
2.0 FSI (CCTB)		Gasolina	FWD	1984	125	170	08.07-07.10	*
PASSAT B6 CC (357) 02.08-12.13					Coupé (Large family car-D Segment)			
3.6 FSI 4motion (BLV)		Gasolina	4WD	3580	206	280	06.08-01.12	*
3.6 FSI 4motion (CNNA)		Gasolina	4WD	3580	206	280	06.08-01.12	*
1.4 TSI MultiFuel (CKMA)		Gasol./Etanol	FWD	1390	118	160	01.11-01.12	*
PASSAT B6 Variant (3C5) 08.05-11.11					[CAMBIADO]:Break (Large family car-D Segment)			
2.0 TDI (BMP)		Diesel	FWD	1968	103	140	08.05-05.09	*
PASSAT B7 (365) 08.10-12.14					[CAMBIADO]:Furgón/Break (Large family car-D Segment)			
1.4 TSI (CAXA)		Gasolina	FWD	1390	90	122	08.10-12.14	*
1.8 TSI (CDAA)		Gasolina	FWD	1798	118	160	08.10-12.14	*
2.0 TSI		Gasolina	FWD	1984	155	211	11.10-12.14	*
1.6 TDI (CAYC)		Diesel	FWD	1598	77	105	08.10-12.14	*
2.0 TDI (CFFB)		Diesel	FWD	1968	103	140	08.10-12.14	*
2.0 TDI (CFGB)		Diesel	FWD	1968	125	170	08.10-12.14	*
2.0 TDI (CLLA)		Diesel	FWD	1968	125	170	08.10-12.14	*
PASSAT B7 (362) 08.10-04.16					Sedán (Large family car-D Segment)			
1.4 TSI (CAXA)		Gasolina	FWD	1390	90	122	08.10-12.14	*
1.4 TSI (CTHD)		Gasolina	FWD	1390	118	160	11.12-12.14	*
1.8 TSI (CDAB)		Gasolina	FWD	1798	112	152	02.11-12.14	*
1.8 TSI (CDAA)		Gasolina	FWD	1798	118	160	08.10-12.14	*
2.0 TSI (CCZB)		Gasolina	FWD	1984	155	210	11.10-12.14	*
1.4 TSI EcoFuel (CDGA)		Gasol./Gas (CNG)	FWD	1390	110	150	08.10-12.14	*

LISTA DE APLICACIONES - BUYERS GUIDE

1.4 TSI MultiFuel (CKMA)		Gasol./Etanol	FWD	1390	118	160	11.10-12.14	*	
1.6 TDI (CAYC)		Diesel	FWD	1598	77	105	08.10-12.14	*	
2.0 TDI (CFFA)		Diesel	FWD	1968	100	136	08.10-12.14	*	
2.0 TDI (CFFB)		Diesel	FWD	1968	103	140	08.10-12.14	*	
2.0 TDI 4motion (CFFB)		Diesel	4WD	1968	103	140	08.10-12.14	*	
2.0 TDI (CFGB)		Diesel	FWD	1968	125	170	08.10-12.14	*	
2.0 TDI (CLLA)		Diesel	FWD	1968	125	170	08.10-12.14	*	
2.0 TDI 4motion (CFGB)		Diesel	4WD	1968	125	170	08.10-01.13	*	
2.0 TDI (CFGC)		Diesel	FWD	1968	130	177	12.12-12.14	*	
2.0 TDI 4motion (CFGC)		Diesel	4WD	1968	130	177	01.13-12.14	*	
PASSAT B7 ALLTRACK (365) 01.12-12.14							[CAMBIADO]:Break (Large family car-D Segment)		
1.8 TSI (CDAB)		Gasolina	FWD	1798	112	152	01.12-12.14	*	
1.8 TSI (CDAA)		Gasolina	FWD	1798	118	160	01.12-12.14	*	
2.0 TSI 4motion (CCZB)		Gasolina	4WD	1984	155	210	01.12-12.14	*	
2.0 TDI (CFFB)		Diesel	FWD	1968	103	140	01.12-12.14	*	
2.0 TDI 4motion (CFFB)		Diesel	4WD	1968	103	140	01.12-12.14	*	
2.0 TDI 4motion (CFGB)		Diesel	4WD	1968	125	170	01.12-12.14	*	
2.0 TDI 4motion (CFGC)		Diesel	4WD	1968	130	177	01.13-12.14	*	
PASSAT B7 Variant (365) 08.10-12.15							[CAMBIADO]:Break (Large family car-D Segment)		
1.4 TSI (CAXA)		Gasolina	FWD	1390	90	122	08.10-12.14	*	
1.4 TSI (CTHD)		Gasolina	FWD	1390	118	160	11.12-12.14	*	
1.8 TSI (CDAB)		Gasolina	FWD	1798	112	152	02.11-12.14	*	
1.8 TSI (CDAA)		Gasolina	FWD	1798	118	160	08.10-12.14	*	
2.0 TSI (CCZB)		Gasolina	FWD	1984	155	210	11.10-12.15	*	
1.4 TSI EcoFuel (CDGA)		Gasol./Gas (CNG)	FWD	1390	110	150	08.10-12.14	*	
1.4 TSI MultiFuel (CKMA)		Gasol./Etanol	FWD	1390	118	160	11.10-12.14	*	
1.6 TDI (CAYC)		Diesel	FWD	1598	77	105	08.10-12.14	*	
2.0 TDI (CFFA)		Diesel	FWD	1968	100	136	08.10-12.14	*	
2.0 TDI (CFFB)		Diesel	FWD	1968	103	140	08.10-12.14	*	
2.0 TDI 4motion (CFFB)		Diesel	4WD	1968	103	140	08.10-12.14	*	
2.0 TDI (CFGB)		Diesel	FWD	1968	125	170	08.10-12.14	*	
2.0 TDI (CLLA)		Diesel	FWD	1968	125	170	08.10-12.14	*	
2.0 TDI 4motion (CFGB)		Diesel	4WD	1968	125	170	08.10-01.13	*	
2.0 TDI (CFGC)		Diesel	FWD	1968	130	177	12.12-12.14	*	
2.0 TDI 4motion (CFGC)		Diesel	4WD	1968	130	177	01.13-12.14	*	
SCIROCCO III (137, 138) 05.08-							Coupé (Sport compact car-C Segment)		
1.4 TSI (CAXA)		Gasolina	FWD	1390	90	122	08.08-11.17	*	
1.4 TSI (CMSB)		Gasolina	FWD	1390	90	122	08.08-11.17	*	
1.4 TSI (CAVD)		Gasolina	FWD	1390	118	160	05.08-11.17	*	
1.4 TSI (CNWA)		Gasolina	FWD	1390	118	160	05.08-11.17	*	
1.4 TSI (CTHD)		Gasolina	FWD	1390	118	160	05.08-11.17	*	
1.4 TSI (CTKA)		Gasolina	FWD	1390	118	160	05.08-11.17	*	
1.4 TSI (CXSB)		Gasolina	FWD	1395	92	125	11.13-11.17	*	
1.4 TSI (CZCA)		Gasolina	FWD	1395	92	125	11.13-11.17	*	
1.4 TSI (CZDA)		Gasolina	FWD	1395	110	150	07.15-11.17	*	
2.0 TSI (CULA)		Gasolina	FWD	1984	132	180	11.13-11.17	*	
2.0 TFSI (CAWB)		Gasolina	FWD	1984	147	200	05.08-11.09	*	
2.0 TSI (CCZB)		Gasolina	FWD	1984	155	210	11.09-11.17	*	

LISTA DE APLICACIONES - BUYERS GUIDE

2.0 TSI (CULC)		Gasolina	FWD	1984	162	220	11.13-11.17	*	
2.0 TDI (CFHB)		Diesel	FWD	1968	100	136	11.10-11.17	*	
2.0 TDI (CBDB)		Diesel	FWD	1968	103	140	08.08-11.17	*	
2.0 TDI (CFHC)		Diesel	FWD	1968	103	140	08.08-11.17	*	
2.0 TDI (CUUB)		Diesel	FWD	1968	110	150	11.13-11.17	*	
2.0 TDI (CBBB)		Diesel	FWD	1968	125	170	05.09-11.17	*	
2.0 TDI (CFGB)		Diesel	FWD	1968	125	170	05.09-11.17	*	
2.0 TDI (CFGC)		Diesel	FWD	1968	130	177	01.13-11.17	*	
2.0 TDI (CUWA)		Diesel	FWD	1968	135	184	05.14-11.17	*	
2.0 TDI (CUXA)		Diesel	FWD	1968	135	184	05.14-11.17	*	
SCIROCCO III (137) 06.08-05.14					Furgón/hatchback (Sport compact car-C Segment)				
1.4 TSI (CAXA)		Gasolina	FWD	1390	90	122	08.08-05.14	*	
1.4 TSI (CAVD)		Gasolina	FWD	1390	118	160	06.08-05.14	*	
2.0 TFSI (CCZB)		Gasolina	FWD	1984	155	211	11.09-05.14	*	
2.0 TDI (CBDB)		Diesel	FWD	1968	103	140	08.08-05.14	*	
2.0 TDI (CFHC)		Diesel	FWD	1968	103	140	08.08-05.14	*	
2.0 TDI (CBBB)		Diesel	FWD	1968	125	170	05.09-05.14	*	
2.0 TDI (CFGB)		Diesel	FWD	1968	125	170	05.09-05.14	*	
TOURAN (1T1, 1T2) 02.03-01.11					MPV (Compact MPV-M1 Segment)				
1.4 TSI (BMY)		Gasolina	FWD	1390	103	140	02.06-05.10	*	
1.4 TSI (CAVC)		Gasolina	FWD	1390	103	140	02.06-05.10	*	
1.4 TSI (BLG)		Gasolina	FWD	1390	125	170	11.06-05.10	*	
1.4 TSI (CAVB)		Gasolina	FWD	1390	125	170	11.06-05.10	*	
1.6 (BGU)		Gasolina	FWD	1595	75	102	07.03-05.10	*	
1.6 (BSE)		Gasolina	FWD	1595	75	102	07.03-05.10	*	
1.6 (BSF)		Gasolina	FWD	1595	75	102	07.03-05.10	*	
1.6 FSI (BAG)		Gasolina	FWD	1598	85	115	02.03-01.07	*	
1.6 FSI (BLF)		Gasolina	FWD	1598	85	115	02.03-01.07	*	
1.6 FSI (BLP)		Gasolina	FWD	1598	85	115	02.03-01.07	*	
2.0 FSI (AXW)		Gasolina	FWD	1984	110	150	10.03-01.07	*	
2.0 FSI (BLR)		Gasolina	FWD	1984	110	150	10.03-01.07	*	
2.0 FSI (BLX)		Gasolina	FWD	1984	110	150	10.03-01.07	*	
2.0 FSI (BLY)		Gasolina	FWD	1984	110	150	10.03-01.07	*	
2.0 FSI (BVY)		Gasolina	FWD	1984	110	150	10.03-01.07	*	
2.0 FSI (BVZ)		Gasolina	FWD	1984	110	150	10.03-01.07	*	
1.6 BiFuel (BSF)		Gasol./Gas (LPG)	FWD	1595	75	102	11.06-05.10	*	
1.9 TDI (BRU)		Diesel	FWD	1896	66	90	11.04-05.10	*	
1.9 TDI (BXF)		Diesel	FWD	1896	66	90	11.04-05.10	*	
1.9 TDI (BXJ)		Diesel	FWD	1896	66	90	11.04-05.10	*	
1.9 TDI (AVQ)		Diesel	FWD	1896	74	100	02.03-05.04	*	
1.9 TDI (BKC)		Diesel	FWD	1896	77	105	08.03-05.10	*	
1.9 TDI (BLS)		Diesel	FWD	1896	77	105	08.03-05.10	*	
1.9 TDI (BXE)		Diesel	FWD	1896	77	105	08.03-05.10	*	
2.0 TDI (AZV)		Diesel	FWD	1968	100	136	02.03-05.10	*	
2.0 TDI (BMM)		Diesel	FWD	1968	103	140	12.05-05.10	*	
2.0 TDI 16V (BKD)		Diesel	FWD	1968	103	140	08.03-05.10	*	
2.0 TDI (BMN)		Diesel	FWD	1968	125	170	12.05-05.10	*	
2.0 TDI (CFJA)		Diesel	FWD	1968	125	170	12.05-05.10	*	
1.4 TSI EcoFuel (CDGA)		CNG	FWD	1390	110	150	05.09-05.10	*	
2.0 EcoFuel (BSX)		CNG	FWD	1984	80	109	02.06-05.09	*	

LISTA DE APLICACIONES - BUYERS GUIDE

TOURAN II / GOLF TOURAN (1T3) 05.10-05.15					Furgoneta/MPV (Compact MPV-M1 Segment)			
1.2 TSI		Gasolina	FWD	1197	77	105	05.10-05.15	*
1.4 TSI		Gasolina	FWD	1390	103	140	05.10-05.15	*
1.4 TSI		Gasolina	FWD	1390	125	170	05.10-05.15	*
1.4 TSI EcoFuel		Gasol./Gas (CNG)	FWD	1390	110	150	05.10-05.15	*
1.6 TDI		Diesel	FWD	1598	66	90	05.10-05.15	*
1.6 TDI		Diesel	FWD	1598	77	105	05.10-05.15	*
2.0 TDI		Diesel	FWD	1968	103	140	05.10-05.15	*
2.0 TDI		Diesel	FWD	1968	125	170	05.10-01.13	*
TOURAN II / GOLF TOURAN (1T3) 05.10-09.16					MPV (Compact MPV-M1 Segment)			
1.2 TSI (CBZB)		Gasolina	FWD	1197	77	105	05.10-05.15	*
1.4 TSI (CAVC)		Gasolina	FWD	1390	103	140	05.10-05.15	*
1.4 TSI (CTHC)		Gasolina	FWD	1390	103	140	05.10-05.15	*
1.4 TSI (CAVB)		Gasolina	FWD	1390	125	170	05.10-05.15	*
1.4 TSI (CTHB)		Gasolina	FWD	1390	125	170	05.10-05.15	*
1.4 TSI EcoFuel (CDGA)		Gasol./Gas (CNG)	FWD	1390	110	150	05.10-05.15	*
1.6 TDI (CAYB)		Diesel	FWD	1598	66	90	05.10-05.15	*
1.6 TDI (CAYC)		Diesel	FWD	1598	77	105	05.10-05.15	*
2.0 TDI (CFHF)		Diesel	FWD	1968	81	110	11.10-05.15	*
2.0 TDI (CLCA)		Diesel	FWD	1968	81	110	11.10-05.15	*
2.0 TDI (CFHC)		Diesel	FWD	1968	103	140	05.10-05.15	*
2.0 TDI (CFJA)		Diesel	FWD	1968	125	170	05.10-01.13	*
2.0 TDI (CFJB)		Diesel	FWD	1968	130	177	01.13-05.15	*
TOURAN VAN (1T1, 1T2) 02.03-05.10					Furgoneta/MPV (Compact MPV-M1 Segment)			
FSI		Gasolina	FWD	1598	85	116	02.03-11.06	*
2.0 FSI		Gasolina	FWD	1984	110	150	05.04-01.07	*
2.0 EcoFuel		Gasol./Gas (CNG)	FWD	1984	80	109	02.06-11.06	*
1.9 TDI		Diesel	FWD	1896	66	90	11.04-05.10	*
1.9 TDI		Diesel	FWD	1896	74	101	10.03-05.05	*
1.9 TDI		Diesel	FWD	1896	77	105	08.03-11.06	*
2.0 TDI		Diesel	FWD	1968	100	136	02.03-05.10	*
2.0 TDI		Diesel	FWD	1968	103	140	12.05-05.10	*
2.0 TDI		Diesel	FWD	1968	103	140	08.03-05.10	*
VW (FAW)								
SAGITAR III (0J3, 0J4) 03.19-					Sedán (Compact car-C Segment)			
200TSi		Gasolina	FWD	1197	85	116	03.19-	*
280TSi		Gasolina	FWD	1395	110	150	03.19-	*