

LISTA DE APLICACIONES - BUYERS GUIDE

RB1567

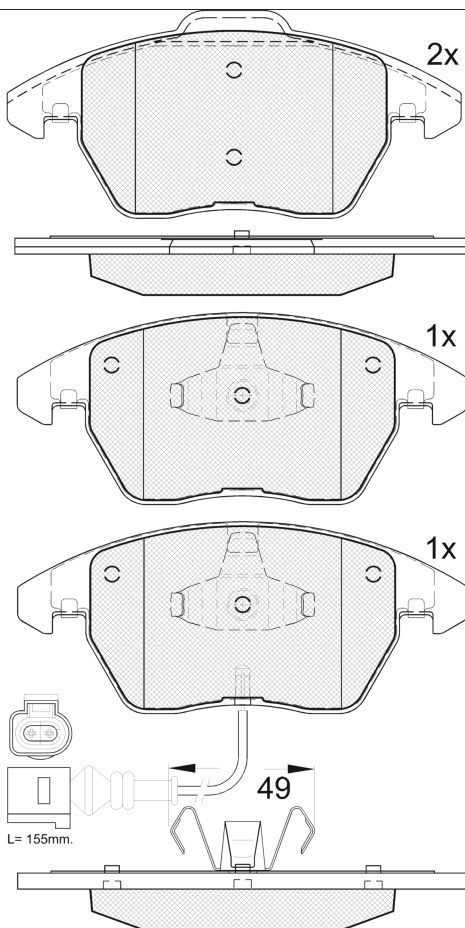


8 424073 131768

Qty: 300

Weight: 2.250

O.E.M.	MAKE
1K0 698 151	VW
1K0 698 151 E	VW
1KD 698 151 G	VW
1TD 698 151	VW
3C0 698 151	VW
3C0 698 151 B	VW
3C0 698 151 C	VW
3C0 698 151 J	VW
3C0 698 51 J	SKODA
5C0 698 151 A	AUDI
5K0 698 151	SEAT
5K0 698 151 A	VW
5K0 698 151 B	SEAT
86 60 004 758	RENAULT
86 71 016 738	RENAULT
8X0 698 151	VW
JZW 698 151 B	VW



RB1567

E 9 90R-01111/1020



Ate - Teves

155.15x66.1x20.3

156.4x71.4x20.3

WVA	FMSI
23587	D1107-8212
23588	D1107-8760
23589	
24078	

Sin Filas



Trac.	CC	Kw	CV
-------	----	----	----



Front / Rear

AUDI

A1 (8X1, 8XK) 05.10-

[CAMBIADO]:Fastback (Supermini car-B Segment)

Model	Engine	Trac.	CC	Kw	CV	Period	Notes
1.2 TFSI (CBZA)	Gasolina	FWD	1197	63	86	05.10-04.15	*
1.4 TFSI (CAXA)	Gasolina	FWD	1390	90	122	05.10-04.15	*
1.4 TFSI (CNVA)	Gasolina	FWD	1390	90	122	05.10-04.15	*
1.4 TFSI (CAVG)	Gasolina	FWD	1390	136	185	01.11-04.15	*
1.4 TFSI (CTHG)	Gasolina	FWD	1390	136	185	01.11-04.15	*
1.4 TFSI (CZCA)	Gasolina	FWD	1395	92	125	11.14-10.18	*
1.4 TFSI (CZDD)	Gasolina	FWD	1395	92	125	11.14-10.18	*
1.4 TFSI (CPTA)	Gasolina	FWD	1395	103	140	04.12-04.15	*
1.4 TSI (CZEA)	Gasolina	FWD	1395	110	150	11.14-10.18	*
1.8 TFSI (DAJB)	Gasolina	FWD	1798	141	192	02.15-10.18	*
S1 quattro (CWZA)	Gasolina	4WD	1984	170	231	03.14-10.18	*
1.4 TDI (CUSB)	Diesel	FWD	1422	66	90	11.14-10.18	*
1.6 TDI (CAYC)	Diesel	FWD	1598	77	105	05.10-04.15	*
1.6 TDI (CXMA)	Diesel	FWD	1598	85	115	11.14-10.18	*
2.0 TDI (CFHB)	Diesel	FWD	1968	100	136	05.12-04.15	*
2.0 TDI (CFHD)	Diesel	FWD	1968	105	143	09.11-04.15	*

A1 CITY CARVER (GBH) 07.19-

[CAMBIADO]:Fastback (Supermini car-B Segment)

30 TFSI (DKJA)	Gasolina	FWD	999	85	116	07.19-06.22	*
30 TFSI (DKRF)	Gasolina	FWD	999	85	116	07.19-06.22	*

A1 II Sportback (GBA) 07.18-

[CAMBIADO]:Fastback (Supermini car-B Segment)

30 TFSI (DKJA)	Gasolina	FWD	999	85	116	07.18-	*
30 TFSI (DKRF)	Gasolina	FWD	999	85	116	07.18-	*

LISTA DE APLICACIONES - BUYERS GUIDE

A1 Sportback (8XA, 8XF) 09.11-					[CAMBIADO]:Fastback (Supermini car-B Segment)			
1.4 TFSI (CAXA)	Gasolina	FWD	1390	90	122	11.11-04.15	*	
1.4 TFSI (CNVA)	Gasolina	FWD	1390	90	122	11.11-04.15	*	
1.4 TFSI (CAVG)	Gasolina	FWD	1390	136	185	11.11-04.15	*	
1.4 TFSI (CTHG)	Gasolina	FWD	1390	136	185	11.11-04.15	*	
1.4 TFSI (CZCA)	Gasolina	FWD	1395	92	125	11.14-10.18	*	
1.4 TFSI (CZDD)	Gasolina	FWD	1395	92	125	11.14-10.18	*	
1.4 TFSI (CPTA)	Gasolina	FWD	1395	103	140	04.12-04.15	*	
1.4 TSI (CZEA)	Gasolina	FWD	1395	110	150	11.14-10.18	*	
1.8 TFSI (DAJB)	Gasolina	FWD	1798	141	192	02.15-10.18	*	
S1 quattro (CWZA)	Gasolina	4WD	1984	170	231	03.14-10.18	*	
1.4 TDI (CUSB)	Diesel	FWD	1422	66	90	11.14-10.18	*	
1.6 TDI (CAYC)	Diesel	FWD	1598	77	105	11.11-04.15	*	
1.6 TDI (CXMA)	Diesel	FWD	1598	85	115	11.14-10.18	*	
2.0 TDI (CFHB)	Diesel	FWD	1968	100	136	05.12-04.15	*	
2.0 TDI (CFHD)	Diesel	FWD	1968	105	143	09.11-04.15	*	
A3 (8L1) 09.96-09.06					[CAMBIADO]:Fastback (Compact executive car-D Segment)			
1.8 T (AGU)	Gasolina	FWD	1781	110	150	12.96-05.03	*	
1.8 T (AQA)	Gasolina	FWD	1781	110	150	12.96-05.03	*	
1.8 T (ARZ)	Gasolina	FWD	1781	110	150	12.96-05.03	*	
1.8 T (AUM)	Gasolina	FWD	1781	110	150	12.96-05.03	*	
1.8 T quattro (AGU)	Gasolina	4WD	1781	110	150	12.96-05.03	*	
1.8 T quattro (AQA)	Gasolina	4WD	1781	110	150	12.96-05.03	*	
1.8 T quattro (ARX)	Gasolina	4WD	1781	110	150	12.96-05.03	*	
1.8 T (AJQ)	Gasolina	FWD	1781	132	180	12.98-05.03	*	
1.8 T (APP)	Gasolina	FWD	1781	132	180	12.98-05.03	*	
1.8 T (ARY)	Gasolina	FWD	1781	132	180	12.98-05.03	*	
1.8 T (AUQ)	Gasolina	FWD	1781	132	180	12.98-05.03	*	
1.8 T quattro (AJQ)	Gasolina	4WD	1781	132	180	10.98-05.03	*	
1.8 T quattro (ARY)	Gasolina	4WD	1781	132	180	10.98-05.03	*	
S3 quattro (BAM)	Gasolina	4WD	1781	165	224	10.01-05.03	*	
1.9 TDI (ASZ)	Diesel	FWD	1896	96	130	08.00-05.03	*	
A3 II (8P1) 05.03-12.13					[CAMBIADO]:Fastback (Compact executive car-D Segment)			
1.2 TSI (CBZB)	Gasolina	FWD	1197	77	105	04.10-08.12	*	
1.4 TFSI (CAXC)	Gasolina	FWD	1390	92	125	09.07-08.12	*	
1.4 TFSI (CMSA)	Gasolina	FWD	1390	92	125	09.07-08.12	*	
1.6 (BGU)	Gasolina	FWD	1595	75	102	05.03-08.12	*	
1.6 (BSE)	Gasolina	FWD	1595	75	102	05.03-08.12	*	
1.6 (BSF)	Gasolina	FWD	1595	75	102	05.03-08.12	*	
1.6 FSI (BAG)	Gasolina	FWD	1598	85	115	08.03-09.07	*	
1.6 FSI (BLF)	Gasolina	FWD	1598	85	115	08.03-09.07	*	
1.6 FSI (BLP)	Gasolina	FWD	1598	85	115	08.03-09.07	*	
1.8 T (BPU)	Gasolina	FWD	1781	110	150	08.06-08.12	*	
1.8 TFSI (BYT)	Gasolina	FWD	1798	118	160	11.06-08.12	*	
1.8 TFSI (BZB)	Gasolina	FWD	1798	118	160	11.06-08.12	*	
1.8 TFSI (CDAA)	Gasolina	FWD	1798	118	160	11.06-08.12	*	
1.8 TFSI quattro (CDAA)	Gasolina	4WD	1798	118	160	07.08-08.12	*	
2.0 FSI (AXW)	Gasolina	FWD	1984	110	150	05.03-06.08	*	
2.0 FSI (BLR)	Gasolina	FWD	1984	110	150	05.03-06.08	*	
2.0 FSI (BLX)	Gasolina	FWD	1984	110	150	05.03-06.08	*	

LISTA DE APLICACIONES - BUYERS GUIDE

2.0 FSI (BLY)		Gasolina	FWD	1984	110	150	05.03-06.08	*
2.0 FSI (BMB)		Gasolina	FWD	1984	110	150	05.03-06.08	*
2.0 FSI (BVY)		Gasolina	FWD	1984	110	150	05.03-06.08	*
2.0 FSI (BVZ)		Gasolina	FWD	1984	110	150	05.03-06.08	*
2.0		Gasolina	FWD	1984	120	163	06.06-08.12	*
2.0 TFSI (AXX)		Gasolina	FWD	1984	147	200	09.04-08.12	*
2.0 TFSI (BWA)		Gasolina	FWD	1984	147	200	09.04-08.12	*
2.0 TFSI (CAWB)		Gasolina	FWD	1984	147	200	09.04-08.12	*
2.0 TFSI (CCZA)		Gasolina	FWD	1984	147	200	09.04-08.12	*
2.0 TFSI quattro (AXX)		Gasolina	4WD	1984	147	200	09.04-08.12	*
2.0 TFSI quattro (BWA)		Gasolina	4WD	1984	147	200	09.04-08.12	*
2.0 TFSI quattro (CBFA)		Gasolina	4WD	1984	147	200	09.04-08.12	*
2.0 TFSI quattro (CCTA)		Gasolina	4WD	1984	147	200	09.04-08.12	*
2.0 TFSI quattro (CCZA)		Gasolina	4WD	1984	147	200	09.04-08.12	*
S3 quattro (BZC)		Gasolina	4WD	1984	188	256	02.07-08.12	*
S3 quattro (CDLC)		Gasolina	4WD	1984	188	256	02.07-08.12	*
S3 quattro (BHZ)		Gasolina	4WD	1984	195	265	11.06-08.12	*
S3 quattro (CDLA)		Gasolina	4WD	1984	195	265	11.06-08.12	*
2.0 16V		Gasolina	FWD	1995			01.06-	*
3.2 V6 quattro (BDB)		Gasolina	4WD	3189	184	250	07.03-05.09	*
3.2 V6 quattro (BMJ)		Gasolina	4WD	3189	184	250	07.03-05.09	*
3.2 V6 quattro (BUB)		Gasolina	4WD	3189	184	250	07.03-05.09	*
1.6 E-Power (CCSA)		Gasol./Etanol	FWD	1595	75	102	01.11-08.12	*
1.6 E-Power (CMXA)		Gasol./Etanol	FWD	1595	75	102	01.11-08.12	*
1.6 TDI (CAYB)		Diesel	FWD	1598	66	90	05.09-08.12	*
1.6 TDI (CAYC)		Diesel	FWD	1598	77	105	05.09-08.12	*
1.9 TDI (BKC)		Diesel	FWD	1896	77	105	05.03-05.10	*
1.9 TDI (BLS)		Diesel	FWD	1896	77	105	05.03-05.10	*
1.9 TDI (BXE)		Diesel	FWD	1896	77	105	05.03-05.10	*
2.0 TDI (AZV)		Diesel	FWD	1968	100	136	05.03-08.12	*
2.0 TDI (CBAA)		Diesel	FWD	1968	100	136	05.03-08.12	*
2.0 TDI (CFFA)		Diesel	FWD	1968	100	136	05.03-08.12	*
2.0 TDI quattro (AZV)		Diesel	4WD	1968	100	136	05.03-06.08	*
2.0 TDI (BMM)		Diesel	FWD	1968	103	140	06.05-06.08	*
2.0 TDI 16V (BKD)		Diesel	FWD	1968	103	140	05.03-08.12	*
2.0 TDI 16V (CBAB)		Diesel	FWD	1968	103	140	05.03-08.12	*
2.0 TDI 16V (CBEA)		Diesel	FWD	1968	103	140	05.03-08.12	*
2.0 TDI 16V (CFFB)		Diesel	FWD	1968	103	140	05.03-08.12	*
2.0 TDI 16V (CLJA)		Diesel	FWD	1968	103	140	05.03-08.12	*
2.0 TDI 16V quattro (BKD)		Diesel	4WD	1968	103	140	08.04-08.12	*
2.0 TDI 16V quattro (CBAB)		Diesel	4WD	1968	103	140	08.04-08.12	*
2.0 TDI 16V quattro (CFFB)		Diesel	4WD	1968	103	140	08.04-08.12	*
2.0 TDI quattro (BMM)		Diesel	4WD	1968	103	140	01.06-06.08	*
2.0 TDI (BUY)		Diesel	FWD	1968	120	163	06.06-06.08	*
2.0 TDI (BMN)		Diesel	FWD	1968	125	170	03.06-08.12	*
2.0 TDI (CBBB)		Diesel	FWD	1968	125	170	03.06-08.12	*
2.0 TDI (CFGB)		Diesel	FWD	1968	125	170	03.06-08.12	*
2.0 TDI quattro (BMN)		Diesel	4WD	1968	125	170	03.06-08.12	*
2.0 TDI quattro (CBBB)		Diesel	4WD	1968	125	170	03.06-08.12	*
2.0 TDI quattro (CFGB)		Diesel	4WD	1968	125	170	03.06-08.12	*

LISTA DE APLICACIONES - BUYERS GUIDE

A3 II (8P7) 04.08-12.13					Cabrío (Compact executive car-D Segment)			
1.2 TFSI (CBZB)	Gasolina	FWD	1197	77	105	03.10-05.13	*	
1.4 TFSI (CAXC)	Gasolina	FWD	1390	92	125	02.11-05.13	*	
1.6 (BSE)	Gasolina	FWD	1595	75	102	09.08-05.10	*	
1.8 TFSI (BZB)	Gasolina	FWD	1798	118	160	04.08-05.13	*	
1.8 TFSI (CDAA)	Gasolina	FWD	1798	118	160	04.08-05.13	*	
2.0 TFSI (CAWB)	Gasolina	FWD	1984	147	200	04.08-05.13	*	
2.0 TFSI (CCZA)	Gasolina	FWD	1984	147	200	04.08-05.13	*	
1.6 TDI (CAYC)	Diesel	FWD	1598	77	105	05.09-05.13	*	
1.9 TDI (BLS)	Diesel	FWD	1896	77	105	04.08-10.09	*	
2.0 TDI (CBAA)	Diesel	FWD	1968	100	136	04.08-05.13	*	
2.0 TDI (CFFA)	Diesel	FWD	1968	100	136	04.08-05.13	*	
2.0 TDI (CBAB)	Diesel	FWD	1968	103	140	04.08-05.13	*	
2.0 TDI (CFFB)	Diesel	FWD	1968	103	140	04.08-05.13	*	
A3 II Sportback (8PA) 09.04-12.15					[CAMBIADO]:Fastback (Compact executive car-D Segment)			
1.2 TSI (CBZB)	Gasolina	FWD	1197	77	105	04.10-03.13	*	
1.4 TFSI (CAXC)	Gasolina	FWD	1390	92	125	09.07-03.13	*	
1.4 TFSI (CMSA)	Gasolina	FWD	1390	92	125	09.07-03.13	*	
1.6 (BGU)	Gasolina	FWD	1595	75	102	09.04-03.13	*	
1.6 (BSE)	Gasolina	FWD	1595	75	102	09.04-03.13	*	
1.6 (BSF)	Gasolina	FWD	1595	75	102	09.04-03.13	*	
1.6 FSI (BLF)	Gasolina	FWD	1598	85	115	09.04-09.07	*	
1.6 FSI (BLP)	Gasolina	FWD	1598	85	115	09.04-09.07	*	
1.8 TFSI (BYT)	Gasolina	FWD	1798	118	160	11.06-03.13	*	
1.8 TFSI (BZB)	Gasolina	FWD	1798	118	160	11.06-03.13	*	
1.8 TFSI (CDAA)	Gasolina	FWD	1798	118	160	11.06-03.13	*	
1.8 TFSI quattro (CDAA)	Gasolina	4WD	1798	118	160	07.08-03.13	*	
2.0 FSI (AXW)	Gasolina	FWD	1984	110	150	09.04-06.08	*	
2.0 FSI (BLR)	Gasolina	FWD	1984	110	150	09.04-06.08	*	
2.0 FSI (BLX)	Gasolina	FWD	1984	110	150	09.04-06.08	*	
2.0 FSI (BLY)	Gasolina	FWD	1984	110	150	09.04-06.08	*	
2.0 FSI (BMB)	Gasolina	FWD	1984	110	150	09.04-06.08	*	
2.0 FSI (BVY)	Gasolina	FWD	1984	110	150	09.04-06.08	*	
2.0 FSI (BVZ)	Gasolina	FWD	1984	110	150	09.04-06.08	*	
2.0	Gasolina	FWD	1984	120	163	06.06-03.13	*	
2.0 TFSI (AXX)	Gasolina	FWD	1984	147	200	09.04-03.13	*	
2.0 TFSI (BPY)	Gasolina	FWD	1984	147	200	09.04-03.13	*	
2.0 TFSI (BWA)	Gasolina	FWD	1984	147	200	09.04-03.13	*	
2.0 TFSI (CAWB)	Gasolina	FWD	1984	147	200	09.04-03.13	*	
2.0 TFSI (CBFA)	Gasolina	FWD	1984	147	200	09.04-03.13	*	
2.0 TFSI (CCTA)	Gasolina	FWD	1984	147	200	09.04-03.13	*	
2.0 TFSI (CCZA)	Gasolina	FWD	1984	147	200	09.04-03.13	*	
2.0 TFSI quattro (AXX)	Gasolina	4WD	1984	147	200	09.04-03.13	*	
2.0 TFSI quattro (BPY)	Gasolina	4WD	1984	147	200	09.04-03.13	*	
2.0 TFSI quattro (BWA)	Gasolina	4WD	1984	147	200	09.04-03.13	*	
2.0 TFSI quattro (CBFA)	Gasolina	4WD	1984	147	200	09.04-03.13	*	
2.0 TFSI quattro (CCTA)	Gasolina	4WD	1984	147	200	09.04-03.13	*	
2.0 TFSI quattro (CCZA)	Gasolina	4WD	1984	147	200	09.04-03.13	*	
S3 quattro (CDLC)	Gasolina	4WD	1984	188	256	07.08-03.13	*	
S3 quattro (BHZ)	Gasolina	4WD	1984	195	265	06.08-03.13	*	

LISTA DE APLICACIONES - BUYERS GUIDE

S3 quattro (CDLA)		Gasolina	4WD	1984	195	265	06.08-03.13	*
3.2 V6 quattro (BDB)		Gasolina	4WD	3189	184	250	09.04-05.09	*
3.2 V6 quattro (BMJ)		Gasolina	4WD	3189	184	250	09.04-05.09	*
3.2 V6 quattro (BUB)		Gasolina	4WD	3189	184	250	09.04-05.09	*
1.6 E-Power (CCSA)		Gasol./Etanol	FWD	1595	75	102	01.11-03.13	*
1.6 E-Power (CMXA)		Gasol./Etanol	FWD	1595	75	102	01.11-03.13	*
1.6 TDI (CAYB)		Diesel	FWD	1598	66	90	05.09-03.13	*
1.6 TDI (CAYC)		Diesel	FWD	1598	77	105	05.09-03.13	*
1.9 TDI (BKC)		Diesel	FWD	1896	77	105	09.04-05.10	*
1.9 TDI (BLS)		Diesel	FWD	1896	77	105	09.04-05.10	*
1.9 TDI (BXE)		Diesel	FWD	1896	77	105	09.04-05.10	*
2.0 TDI (AZV)		Diesel	FWD	1968	100	136	09.04-03.13	*
2.0 TDI (CBAA)		Diesel	FWD	1968	100	136	09.04-03.13	*
2.0 TDI (CFFA)		Diesel	FWD	1968	100	136	09.04-03.13	*
2.0 TDI (BMM)		Diesel	FWD	1968	103	140	06.05-06.08	*
2.0 TDI 16V (BKD)		Diesel	FWD	1968	103	140	09.04-03.13	*
2.0 TDI 16V (CBAB)		Diesel	FWD	1968	103	140	09.04-03.13	*
2.0 TDI 16V (CBEA)		Diesel	FWD	1968	103	140	09.04-03.13	*
2.0 TDI 16V (CFFB)		Diesel	FWD	1968	103	140	09.04-03.13	*
2.0 TDI 16V (CLJA)		Diesel	FWD	1968	103	140	09.04-03.13	*
2.0 TDI 16V quattro (BKD)		Diesel	4WD	1968	103	140	11.05-03.13	*
2.0 TDI 16V quattro (CBAB)		Diesel	4WD	1968	103	140	11.05-03.13	*
2.0 TDI 16V quattro (CFFB)		Diesel	4WD	1968	103	140	11.05-03.13	*
2.0 TDI quattro (BMM)		Diesel	4WD	1968	103	140	01.06-06.08	*
2.0 TDI (BUY)		Diesel	FWD	1968	120	163	06.06-06.08	*
2.0 TDI (BMN)		Diesel	FWD	1968	125	170	03.06-03.13	*
2.0 TDI (CBBB)		Diesel	FWD	1968	125	170	03.06-03.13	*
2.0 TDI (CFGB)		Diesel	FWD	1968	125	170	03.06-03.13	*
2.0 TDI quattro (BMN)		Diesel	4WD	1968	125	170	03.06-03.13	*
2.0 TDI quattro (CBBB)		Diesel	4WD	1968	125	170	03.06-03.13	*
2.0 TDI quattro (CFGB)		Diesel	4WD	1968	125	170	03.06-03.13	*
TT II (8J9) 03.07-09.14				Cabrío (Sports car-S Segment)				
1.8 TFSI (CDAA)		Gasolina	FWD	1798	118	160	06.08-06.14	*
2.0 TFSI (BPY)		Gasolina	FWD	1984	147	200	03.07-06.10	*
2.0 TFSI (BWA)		Gasolina	FWD	1984	147	200	03.07-06.10	*
2.0 TFSI (CCTA)		Gasolina	FWD	1984	147	200	03.07-06.10	*
2.0 TFSI quattro (CCTA)		Gasolina	4WD	1984	147	200	06.08-06.10	*
2.0 TFSI quattro (CCZA)		Gasolina	4WD	1984	147	200	06.08-06.10	*
2.0 TDI quattro (CBBB)		Diesel	4WD	1968	125	170	06.08-06.14	*
2.0 TDI quattro (CFGB)		Diesel	4WD	1968	125	170	06.08-06.14	*
TT II (8J3) 07.06-02.15				Coupé (Sports car-S Segment)				
1.8 TFSI (CDAA)		Gasolina	FWD	1798	118	160	06.08-06.14	*
2.0 TFSI (BPY)		Gasolina	FWD	1984	147	200	08.06-06.10	*
2.0 TFSI (BWA)		Gasolina	FWD	1984	147	200	08.06-06.10	*
2.0 TFSI (CCTA)		Gasolina	FWD	1984	147	200	08.06-06.10	*
2.0 TFSI quattro (CCTA)		Gasolina	4WD	1984	147	200	06.08-06.10	*
2.0 TFSI quattro (CCZA)		Gasolina	4WD	1984	147	200	06.08-06.10	*
2.0 TDI quattro (CBBB)		Diesel	4WD	1968	125	170	06.08-06.14	*
2.0 TDI quattro (CFGB)		Diesel	4WD	1968	125	170	06.08-06.14	*

SEAT

LISTA DE APLICACIONES - BUYERS GUIDE

ALTEA (5P1) 03.04-					MPV (Compact MPV-M1 Segment)			
1.2 TSI (CBZB)		Gasolina	FWD	1197	77	105	04.10-07.15	*
1.4 16V (BXW)		Gasolina	FWD	1390	63	86	05.06-05.11	*
1.4 16V (CGGB)		Gasolina	FWD	1390	63	86	05.06-05.11	*
1.4 TSI (CAXC)		Gasolina	FWD	1390	92	125	11.07-07.15	*
1.6 (BGU)		Gasolina	FWD	1595	75	102	03.04-03.10	*
1.6 (BSE)		Gasolina	FWD	1595	75	102	03.04-03.10	*
1.6 (BSF)		Gasolina	FWD	1595	75	102	03.04-03.10	*
1.6 (CCSA)		Gasolina	FWD	1595	75	102	03.04-03.10	*
1.8 TFSI (BYT)		Gasolina	FWD	1798	118	160	01.07-07.15	*
1.8 TFSI (BZB)		Gasolina	FWD	1798	118	160	01.07-07.15	*
1.8 TFSI (CDAA)		Gasolina	FWD	1798	118	160	01.07-07.15	*
2.0 FSI (BLR)		Gasolina	FWD	1984	110	150	05.04-03.09	*
2.0 FSI (BLY)		Gasolina	FWD	1984	110	150	05.04-03.09	*
2.0 FSI (BVY)		Gasolina	FWD	1984	110	150	05.04-03.09	*
2.0 FSI (BVZ)		Gasolina	FWD	1984	110	150	05.04-03.09	*
2.0 TFSI (BWA)		Gasolina	FWD	1984	147	200	04.06-05.09	*
1.6 LPG (CHGA)		Gasol./Gas (LPG)	FWD	1595	75	102	09.09-06.13	*
1.6 MultiFuel (CMXA)		Gasol./Etanol	FWD	1595	75	102	11.10-05.11	*
1.6 TDI (CAYB)		Diesel	FWD	1598	66	90	11.10-07.15	*
1.6 TDI (CAYC)		Diesel	FWD	1598	77	105	10.09-07.15	*
1.9 TDI (BXF)		Diesel	FWD	1896	66	90	08.09-12.10	*
1.9 TDI (BJB)		Diesel	FWD	1896	77	105	04.04-12.10	*
1.9 TDI (BKC)		Diesel	FWD	1896	77	105	04.04-12.10	*
1.9 TDI (BLS)		Diesel	FWD	1896	77	105	04.04-12.10	*
1.9 TDI (BXE)		Diesel	FWD	1896	77	105	04.04-12.10	*
2.0 TDI (AZV)		Diesel	FWD	1968	100	136	03.04-05.09	*
2.0 TDI (BMM)		Diesel	FWD	1968	103	140	11.05-11.10	*
2.0 TDI 16V (BKD)		Diesel	FWD	1968	103	140	03.04-07.15	*
2.0 TDI 16V (CFHC)		Diesel	FWD	1968	103	140	03.04-07.15	*
2.0 TDI 16V 4WD (CFHC)		Diesel	4WD	1968	103	140	10.10-	*
2.0 TDI (BMN)		Diesel	FWD	1968	125	170	03.06-05.10	*
2.0 TDI (CEGA)		Diesel	FWD	1968	125	170	03.06-05.10	*
ALTEA XL (5P5, 5P8) 10.06-					MPV (Compact MPV-M1 Segment)			
1.2 TSI (CBZB)		Gasolina	FWD	1197	77	105	04.10-07.15	*
1.4 16V (BXW)		Gasolina	FWD	1390	63	86	10.06-06.13	*
1.4 16V (CGGB)		Gasolina	FWD	1390	63	86	10.06-06.13	*
1.4 TSI (CAXC)		Gasolina	FWD	1390	92	125	11.07-07.15	*
1.6 (BGU)		Gasolina	FWD	1595	75	102	10.06-11.10	*
1.6 (BSE)		Gasolina	FWD	1595	75	102	10.06-11.10	*
1.6 (BSF)		Gasolina	FWD	1595	75	102	10.06-11.10	*
1.6 (CCSA)		Gasolina	FWD	1595	75	102	10.06-11.10	*
1.8 TFSI (BYT)		Gasolina	FWD	1798	118	160	01.07-07.15	*
1.8 TFSI (BZB)		Gasolina	FWD	1798	118	160	01.07-07.15	*
1.8 TFSI (CDAA)		Gasolina	FWD	1798	118	160	01.07-07.15	*
2.0 FSI (BVY)		Gasolina	FWD	1984	110	150	10.06-03.09	*
2.0 FSI (BVZ)		Gasolina	FWD	1984	110	150	10.06-03.09	*
2.0 TFSI (BWA)		Gasolina	FWD	1984	147	200	10.06-05.09	*
2.0 TFSI 4x4 (BWA)		Gasolina	4WD	1984	147	200	06.07-05.09	*
2.0 TFSI		Gasolina	FWD	1984	155	211	05.09-07.15	*

LISTA DE APLICACIONES - BUYERS GUIDE

2.0 TFSI 4x4 (CCZB)		Gasolina	4WD	1984	155	211	05.09-07.15	*	
1.6 LPG (CHGA)		Gasol./Gas (LPG)	FWD	1595	75	102	09.09-06.13	*	
1.6 MultiFuel (BSE)		Gasol./Etanol	FWD	1595	75	102	10.06-11.10	*	
1.6 MultiFuel (BSF)		Gasol./Etanol	FWD	1595	75	102	10.06-11.10	*	
1.6 MultiFuel (CCSA)		Gasol./Etanol	FWD	1595	75	102	10.06-11.10	*	
1.6 MultiFuel (CMXA)		Gasol./Etanol	FWD	1595	75	102	10.06-11.10	*	
1.6 TDI (CAYB)		Diesel	FWD	1598	66	90	11.10-07.15	*	
1.6 TDI (CAYC)		Diesel	FWD	1598	77	105	10.09-07.15	*	
1.9 TDI (BXF)		Diesel	FWD	1896	66	90	08.09-12.10	*	
1.9 TDI (BKC)		Diesel	FWD	1896	77	105	10.06-12.10	*	
1.9 TDI (BLS)		Diesel	FWD	1896	77	105	10.06-12.10	*	
1.9 TDI (BXE)		Diesel	FWD	1896	77	105	10.06-12.10	*	
1.9 TDI 4x4 (BLS)		Diesel	4WD	1896	77	105	06.09-12.10	*	
2.0 TDI (AZV)		Diesel	FWD	1968	100	136	11.06-03.09	*	
2.0 TDI (BMM)		Diesel	FWD	1968	103	140	10.06-11.10	*	
2.0 TDI 16V (BKD)		Diesel	FWD	1968	103	140	10.06-07.15	*	
2.0 TDI 16V (CFHC)		Diesel	FWD	1968	103	140	10.06-07.15	*	
2.0 TDI 16V 4x4 (CFHC)		Diesel	4WD	1968	103	140	10.10-07.15	*	
2.0 TDI 4x4 (BMM)		Diesel	4WD	1968	103	140	06.07-11.10	*	
2.0 TDI (BMN)		Diesel	FWD	1968	125	170	06.07-12.13	*	
2.0 TDI (CEGA)		Diesel	FWD	1968	125	170	06.07-12.13	*	
2.0 TDI 4x4 (BMN)		Diesel	4WD	1968	125	170	06.07-06.13	*	
2.0 TDI 4x4 (CEGA)		Diesel	4WD	1968	125	170	06.07-06.13	*	
2.0 TDI 4x4 (CFJA)		Diesel	4WD	1968	125	170	06.07-06.13	*	
IBIZA IV (6J5, 6P1) 03.08-					[CAMBIADO]:Fastback (Supermini car-B Segment)				
1.0 TSI (CHZC)		Gasolina	FWD	999	81	110	05.15-06.17	*	
1.2 TSI (CJZD)		Gasolina	FWD	1197	81	110	09.15-06.17	*	
1.4 TSI (CAVF)		Gasolina	FWD	1390	110	150	06.09-05.15	*	
1.4 TSI (CNUB)		Gasolina	FWD	1390	110	150	06.09-05.15	*	
1.4 TSI (CTHF)		Gasolina	FWD	1390	110	150	06.09-05.15	*	
1.4 TSI (CTJB)		Gasolina	FWD	1390	110	150	06.09-05.15	*	
1.4 TSI (CPTA)		Gasolina	FWD	1395	103	140	10.13-05.15	*	
1.4 TSI (CZEA)		Gasolina	FWD	1395	110	150	11.15-06.17	*	
1.6 (BTS)		Gasolina	FWD	1598	77	105	05.08-03.12	*	
1.6 (CWVA)		Gasolina	FWD	1598	81	110	07.15-06.17	*	
2.0 (CEKA)		Gasolina	FWD	1984	85	115	10.08-05.15	*	
1.4 TDI (CUTA)		Diesel	FWD	1422	77	105	05.15-06.17	*	
1.4 TDI (CYZA)		Diesel	FWD	1422	77	105	05.15-06.17	*	
1.6 TDI (CAYC)		Diesel	FWD	1598	77	105	05.09-05.15	*	
1.6 TDI (CLNA)		Diesel	FWD	1598	77	105	05.09-05.15	*	
1.9 TDI (BLS)		Diesel	FWD	1896	77	105	03.08-06.10	*	
2.0 TDI (CFHD)		Diesel	FWD	1968	105	143	01.10-05.15	*	
IBIZA IV (6J1) 04.08-					Furgón/hatchback (Supermini car-B Segment)				
1.2 (CGPA)		Gasolina	FWD	1198	51	69	04.08-05.15	*	
1.6 TDI (CAYB)		Diesel	FWD	1598	66	90	05.09-05.15	*	
IBIZA IV SC (6J1, 6P5) 06.08-12.18					[CAMBIADO]:Fastback (Supermini car-B Segment)				
1.0 TSI (CHZC)		Gasolina	FWD	999	81	110	05.15-12.16	*	

LISTA DE APLICACIONES - BUYERS GUIDE

1.2 TSI (CBZA)		Gasolina	FWD	1197	63	86	08.12-05.15	*
1.2 TSI (CBZB)		Gasolina	FWD	1197	77	105	09.10-05.15	*
1.2 TSI (CJZD)		Gasolina	FWD	1197	81	110	09.15-12.16	*
1.2 (CGPB)		Gasolina	FWD	1198	44	60	07.09-05.15	*
1.2 (BZG)		Gasolina	FWD	1198	51	70	07.08-05.15	*
1.2 (CGPA)		Gasolina	FWD	1198	51	70	07.08-05.15	*
1.4 (BXW)		Gasolina	FWD	1390	63	85	07.08-05.15	*
1.4 (CGGB)		Gasolina	FWD	1390	63	85	07.08-05.15	*
1.4 TSI (CAVF)		Gasolina	FWD	1390	110	150	01.09-05.15	*
1.4 TSI (CNUB)		Gasolina	FWD	1390	110	150	01.09-05.15	*
1.4 TSI (CTHF)		Gasolina	FWD	1390	110	150	01.09-05.15	*
1.4 TSI (CTJB)		Gasolina	FWD	1390	110	150	01.09-05.15	*
1.4 TSI Cupra (CAVE)		Gasolina	FWD	1390	132	180	06.09-05.15	*
1.4 TSI Cupra (CTHE)		Gasolina	FWD	1390	132	180	06.09-05.15	*
1.4 TSI Cupra (CTJC)		Gasolina	FWD	1390	132	180	06.09-05.15	*
1.4 TSI (CPTA)		Gasolina	FWD	1395	103	140	10.13-05.15	*
1.4 TSI (CZEA)		Gasolina	FWD	1395	110	150	11.15-12.16	*
1.6 (BTS)		Gasolina	FWD	1598	77	105	07.08-05.15	*
1.6 (CWVA)		Gasolina	FWD	1598	81	110	07.15-12.16	*
1.8 TSI Cupra (DAJA)		Gasolina	FWD	1798	141	192	11.15-12.16	*
2.0 (CEKA)		Gasolina	FWD	1984	85	115	10.08-05.15	*
1.4 LPG		Gasol./Gas (LPG)	FWD	1390	63	85	07.08-05.11	*
1.6 LPG (CNKA)		Gasol./Gas (LPG)	FWD	1598	60	81	05.11-05.15	*
1.2 TDI (CFWA)		Diesel	FWD	1199	55	75	05.10-05.15	*
1.4 TDI (BMS)		Diesel	FWD	1422	59	80	07.08-06.10	*
1.4 TDI (CUTA)		Diesel	FWD	1422	77	105	05.15-12.16	*
1.4 TDI (CYZA)		Diesel	FWD	1422	77	105	05.15-12.16	*
1.6 TDI (CAYB)		Diesel	FWD	1598	66	90	05.09-05.15	*
1.6 TDI (CAYC)		Diesel	FWD	1598	77	105	05.09-05.15	*
1.9 TDI (BXJ)		Diesel	FWD	1896	66	90	06.08-06.10	*
1.9 TDI (BLS)		Diesel	FWD	1896	77	105	07.08-06.10	*
2.0 TDI (CFHD)		Diesel	FWD	1968	105	143	01.10-05.15	*
IBIZA IV ST (6J8, 6P8) 03.10-							[CAMBIADO]:Break (Supermini car-B Segment)	
1.0 TSI (CHZC)		Gasolina	FWD	999	81	110	05.15-07.16	*
1.2 TSI (CJZD)		Gasolina	FWD	1197	81	110	09.15-07.16	*
1.4 TSI (CAVF)		Gasolina	FWD	1390	110	150	02.12-05.15	*
1.4 TSI (CNUB)		Gasolina	FWD	1390	110	150	02.12-05.15	*
1.4 TSI (CTHF)		Gasolina	FWD	1390	110	150	02.12-05.15	*
1.4 TSI (CTJB)		Gasolina	FWD	1390	110	150	02.12-05.15	*
1.4 TSI (CPTA)		Gasolina	FWD	1395	103	140	10.13-05.15	*
1.4 TSI (CZEA)		Gasolina	FWD	1395	110	150	11.15-07.16	*
1.6		Gasolina	FWD	1598	77	105	02.12-	*
1.6 (BTS)		Gasolina	FWD	1598	77	105	02.12-05.15	*
1.4 TDI (CUTA)		Diesel	FWD	1422	77	105	05.15-07.16	*
1.4 TDI (CYZA)		Diesel	FWD	1422	77	105	05.15-07.16	*
1.6 TDI (CAYC)		Diesel	FWD	1598	77	105	03.10-05.15	*
1.6 TDI (CLNA)		Diesel	FWD	1598	77	105	03.10-05.15	*
IBIZA V (KJ1, KJG) 01.17-							[CAMBIADO]:Fastback (Supermini car-B Segment)	
1.0 MPi (CHYC)		Gasolina	FWD	999	48	65	07.17-	*

LISTA DE APLICACIONES - BUYERS GUIDE

1.0 MPi (DFNB)		Gasolina	FWD	999	48	65	07.17-	*
1.0 MPi (CHYB)		Gasolina	FWD	999	55	75	01.17-	*
1.0 TSI (CHZL)		Gasolina	FWD	999	70	95	01.17-	*
1.0 TSI (DKLA)		Gasolina	FWD	999	70	95	01.17-	*
1.0 TSI (DLAA)		Gasolina	FWD	999	81	110	06.20-	*
1.0 TSI (CHZJ)		Gasolina	FWD	999	85	116	01.17-	*
1.0 TSI (DKJA)		Gasolina	FWD	999	85	116	01.17-	*
1.0 TSI (DKRF)		Gasolina	FWD	999	85	116	01.17-	*
1.5 TSI (DADA)		Gasolina	FWD	1498	110	150	07.17-	*
1.6 SRE (CWVA)		Gasolina	FWD	1598	81	110	05.17-	*
1.0 TGI (DBYA)		Gasol./Gas (CNG)	FWD	999	66	90	11.17-	*
1.6 TDI (DGTC)		Diesel	FWD	1598	59	80	11.17-	*
1.6 TDI (DGTD)		Diesel	FWD	1598	70	95	09.17-	*
1.6 TDI (DGTA)		Diesel	FWD	1598	85	115	12.17-	*
LEON II (1P1) 05.05-12.13					[CAMBIADO]:Fastback (Compact car-C Segment)			
1.2 TSI (CBZB)		Gasolina	FWD	1197	77	105	02.10-12.12	*
1.4 TSI (CAXC)		Gasolina	FWD	1390	92	125	11.07-12.12	*
1.6 (BSE)		Gasolina	FWD	1595	75	102	07.05-12.12	*
1.6 (BSF)		Gasolina	FWD	1595	75	102	07.05-12.12	*
1.6 (CCSA)		Gasolina	FWD	1595	75	102	07.05-12.12	*
1.8 TSI (BZB)		Gasolina	FWD	1798	118	160	06.07-12.12	*
1.8 TSI (CDAA)		Gasolina	FWD	1798	118	160	06.07-12.12	*
2.0 FSI (BLR)		Gasolina	FWD	1984	110	150	07.05-05.10	*
2.0 FSI (BLY)		Gasolina	FWD	1984	110	150	07.05-05.10	*
2.0 FSI (BVY)		Gasolina	FWD	1984	110	150	07.05-05.10	*
2.0 FSI (BVZ)		Gasolina	FWD	1984	110	150	07.05-05.10	*
2.0 TFSI (BWA1)		Gasolina	FWD	1984	136	185	09.05-05.06	*
2.0 TFSI (BWA)		Gasolina	FWD	1984	147	200	05.05-03.09	*
2.0 TFSI (CCZB)		Gasolina	FWD	1984	155	211	06.09-12.12	*
2.0 TFSI (BWJ)		Gasolina	FWD	1984	177	240	11.06-05.11	*
2.0 TFSI (CDLD)		Gasolina	FWD	1984	177	240	11.06-05.11	*
2.0 Cupra R (CDLA)		Gasolina	FWD	1984	195	265	09.09-12.12	*
1.6 LPG (CHGA)		Gasol./Gas (LPG)	FWD	1595	75	102	12.09-12.12	*
1.6 MultiFuel (BSE)		Gasol./Etanol	FWD	1595	75	102	07.05-08.13	*
1.6 MultiFuel (CCSA)		Gasol./Etanol	FWD	1595	75	102	07.05-08.13	*
1.6 MultiFuel (CMXA)		Gasol./Etanol	FWD	1595	75	102	07.05-08.13	*
2.0 TDI (AZV)		Diesel	FWD	1968	100	136	07.05-05.10	*
2.0 TDI (BMM)		Diesel	FWD	1968	103	140	10.05-10.10	*
2.0 TDI 16V (BKD)		Diesel	FWD	1968	103	140	07.05-12.12	*
2.0 TDI 16V (CFHC)		Diesel	FWD	1968	103	140	07.05-12.12	*
2.0 TDI 16V (CLCB)		Diesel	FWD	1968	103	140	07.05-12.12	*
2.0 TDI (BMN)		Diesel	FWD	1968	125	170	05.06-12.12	*
2.0 TDI (CEGA)		Diesel	FWD	1968	125	170	05.06-12.12	*
2.0 TDI (CFJA)		Diesel	FWD	1968	125	170	05.06-12.12	*
Mii (KF1, KE1) 10.11-					[CAMBIADO]:Fastback (City car-A Segment)			
1.0 (CHYA)		Gasolina	FWD	999	44	60	10.11-07.19	*
1.0 (CHYB)		Gasolina	FWD	999	55	75	10.11-07.19	*

LISTA DE APLICACIONES - BUYERS GUIDE

1.0 EcoFuel (CPGA)		Gasol./Gas (CNG)	FWD	999	50	68	10.12-07.19	*	
TOLEDO II (1M2) 10.98-05.06					Sedán (Compact car-C Segment)				
1.6		Gasolina	FWD	1595	75	102	08.05-05.06	*	
1.9 TDI (AXR)		Diesel	FWD	1896	74	101	08.05-05.06	*	
TOLEDO III (5P2) 04.04-05.09					MPV (Large MPV-M1 Segment)				
1.6 (BGU)		Gasolina	FWD	1595	75	102	10.04-05.09	*	
1.6 (BSE)		Gasolina	FWD	1595	75	102	10.04-05.09	*	
1.6 (BSF)		Gasolina	FWD	1595	75	102	10.04-05.09	*	
1.6 (CCSA)		Gasolina	FWD	1595	75	102	10.04-05.09	*	
1.8 TFSI (BYT)		Gasolina	FWD	1798	118	160	01.07-05.09	*	
1.8 TFSI (BZB)		Gasolina	FWD	1798	118	160	01.07-05.09	*	
1.8 TFSI (CDAA)		Gasolina	FWD	1798	118	160	01.07-05.09	*	
2.0 FSI (BLR)		Gasolina	FWD	1984	110	150	10.04-05.09	*	
2.0 FSI (BLY)		Gasolina	FWD	1984	110	150	10.04-05.09	*	
2.0 FSI (BVY)		Gasolina	FWD	1984	110	150	10.04-05.09	*	
2.0 FSI (BVZ)		Gasolina	FWD	1984	110	150	10.04-05.09	*	
2.0 TFSI (BWA)		Gasolina	FWD	1984	147	200	11.05-05.09	*	
1.9 TDI (BJB)		Diesel	FWD	1896	77	105	10.04-05.09	*	
1.9 TDI (BKC)		Diesel	FWD	1896	77	105	10.04-05.09	*	
1.9 TDI (BLS)		Diesel	FWD	1896	77	105	10.04-05.09	*	
1.9 TDI (BXE)		Diesel	FWD	1896	77	105	10.04-05.09	*	
2.0 TDI (AZV)		Diesel	FWD	1968	100	136	09.04-05.09	*	
2.0 TDI (BMM)		Diesel	FWD	1968	103	140	11.05-05.09	*	
2.0 TDI 16V (BKD)		Diesel	FWD	1968	103	140	04.04-05.09	*	
2.0 TDI (BMN)		Diesel	FWD	1968	125	170	01.06-05.09	*	
2.0 TDI (CEGA)		Diesel	FWD	1968	125	170	01.06-05.09	*	
TOLEDO IV (KG3) 07.12-					[CAMBIADO]:Fastback (Compact car-C Segment)				
1.0 TSI (CHZB)		Gasolina	FWD	999	70	95	05.17-04.19	*	
1.0 TSI (DKLD)		Gasolina	FWD	999	70	95	05.17-04.19	*	
1.0 TSI (CHZC)		Gasolina	FWD	999	81	110	05.17-04.19	*	
1.0 TSI (DKRC)		Gasolina	FWD	999	81	110	05.17-04.19	*	
1.2 TSI (CBZA)		Gasolina	FWD	1197	63	86	07.12-06.15	*	
1.2 TSI (CJZC)		Gasolina	FWD	1197	66	90	05.15-05.17	*	
1.2 TSI (CBZB)		Gasolina	FWD	1197	77	105	07.12-06.15	*	
1.2 TSI (CJZD)		Gasolina	FWD	1197	81	110	05.15-05.17	*	
1.2 (CGPC)		Gasolina	FWD	1198	55	75	07.12-06.15	*	
1.4 TSI (CAXA)		Gasolina	FWD	1390	90	122	07.12-06.15	*	
1.4 TSI (CZCA)		Gasolina	FWD	1395	92	125	05.15-04.19	*	
1.6 (CFNA)		Gasolina	FWD	1598	77	105	07.13-06.15	*	
1.6 (CWVA)		Gasolina	FWD	1598	81	110	05.15-04.19	*	
1.4 TDI (CUSB)		Diesel	FWD	1422	66	90	05.15-04.19	*	
1.6 TDI (CAYB)		Diesel	FWD	1598	66	90	06.13-06.15	*	
1.6 TDI (CAYC)		Diesel	FWD	1598	77	105	07.12-06.15	*	
1.6 TDI (CLNA)		Diesel	FWD	1598	77	105	07.12-06.15	*	
1.6 TDI (CXMA)		Diesel	FWD	1598	85	115	05.15-04.19	*	
SKODA									
(NJ5) 08.14-					[CAMBIADO]:Furgón/Break ()				
1.2 TSI		Gasolina	FWD	1197	81	110	10.14-12.22	*	
1.4 TDI		Diesel	FWD	1422	77	105	10.14-12.22	*	

LISTA DE APLICACIONES - BUYERS GUIDE

FABIA II (542) 12.06-12.14					[CAMBIADO]:Fastback (Compact car-C Segment)			
1.2 TSI (CBZB)		Gasolina	FWD	1197	77	105	03.10-12.14	*
1.4 TSI RS (CAVE)		Gasolina	FWD	1390	132	180	05.10-12.14	*
1.4 TSI RS (CTHE)		Gasolina	FWD	1390	132	180	05.10-12.14	*
1.2 TDI (CFWA)		Diesel	FWD	1199	55	75	05.10-12.14	*
1.6 TDI (CAYC)		Diesel	FWD	1598	77	105	03.10-12.14	*
FABIA II Combi (545) 10.07-12.14					[CAMBIADO]:Break (Compact car-C Segment)			
1.2 TSI (CBZB)		Gasolina	FWD	1197	77	105	03.10-12.14	*
1.4 TSI RS (CAVE)		Gasolina	FWD	1390	132	180	05.10-12.14	*
1.4 TSI RS (CTHE)		Gasolina	FWD	1390	132	180	05.10-12.14	*
1.2 TDI (CFWA)		Diesel	FWD	1199	55	75	05.10-12.14	*
1.6 TDI (CAYC)		Diesel	FWD	1598	77	105	03.10-12.14	*
FABIA III (NJ5) 08.14-					[CAMBIADO]:Break (Compact car-C Segment)			
1.0 (CHYA)		Gasolina	FWD	999	44	60	10.14-12.22	*
1.0 (CHYE)		Gasolina	FWD	999	44	60	10.14-12.22	*
1.0 (CHYB)		Gasolina	FWD	999	55	75	10.14-12.22	*
1.0 TSI (CHZB)		Gasolina	FWD	999	70	95	08.14-12.22	*
1.0 TSI (DKLD)		Gasolina	FWD	999	70	95	08.14-12.22	*
1.0 TSI (CHZC)		Gasolina	FWD	999	81	110	08.14-12.22	*
1.0 TSI (DKRC)		Gasolina	FWD	999	81	110	08.14-12.22	*
1.2 TSI (CJZC)		Gasolina	FWD	1197	66	90	10.14-12.22	*
1.2 TSI (CJZD)		Gasolina	FWD	1197	81	110	10.14-12.22	*
1.6 (CWVA)		Gasolina	FWD	1598	81	110	01.15-12.22	*
1.4 TDI (CUSA)		Diesel	FWD	1422	55	75	05.15-12.22	*
1.4 TDI (CUSB)		Diesel	FWD	1422	66	90	10.14-12.22	*
1.4 TDI (CUTA)		Diesel	FWD	1422	77	105	10.14-12.22	*
FABIA III (NJ3) 08.14-					[CAMBIADO]:Fastback (Compact car-C Segment)			
1.0 (CHYA)		Gasolina	FWD	999	44	60	08.14-06.21	*
1.0 (CHYE)		Gasolina	FWD	999	44	60	08.14-06.21	*
1.0 (CHYB)		Gasolina	FWD	999	55	75	08.14-06.21	*
1.0 TSI (CHZB)		Gasolina	FWD	999	70	95	08.14-06.21	*
1.0 TSI (DKLD)		Gasolina	FWD	999	70	95	08.14-06.21	*
1.0 TSI (CHZC)		Gasolina	FWD	999	81	110	08.14-06.21	*
1.0 TSI (DKRC)		Gasolina	FWD	999	81	110	08.14-06.21	*
1.2 TSI (CJZC)		Gasolina	FWD	1197	66	90	08.14-06.21	*
1.2 TSI (CJZD)		Gasolina	FWD	1197	81	110	08.14-06.21	*
1.4 TSI R5 (CZCA)		Gasolina	FWD	1395	92	125	02.18-06.21	*
1.6 (CWVA)		Gasolina	FWD	1598	81	110	01.15-06.21	*
1.4 TDI (CUSA)		Diesel	FWD	1422	55	75	05.15-06.21	*
1.4 TDI (CUSB)		Diesel	FWD	1422	66	90	08.14-06.21	*
1.4 TDI (CUTA)		Diesel	FWD	1422	77	105	08.14-06.21	*
OCTAVIA II / LAURA (1Z3) 02.04-06.13					[CAMBIADO]:Fastback (Compact car-C Segment)			
1.2 TSI (CBZB)		Gasolina	FWD	1197	77	105	02.10-06.13	*
1.4 TSI (CAXA)		Gasolina	FWD	1390	90	122	11.08-06.13	*
1.6 FSI (BLF)		Gasolina	FWD	1598	85	115	02.04-10.08	*
1.8 T		Gasolina	FWD	1781	110	150	09.05-12.08	*
1.8 TSI (CDAB)		Gasolina	FWD	1798	112	152	03.09-06.13	*
1.8 TSI (BZB)		Gasolina	FWD	1798	118	160	06.07-04.13	*

LISTA DE APLICACIONES - BUYERS GUIDE

1.8 TSI (CDA)		Gasolina	FWD	1798	118	160	06.07-04.13	*
2.0 FSI (BLR)		Gasolina	FWD	1984	110	150	11.04-10.08	*
2.0 FSI (BLY)		Gasolina	FWD	1984	110	150	11.04-10.08	*
2.0 FSI (BVY)		Gasolina	FWD	1984	110	150	11.04-10.08	*
2.0 FSI (BVZ)		Gasolina	FWD	1984	110	150	11.04-10.08	*
2.0 TFSI (BWA)		Gasolina	FWD	1984	147	200	10.05-02.13	*
2.0 TFSI (CCZA)		Gasolina	FWD	1984	147	200	10.05-02.13	*
1.6 LPG (BSE)		Gasol./Gas (LPG)	FWD	1595	75	102	08.09-11.12	*
1.6 LPG (CHGA)		Gasol./Gas (LPG)	FWD	1595	75	102	08.09-11.12	*
1.6 MultiFuel (CCSA)		Gasol./Etanol	FWD	1595	75	102	01.08-06.13	*
1.6 MultiFuel (CMXA)		Gasol./Etanol	FWD	1595	75	102	01.08-06.13	*
1.6 TDI (CAYC)		Diesel	FWD	1598	77	105	06.09-04.13	*
1.9 TDI (BJB)		Diesel	FWD	1896	77	105	06.04-12.10	*
1.9 TDI (BKC)		Diesel	FWD	1896	77	105	06.04-12.10	*
1.9 TDI (BLS)		Diesel	FWD	1896	77	105	06.04-12.10	*
1.9 TDI (BXE)		Diesel	FWD	1896	77	105	06.04-12.10	*
2.0 TDI (CFHF)		Diesel	FWD	1968	81	110	03.10-06.13	*
2.0 TDI (CLCA)		Diesel	FWD	1968	81	110	03.10-06.13	*
2.0 TDI (AZV)		Diesel	FWD	1968	100	136	02.04-05.10	*
2.0 TDI (BMM)		Diesel	FWD	1968	103	140	11.05-05.10	*
2.0 TDI 16V (BKD)		Diesel	FWD	1968	103	140	02.04-04.13	*
2.0 TDI 16V (CFHC)		Diesel	FWD	1968	103	140	02.04-04.13	*
2.0 TDI 16V (CLCB)		Diesel	FWD	1968	103	140	02.04-04.13	*
2.0 TDI RS (BMN)		Diesel	FWD	1968	125	170	04.06-02.13	*
2.0 TDI RS (CEGA)		Diesel	FWD	1968	125	170	04.06-02.13	*
OCTAVIA II Combi (1Z5) 02.04-06.13							[CAMBIADO]:Break (Compact car-C Segment)	
1.2 TSI (CBZB)		Gasolina	FWD	1197	77	105	02.10-04.13	*
1.4 TSI (CAXA)		Gasolina	FWD	1390	90	122	11.08-06.13	*
1.6 FSI (BLF)		Gasolina	FWD	1598	85	115	02.04-10.08	*
1.8 TSI (CDAB)		Gasolina	FWD	1798	112	152	03.09-06.13	*
1.8 TSI 4x4 (CDAB)		Gasolina	4WD	1798	112	152	03.09-02.13	*
1.8 TSI (BZB)		Gasolina	FWD	1798	118	160	06.07-04.13	*
1.8 TSI (CDA)		Gasolina	FWD	1798	118	160	06.07-04.13	*
1.8 TSI 4x4 (CDA)		Gasolina	4WD	1798	118	160	11.08-02.13	*
2.0 FSI (BLR)		Gasolina	FWD	1984	110	150	11.04-10.08	*
2.0 FSI (BLY)		Gasolina	FWD	1984	110	150	11.04-10.08	*
2.0 FSI (BVY)		Gasolina	FWD	1984	110	150	11.04-10.08	*
2.0 FSI (BVZ)		Gasolina	FWD	1984	110	150	11.04-10.08	*
2.0 FSI 4x4 (BLX)		Gasolina	4WD	1984	110	150	11.04-04.09	*
2.0 FSI 4x4 (BLY)		Gasolina	4WD	1984	110	150	11.04-04.09	*
2.0 FSI 4x4 (BVX)		Gasolina	4WD	1984	110	150	11.04-04.09	*
2.0 TFSI (BWA)		Gasolina	FWD	1984	147	200	10.05-02.13	*
2.0 TFSI (CCZA)		Gasolina	FWD	1984	147	200	10.05-02.13	*
1.6 LPG (CHGA)		Gasol./Gas (LPG)	FWD	1595	75	102	08.09-11.12	*
1.6 MultiFuel (CCSA)		Gasol./Etanol	FWD	1595	75	102	01.08-06.13	*
1.6 MultiFuel (CMXA)		Gasol./Etanol	FWD	1595	75	102	01.08-06.13	*
1.6 TDI (CAYC)		Diesel	FWD	1598	77	105	06.09-04.13	*
1.6 TDI 4x4 (CAYC)		Diesel	4WD	1598	77	105	06.09-02.13	*

LISTA DE APLICACIONES - BUYERS GUIDE

1.9 TDI (BJB)		Diesel	FWD	1896	77	105	09.04-12.10	*
1.9 TDI (BKC)		Diesel	FWD	1896	77	105	09.04-12.10	*
1.9 TDI (BLS)		Diesel	FWD	1896	77	105	09.04-12.10	*
1.9 TDI (BXE)		Diesel	FWD	1896	77	105	09.04-12.10	*
1.9 TDI 4x4 (BKC)		Diesel	4WD	1896	77	105	11.04-12.10	*
1.9 TDI 4x4 (BLS)		Diesel	4WD	1896	77	105	11.04-12.10	*
1.9 TDI 4x4 (BXE)		Diesel	4WD	1896	77	105	11.04-12.10	*
2.0 TDI (CFHF)		Diesel	FWD	1968	81	110	03.10-06.13	*
2.0 TDI (CLCA)		Diesel	FWD	1968	81	110	03.10-06.13	*
2.0 TDI 4x4 (CFHF)		Diesel	4WD	1968	81	110	05.11-02.13	*
2.0 TDI 16V (AZV)		Diesel	FWD	1968	100	136	02.04-05.10	*
2.0 TDI (BMM)		Diesel	FWD	1968	103	140	11.05-05.10	*
2.0 TDI 16V (BKD)		Diesel	FWD	1968	103	140	02.04-05.13	*
2.0 TDI 16V (CFHC)		Diesel	FWD	1968	103	140	02.04-05.13	*
2.0 TDI 16V (CLCB)		Diesel	FWD	1968	103	140	02.04-05.13	*
2.0 TDI 16V 4x4 (BKD)		Diesel	4WD	1968	103	140	05.10-02.13	*
2.0 TDI 16V 4x4 (CFHC)		Diesel	4WD	1968	103	140	05.10-02.13	*
2.0 TDI 16V 4x4 (CLCB)		Diesel	4WD	1968	103	140	05.10-02.13	*
2.0 TDI 4x4 (BMM)		Diesel	4WD	1968	103	140	07.06-05.10	*
2.0 TDI RS (BMN)		Diesel	FWD	1968	125	170	04.06-02.13	*
2.0 TDI RS (CEGA)		Diesel	FWD	1968	125	170	04.06-02.13	*
RAPID III (NH3, NK3, NK6) 07.12-							[CAMBIADO]:Fastback (Supermini car-B Segment)	
1.0 TSI (CHZB)		Gasolina	FWD	999	70	95	06.17-12.19	*
1.0 TSI (DKLD)		Gasolina	FWD	999	70	95	06.17-12.19	*
1.0 TSI (CHZC)		Gasolina	FWD	999	81	110	06.17-12.19	*
1.0 TSI (DKRC)		Gasolina	FWD	999	81	110	06.17-12.19	*
1.2 TSI (CBZA)		Gasolina	FWD	1197	63	86	07.12-05.15	*
1.2 TSI (CJZC)		Gasolina	FWD	1197	66	90	05.15-12.19	*
1.2 TSI (CBZB)		Gasolina	FWD	1197	77	105	07.12-05.15	*
1.2 TSI (CJZD)		Gasolina	FWD	1197	81	110	05.15-12.19	*
1.2 (CGPC)		Gasolina	FWD	1198	55	75	07.12-06.15	*
1.4 TSI (CAXA)		Gasolina	FWD	1390	90	122	07.12-06.15	*
1.4 TSI (CZCA)		Gasolina	FWD	1395	92	125	05.15-03.22	*
1.6 SRE (CWVB)		Gasolina	FWD	1598	66	90	06.15-03.22	*
1.6 (CFNA)		Gasolina	FWD	1598	77	105	07.12-06.15	*
1.6 (CWVA)		Gasolina	FWD	1598	81	110	05.15-03.22	*
1.2 LPG (CBZA)		Gasol./Gas (LPG)	FWD	1197	63	86	07.12-05.15	*
1.2 LPG (CGPC)		Gasol./Gas (LPG)	FWD	1198	55	75	07.12-06.15	*
1.4 TDI (CUSB)		Diesel	FWD	1422	66	90	05.15-12.19	*
1.6 TDI (CAYB)		Diesel	FWD	1598	66	90	08.13-05.15	*
1.6 TDI (CAYC)		Diesel	FWD	1598	77	105	07.12-12.19	*
1.6 TDI (CLNA)		Diesel	FWD	1598	77	105	07.12-12.19	*
1.6 TDI (CXMA)		Diesel	FWD	1598	85	115	05.15-12.19	*
RAPID III Spaceback (NH1) 07.12-							[CAMBIADO]:Fastback (Supermini car-B Segment)	
1.0 TSI (CHZB)		Gasolina	FWD	999	70	95	06.17-12.19	*
1.0 TSI (DKLD)		Gasolina	FWD	999	70	95	06.17-12.19	*
1.0 TSI (CHZC)		Gasolina	FWD	999	81	110	06.17-12.19	*
1.0 TSI (DKRC)		Gasolina	FWD	999	81	110	06.17-12.19	*
1.2 TSI (CBZA)		Gasolina	FWD	1197	63	86	07.12-05.15	*

LISTA DE APLICACIONES - BUYERS GUIDE

1.2 TSI (CJZC)		Gasolina	FWD	1197	66	90	05.15-12.19	*	
1.2 TSI (CBZB)		Gasolina	FWD	1197	77	105	07.12-05.15	*	
1.2 TSI (CJZD)		Gasolina	FWD	1197	81	110	05.15-12.19	*	
1.2 (CGPC)		Gasolina	FWD	1198	55	75	07.12-06.15	*	
1.4 TSI (CAXA)		Gasolina	FWD	1390	90	122	07.12-06.15	*	
1.4 TSI (CZCA)		Gasolina	FWD	1395	92	125	05.15-12.19	*	
1.6 (CFNA)		Gasolina	FWD	1598	77	105	07.12-06.15	*	
1.6 SRE (CWVA)		Gasolina	FWD	1598	81	110	05.15-12.19	*	
1.2 LPG (CBZA)		Gasol./Gas (LPG)	FWD	1197	63	86	07.12-05.15	*	
1.2 LPG (CGPC)		Gasol./Gas (LPG)	FWD	1198	55	75	07.12-06.15	*	
1.4 TDI (CUSB)		Diesel	FWD	1422	66	90	05.15-12.19	*	
1.6 TDI (CAYB)		Diesel	FWD	1598	66	90	08.13-05.15	*	
1.6 TDI (CAYC)		Diesel	FWD	1598	77	105	07.12-12.19	*	
1.6 TDI (CLNA)		Diesel	FWD	1598	77	105	07.12-12.19	*	
1.6 TDI (CXMA)		Diesel	FWD	1598	85	115	05.15-12.19	*	
ROOMSTER / PRAKTIK (5J) 03.07-05.15							[CAMBIADO]:Furgón/Break (Large MPV-M1 Segment)		
1.2 TSI (CBZA)		Gasolina	FWD	1197	63	86	03.10-05.15	*	
1.2 TDI (CFWA)		Diesel	FWD	1199	55	75	03.10-05.15	*	
1.6 TDI (CAYB)		Diesel	FWD	1598	66	90	03.10-05.15	*	
ROOMSTER / PRAKTIK (5J7) 03.06-05.15							MPV (Large MPV-M1 Segment)		
1.2 TSI (CBZA)		Gasolina	FWD	1197	63	86	03.10-05.15	*	
1.2 TSI (CBZB)		Gasolina	FWD	1197	77	105	03.10-05.15	*	
1.6 (BTS)		Gasolina	FWD	1598	77	105	09.06-05.15	*	
1.6 (CFNA)		Gasolina	FWD	1598	77	105	09.06-05.15	*	
1.2 TDI (CFWA)		Diesel	FWD	1199	55	75	03.10-05.15	*	
1.6 TDI (CAYB)		Diesel	FWD	1598	66	90	03.10-05.15	*	
1.6 TDI (CAYC)		Diesel	FWD	1598	77	105	03.10-05.15	*	
SUPERB II (3T5) 10.09-05.15							[CAMBIADO]:Break (Executive car-E Segment)		
1.4 TSI (CAXC)		Gasolina	FWD	1390	92	125	10.09-05.15	*	
1.8 TSI (CDAB)		Gasolina	FWD	1798	112	152	10.09-05.15	*	
1.8 TSI 4x4 (CDAB)		Gasolina	4WD	1798	112	152	10.09-05.15	*	
1.8 TSI (CDAA)		Gasolina	FWD	1798	118	160	10.09-05.15	*	
1.8 TSI 4x4 (CDAA)		Gasolina	4WD	1798	118	160	10.09-05.15	*	
2.0 TFSI (CCZA)		Gasolina	FWD	1984	147	200	05.10-05.15	*	
3.6 V6 4x4 (CDVA)		Gasolina	4WD	3597	191	260	10.09-05.15	*	
1.6 TDI (CAYC)		Diesel	FWD	1598	77	105	09.10-05.15	*	
1.9 TDI (BLS)		Diesel	FWD	1896	77	105	10.09-11.10	*	
1.9 TDI (BXE)		Diesel	FWD	1896	77	105	10.09-11.10	*	
2.0 TDI (BMP)		Diesel	FWD	1968	103	140	10.09-03.10	*	
2.0 TDI 16V (BKD)		Diesel	FWD	1968	103	140	10.09-05.15	*	
2.0 TDI 16V (CFFB)		Diesel	FWD	1968	103	140	10.09-05.15	*	
2.0 TDI 16V (CLJA)		Diesel	FWD	1968	103	140	10.09-05.15	*	
2.0 TDI 16V 4x4 (CFFB)		Diesel	4WD	1968	103	140	11.10-05.15	*	
2.0 TDI (CBBB)		Diesel	FWD	1968	125	170	10.09-05.15	*	
2.0 TDI (CFGB)		Diesel	FWD	1968	125	170	10.09-05.15	*	
2.0 TDI 4x4 (CBBB)		Diesel	4WD	1968	125	170	10.09-05.15	*	
2.0 TDI 4x4 (CFGB)		Diesel	4WD	1968	125	170	10.09-05.15	*	

LISTA DE APLICACIONES - BUYERS GUIDE

SUPERB II (3T4) 03.08-05.15					[CAMBIADO]:Fastback (Executive car-E Segment)			
1.4 TSI (CAXC)		Gasolina	FWD	1390	92	125	07.08-05.15	*
1.8 TSI (CDAB)		Gasolina	FWD	1798	112	152	03.09-05.15	*
1.8 TSI 4x4 (CDAB)		Gasolina	4WD	1798	112	152	03.09-05.15	*
1.8 TSI (BZB)		Gasolina	FWD	1798	118	160	03.08-05.15	*
1.8 TSI (CDAA)		Gasolina	FWD	1798	118	160	03.08-05.15	*
1.8 TSI 4x4 (CDAA)		Gasolina	4WD	1798	118	160	11.08-05.15	*
2.0 TFSI (CCZA)		Gasolina	FWD	1984	147	200	05.10-05.15	*
3.6 FSI		Gasolina	FWD	3597	191	260	04.09-05.15	*
3.6 FSI 4x4 (CDVA)		Gasolina	4WD	3597	191	260	11.08-05.15	*
1.6 TDI (CAYC)		Diesel	FWD	1598	77	105	09.10-05.15	*
1.9 TDI (BLS)		Diesel	FWD	1896	77	105	03.08-11.10	*
1.9 TDI (BXE)		Diesel	FWD	1896	77	105	03.08-11.10	*
2.0 TDI (BMP)		Diesel	FWD	1968	103	140	03.08-05.10	*
2.0 TDI 16V (BKD)		Diesel	FWD	1968	103	140	01.09-05.15	*
2.0 TDI 16V (CFFB)		Diesel	FWD	1968	103	140	01.09-05.15	*
2.0 TDI 16V (CLJA)		Diesel	FWD	1968	103	140	01.09-05.15	*
2.0 TDI 16V 4x4 (CFFB)		Diesel	4WD	1968	103	140	11.10-05.15	*
2.0 TDI (CBBB)		Diesel	FWD	1968	125	170	07.08-05.15	*
2.0 TDI (CFGB)		Diesel	FWD	1968	125	170	07.08-05.15	*
2.0 TDI 4x4 (CBBB)		Diesel	4WD	1968	125	170	09.08-05.15	*
2.0 TDI 4x4 (CFGB)		Diesel	4WD	1968	125	170	09.08-05.15	*
SUPERB III (3V5) 03.15-					[CAMBIADO]:Break (Executive car-E Segment)			
1.4 TSI (CZCA)		Gasolina	FWD	1395	92	125	03.15-06.24	*
1.4 TSI (CZDA)		Gasolina	FWD	1395	110	150	03.15-06.24	*
1.4 TSI (CZEA)		Gasolina	FWD	1395	110	150	03.15-06.24	*
1.4 TSI 4x4 (CZEA)		Gasolina	4WD	1395	110	150	03.15-06.24	*
1.8 TSI (CJSA)		Gasolina	FWD	1798	132	180	03.15-06.24	*
1.8 TSI (CJSC)		Gasolina	FWD	1798	132	180	03.15-06.24	*
2.0 TSI (CHHB)		Gasolina	FWD	1984	162	220	03.15-06.24	*
2.0 TSI 4x4 (CJXA)		Gasolina	4WD	1984	206	280	03.15-06.24	*
2.0 TSI 4x4 (DNFE)		Gasolina	4WD	1984	206	280	03.15-06.24	*
1.6 TDI (DCXA)		Diesel	FWD	1598	88	120	03.15-06.24	*
1.6 TDI (DCZA)		Diesel	FWD	1598	88	120	03.15-06.24	*
2.0 TDI (CRLB)		Diesel	FWD	1968	110	150	03.15-06.24	*
2.0 TDI (DFEA)		Diesel	FWD	1968	110	150	03.15-06.24	*
2.0 TDI (DFGA)		Diesel	FWD	1968	110	150	03.15-06.24	*
2.0 TDI (DSRA)		Diesel	FWD	1968	110	150	03.15-06.24	*
2.0 TDI (DSRB)		Diesel	FWD	1968	110	150	03.15-06.24	*
2.0 TDI 4x4 (CRLB)		Diesel	4WD	1968	110	150	03.15-06.24	*
2.0 TDI 4x4 (DFEA)		Diesel	4WD	1968	110	150	03.15-06.24	*
2.0 TDI 4x4 (DFGA)		Diesel	4WD	1968	110	150	03.15-06.24	*
2.0 TDI (DDAA)		Diesel	FWD	1968	140	190	03.15-06.24	*
2.0 TDI (DFCA)		Diesel	FWD	1968	140	190	03.15-06.24	*
2.0 TDI (DFHA)		Diesel	FWD	1968	140	190	03.15-06.24	*
2.0 TDI 4x4 (DDAA)		Diesel	4WD	1968	140	190	03.15-06.24	*
2.0 TDI 4x4 (DFCA)		Diesel	4WD	1968	140	190	03.15-06.24	*
2.0 TDI 4x4 (DFHA)		Diesel	4WD	1968	140	190	03.15-06.24	*
SUPERB III (3V3) 03.15-					[CAMBIADO]:Fastback (Executive car-E Segment)			
1.4 TSI (CZCA)		Gasolina	FWD	1395	92	125	03.15-06.24	*

LISTA DE APLICACIONES - BUYERS GUIDE

1.4 TSI (CZDA)		Gasolina	FWD	1395	110	150	03.15-06.24	*
1.4 TSI (CZEA)		Gasolina	FWD	1395	110	150	03.15-06.24	*
1.4 TSI 4x4 (CZEA)		Gasolina	4WD	1395	110	150	03.15-06.24	*
1.8 TSI (CJSA)		Gasolina	FWD	1798	132	180	03.15-06.24	*
1.8 TSI (CJSC)		Gasolina	FWD	1798	132	180	03.15-06.24	*
2.0 TSI (CHHB)		Gasolina	FWD	1984	162	220	03.15-06.24	*
2.0 TSI 4x4 (CJXA)		Gasolina	4WD	1984	206	280	03.15-06.24	*
2.0 TSI 4x4 (DNFE)		Gasolina	4WD	1984	206	280	03.15-06.24	*
1.6 TDI (DCXA)		Diesel	FWD	1598	88	120	03.15-06.24	*
1.6 TDI (DCZA)		Diesel	FWD	1598	88	120	03.15-06.24	*
2.0 TDI (CRLB)		Diesel	FWD	1968	110	150	03.15-06.24	*
2.0 TDI (DFEA)		Diesel	FWD	1968	110	150	03.15-06.24	*
2.0 TDI (DFGA)		Diesel	FWD	1968	110	150	03.15-06.24	*
2.0 TDI (DSRA)		Diesel	FWD	1968	110	150	03.15-06.24	*
2.0 TDI (DSRB)		Diesel	FWD	1968	110	150	03.15-06.24	*
2.0 TDI 4x4 (CRLB)		Diesel	4WD	1968	110	150	03.15-06.24	*
2.0 TDI 4x4 (DFEA)		Diesel	4WD	1968	110	150	03.15-06.24	*
2.0 TDI 4x4 (DFGA)		Diesel	4WD	1968	110	150	03.15-06.24	*
2.0 TDI (DDAA)		Diesel	FWD	1968	140	190	03.15-06.24	*
2.0 TDI (DFCA)		Diesel	FWD	1968	140	190	03.15-06.24	*
2.0 TDI (DFHA)		Diesel	FWD	1968	140	190	03.15-06.24	*
2.0 TDI 4x4 (DDAA)		Diesel	4WD	1968	140	190	03.15-06.24	*
2.0 TDI 4x4 (DFCA)		Diesel	4WD	1968	140	190	03.15-06.24	*
2.0 TDI 4x4 (DFHA)		Diesel	4WD	1968	140	190	03.15-06.24	*
YETI (5L) 05.09-							SUV (Mini SUV-J Segment)	
1.2 TSI (CYVB)		Gasolina	FWD	1197	81	110	05.15-12.17	*
1.4 TSI (CZCA)		Gasolina	FWD	1395	92	125	05.15-12.17	*
1.4 TSI 4x4 (CZDA)		Gasolina	4WD	1395	110	150	05.15-12.17	*
1.6 (CWVA)		Gasolina	FWD	1598	81	110	04.14-12.17	*
1.8 TSI 4x4 (CDAB)		Gasolina	4WD	1798	112	152	11.09-12.17	*
1.8 TSI 4x4 (CDAA)		Gasolina	4WD	1798	118	160	05.09-12.17	*
2.0 TDI (CFHC)		Diesel	FWD	1968	103	140	11.11-12.17	*
2.0 TDI (CLCB)		Diesel	FWD	1968	103	140	11.11-12.17	*
2.0 TDI 4x4 (CBDB)		Diesel	4WD	1968	103	140	05.09-12.17	*
2.0 TDI 4x4 (CFHC)		Diesel	4WD	1968	103	140	05.09-12.17	*
2.0 TDI 4x4 (CLCB)		Diesel	4WD	1968	103	140	05.09-12.17	*
2.0 TDI (CUUB)		Diesel	FWD	1968	110	150	05.15-12.17	*
2.0 TDI (DFSB)		Diesel	FWD	1968	110	150	05.15-12.17	*
2.0 TDI 4x4 (CUUB)		Diesel	4WD	1968	110	150	05.15-12.17	*
2.0 TDI 4x4 (DFSB)		Diesel	4WD	1968	110	150	05.15-12.17	*
2.0 TDI 4x4 (CEGA)		Diesel	4WD	1968	125	170	11.09-05.15	*
2.0 TDI 4x4 (CFJA)		Diesel	4WD	1968	125	170	11.09-05.15	*
SKODA (SVW)								
OCTAVIA (913) 06.07-							[CAMBIADO]:Fastback (Compact car-C Segment)	
1.4 TSI		Gasolina	FWD	1390	96	131	08.09-	*
1.8 TSI		Gasolina	FWD	1798	118	160	06.07-03.14	*
2.0 TSI		Gasolina	FWD	1984	147	200	04.10-	*
YETI (0Y6, 0Y7) 11.13-							Closed SUV (Mini SUV-J Segment)	
1.6		Gasolina	FWD	1598	81	110	02.14-	*
SPYKER								

LISTA DE APLICACIONES - BUYERS GUIDE

C8 Aileron 04.10-					Coupé (Sports car-S Segment)			
4.2 (BFM)	Gasolina	RWD	4172	298	405	04.10-	*	
VW								
BEETLE (5C7, 5C8) 12.11-					Cabrio (Compact car-C Segment)			
1.2 TSI (CBZB)	Gasolina	FWD	1197	77	105	12.11-07.19	*	
1.2 TSI 16V (CYVD)	Gasolina	FWD	1197	77	105	12.14-07.19	*	
1.4 TSI (CAVD)	Gasolina	FWD	1390	118	160	12.11-07.16	*	
1.4 TSI (CNWA)	Gasolina	FWD	1390	118	160	12.11-07.16	*	
1.4 TSI (CTHD)	Gasolina	FWD	1390	118	160	12.11-07.16	*	
1.4 TSI (CTKA)	Gasolina	FWD	1390	118	160	12.11-07.16	*	
1.4 TSI (CZDA)	Gasolina	FWD	1395	110	150	12.14-09.18	*	
1.8 TSI	Gasolina	FWD	1798	125	170	12.13-	*	
2.0 TFSI (CBFA)	Gasolina	FWD	1984	147	200	12.11-07.16	*	
2.0 TFSI (CCTA)	Gasolina	FWD	1984	147	200	12.11-07.16	*	
2.0 TFSI (CCZA)	Gasolina	FWD	1984	147	200	12.11-07.16	*	
2.0 TSI (CPLA)	Gasolina	FWD	1984	155	210	12.12-07.19	*	
2.0 TSI (CPPA)	Gasolina	FWD	1984	155	210	12.12-07.19	*	
2.0 TSI (CULC)	Gasolina	FWD	1984	162	220	12.14-09.18	*	
2.5 (CBTA)	Gasolina	FWD	2480	125	170	12.11-07.16	*	
2.5 (CBUA)	Gasolina	FWD	2480	125	170	12.11-07.16	*	
2.5 (CCCA)	Gasolina	FWD	2480	125	170	12.11-07.16	*	
1.6 TDI (CAYC)	Diesel	FWD	1598	77	105	12.11-07.16	*	
2.0 TDI (CUUA)	Diesel	FWD	1968	81	110	06.14-09.18	*	
2.0 TDI (CFFB)	Diesel	FWD	1968	103	140	04.12-07.16	*	
2.0 TDI (CJAA)	Diesel	FWD	1968	103	140	04.12-07.16	*	
2.0 TDI (CUUB)	Diesel	FWD	1968	110	150	09.14-09.18	*	
2.0 TDI (CVCA)	Diesel	FWD	1968	110	150	09.14-09.18	*	
2.0 TDI (DELA)	Diesel	FWD	1968	110	150	09.14-09.18	*	
BEETLE / NOVO FUSCA (5C1, 5C2) 04.11-					[CAMBIADO]:Fastback (Compact car-C Segment)			
1.2 TSI (CBZB)	Gasolina	FWD	1197	77	105	07.11-07.19	*	
1.2 TSI 16V (CYVD)	Gasolina	FWD	1197	77	105	12.14-07.19	*	
1.4 TSI (CAVD)	Gasolina	FWD	1390	118	160	10.11-07.16	*	
1.4 TSI (CNWA)	Gasolina	FWD	1390	118	160	10.11-07.16	*	
1.4 TSI (CTHD)	Gasolina	FWD	1390	118	160	10.11-07.16	*	
1.4 TSI (CTKA)	Gasolina	FWD	1390	118	160	10.11-07.16	*	
1.4 TSI (CZDA)	Gasolina	FWD	1395	110	150	12.14-07.19	*	
2.0 TFSI (CBFA)	Gasolina	FWD	1984	147	200	04.11-07.16	*	
2.0 TFSI (CCTA)	Gasolina	FWD	1984	147	200	04.11-07.16	*	
2.0 TFSI (CCZA)	Gasolina	FWD	1984	147	200	04.11-07.16	*	
2.0 TSI (CPLA)	Gasolina	FWD	1984	155	211	12.12-07.19	*	
2.0 TSI (CPPA)	Gasolina	FWD	1984	155	211	12.12-07.19	*	
2.0 TSI (CULC)	Gasolina	FWD	1984	162	220	12.14-09.18	*	
2.5 (CBTA)	Gasolina	FWD	2480	125	170	04.11-07.19	*	
2.5 (CBUA)	Gasolina	FWD	2480	125	170	04.11-07.19	*	
2.5 (CCCA)	Gasolina	FWD	2480	125	170	04.11-07.19	*	
1.6 TDI (CAYC)	Diesel	FWD	1598	77	105	10.11-07.16	*	
2.0 TDI (CUUA)	Diesel	FWD	1968	81	110	06.14-09.18	*	
2.0 TDI (CFFB)	Diesel	FWD	1968	103	140	04.11-07.16	*	
2.0 TDI (CJAA)	Diesel	FWD	1968	103	140	04.11-07.16	*	
2.0 TDI (CUUB)	Diesel	FWD	1968	110	150	07.14-09.18	*	

LISTA DE APLICACIONES - BUYERS GUIDE

2.0 TDI (CVCA)		Diesel	FWD	1968	110	150	07.14-09.18	*
2.0 TDI (DELA)		Diesel	FWD	1968	110	150	07.14-09.18	*
CADDY III (2KA, 2KH, 2CA, 2CH) 03.04-03.16					Furgoneta/MPV (LCVs-N1 Segment)			
1.2 TSI (CBZA)		Gasolina	FWD	1197	63	86	09.10-05.15	*
1.2 TSI (CBZB)		Gasolina	FWD	1197	77	105	09.10-05.15	*
1.4 (BCA)		Gasolina	FWD	1390	55	75	03.04-05.06	*
1.4 (BUD)		Gasolina	FWD	1390	59	80	05.06-08.10	*
1.6 (BGU)		Gasolina	FWD	1595	75	102	04.04-05.15	*
1.6 (BSE)		Gasolina	FWD	1595	75	102	04.04-05.15	*
1.6 (BSF)		Gasolina	FWD	1595	75	102	04.04-05.15	*
1.6 BiFuel (CHGA)		Gasol./Gas (LPG)	FWD	1595	75	102	05.11-05.15	*
1.6 TDI (CAYE)		Diesel	FWD	1598	55	75	08.10-05.15	*
1.6 TDI (CAYD)		Diesel	FWD	1598	75	102	08.10-05.15	*
1.9 TDI (BSU)		Diesel	FWD	1896	55	75	09.05-08.10	*
1.9 TDI (BJB)		Diesel	FWD	1896	77	105	04.04-08.10	*
1.9 TDI (BLS)		Diesel	FWD	1896	77	105	04.04-08.10	*
1.9 TDI 4motion (BLS)		Diesel	4WD	1896	77	105	11.08-08.10	*
2.0 SDI (BDJ)		Diesel	FWD	1968	51	70	03.04-08.10	*
2.0 SDI (BST)		Diesel	FWD	1968	51	70	03.04-08.10	*
2.0 TDI (CFHE)		Diesel	FWD	1968	62	85	11.10-05.15	*
2.0 TDI 4motion (CFHE)		Diesel	4WD	1968	62	85	12.10-05.15	*
2.0 TDI (CLCA)		Diesel	FWD	1968	81	110	08.10-05.15	*
2.0 TDI 4motion (CFHF)		Diesel	4WD	1968	81	110	08.10-05.15	*
2.0 TDI (BMM)		Diesel	FWD	1968	103	140	09.07-08.10	*
2.0 TDI 16V (CFHC)		Diesel	FWD	1968	103	140	11.10-05.15	*
2.0 TDI 16V (CLCB)		Diesel	FWD	1968	103	140	11.10-05.15	*
2.0 TDI 16V 4motion (CFHC)		Diesel	4WD	1968	103	140	11.10-05.15	*
2.0 TDI (CFJA)		Diesel	FWD	1968	125	170	05.12-05.15	*
2.0 EcoFuel (BSX)		CNG	FWD	1984	80	109	04.06-05.15	*
CADDY III (2KB, 2KJ, 2CB, 2CJ) 03.04-03.16					MPV (Mini MPV-M1 Segment)			
1.2 TSI (CBZA)		Gasolina	FWD	1197	63	86	09.10-05.15	*
1.2 TSI (CBZB)		Gasolina	FWD	1197	77	105	09.10-05.15	*
1.4 (BCA)		Gasolina	FWD	1390	55	75	03.04-05.06	*
1.4 (BUD)		Gasolina	FWD	1390	59	80	05.06-08.10	*
1.6		Gasolina	FWD	1595	65	88	01.05-12.09	*
1.6		Gasolina	FWD	1595	74	101	03.05-05.15	*
1.6 (BGU)		Gasolina	FWD	1595	75	102	04.04-05.15	*
1.6 (BSE)		Gasolina	FWD	1595	75	102	04.04-05.15	*
1.6 (BSF)		Gasolina	FWD	1595	75	102	04.04-05.15	*
1.6 BiFuel (CHGA)		Gasol./Gas (LPG)	FWD	1595	75	102	05.11-05.15	*
1.6 TDI (CAYE)		Diesel	FWD	1598	55	75	08.10-05.15	*
1.6 TDI (CAYD)		Diesel	FWD	1598	75	102	08.10-05.15	*
1.9 D		Diesel	FWD	1896	48	65	10.05-06.09	*
1.9 TDI (BSU)		Diesel	FWD	1896	55	75	09.05-08.10	*
1.9 TDI (BJB)		Diesel	FWD	1896	77	105	04.04-08.10	*
1.9 TDI (BLS)		Diesel	FWD	1896	77	105	04.04-08.10	*
1.9 TDI 4motion (BLS)		Diesel	4WD	1896	77	105	05.08-08.10	*
2.0 SDI (BDJ)		Diesel	FWD	1968	51	70	03.04-08.10	*
2.0 SDI (BST)		Diesel	FWD	1968	51	70	03.04-08.10	*
2.0 TDI (CLCA)		Diesel	FWD	1968	81	110	08.10-05.15	*

LISTA DE APLICACIONES - BUYERS GUIDE

2.0 TDI 4motion (CFHF)		Diesel	4WD	1968	81	110	08.10-05.15	*	
2.0 TDI (BMM)		Diesel	FWD	1968	103	140	09.07-08.10	*	
2.0 TDI 16V (CFHC)		Diesel	FWD	1968	103	140	11.10-05.15	*	
2.0 TDI 16V (CLCB)		Diesel	FWD	1968	103	140	11.10-05.15	*	
2.0 TDI 16V 4motion (CFHC)		Diesel	4WD	1968	103	140	11.10-05.15	*	
2.0 TDI (CFJA)		Diesel	FWD	1968	125	170	05.12-05.15	*	
2.0 EcoFuel (BSX)		CNG	FWD	1984	80	109	04.06-05.15	*	
CC B7 (358) 11.11-10.17					Coupé (Large family car-D Segment)				
1.4 TSI (CTHD)		Gasolina	FWD	1390	118	160	11.11-12.16	*	
1.4 TSI (CZDA)		Gasolina	FWD	1395	110	150	05.15-12.16	*	
1.8 TSI (CDAB)		Gasolina	FWD	1798	112	152	11.11-12.16	*	
1.8 TSI (CDAA)		Gasolina	FWD	1798	118	160	11.11-12.16	*	
2.0 TFSI (CBFA)		Gasolina	FWD	1984	147	200	11.11-12.16	*	
2.0 TFSI (CCTA)		Gasolina	FWD	1984	147	200	11.11-12.16	*	
2.0 TSI (CCZB)		Gasolina	FWD	1984	155	210	11.11-12.16	*	
3.6 FSI		Gasolina	FWD	3597	206	280	11.11-	*	
3.6 FSI		Gasolina	FWD	3597	206	280	11.11-	*	
3.6 FSI 4motion (BWS)		Gasolina	4WD	3597	220	300	11.11-12.16	*	
1.4 TSI MultiFuel (CKMA)		Gasol./Etanol	FWD	1390	118	160	11.11-12.16	*	
2.0 TDI (CFFA)		Diesel	FWD	1968	100	136	11.11-12.16	*	
2.0 TDI (CFFB)		Diesel	FWD	1968	103	140	11.11-12.16	*	
2.0 TDI 4motion (CFFB)		Diesel	4WD	1968	103	140	11.11-12.16	*	
2.0 TDI (CUVC)		Diesel	FWD	1968	110	150	05.15-12.16	*	
2.0 TDI (CFGB)		Diesel	FWD	1968	125	170	11.11-12.16	*	
2.0 TDI (CLLA)		Diesel	FWD	1968	125	170	11.11-12.16	*	
2.0 TDI 4motion (CFGB)		Diesel	4WD	1968	125	170	11.11-01.13	*	
2.0 TDI (CFGC)		Diesel	FWD	1968	130	177	12.12-12.16	*	
2.0 TDI 4motion (CFGC)		Diesel	4WD	1968	130	177	12.12-12.16	*	
2.0 TDI (CUWA)		Diesel	FWD	1968	135	184	05.15-12.16	*	
CROSSGOLF 01.07-					[CAMBIADO]:Fastback (Compact car-C Segment)				
2.0 TDI		Diesel	RWD	1995	103	140	01.07-	*	
EOS (1F7, 1F8) 03.06-08.15					Cabrio (Compact car-C Segment)				
1.4 TSI (CAXA)		Gasolina	FWD	1390	90	122	11.07-08.15	*	
1.4 TSI		Gasolina	FWD	1390	92	125	11.13-	*	
1.4 TSI (CAVD)		Gasolina	FWD	1390	118	160	05.08-08.15	*	
1.4 TSI (CTHD)		Gasolina	FWD	1390	118	160	05.08-08.15	*	
1.4 TSI		Gasolina	FWD	1395	110	150	11.13-	*	
1.6 FSI (BLF)		Gasolina	FWD	1598	85	115	06.06-05.08	*	
2.0 FSI (BVY)		Gasolina	FWD	1984	110	150	03.06-05.08	*	
2.0 FSI (BVZ)		Gasolina	FWD	1984	110	150	03.06-05.08	*	
2.0 TFSI (BPY)		Gasolina	FWD	1984	147	200	03.06-08.15	*	
2.0 TFSI (BWA)		Gasolina	FWD	1984	147	200	03.06-08.15	*	
2.0 TFSI (CAWB)		Gasolina	FWD	1984	147	200	03.06-08.15	*	
2.0 TFSI (CBFA)		Gasolina	FWD	1984	147	200	03.06-08.15	*	
2.0 TFSI (CCTA)		Gasolina	FWD	1984	147	200	03.06-08.15	*	
2.0 TFSI (CCZA)		Gasolina	FWD	1984	147	200	03.06-08.15	*	
2.0 TSI (CCZB)		Gasolina	FWD	1984	155	210	11.09-08.15	*	
2.0 TFSI		Gasolina	FWD	1984	162	220	11.13-08.15	*	
3.2 V6 (BUB)		Gasolina	FWD	3189	184	250	06.06-05.09	*	
3.2 V6 (CBRA)		Gasolina	FWD	3189	184	250	06.06-05.09	*	

LISTA DE APLICACIONES - BUYERS GUIDE

3.6 V6 (CDVA)		Gasolina	FWD	3597	191	260	05.09-11.10	*
2.0 TDI (CFFA)		Diesel	FWD	1968	100	136	11.10-08.15	*
2.0 TDI (BMM)		Diesel	FWD	1968	103	140	06.06-05.08	*
2.0 TDI 16V (CBAB)		Diesel	FWD	1968	103	140	05.08-08.15	*
2.0 TDI 16V (CFFB)		Diesel	FWD	1968	103	140	05.08-08.15	*
GOLF V / RABBIT V (1K1) 10.03-07.10				[CAMBIADO]:Fastback (Compact car-C Segment)				
1.0		Gasolina	FWD	999	48	65	08.05-	*
1.0		Gasolina	FWD	999	53	72	10.05-	*
1.4 16V (BCA)		Gasolina	FWD	1390	55	75	10.03-05.06	*
1.4 16V (BUD)		Gasolina	FWD	1390	59	80	05.06-11.08	*
1.4 FSI (BKG)		Gasolina	FWD	1390	66	90	10.03-07.06	*
1.4 FSI (BLN)		Gasolina	FWD	1390	66	90	10.03-07.06	*
1.4 TSI (CAXA)		Gasolina	FWD	1390	90	122	05.07-11.08	*
1.4 TSI (BMY)		Gasolina	FWD	1390	103	140	05.06-11.08	*
1.4 TSI (BLG)		Gasolina	FWD	1390	125	170	11.05-11.08	*
1.6		Gasolina	FWD	1595	67	91	08.05-	*
1.6 (BGU)		Gasolina	FWD	1595	75	102	01.04-11.08	*
1.6 (BSE)		Gasolina	FWD	1595	75	102	01.04-11.08	*
1.6 (BSF)		Gasolina	FWD	1595	75	102	01.04-11.08	*
1.6 (CCSA)		Gasolina	FWD	1595	75	102	01.04-11.08	*
1.6 FSI (BAG)		Gasolina	FWD	1598	85	115	10.03-07.08	*
1.6 FSI (BLF)		Gasolina	FWD	1598	85	115	10.03-07.08	*
1.6 FSI (BLP)		Gasolina	FWD	1598	85	115	10.03-07.08	*
1.8		Gasolina	FWD	1781	73	99	08.05-	*
1.8 GTI		Gasolina	FWD	1781	132	179	08.06-11.08	*
2.0 (BHY)		Gasolina	FWD	1984	85	116	01.05-11.08	*
2.0 (CBPA)		Gasolina	FWD	1984	85	116	01.05-11.08	*
2.0 FSI (AXW)		Gasolina	FWD	1984	110	150	01.04-11.08	*
2.0 FSI (BLR)		Gasolina	FWD	1984	110	150	01.04-11.08	*
2.0 FSI (BLX)		Gasolina	FWD	1984	110	150	01.04-11.08	*
2.0 FSI (BLY)		Gasolina	FWD	1984	110	150	01.04-11.08	*
2.0 FSI (BVX)		Gasolina	FWD	1984	110	150	01.04-11.08	*
2.0 FSI (BVY)		Gasolina	FWD	1984	110	150	01.04-11.08	*
2.0 FSI (BVZ)		Gasolina	FWD	1984	110	150	01.04-11.08	*
2.0 FSI 4motion (BLX)		Gasolina	4WD	1984	110	150	08.04-11.08	*
2.0 FSI 4motion (BVX)		Gasolina	4WD	1984	110	150	08.04-11.08	*
2.0 GTI (AXX)		Gasolina	FWD	1984	147	200	10.04-02.09	*
2.0 GTI (BPY)		Gasolina	FWD	1984	147	200	10.04-02.09	*
2.0 GTI (BWA)		Gasolina	FWD	1984	147	200	10.04-02.09	*
2.0 GTI (CAWB)		Gasolina	FWD	1984	147	200	10.04-02.09	*
2.0 GTI (CBFA)		Gasolina	FWD	1984	147	200	10.04-02.09	*
2.0 GTI (CCTA)		Gasolina	FWD	1984	147	200	10.04-02.09	*
2.0 GTI (BYD)		Gasolina	FWD	1984	169	230	09.06-12.08	*
2.5		Gasolina	FWD	2480	110	150	06.05-11.08	*
3.2 R32		Gasolina	FWD	3189	177	241	01.04-11.08	*
3.2 R32 4motion (BUB)		Gasolina	4WD	3189	184	250	11.05-11.08	*
3.2 R32 4motion (CBRA)		Gasolina	4WD	3189	184	250	11.05-11.08	*
1.6 MultiFuel (CCSA)		Gasol./Etanol	FWD	1595	75	102	10.07-11.08	*
1.6 FSI		Gasol./eléc.	FWD	1598	74	101	02.06-	*

LISTA DE APLICACIONES - BUYERS GUIDE

1.8 Hybrid		Gasol./el éc.	FWD	1781	73	99	08.05-	*	
1.9 TDI (BKC)		Diesel	FWD	1896	77	105	10.03-11.08	*	
1.9 TDI (BLS)		Diesel	FWD	1896	77	105	10.03-11.08	*	
1.9 TDI (BXE)		Diesel	FWD	1896	77	105	10.03-11.08	*	
1.9 TDI 4motion (BKC)		Diesel	4WD	1896	77	105	08.04-11.08	*	
1.9 TDI 4motion (BLS)		Diesel	4WD	1896	77	105	08.04-11.08	*	
1.9 TDI 4motion (BXE)		Diesel	4WD	1896	77	105	08.04-11.08	*	
2.0 SDI (BDK)		Diesel	FWD	1968	55	75	01.04-11.08	*	
2.0 TDI (AZV)		Diesel	FWD	1968	100	136	10.03-11.08	*	
2.0 TDI (BMM)		Diesel	FWD	1968	103	140	12.04-11.08	*	
2.0 TDI 16V (BKD)		Diesel	FWD	1968	103	140	10.03-11.08	*	
2.0 TDI 16V 4motion (BKD)		Diesel	4WD	1968	103	140	08.04-11.08	*	
2.0 TDI 4motion (BMM)		Diesel	4WD	1968	103	140	01.07-11.08	*	
2.0 TDI (BMN)		Diesel	FWD	1968	125	170	11.05-11.08	*	
GOLF V / RABBIT V (1K1) 07.03-							Furgón/hatchback ()		
TDI		Diesel	FWD	1896	77	105	11.03-02.06	*	
GOLF V Variant / BORA V / JETTA V / VENTO V (1K5) 01.07-07.09							[CAMBIADO]:Break (Compact car-C Segment)		
1.4 (BUD)		Gasolina	FWD	1390	59	80	06.07-07.09	*	
1.4 TSI (CAXA)		Gasolina	FWD	1390	90	122	06.07-07.09	*	
1.4 TSI (BMY)		Gasolina	FWD	1390	103	140	06.07-07.09	*	
1.4 TSI (CAVD)		Gasolina	FWD	1390	118	160	07.08-07.09	*	
1.4 TSI (BLG)		Gasolina	FWD	1390	125	170	06.07-07.09	*	
1.6 (BSE)		Gasolina	FWD	1595	75	102	06.07-07.09	*	
1.6 (BSF)		Gasolina	FWD	1595	75	102	06.07-07.09	*	
1.6 (CCSA)		Gasolina	FWD	1595	75	102	06.07-07.09	*	
2.0 TFSI (BWA)		Gasolina	FWD	1984	147	200	06.07-07.09	*	
2.0 TFSI (CAWB)		Gasolina	FWD	1984	147	200	06.07-07.09	*	
2.0 TFSI (CBFA)		Gasolina	FWD	1984	147	200	06.07-07.09	*	
2.0 TFSI (CCTA)		Gasolina	FWD	1984	147	200	06.07-07.09	*	
1.6 MultiFuel (CCSA)		Gasol./Et anol	FWD	1595	75	102	11.07-07.09	*	
1.9 TDI (BLS)		Diesel	FWD	1896	77	105	06.07-07.09	*	
1.9 TDI (BXE)		Diesel	FWD	1896	77	105	06.07-07.09	*	
1.9 TDI 4motion (BLS)		Diesel	4WD	1896	77	105	01.08-07.09	*	
2.0 TDI (AZV)		Diesel	FWD	1968	100	136	06.07-07.09	*	
2.0 TDI		Diesel	RWD	1968	100	136	06.07-07.09	*	
2.0 TDI (BMM)		Diesel	FWD	1968	103	140	06.07-07.09	*	
2.0 TDI 16V (BKD)		Diesel	FWD	1968	103	140	06.07-07.09	*	
2.0 TDI 16V (CBDB)		Diesel	FWD	1968	103	140	06.07-07.09	*	
GOLF VI / JETTA VI (5K1) 10.08-12.14							[CAMBIADO]:Fastback (Compact car-C Segment)		
1.2 TSI (CBZA)		Gasolina	FWD	1197	63	86	05.10-11.12	*	
1.2 TSI (CBZB)		Gasolina	FWD	1197	77	105	11.08-11.12	*	
1.4 (CGGA)		Gasolina	FWD	1390	59	80	10.08-11.12	*	
1.4 TSI (CAXA)		Gasolina	FWD	1390	90	122	10.08-11.12	*	
1.4 TSI (CAVD)		Gasolina	FWD	1390	118	160	10.08-11.12	*	
1.4 TSI (CNWA)		Gasolina	FWD	1390	118	160	10.08-11.12	*	
1.4 TSI (CTHD)		Gasolina	FWD	1390	118	160	10.08-11.12	*	
1.6 (BSE)		Gasolina	FWD	1595	75	102	10.08-11.12	*	
1.6 (BSF)		Gasolina	FWD	1595	75	102	10.08-11.12	*	
1.6 (CCSA)		Gasolina	FWD	1595	75	102	10.08-11.12	*	

LISTA DE APLICACIONES - BUYERS GUIDE

1.6 (CMXA)		Gasolina	FWD	1595	75	102	10.08-11.12	*
1.8 TSI (CDAA)		Gasolina	FWD	1798	118	160	06.09-01.11	*
2.0 Flex		Gasolina	FWD	1984	88	120	10.08-	*
2.0 GTI (CBFA)		Gasolina	FWD	1984	147	200	06.09-11.13	*
2.0 GTI (CCTA)		Gasolina	FWD	1984	147	200	06.09-11.13	*
2.0 GTI (CCZA)		Gasolina	FWD	1984	147	200	06.09-11.13	*
2.0 GTI (CCZB)		Gasolina	FWD	1984	155	210	04.09-11.12	*
2.0 GTI (CDLG)		Gasolina	FWD	1984	173	235	05.11-11.12	*
2.0 R 4motion (CDLC)		Gasolina	4WD	1984	188	256	11.09-11.13	*
2.0 R 4motion (CRZA)		Gasolina	4WD	1984	188	256	11.09-11.13	*
2.0 R 4motion (CDLA)		Gasolina	4WD	1984	195	265	11.09-05.11	*
2.0 R 4motion (CDLF)		Gasolina	4WD	1984	199	270	11.09-11.12	*
2.5 (CBTA)		Gasolina	FWD	2480	125	170	07.09-05.13	*
2.5 (CBUA)		Gasolina	FWD	2480	125	170	07.09-05.13	*
1.6 BiFuel (CHGA)		Gasol./Gas (LPG)	FWD	1595	75	102	03.09-11.12	*
1.6 MultiFuel (CCSA)		Gasol./Etanol	FWD	1595	75	102	10.08-11.12	*
1.6 MultiFuel (CMXA)		Gasol./Etanol	FWD	1595	75	102	10.08-11.12	*
1.6 TDI (CAYB)		Diesel	FWD	1598	66	90	02.09-11.12	*
1.6 TDI (CAYC)		Diesel	FWD	1598	77	105	02.09-11.12	*
2.0 TDI (CBDC)		Diesel	FWD	1968	81	110	10.08-11.12	*
2.0 TDI (CLCA)		Diesel	FWD	1968	81	110	10.08-11.12	*
2.0 TDI (CBAA)		Diesel	FWD	1968	100	136	10.08-11.12	*
2.0 TDI (CFFA)		Diesel	FWD	1968	100	136	10.08-11.12	*
2.0 TDI (CBAB)		Diesel	FWD	1968	103	140	10.08-05.13	*
2.0 TDI (CFFB)		Diesel	FWD	1968	103	140	10.08-05.13	*
2.0 TDI (CJAA)		Diesel	FWD	1968	103	140	10.08-05.13	*
2.0 TDI 4motion (CBAB)		Diesel	4WD	1968	103	140	05.09-11.12	*
2.0 TDI 4motion (CFFB)		Diesel	4WD	1968	103	140	05.09-11.12	*
2.0 TDI (CBBB)		Diesel	FWD	1968	125	170	04.09-11.12	*
2.0 TDI (CFGB)		Diesel	FWD	1968	125	170	04.09-11.12	*
GOLF VI / JETTA VI (517) 03.11-						Cabrio (Compact car-C Segment)		
1.2 TSI (CBZB)		Gasolina	FWD	1197	77	105	03.11-05.16	*
1.2 TSI 16V (CJZA)		Gasolina	FWD	1197	77	105	11.13-05.16	*
1.2 TSI 16V (CYVD)		Gasolina	FWD	1197	77	105	11.13-05.16	*
1.4 TSI (CAXA)		Gasolina	FWD	1390	90	122	11.11-05.16	*
1.4 TSI (CAVD)		Gasolina	FWD	1390	118	160	03.11-05.16	*
1.4 TSI (CNWA)		Gasolina	FWD	1390	118	160	03.11-05.16	*
1.4 TSI (CTHD)		Gasolina	FWD	1390	118	160	03.11-05.16	*
1.4 TSI (CTKA)		Gasolina	FWD	1390	118	160	03.11-05.16	*
1.4 TSI (CXSB)		Gasolina	FWD	1395	92	125	11.13-05.16	*
1.4 TSI (CZCA)		Gasolina	FWD	1395	92	125	11.13-05.16	*
1.4 TSI (CHPB)		Gasolina	FWD	1395	110	150	11.13-05.16	*
1.4 TSI (CZDA)		Gasolina	FWD	1395	110	150	11.13-05.16	*
2.0 GTI (CCZB)		Gasolina	FWD	1984	155	211	05.12-05.16	*
2.0 TSI (CULC)		Gasolina	FWD	1984	162	220	11.13-05.16	*
2.0 R (CDLA)		Gasolina	FWD	1984	195	265	01.13-05.16	*
1.6 TDI (CAYC)		Diesel	FWD	1598	77	105	03.11-05.16	*
2.0 TDI (CUJA)		Diesel	FWD	1968	81	110	11.13-05.16	*
2.0 TDI (CFHC)		Diesel	FWD	1968	103	140	11.11-05.16	*
2.0 TDI (CUJB)		Diesel	FWD	1968	110	150	11.13-05.16	*

LISTA DE APLICACIONES - BUYERS GUIDE

GOLF VI / JETTA VI (5K1) 10.08-11.12					Furgón/hatchback (Compact car-C Segment)			
1.2 TSI (CBZA)		Gasolina	FWD	1197	63	86	05.10-11.12	*
1.2 TSI (CBZB)		Gasolina	FWD	1197	77	105	05.09-11.12	*
1.2 TSI (CBZB)		Gasolina	FWD	1197	77	105	11.09-08.14	*
1.4 TSI (CAXA)		Gasolina	FWD	1390	90	122	01.09-08.14	*
TSi (CAXA)		Gasolina	FWD	1390	90	122	10.08-11.12	*
1.4 TSI (CAVD)		Gasolina	FWD	1390	118	160	10.08-11.12	*
1.4 TSI (CAVD)		Gasolina	FWD	1390	118	160	01.09-09.12	*
2.0 GTI (CCZB)		Gasolina	FWD	1984	155	211	02.09-11.12	*
2.0 TSi R 4motion (CDLF)		Gasolina	4WD	1984	199	271	11.09-11.12	*
1.6 TDI (CAYB)		Diesel	FWD	1598	66	90	02.09-11.12	*
1.6 TDI (CAYB)		Diesel	FWD	1598	66	90	02.09-08.14	*
1.6 TDI (CAYC)		Diesel	FWD	1598	77	105	05.09-11.12	*
1.6 TDI (CAYC)		Diesel	FWD	1598	77	105	02.09-08.14	*
2.0 TDI (CFFB)		Diesel	FWD	1968	103	140	09.09-11.12	*
2.0 TDI (CJAA)		Diesel	FWD	1968	103	140	09.09-11.12	*
2.0 TDI (CFHC)		Diesel	FWD	1968	103	140	11.09-08.14	*
2.0 TDI (CFGB)		Diesel	FWD	1968	125	170	05.10-11.12	*
GOLF VI VAN Variant / JETTA VI (AJ5) 07.09-05.14					[CAMBIADO]:Furgón/Break (Compact car-C Segment)			
1.2 TSI (CBZB)		Gasolina	FWD	1197	77	105	09.09-05.14	*
1.4 TSI (CAXA)		Gasolina	FWD	1390	90	122	07.09-05.14	*
1.4 TSI (CAVD)		Gasolina	FWD	1390	118	160	07.09-10.12	*
1.6 TDI (CAYB)		Diesel	FWD	1598	66	90	12.09-10.12	*
1.6 TDI (CAYC)		Diesel	FWD	1598	77	105	07.09-05.14	*
2.0 TDI (CBDB)		Diesel	FWD	1968	103	140	07.09-05.14	*
2.0 TDI (CFHC)		Diesel	FWD	1968	103	140	07.09-05.14	*
GOLF VI Variant / JETTA VI (AJ5) 07.09-07.14					[CAMBIADO]:Break (Compact car-C Segment)			
1.2 TSI (CBZA)		Gasolina	FWD	1197	63	86	07.10-07.13	*
1.2 TSI (CBZB)		Gasolina	FWD	1197	77	105	07.09-07.13	*
1.4 (BUD)		Gasolina	FWD	1390	59	80	07.09-07.13	*
1.4 (CGGA)		Gasolina	FWD	1390	59	80	07.09-07.13	*
1.4 TSI (CAXA)		Gasolina	FWD	1390	90	122	07.09-07.13	*
1.4 TSI (CAVD)		Gasolina	FWD	1390	118	160	07.09-07.13	*
1.4 TSI (CNWA)		Gasolina	FWD	1390	118	160	07.09-07.13	*
1.4 TSI (CTHD)		Gasolina	FWD	1390	118	160	07.09-07.13	*
1.4 TSI (CTKA)		Gasolina	FWD	1390	118	160	07.09-07.13	*
1.6 (BSE)		Gasolina	FWD	1595	75	102	07.09-07.13	*
1.6 (BSF)		Gasolina	FWD	1595	75	102	07.09-07.13	*
1.6 (CCSA)		Gasolina	FWD	1595	75	102	07.09-07.13	*
2.0 TFSI (CCZA)		Gasolina	FWD	1984	147	200	07.09-07.13	*
2.5		Gasolina	FWD	2480	125	170	07.09-	*
1.6 BiFuel (BSF)		Gasol./Gas (LPG)	FWD	1595	75	102	07.09-12.10	*
1.6 MultiFuel (CMXA)		Gasol./Etanol	FWD	1595	75	102	07.10-07.13	*
1.6 TDI (CAYB)		Diesel	FWD	1598	66	90	12.09-07.13	*
1.6 TDI (CAYC)		Diesel	FWD	1598	77	105	07.09-07.13	*
1.6 TDI 4motion (CAYC)		Diesel	4WD	1598	77	105	07.09-07.13	*
2.0 TDI (CLCA)		Diesel	FWD	1968	81	110	01.10-07.13	*
2.0 TDI (CBDA)		Diesel	FWD	1968	100	136	07.09-07.13	*
2.0 TDI (CFHB)		Diesel	FWD	1968	100	136	07.09-07.13	*

LISTA DE APLICACIONES - BUYERS GUIDE

2.0 TDI (CBDB)		Diesel	FWD	1968	103	140	07.09-07.13	*	
2.0 TDI (CFHC)		Diesel	FWD	1968	103	140	07.09-07.13	*	
2.0 TDI (CJAA)		Diesel	FWD	1968	103	140	07.09-07.13	*	
2.0 TDI		Diesel	RWD	1968	103	140	07.09-07.13	*	
GOLF VII / JETTA VII (5G1, BQ1, BE1, BE2) 08.12-							[CAMBIADO]:Fastback (Compact car-C Segment)		
1.2 TSI (CJZB)		Gasolina	FWD	1197	63	86	08.12-03.17	*	
1.2 TSI (CYVA)		Gasolina	FWD	1197	63	86	08.12-03.17	*	
1.2 TSI (CJZA)		Gasolina	FWD	1197	77	105	11.12-08.20	*	
1.2 TSI (CYVB)		Gasolina	FWD	1197	81	110	04.14-03.17	*	
1.4 TSI (CMBA)		Gasolina	FWD	1395	90	122	11.12-03.17	*	
1.4 TSI (CXSA)		Gasolina	FWD	1395	90	122	11.12-03.17	*	
1.4 TSI (CZCA)		Gasolina	FWD	1395	92	125	05.14-08.20	*	
1.4 TSI (CHPA)		Gasolina	FWD	1395	103	140	08.12-08.20	*	
1.4 TSI (CPTA)		Gasolina	FWD	1395	103	140	08.12-08.20	*	
1.4 TSI (CHPB)		Gasolina	FWD	1395	110	150	05.14-03.21	*	
1.4 TSI (CZDA)		Gasolina	FWD	1395	110	150	05.14-03.21	*	
1.4 TSI (CZEA)		Gasolina	FWD	1395	110	150	05.14-03.21	*	
1.4 TSI (DGXA)		Gasolina	FWD	1395	110	150	05.14-03.21	*	
1.6 (CWVA)		Gasolina	FWD	1598	81	110	05.14-07.17	*	
2.0 GTI (CNTA)		Gasolina	FWD	1984	155	210	11.13-07.17	*	
2.0 GTI (CXCA)		Gasolina	FWD	1984	155	210	11.13-07.17	*	
2.0 GTI (CHHB)		Gasolina	FWD	1984	162	220	04.13-08.20	*	
2.0 GTI (CNTC)		Gasolina	FWD	1984	162	220	04.13-08.20	*	
2.0 GTI (CXCB)		Gasolina	FWD	1984	162	220	04.13-08.20	*	
2.0 GTI (CXDA)		Gasolina	FWD	1984	162	220	04.13-08.20	*	
2.0 GTI (CHHA)		Gasolina	FWD	1984	169	230	04.13-08.20	*	
2.0 GTI (CXDB)		Gasolina	FWD	1984	169	230	04.13-08.20	*	
2.0 GTI Clubsport (CJXE)		Gasolina	FWD	1984	195	265	02.16-03.17	*	
2.0 R 4motion (CJXB)		Gasolina	4WD	1984	206	280	11.13-03.17	*	
2.0 R		Gasolina	FWD	1984	213	290	11.13-	*	
2.0 R 4motion (CYFB)		Gasolina	4WD	1984	215	292	11.14-07.19	*	
2.0 R 4motion (DJJA)		Gasolina	4WD	1984	215	292	11.14-07.19	*	
2.0 R 4motion (DLRA)		Gasolina	4WD	1984	215	292	11.14-07.19	*	
2.0 R 4motion (CJXC)		Gasolina	4WD	1984	221	300	11.13-08.20	*	
2.0 R 4motion (DNUE)		Gasolina	4WD	1984	221	300	11.13-08.20	*	
2.0 GTI Clubsport S (CJXG)		Gasolina	FWD	1984	228	310	09.16-03.17	*	
1.4 TGI CNG (CPWA)		Gasol./Gas (CNG)	FWD	1395	81	110	06.13-07.18	*	
1.4 TGI CNG (CZBA)		Gasol./Gas (CNG)	FWD	1395	81	110	06.13-07.18	*	
1.4 TSI MultiFuel (CPVA)		Gasol./Etanol	FWD	1395	90	122	11.12-03.17	*	
1.4 TSI MultiFuel (CPVB)		Gasol./Etanol	FWD	1395	92	125	12.13-07.18	*	
1.4 GTE Hybrid (CUKB)		Gasol./eléc.	FWD	1395	150	204	05.14-08.20	*	
1.6 TDI (CLHB)		Diesel	FWD	1598	66	90	04.13-07.18	*	
1.6 TDI (CRKA)		Diesel	FWD	1598	66	90	04.13-07.18	*	
1.6 TDI (CXXA)		Diesel	FWD	1598	66	90	04.13-07.18	*	
1.6 TDI (DDYB)		Diesel	FWD	1598	66	90	04.13-07.18	*	
1.6 TDI 4motion (CLHA)		Diesel	4WD	1598	77	105	11.12-03.17	*	
1.6 TDI (CRKB)		Diesel	FWD	1598	81	110	01.13-03.17	*	

LISTA DE APLICACIONES - BUYERS GUIDE

1.6 TDI (CXXB)		Diesel	FWD	1598	81	110	01.13-03.17	*
1.6 TDI (DBKA)		Diesel	FWD	1598	81	110	01.13-03.17	*
1.6 TDI 4motion (CRKB)		Diesel	4WD	1598	81	110	01.13-03.17	*
1.6 TDI 4motion (CXXB)		Diesel	4WD	1598	81	110	01.13-03.17	*
2.0 TDI (CRLD)		Diesel	FWD	1968	81	110	11.12-08.20	*
2.0 TDI (CRVA)		Diesel	FWD	1968	81	110	11.12-08.20	*
2.0 TDI (CYKB)		Diesel	FWD	1968	81	110	11.12-08.20	*
2.0 TDI (DCYB)		Diesel	FWD	1968	81	110	11.12-08.20	*
2.0 TDI (DEJB)		Diesel	FWD	1968	81	110	11.12-08.20	*
2.0 TDI (DFGB)		Diesel	FWD	1968	81	110	11.12-08.20	*
2.0 TDI (CRBB)		Diesel	FWD	1968	105	143	08.12-08.20	*
2.0 TDI (CRVC)		Diesel	FWD	1968	105	143	08.12-08.20	*
2.0 TDI (CRBC)		Diesel	FWD	1968	110	150	08.12-08.20	*
2.0 TDI (CRLB)		Diesel	FWD	1968	110	150	08.12-08.20	*
2.0 TDI (CRMB)		Diesel	FWD	1968	110	150	08.12-08.20	*
2.0 TDI (CRUA)		Diesel	FWD	1968	110	150	08.12-08.20	*
2.0 TDI (DCYA)		Diesel	FWD	1968	110	150	08.12-08.20	*
2.0 TDI (DEJA)		Diesel	FWD	1968	110	150	08.12-08.20	*
2.0 TDI (DFGA)		Diesel	FWD	1968	110	150	08.12-08.20	*
2.0 TDI 4motion (CKFC)		Diesel	4WD	1968	110	150	11.12-08.20	*
2.0 TDI 4motion (CRBC)		Diesel	4WD	1968	110	150	11.12-08.20	*
2.0 TDI 4motion (CRLB)		Diesel	4WD	1968	110	150	11.12-08.20	*
2.0 TDI 4motion (CRMB)		Diesel	4WD	1968	110	150	11.12-08.20	*
2.0 TDI 4motion (DCYA)		Diesel	4WD	1968	110	150	11.12-08.20	*
2.0 GTD		Diesel	FWD	1968	130	177	11.16-	*
2.0 GTD (CUNA)		Diesel	FWD	1968	135	184	04.13-08.20	*
2.0 GTD (DGCA)		Diesel	FWD	1968	135	184	04.13-08.20	*
2.0 GTD (DJGA)		Diesel	FWD	1968	135	184	04.13-08.20	*
GOLF VII / JETTA VII (5G1, BQ1) 08.12-							Furgón/hatchback (Compact car-C Segment)	
1.2 TSI (CJZB)		Gasolina	FWD	1197	63	86	08.12-03.17	*
1.2 TSI (CJZA)		Gasolina	FWD	1197	77	105	11.12-03.17	*
1.4 TSI (CXSA)		Gasolina	FWD	1395	90	122	05.13-03.17	*
1.4 TSI (CHPA)		Gasolina	FWD	1395	103	140	08.12-03.17	*
2.0 GTI (CHHB)		Gasolina	FWD	1984	162	220	04.13-03.17	*
2.0 GTI (CHHA)		Gasolina	FWD	1984	169	230	04.15-03.17	*
1.6 TDI (CRKA)		Diesel	FWD	1598	66	90	04.13-03.17	*
1.6 TDI (CLHA)		Diesel	FWD	1598	77	105	08.12-03.17	*
1.6 TDI (CRKB)		Diesel	FWD	1598	81	110	11.13-03.17	*
1.6 TDI (CXXB)		Diesel	FWD	1598	81	110	11.13-03.17	*
2.0 TDI		Diesel	FWD	1968	110	150	05.13-05.14	*
2.0 TDI 4motion (CRBC)		Diesel	4WD	1968	110	150	05.13-05.14	*
2.0 GTD (CUNA)		Diesel	FWD	1968	135	184	04.13-03.17	*
GOLF VII ALLTRACK Variant (BA5, BV5) 12.14-							[CAMBIADO]:Break (Compact car-C Segment)	
1.8 TSI 4motion (CJSB)		Gasolina	4WD	1798	132	180	12.14-08.20	*
1.6 TDI 4motion (CRKB)		Diesel	4WD	1598	81	110	12.14-03.17	*
1.6 TDI 4motion (CXXB)		Diesel	4WD	1598	81	110	12.14-03.17	*
2.0 TDI 4motion (CRBC)		Diesel	4WD	1968	110	150	12.14-08.20	*
2.0 TDI 4motion (CRLB)		Diesel	4WD	1968	110	150	12.14-08.20	*
2.0 TDI 4motion (DCYA)		Diesel	4WD	1968	110	150	12.14-08.20	*
2.0 TDI 4motion (CUNA)		Diesel	4WD	1968	135	184	12.14-08.20	*

LISTA DE APLICACIONES - BUYERS GUIDE

2.0 TDI 4motion (DGCA)		Diesel	4WD	1968	135	184	12.14-08.20	*	
2.0 TDI 4motion (DJGA)		Diesel	4WD	1968	135	184	12.14-08.20	*	
GOLF VII VAN Variant / JETTA VII (BA5) 04.13-03.17							[CAMBIADO]:Furgón/Break (Compact car-C Segment)		
1.2 TSI (CJZB)		Gasolina	FWD	1197	63	86	05.13-03.17	*	
1.2 TSI (CYVA)		Gasolina	FWD	1197	63	86	05.13-03.17	*	
1.2 TSI (CJZA)		Gasolina	FWD	1197	77	105	04.13-03.17	*	
1.4 TSI (CXSA)		Gasolina	FWD	1395	90	122	05.13-03.17	*	
1.4 TSI (CHPA)		Gasolina	FWD	1395	103	140	05.13-03.17	*	
1.6 TDI (CLHB)		Diesel	FWD	1598	66	90	05.13-03.17	*	
1.6 TDI (CRKA)		Diesel	FWD	1598	66	90	05.13-03.17	*	
1.6 TDI (CXXA)		Diesel	FWD	1598	66	90	05.13-03.17	*	
1.6 TDI (CLHA)		Diesel	FWD	1598	77	105	05.13-03.17	*	
1.6 TDI 4motion (CLHA)		Diesel	4WD	1598	77	105	05.13-03.17	*	
1.6 TDI (CRKB)		Diesel	FWD	1598	81	110	05.13-03.17	*	
2.0 TDI (CRBC)		Diesel	FWD	1968	110	150	04.13-03.17	*	
2.0 TDI (CRLB)		Diesel	FWD	1968	110	150	04.13-03.17	*	
2.0 TDI 4motion (CRBC)		Diesel	4WD	1968	110	150	04.13-03.17	*	
2.0 TDI 4motion (CRLB)		Diesel	4WD	1968	110	150	04.13-03.17	*	
GOLF VII Variant / JETTA VII (BA5, BV5) 04.13-							[CAMBIADO]:Break (Compact car-C Segment)		
1.2 TSI (CJZB)		Gasolina	FWD	1197	63	86	05.13-03.17	*	
1.2 TSI (CYVA)		Gasolina	FWD	1197	63	86	05.13-03.17	*	
1.2 TSI (CJZA)		Gasolina	FWD	1197	77	105	04.13-08.20	*	
1.2 TSI MultiFuel		Gasolina	FWD	1197	77	105	04.13-	*	
1.2 TSI (CYVB)		Gasolina	FWD	1197	81	110	04.14-03.17	*	
1.4 TSI BiFuel		Gasolina	FWD	1395	81	110	09.13-	*	
1.4 TSI (CXSA)		Gasolina	FWD	1395	90	122	05.13-03.17	*	
1.4 TSI (CZCA)		Gasolina	FWD	1395	92	125	05.14-08.20	*	
1.4 TSI (CZDD)		Gasolina	FWD	1395	92	125	05.14-08.20	*	
1.4 TSI (CHPA)		Gasolina	FWD	1395	103	140	05.13-08.20	*	
1.4 TSI (CHPB)		Gasolina	FWD	1395	110	150	05.14-03.21	*	
1.4 TSI (CZDA)		Gasolina	FWD	1395	110	150	05.14-03.21	*	
1.4 TSI (DGXA)		Gasolina	FWD	1395	110	150	05.14-03.21	*	
1.6 (CWVA)		Gasolina	FWD	1598	81	110	05.14-07.17	*	
1.4 TGI CNG (CPWA)		Gasol./Gas (CNG)	FWD	1395	81	110	09.13-07.18	*	
1.4 TSI MultiFuel (CPVA)		Gasol./Etanol	FWD	1395	90	122	04.13-03.17	*	
1.4 TSI MultiFuel (CPVB)		Gasol./Etanol	FWD	1395	92	125	05.14-03.17	*	
1.6 TDI (CLHB)		Diesel	FWD	1598	66	90	05.13-07.18	*	
1.6 TDI (CRKA)		Diesel	FWD	1598	66	90	05.13-07.18	*	
1.6 TDI (CXXA)		Diesel	FWD	1598	66	90	05.13-07.18	*	
1.6 TDI (DDYB)		Diesel	FWD	1598	66	90	05.13-07.18	*	
1.6 TDI (CLHA)		Diesel	FWD	1598	77	105	05.13-03.17	*	
1.6 TDI 4motion (CLHA)		Diesel	4WD	1598	77	105	05.13-03.17	*	
1.6 TDI (CRKB)		Diesel	FWD	1598	81	110	05.13-03.17	*	
1.6 TDI (CXXB)		Diesel	FWD	1598	81	110	05.13-03.17	*	
1.6 TDI (DBKA)		Diesel	FWD	1598	81	110	05.13-03.17	*	
1.6 TDI 4motion (CRKB)		Diesel	4WD	1598	81	110	05.13-03.17	*	
1.6 TDI 4motion (CXXB)		Diesel	4WD	1598	81	110	05.13-03.17	*	
2.0 TDI (CRLD)		Diesel	FWD	1968	81	110	05.13-08.20	*	

LISTA DE APLICACIONES - BUYERS GUIDE

2.0 TDI (CRVA)		Diesel	FWD	1968	81	110	05.13-08.20	*
2.0 TDI (CYKB)		Diesel	FWD	1968	81	110	05.13-08.20	*
2.0 TDI (DCYB)		Diesel	FWD	1968	81	110	05.13-08.20	*
2.0 TDI (DEJB)		Diesel	FWD	1968	81	110	05.13-08.20	*
2.0 TDI (DFGB)		Diesel	FWD	1968	81	110	05.13-08.20	*
2.0 TDI (CRBC)		Diesel	FWD	1968	110	150	04.13-08.20	*
2.0 TDI (CRLB)		Diesel	FWD	1968	110	150	04.13-08.20	*
2.0 TDI (CRUA)		Diesel	FWD	1968	110	150	04.13-08.20	*
2.0 TDI (DCYA)		Diesel	FWD	1968	110	150	04.13-08.20	*
2.0 TDI (DEJA)		Diesel	FWD	1968	110	150	04.13-08.20	*
2.0 TDI (DFGA)		Diesel	FWD	1968	110	150	04.13-08.20	*
2.0 TDI 4motion (CRBC)		Diesel	4WD	1968	110	150	04.13-08.20	*
2.0 TDI 4motion (CRLB)		Diesel	4WD	1968	110	150	04.13-08.20	*
2.0 TDI 4motion (DCYA)		Diesel	4WD	1968	110	150	04.13-08.20	*
2.0 GTD		Diesel	FWD	1968	130	177	11.16-	*
2.0 GTD (CUNA)		Diesel	FWD	1968	135	184	01.15-07.19	*
2.0 GTD (DGCA)		Diesel	FWD	1968	135	184	01.15-07.19	*
2.0 GTD (DJGA)		Diesel	FWD	1968	135	184	01.15-07.19	*
GOLF PLUS V (5M1, 521) 12.04-12.13							[CAMBIADO]:Fastback (Compact car-C Segment)	
1.0		Gasolina	FWD	999	48	65	08.05-	*
1.0		Gasolina	FWD	999	53	72	10.05-	*
1.2 TSI (CBZB)		Gasolina	FWD	1197	77	105	11.09-12.13	*
1.4 16V (BCA)		Gasolina	FWD	1390	55	75	01.05-11.06	*
1.4 16V (BUD)		Gasolina	FWD	1390	59	80	05.06-12.13	*
1.4 16V (CGGA)		Gasolina	FWD	1390	59	80	05.06-12.13	*
1.4 FSI (BLN)		Gasolina	FWD	1390	66	90	07.05-11.06	*
1.4 TSI (CAXA)		Gasolina	FWD	1390	90	122	06.07-12.13	*
1.4 TSI (BMY)		Gasolina	FWD	1390	103	140	05.06-06.08	*
1.4 TSI (CAVD)		Gasolina	FWD	1390	118	160	06.08-12.13	*
1.4 TSI (CNWA)		Gasolina	FWD	1390	118	160	06.08-12.13	*
1.4 TSI (CTHD)		Gasolina	FWD	1390	118	160	06.08-12.13	*
1.4 TSI (BLG)		Gasolina	FWD	1390	125	170	05.06-06.08	*
1.6		Gasolina	FWD	1595	67	91	08.05-	*
1.6 (BSE)		Gasolina	FWD	1595	75	102	05.05-12.13	*
1.6 (BSF)		Gasolina	FWD	1595	75	102	05.05-12.13	*
1.6 (CCSA)		Gasolina	FWD	1595	75	102	05.05-12.13	*
1.6 (CMXA)		Gasolina	FWD	1595	75	102	05.05-12.13	*
1.6 FSI (BLF)		Gasolina	FWD	1598	85	115	12.04-05.08	*
1.8		Gasolina	FWD	1781	73	99	08.05-	*
2.0 FSI (BLR)		Gasolina	FWD	1984	110	150	05.05-06.08	*
2.0 FSI (BLY)		Gasolina	FWD	1984	110	150	05.05-06.08	*
2.0 FSI (BVY)		Gasolina	FWD	1984	110	150	05.05-06.08	*
2.0 FSI (BVZ)		Gasolina	FWD	1984	110	150	05.05-06.08	*
1.6 BiFuel (CHGA)		Gasol./Gas (LPG)	FWD	1595	75	102	05.09-12.13	*
1.6 MultiFuel (CCSA)		Gasol./Etanol	FWD	1595	75	102	11.07-12.13	*
1.6 MultiFuel (CMXA)		Gasol./Etanol	FWD	1595	75	102	11.07-12.13	*
1.8 Hybrid		Gasol./eléc.	FWD	1781	73	99	08.05-	*
1.6 TDI (CAYB)		Diesel	FWD	1598	66	90	02.09-12.13	*
1.6 TDI (CAYC)		Diesel	FWD	1598	77	105	03.09-12.13	*

LISTA DE APLICACIONES - BUYERS GUIDE

1.9 TDI (BRU)		Diesel	FWD	1896	66	90	05.05-12.08	*
1.9 TDI (BXF)		Diesel	FWD	1896	66	90	05.05-12.08	*
1.9 TDI (BXJ)		Diesel	FWD	1896	66	90	05.05-12.08	*
1.9 TDI (BKC)		Diesel	FWD	1896	77	105	01.05-01.09	*
1.9 TDI (BLS)		Diesel	FWD	1896	77	105	01.05-01.09	*
1.9 TDI (BXE)		Diesel	FWD	1896	77	105	01.05-01.09	*
2.0 TDI (CBDC)		Diesel	FWD	1968	81	110	01.09-12.13	*
2.0 TDI (CLCA)		Diesel	FWD	1968	81	110	01.09-12.13	*
2.0 TDI (BEE)		Diesel	FWD	1968	96	131	05.05-05.07	*
2.0 TDI (AZV)		Diesel	FWD	1968	100	136	05.05-12.13	*
2.0 TDI (CBDA)		Diesel	FWD	1968	100	136	05.05-12.13	*
2.0 TDI (CFHB)		Diesel	FWD	1968	100	136	05.05-12.13	*
2.0 TDI (BMM)		Diesel	FWD	1968	103	140	12.05-05.11	*
2.0 TDI 16V (BKD)		Diesel	FWD	1968	103	140	01.05-12.13	*
2.0 TDI 16V (CBDB)		Diesel	FWD	1968	103	140	01.05-12.13	*
2.0 TDI 16V (CFHC)		Diesel	FWD	1968	103	140	01.05-12.13	*
JETTA V / BORA / VENTO (1K2) 09.04-12.13							Sedán (Compact car-C Segment)	
1.4 TSI (CAXA)		Gasolina	FWD	1390	90	122	05.07-10.10	*
1.4 TSI (BMY)		Gasolina	FWD	1390	103	140	07.06-10.10	*
1.4 TSI (CAVD)		Gasolina	FWD	1390	118	160	07.08-10.10	*
1.4 TSI (BLG)		Gasolina	FWD	1390	125	170	07.06-10.10	*
1.6 (BGU)		Gasolina	FWD	1595	75	102	09.04-10.10	*
1.6 (BSE)		Gasolina	FWD	1595	75	102	09.04-10.10	*
1.6 (BSF)		Gasolina	FWD	1595	75	102	09.04-10.10	*
1.6 (CCSA)		Gasolina	FWD	1595	75	102	09.04-10.10	*
1.6 FSI (BLF)		Gasolina	FWD	1598	85	115	09.05-10.10	*
2.0 FSI (BLR)		Gasolina	FWD	1984	110	150	08.05-10.10	*
2.0 FSI (BLX)		Gasolina	FWD	1984	110	150	08.05-10.10	*
2.0 FSI (BLY)		Gasolina	FWD	1984	110	150	08.05-10.10	*
2.0 FSI (BVY)		Gasolina	FWD	1984	110	150	08.05-10.10	*
2.0 FSI (BVZ)		Gasolina	FWD	1984	110	150	08.05-10.10	*
2.0		Gasolina	FWD	1984	136	185	08.05-06.08	*
2.0 TFSI (AXX)		Gasolina	FWD	1984	147	200	10.05-10.10	*
2.0 TFSI (BPY)		Gasolina	FWD	1984	147	200	10.05-10.10	*
2.0 TFSI (BWA)		Gasolina	FWD	1984	147	200	10.05-10.10	*
2.0 TFSI (CAWB)		Gasolina	FWD	1984	147	200	10.05-10.10	*
2.0 TFSI (CBFA)		Gasolina	FWD	1984	147	200	10.05-10.10	*
2.0 TFSI (CCTA)		Gasolina	FWD	1984	147	200	10.05-10.10	*
2.5 (BGP)		Gasolina	FWD	2480	110	150	01.06-10.10	*
2.5 (BGQ)		Gasolina	FWD	2480	110	150	01.06-10.10	*
2.5 (BTK)		Gasolina	FWD	2480	110	150	01.06-10.10	*
2.5 (CBTA)		Gasolina	FWD	2480	125	170	07.08-10.10	*
2.5 (CBUA)		Gasolina	FWD	2480	125	170	07.08-10.10	*
2.5 (CCCA)		Gasolina	FWD	2480	125	170	07.08-10.10	*
1.6 MultiFuel (CCSA)		Gasol./Etanol	FWD	1595	75	102	01.08-10.10	*
1.6 TDI (CAYC)		Diesel	FWD	1598	77	105	06.09-10.10	*
1.9 TDI (BKC)		Diesel	FWD	1896	77	105	08.05-10.10	*
1.9 TDI (BLS)		Diesel	FWD	1896	77	105	08.05-10.10	*
1.9 TDI (BXE)		Diesel	FWD	1896	77	105	08.05-10.10	*
2.0 TDI (AZV)		Diesel	FWD	1968	100	136	09.05-10.10	*
2.0 TDI (CBDA)		Diesel	FWD	1968	100	136	09.05-10.10	*

LISTA DE APLICACIONES - BUYERS GUIDE

2.0 TDI (BMM)		Diesel	FWD	1968	103	140	10.05-10.10	*	
2.0 TDI 16V (BKD)		Diesel	FWD	1968	103	140	08.05-10.10	*	
2.0 TDI 16V (CBDB)		Diesel	FWD	1968	103	140	08.05-10.10	*	
2.0 TDI 16V (CBEA)		Diesel	FWD	1968	103	140	08.05-10.10	*	
2.0 TDI 16V (CJAA)		Diesel	FWD	1968	103	140	08.05-10.10	*	
2.0 TDI (BMN)		Diesel	FWD	1968	125	170	10.06-10.10	*	
2.0 TDI (CEGA)		Diesel	FWD	1968	125	170	10.06-10.10	*	
JETTA VI / VENTO (162, 163, AV3, AV2) 01.08-							Sedán (Compact car-C Segment)		
1.2 TSI (CBZB)		Gasolina	FWD	1197	77	105	10.10-12.17	*	
1.2 TSI 16V (CYVD)		Gasolina	FWD	1197	77	105	08.14-12.17	*	
1.4 TSI (CAXA)		Gasolina	FWD	1390	90	122	05.11-12.17	*	
1.4 TSI (CMSB)		Gasolina	FWD	1390	90	122	05.11-12.17	*	
1.4 TSI (CAVA)		Gasolina	FWD	1390	110	150	04.11-12.17	*	
1.4 TSI (CTHA)		Gasolina	FWD	1390	110	150	04.11-12.17	*	
1.4 TSI (CAVD)		Gasolina	FWD	1390	118	160	04.11-12.17	*	
1.4 TSI (CTHD)		Gasolina	FWD	1390	118	160	04.11-12.17	*	
1.4 TSI		Gasolina	FWD	1395	90	122	01.08-	*	
1.4 TSI		Gasolina	FWD	1395	90	122	01.08-	*	
1.4 TSI (CZCA)		Gasolina	FWD	1395	92	125	08.14-12.17	*	
1.4 TSI (CZDA)		Gasolina	FWD	1395	110	150	08.14-12.17	*	
1.4 TSI (CZTA)		Gasolina	FWD	1395	110	150	08.14-12.17	*	
1.6 (CFNB)		Gasolina	FWD	1598	63	86	03.13-03.16	*	
1.6 MPi (CWVB)		Gasolina	FWD	1598	66	90	09.15-04.18	*	
1.6 (CFNA)		Gasolina	FWD	1598	77	105	12.11-04.18	*	
1.6 (CLRA)		Gasolina	FWD	1598	77	105	12.11-04.18	*	
1.6 (CWVA)		Gasolina	FWD	1598	81	110	09.15-04.18	*	
1.8 TSI (CPKA)		Gasolina	FWD	1798	125	170	07.14-12.17	*	
1.8 TSI (CPRA)		Gasolina	FWD	1798	125	170	07.14-12.17	*	
2.0 (CBPA)		Gasolina	FWD	1984	85	115	06.10-12.17	*	
2.0 (CKJA)		Gasolina	FWD	1984	85	115	06.10-12.17	*	
2.0 TFSI (CBFA)		Gasolina	FWD	1984	147	200	12.10-07.14	*	
2.0 TFSI (CCTA)		Gasolina	FWD	1984	147	200	12.10-07.14	*	
2.0 TFSI (CCZA)		Gasolina	FWD	1984	147	200	12.10-07.14	*	
2.0 TSI (CPLA)		Gasolina	FWD	1984	155	211	12.12-12.17	*	
2.0 TSI (CPPA)		Gasolina	FWD	1984	155	211	12.12-12.17	*	
2.0 TSI		Gasolina	FWD	1995	147	200	01.08-	*	
2.0 TSI		Gasolina	FWD	1995	147	200	01.08-	*	
2.5 (CBTA)		Gasolina	FWD	2480	125	170	04.10-12.17	*	
2.5 (CBUA)		Gasolina	FWD	2480	125	170	04.10-12.17	*	
2.5 (CCCA)		Gasolina	FWD	2480	125	170	04.10-12.17	*	
1.4 TSI Hybrid (CNLA)		Gasol./el éc.	FWD	1395	125	170	04.11-12.17	*	
1.4 TSI Hybrid (CRJA)		Gasol./el éc.	FWD	1395	125	170	04.11-12.17	*	
1.6 TDI (CAYC)		Diesel	FWD	1598	77	105	04.10-07.15	*	
2.0 TDI (CLCA)		Diesel	FWD	1968	81	110	10.10-12.17	*	
2.0 TDI (CUUA)		Diesel	FWD	1968	81	110	10.10-12.17	*	
2.0 TDI (CFFB)		Diesel	FWD	1968	103	140	07.10-12.17	*	
2.0 TDI (CFHC)		Diesel	FWD	1968	103	140	07.10-12.17	*	
2.0 TDI (CJAA)		Diesel	FWD	1968	103	140	07.10-12.17	*	
2.0 TDI (CLCB)		Diesel	FWD	1968	103	140	07.10-12.17	*	
2.0 TDI (CUUB)		Diesel	FWD	1968	110	150	07.14-12.17	*	

LISTA DE APLICACIONES - BUYERS GUIDE

2.0 TDI (CVCA)		Diesel	FWD	1968	110	150	07.14-12.17	*	
2.0 TDI (DELA)		Diesel	FWD	1968	110	150	07.14-12.17	*	
2.0 TDI (DGMA)		Diesel	FWD	1968	110	150	07.14-12.17	*	
JETTA VII (BU3, BU4, BU5) 12.17-					Sedán (Compact car-C Segment)				
1.4 TSI (CWLA)		Gasolina	FWD	1395	110	150	12.17-	*	
1.4 TSI (CZDA)		Gasolina	FWD	1395	110	150	12.17-	*	
1.4 TSI (DGXA)		Gasolina	FWD	1395	110	150	12.17-	*	
1.4 TSI (DJXA)		Gasolina	FWD	1395	110	150	12.17-	*	
350 TSI		Gasolina	FWD	1984	169	230	12.18-	*	
250 Tsi		Gasol./Etanol	FWD	1395	110	150	05.18-	*	
LOAD UP (121, 122, BL1, BL2) 12.14-					Furgón/hatchback (LCVs-N1 Segment)				
1.0 (CHYA)		Gasolina	FWD	999	44	60	11.12-11.19	*	
1.0 (DAFA)		Gasolina	FWD	999	44	60	11.12-11.19	*	
1.0 EcoFuel (CPGA)		Gasol./Gas (CNG)	FWD	999	50	68	11.12-08.20	*	
e-Load Up (EABA)		Eléctrico	FWD		60	82	12.14-08.19	*	
PASSAT B6 (3C2) 03.05-12.13					Sedán (Large family car-D Segment)				
1.4 TSI (CAXA)		Gasolina	FWD	1390	90	122	05.07-07.10	*	
1.6 (BSE)		Gasolina	FWD	1595	75	102	05.05-07.10	*	
1.6 (BSF)		Gasolina	FWD	1595	75	102	05.05-07.10	*	
1.6 FSI (BLF)		Gasolina	FWD	1598	85	115	03.05-06.08	*	
1.8 TSI (CDAB)		Gasolina	FWD	1798	112	152	11.09-07.10	*	
1.8 TSI (CGYA)		Gasolina	FWD	1798	112	152	11.09-07.10	*	
1.8 TSI (BZB)		Gasolina	FWD	1798	118	160	05.07-07.10	*	
1.8 TSI (CDAA)		Gasolina	FWD	1798	118	160	05.07-07.10	*	
2.0 FSI (BLR)		Gasolina	FWD	1984	110	150	03.05-07.10	*	
2.0 FSI (BLY)		Gasolina	FWD	1984	110	150	03.05-07.10	*	
2.0 FSI (BVY)		Gasolina	FWD	1984	110	150	03.05-07.10	*	
2.0 FSI (BVZ)		Gasolina	FWD	1984	110	150	03.05-07.10	*	
2.0 FSI 4motion (BLX)		Gasolina	4WD	1984	110	150	09.05-07.10	*	
2.0 FSI 4motion (BLY)		Gasolina	4WD	1984	110	150	09.05-07.10	*	
2.0 FSI 4motion (BVX)		Gasolina	4WD	1984	110	150	09.05-07.10	*	
2.0 FSI (CCTB)		Gasolina	FWD	1984	125	170	08.07-07.10	*	
2.0 TFSI (AXX)		Gasolina	FWD	1984	147	200	07.05-07.10	*	
2.0 TFSI (BPY)		Gasolina	FWD	1984	147	200	07.05-07.10	*	
2.0 TFSI (BWA)		Gasolina	FWD	1984	147	200	07.05-07.10	*	
2.0 TFSI (CAWB)		Gasolina	FWD	1984	147	200	07.05-07.10	*	
2.0 TFSI (CBFA)		Gasolina	FWD	1984	147	200	07.05-07.10	*	
2.0 TFSI (CCTA)		Gasolina	FWD	1984	147	200	07.05-07.10	*	
2.0 TFSI (CCZA)		Gasolina	FWD	1984	147	200	07.05-07.10	*	
3.2 FSI 4motion (AXZ)		Gasolina	4WD	3168	184	250	11.05-07.10	*	
3.6 FSI		Gasolina	FWD	3597	206	280	09.05-	*	
3.6 R36 4motion (BWS)		Gasolina	4WD	3597	220	300	04.07-07.10	*	
1.4 TSI EcoFuel (CDGA)		Gasol./Gas (CNG)	FWD	1390	110	150	01.09-07.10	*	
1.6 TDI (CAYC)		Diesel	FWD	1598	77	105	08.09-07.10	*	
1.9 TDI (BKC)		Diesel	FWD	1896	77	105	03.05-07.10	*	
1.9 TDI (BLS)		Diesel	FWD	1896	77	105	03.05-07.10	*	
1.9 TDI (BXE)		Diesel	FWD	1896	77	105	03.05-07.10	*	
2.0 TDI (CBDC)		Diesel	FWD	1968	81	110	11.08-07.10	*	

LISTA DE APLICACIONES - BUYERS GUIDE

2.0 TDI (BWV)		Diesel	FWD	1968	88	120	11.05-05.07	*
2.0 TDI (BVE)		Diesel	FWD	1968	90	122	08.05-07.06	*
2.0 TDI (BMA)		Diesel	FWD	1968	100	136	03.05-11.10	*
2.0 TDI (CBAA)		Diesel	FWD	1968	100	136	03.05-11.10	*
2.0 TDI (BMP)		Diesel	FWD	1968	103	140	03.05-05.09	*
2.0 TDI 16V (BKP)		Diesel	FWD	1968	103	140	03.05-07.10	*
2.0 TDI 16V (CBAB)		Diesel	FWD	1968	103	140	03.05-07.10	*
2.0 TDI 16V 4motion (BKP)		Diesel	4WD	1968	103	140	03.05-08.10	*
2.0 TDI 16V 4motion (CBAB)		Diesel	4WD	1968	103	140	03.05-08.10	*
2.0 TDI 4motion (BMP)		Diesel	4WD	1968	103	140	03.05-05.09	*
2.0 BlueTDI (CBAC)		Diesel	FWD	1968	105	143	01.09-11.10	*
2.0 TDI (BUZ)		Diesel	FWD	1968	120	163	08.05-05.09	*
2.0 TDI (BMR)		Diesel	FWD	1968	125	170	08.05-07.10	*
2.0 TDI (CBBB)		Diesel	FWD	1968	125	170	08.05-07.10	*
2.0 TDI 4motion (CBBB)		Diesel	4WD	1968	125	170	05.09-07.10	*
PASSAT B6 CC (357) 02.08-12.13					Coupé (Large family car-D Segment)			
1.8 TSI (CDAB)		Gasolina	FWD	1798	112	152	11.08-05.10	*
1.8 TSI (CGYA)		Gasolina	FWD	1798	112	152	11.08-05.10	*
1.8 TSI (BZB)		Gasolina	FWD	1798	118	160	06.08-01.12	*
1.8 TSI (CDAA)		Gasolina	FWD	1798	118	160	06.08-01.12	*
2.0 TFSI (CAWB)		Gasolina	FWD	1984	147	200	06.08-01.12	*
2.0 TFSI (CBFA)		Gasolina	FWD	1984	147	200	06.08-01.12	*
2.0 TFSI (CCTA)		Gasolina	FWD	1984	147	200	06.08-01.12	*
2.0 TFSI (CCZA)		Gasolina	FWD	1984	147	200	06.08-01.12	*
2.0 TSI (CCZB)		Gasolina	FWD	1984	155	211	11.10-01.12	*
3.6 FSI 4motion (BLV)		Gasolina	4WD	3580	206	280	06.08-01.12	*
3.6 FSI 4motion (CNNA)		Gasolina	4WD	3580	206	280	06.08-01.12	*
3.6 FSI		Gasolina	FWD	3597	206	280	06.08-	*
3.6 FSI 4motion (BWS)		Gasolina	4WD	3597	220	300	02.08-12.11	*
1.4 TSI MultiFuel (CKMA)		Gasol./Etanol	FWD	1390	118	160	01.11-01.12	*
2.0 TDI (CBAA)		Diesel	FWD	1968	100	136	06.08-05.11	*
2.0 TDI (CFFA)		Diesel	FWD	1968	100	136	06.08-05.11	*
2.0 TDI (CBAB)		Diesel	FWD	1968	103	140	06.08-01.12	*
2.0 TDI (CFFB)		Diesel	FWD	1968	103	140	06.08-01.12	*
2.0 TDI 4motion (CBAB)		Diesel	4WD	1968	103	140	08.09-01.12	*
2.0 TDI 4motion (CFFB)		Diesel	4WD	1968	103	140	08.09-01.12	*
2.0 BlueTDI (CBAC)		Diesel	FWD	1968	105	143	05.09-11.10	*
2.0 TDI (CBBA)		Diesel	FWD	1968	120	163	02.08-05.09	*
2.0 TDI (CBBB)		Diesel	FWD	1968	125	170	06.08-01.12	*
2.0 TDI (CFGB)		Diesel	FWD	1968	125	170	06.08-01.12	*
2.0 TDI (CLLA)		Diesel	FWD	1968	125	170	06.08-01.12	*
2.0 TDI 4motion (CBBB)		Diesel	4WD	1968	125	170	11.09-01.12	*
2.0 TDI 4motion (CFGB)		Diesel	4WD	1968	125	170	11.09-01.12	*
PASSAT B6 Variant (3C5) 08.05-11.11					[CAMBIADO]:Break (Large family car-D Segment)			
1.4 TSI (CAXA)		Gasolina	FWD	1390	90	122	05.07-11.10	*
1.6 (BSE)		Gasolina	FWD	1595	75	102	08.05-11.10	*
1.6 (BSF)		Gasolina	FWD	1595	75	102	08.05-11.10	*
1.6 FSI (BLF)		Gasolina	FWD	1598	85	115	08.05-06.08	*
1.8 TSI (CDAB)		Gasolina	FWD	1798	112	152	11.09-11.10	*
1.8 TSI (CGYA)		Gasolina	FWD	1798	112	152	11.09-11.10	*

LISTA DE APLICACIONES - BUYERS GUIDE

1.8 TSI (BZB)		Gasolina	FWD	1798	118	160	05.07-10.11	*
1.8 TSI (CDAA)		Gasolina	FWD	1798	118	160	05.07-10.11	*
2.0 FSI (BLR)		Gasolina	FWD	1984	110	150	08.05-11.10	*
2.0 FSI (BLY)		Gasolina	FWD	1984	110	150	08.05-11.10	*
2.0 FSI (BVY)		Gasolina	FWD	1984	110	150	08.05-11.10	*
2.0 FSI (BVZ)		Gasolina	FWD	1984	110	150	08.05-11.10	*
2.0 FSI 4motion (BLX)		Gasolina	4WD	1984	110	150	09.05-11.10	*
2.0 FSI 4motion (BLY)		Gasolina	4WD	1984	110	150	09.05-11.10	*
2.0 FSI 4motion (BVX)		Gasolina	4WD	1984	110	150	09.05-11.10	*
2.0 FSI		Gasolina	FWD	1984	125	170	12.07-11.10	*
2.0 TFSI (AXX)		Gasolina	FWD	1984	147	200	08.05-11.10	*
2.0 TFSI (BPY)		Gasolina	FWD	1984	147	200	08.05-11.10	*
2.0 TFSI (BWA)		Gasolina	FWD	1984	147	200	08.05-11.10	*
2.0 TFSI (CAWB)		Gasolina	FWD	1984	147	200	08.05-11.10	*
2.0 TFSI (CBFA)		Gasolina	FWD	1984	147	200	08.05-11.10	*
2.0 TFSI (CCTA)		Gasolina	FWD	1984	147	200	08.05-11.10	*
2.0 TFSI (CCZA)		Gasolina	FWD	1984	147	200	08.05-11.10	*
3.2 FSI 4motion (AXZ)		Gasolina	4WD	3168	184	250	11.05-11.10	*
3.6 FSI		Gasolina	FWD	3597	206	280	09.05-	*
3.6 FSI		Gasolina	FWD	3597	206	280	09.05-	*
3.6 R36 4motion (BWS)		Gasolina	4WD	3597	220	300	04.07-11.10	*
1.4 TSI EcoFuel (CDGA)		Gasol./Gas (CNG)	FWD	1390	110	150	01.09-11.10	*
1.6 TDI (CAYC)		Diesel	FWD	1598	77	105	08.09-11.10	*
1.9 TDI (BKC)		Diesel	FWD	1896	77	105	08.05-11.10	*
1.9 TDI (BLS)		Diesel	FWD	1896	77	105	08.05-11.10	*
1.9 TDI (BXE)		Diesel	FWD	1896	77	105	08.05-11.10	*
2.0 TDI (CBDC)		Diesel	FWD	1968	81	110	11.08-11.10	*
2.0 TDI (BWV)		Diesel	FWD	1968	88	120	11.05-05.07	*
2.0 TDI (BVE)		Diesel	FWD	1968	90	122	08.05-02.06	*
2.0 TDI (BMA)		Diesel	FWD	1968	100	136	08.05-11.10	*
2.0 TDI (CBAA)		Diesel	FWD	1968	100	136	08.05-11.10	*
2.0 TDI (BMP)		Diesel	FWD	1968	103	140	08.05-05.09	*
2.0 TDI 16V (BKP)		Diesel	FWD	1968	103	140	08.05-11.10	*
2.0 TDI 16V (CBAB)		Diesel	FWD	1968	103	140	08.05-11.10	*
2.0 TDI 16V 4motion (BKP)		Diesel	4WD	1968	103	140	08.05-11.10	*
2.0 TDI 16V 4motion (CBAB)		Diesel	4WD	1968	103	140	08.05-11.10	*
2.0 TDI 4motion (BMP)		Diesel	4WD	1968	103	140	08.05-05.09	*
2.0 BlueTDI (CBAC)		Diesel	FWD	1968	105	143	01.09-11.10	*
2.0 TDI (BUZ)		Diesel	FWD	1968	120	163	08.05-05.09	*
2.0 TDI (BMR)		Diesel	FWD	1968	125	170	08.05-11.10	*
2.0 TDI (CBBB)		Diesel	FWD	1968	125	170	08.05-11.10	*
2.0 TDI 4motion (CBBB)		Diesel	4WD	1968	125	170	05.09-11.10	*
PASSAT B7 (365) 08.10-12.14							[CAMBIADO]:Furgón/Break (Large family car-D Segment)	
1.4 TSI (CAXA)		Gasolina	FWD	1390	90	122	08.10-12.14	*
1.8 TSI		Gasolina	FWD	1798	112	152	08.10-12.14	*
1.8 TSI (CDAA)		Gasolina	FWD	1798	118	160	08.10-12.14	*
2.0 TSI		Gasolina	FWD	1984	155	211	11.10-12.14	*
1.6 TDI (CAYC)		Diesel	FWD	1598	77	105	08.10-12.14	*
2.0 TDI		Diesel	FWD	1968	100	136	08.10-12.14	*
2.0 TDI (CFFB)		Diesel	FWD	1968	103	140	08.10-12.14	*

LISTA DE APLICACIONES - BUYERS GUIDE

2.0 TDI (CFGB)		Diesel	FWD	1968	125	170	08.10-12.14	*
2.0 TDI (CLLA)		Diesel	FWD	1968	125	170	08.10-12.14	*
2.0 TDI		Diesel	FWD	1968	130	177	08.10-12.14	*
PASSAT B7 (362) 08.10-04.16				Sedán (Large family car-D Segment)				
1.4 TSI (CAXA)		Gasolina	FWD	1390	90	122	08.10-12.14	*
1.4 TSI (CTHD)		Gasolina	FWD	1390	118	160	11.12-12.14	*
1.8 TSI (CDAB)		Gasolina	FWD	1798	112	152	02.11-12.14	*
1.8 TSI (CDAA)		Gasolina	FWD	1798	118	160	08.10-12.14	*
2.0 TSI (CCZB)		Gasolina	FWD	1984	155	210	11.10-12.14	*
3.6 FSI		Gasolina	FWD	3597	206	280	01.12-	*
3.6 FSI 4motion (BWS)		Gasolina	4WD	3597	220	300	01.11-12.14	*
1.4 TSI EcoFuel (CDGA)		Gasol./Gas (CNG)	FWD	1390	110	150	08.10-12.14	*
1.4 TSI MultiFuel (CKMA)		Gasol./Etanol	FWD	1390	118	160	11.10-12.14	*
1.6 TDI (CAYC)		Diesel	FWD	1598	77	105	08.10-12.14	*
2.0 TDI (CFFA)		Diesel	FWD	1968	100	136	08.10-12.14	*
2.0 TDI (CFFB)		Diesel	FWD	1968	103	140	08.10-12.14	*
2.0 TDI (CFFB)		Diesel	FWD	1968	103	140	04.11-06.15	*
2.0 TDI (CKRA)		Diesel	FWD	1968	103	140	04.11-06.15	*
2.0 TDI 4motion (CFFB)		Diesel	4WD	1968	103	140	08.10-12.14	*
2.0 TDI (CFGB)		Diesel	FWD	1968	125	170	08.10-12.14	*
2.0 TDI (CLLA)		Diesel	FWD	1968	125	170	08.10-12.14	*
2.0 TDI 4motion (CFGB)		Diesel	4WD	1968	125	170	08.10-01.13	*
2.0 TDI (CFGC)		Diesel	FWD	1968	130	177	12.12-12.14	*
2.0 TDI 4motion (CFGC)		Diesel	4WD	1968	130	177	01.13-12.14	*
PASSAT B7 ALLTRACK (365) 01.12-12.14				[CAMBIADO]:Break (Large family car-D Segment)				
1.8 TSI (CDAB)		Gasolina	FWD	1798	112	152	01.12-12.14	*
1.8 TSI (CDAA)		Gasolina	FWD	1798	118	160	01.12-12.14	*
2.0 TSI 4motion (CCZB)		Gasolina	4WD	1984	155	210	01.12-12.14	*
2.0 TDI (CFFB)		Diesel	FWD	1968	103	140	01.12-12.14	*
2.0 TDI 4motion (CFFB)		Diesel	4WD	1968	103	140	01.12-12.14	*
2.0 TDI 4motion (CFGB)		Diesel	4WD	1968	125	170	01.12-12.14	*
2.0 TDI 4motion (CFGC)		Diesel	4WD	1968	130	177	01.13-12.14	*
PASSAT B7 Variant (365) 08.10-12.15				[CAMBIADO]:Break (Large family car-D Segment)				
1.4 TSI (CAXA)		Gasolina	FWD	1390	90	122	08.10-12.14	*
1.4 TSI (CTHD)		Gasolina	FWD	1390	118	160	11.12-12.14	*
1.8 TSI (CDAB)		Gasolina	FWD	1798	112	152	02.11-12.14	*
1.8 TSI (CDAA)		Gasolina	FWD	1798	118	160	08.10-12.14	*
2.0 TSI (CCZB)		Gasolina	FWD	1984	155	210	11.10-12.15	*
3.6 FSI 4motion (BWS)		Gasolina	4WD	3597	220	300	01.11-12.14	*
1.4 TSI EcoFuel (CDGA)		Gasol./Gas (CNG)	FWD	1390	110	150	08.10-12.14	*
1.4 TSI MultiFuel (CKMA)		Gasol./Etanol	FWD	1390	118	160	11.10-12.14	*
1.6 TDI (CAYC)		Diesel	FWD	1598	77	105	08.10-12.14	*
2.0 TDI (CFFA)		Diesel	FWD	1968	100	136	08.10-12.14	*
2.0 TDI (CFFB)		Diesel	FWD	1968	103	140	08.10-12.14	*
2.0 TDI 4motion (CFFB)		Diesel	4WD	1968	103	140	08.10-12.14	*
2.0 TDI (CFGB)		Diesel	FWD	1968	125	170	08.10-12.14	*
2.0 TDI (CLLA)		Diesel	FWD	1968	125	170	08.10-12.14	*

LISTA DE APLICACIONES - BUYERS GUIDE

2.0 TDI 4motion (CFGB)		Diesel	4WD	1968	125	170	08.10-01.13	*	
2.0 TDI (CFGC)		Diesel	FWD	1968	130	177	12.12-12.14	*	
2.0 TDI 4motion (CFGC)		Diesel	4WD	1968	130	177	01.13-12.14	*	
PASSAT B8 (3G2, CB2) 08.14-					Sedán (Large family car-D Segment)				
1.4 TSI (CZCA)		Gasolina	FWD	1395	92	125	11.14-11.18	*	
1.4 TSI (CZDA)		Gasolina	FWD	1395	110	150	11.14-03.24	*	
1.4 TSI (CZEA)		Gasolina	FWD	1395	110	150	11.14-03.24	*	
1.4 TSI 4motion (CZEA)		Gasolina	4WD	1395	110	150	02.15-11.18	*	
1.8 TSI (CJSA)		Gasolina	FWD	1798	132	180	02.15-07.19	*	
1.8 TSI (CJSC)		Gasolina	FWD	1798	132	180	02.15-07.19	*	
2.0 TSI (CHHB)		Gasolina	FWD	1984	162	220	02.15-03.24	*	
2.0 TSI (CXDA)		Gasolina	FWD	1984	162	220	02.15-03.24	*	
2.0 TSI 4motion (CJXA)		Gasolina	4WD	1984	206	280	05.15-03.24	*	
1.6 TDI (DCXA)		Diesel	FWD	1598	88	120	08.14-11.20	*	
1.6 TDI (DCZA)		Diesel	FWD	1598	88	120	08.14-11.20	*	
2.0 TDI (CRLB)		Diesel	FWD	1968	110	150	11.14-03.24	*	
2.0 TDI (DBGA)		Diesel	FWD	1968	110	150	11.14-03.24	*	
2.0 TDI (DFGA)		Diesel	FWD	1968	110	150	11.14-03.24	*	
2.0 TDI (DSRA)		Diesel	FWD	1968	110	150	11.14-03.24	*	
2.0 TDI (DSRB)		Diesel	FWD	1968	110	150	11.14-03.24	*	
2.0 TDI 4motion (CRLB)		Diesel	4WD	1968	110	150	08.14-03.24	*	
2.0 TDI 4motion (DFEA)		Diesel	4WD	1968	110	150	08.14-03.24	*	
2.0 TDI 4motion (DFGA)		Diesel	4WD	1968	110	150	08.14-03.24	*	
2.0 TDI (CUPA)		Diesel	FWD	1968	135	184	07.15-05.16	*	
2.0 TDI (DDAA)		Diesel	FWD	1968	140	190	11.14-03.24	*	
2.0 TDI (DFCA)		Diesel	FWD	1968	140	190	11.14-03.24	*	
2.0 TDI (DFHA)		Diesel	FWD	1968	140	190	11.14-03.24	*	
2.0 TDI 4motion (DDAA)		Diesel	4WD	1968	140	190	11.14-03.24	*	
2.0 TDI 4motion (DFCA)		Diesel	4WD	1968	140	190	11.14-03.24	*	
2.0 TDI 4motion (DFHA)		Diesel	4WD	1968	140	190	11.14-03.24	*	
2.0 TDI 4motion (CUAA)		Diesel	4WD	1968	176	240	08.14-11.20	*	
PASSAT B8 ALLTRACK Variant (3G5, CB5) 05.15-					[CAMBIADO]:Break (Large family car-D Segment)				
2.0 TSI 4motion (CHHB)		Gasolina	4WD	1984	162	220	07.15-03.24	*	
2.0 TDI 4motion (CRLB)		Diesel	4WD	1968	110	150	05.15-11.17	*	
2.0 TDI 4motion (DFEA)		Diesel	4WD	1968	110	150	05.15-11.17	*	
2.0 TDI 4motion (CUPA)		Diesel	4WD	1968	135	184	07.15-05.16	*	
2.0 TDI 4motion (DDAA)		Diesel	4WD	1968	140	190	05.15-03.24	*	
2.0 TDI 4motion (DFCA)		Diesel	4WD	1968	140	190	05.15-03.24	*	
2.0 TDI 4motion (DFHA)		Diesel	4WD	1968	140	190	05.15-03.24	*	
2.0 TDI 4motion (CUAA)		Diesel	4WD	1968	176	240	05.15-11.20	*	
PASSAT B8 Variant (3G5, CB5) 08.14-					[CAMBIADO]:Break (Large family car-D Segment)				
1.4 TSI (CZCA)		Gasolina	FWD	1395	92	125	11.14-11.18	*	
1.4 TSI (CZDA)		Gasolina	FWD	1395	110	150	11.14-03.24	*	
1.4 TSI (CZEA)		Gasolina	FWD	1395	110	150	11.14-03.24	*	
1.4 TSI 4motion (CZEA)		Gasolina	4WD	1395	110	150	02.15-11.18	*	
1.8 TSI (CJSA)		Gasolina	FWD	1798	132	180	02.15-07.19	*	
1.8 TSI (CJSC)		Gasolina	FWD	1798	132	180	02.15-07.19	*	
2.0 TSI (CHHB)		Gasolina	FWD	1984	162	220	08.14-03.24	*	
2.0 TSI (CXDA)		Gasolina	FWD	1984	162	220	08.14-03.24	*	
2.0 TSI 4motion (CJXA)		Gasolina	4WD	1984	206	280	05.15-03.24	*	

LISTA DE APLICACIONES - BUYERS GUIDE

1.6 TDI (DCXA)		Diesel	FWD	1598	88	120	08.14-11.20	*
1.6 TDI (DCZA)		Diesel	FWD	1598	88	120	08.14-11.20	*
2.0 TDI (CRLB)		Diesel	FWD	1968	110	150	11.14-03.24	*
2.0 TDI (DBGA)		Diesel	FWD	1968	110	150	11.14-03.24	*
2.0 TDI (DFGA)		Diesel	FWD	1968	110	150	11.14-03.24	*
2.0 TDI (DSRA)		Diesel	FWD	1968	110	150	11.14-03.24	*
2.0 TDI (DSRB)		Diesel	FWD	1968	110	150	11.14-03.24	*
2.0 TDI 4motion (CRLB)		Diesel	4WD	1968	110	150	08.14-03.24	*
2.0 TDI 4motion (DFEA)		Diesel	4WD	1968	110	150	08.14-03.24	*
2.0 TDI 4motion (DFGA)		Diesel	4WD	1968	110	150	08.14-03.24	*
2.0 TDI (CUPA)		Diesel	FWD	1968	135	184	07.15-05.16	*
2.0 TDI (DDAA)		Diesel	FWD	1968	140	190	11.14-03.24	*
2.0 TDI (DFCA)		Diesel	FWD	1968	140	190	11.14-03.24	*
2.0 TDI (DFHA)		Diesel	FWD	1968	140	190	11.14-03.24	*
2.0 TDI 4motion (DDAA)		Diesel	4WD	1968	140	190	11.14-03.24	*
2.0 TDI 4motion (DFCA)		Diesel	4WD	1968	140	190	11.14-03.24	*
2.0 TDI 4motion (DFHA)		Diesel	4WD	1968	140	190	11.14-03.24	*
2.0 TDI 4motion (CUAA)		Diesel	4WD	1968	176	240	08.14-11.20	*
POLO V (6R1, 6C1) 03.09-						[CAMBIADO]:Fastback (Supermini car-B Segment)		
1.0 TSI (CHZB)		Gasolina	FWD	999	70	95	11.14-10.17	*
1.0 TSI (CHZC)		Gasolina	FWD	999	81	110	11.14-10.17	*
1.2 TSI (CBZC)		Gasolina	FWD	1197	66	90	05.11-05.14	*
1.2 TSI 16V (CJZC)		Gasolina	FWD	1197	66	90	02.14-10.17	*
1.2 TSI (CBZB)		Gasolina	FWD	1197	77	105	11.09-05.22	*
1.2 TSI (CJZD)		Gasolina	FWD	1197	81	110	01.14-10.17	*
1.4 (6R1) (CDDA)		Gasolina	FWD	1390	63	85	03.09-05.14	*
1.4 (6R1) (CGGB)		Gasolina	FWD	1390	63	85	03.09-05.14	*
1.4 (6R1) (CLPA)		Gasolina	FWD	1390	63	85	03.09-05.14	*
1.4 GTi (CAVE)		Gasolina	FWD	1390	132	180	05.10-05.14	*
1.4 GTi (CTHE)		Gasolina	FWD	1390	132	180	05.10-05.14	*
1.4 TSI (CPTA)		Gasolina	FWD	1395	103	140	10.12-05.14	*
1.4 TSI (CZEA)		Gasolina	FWD	1395	110	150	05.14-10.17	*
1.6		Gasolina	FWD	1598	63	86	05.10-	*
1.6 (CWVB)		Gasolina	FWD	1598	66	90	07.14-10.17	*
1.6 (CFNA)		Gasolina	FWD	1598	77	105	01.10-05.22	*
1.6 (CLSA)		Gasolina	FWD	1598	77	105	01.10-05.22	*
1.6 (CWVA)		Gasolina	FWD	1598	81	110	07.14-10.17	*
1.8 GTI		Gasolina	FWD	1798	136	185	11.14-	*
1.8 GTI (DAJA)		Gasolina	FWD	1798	141	192	11.14-10.17	*
1.8 GTI (DAJB)		Gasolina	FWD	1798	141	192	11.14-10.17	*
1.8 GTI 230 (DAJA)		Gasolina	FWD	1798	169	230	04.16-10.17	*
2.0 R WRC (CDLJ)		Gasolina	FWD	1984	162	220	08.13-05.14	*
1.4 TDI (CUSB)		Diesel	FWD	1422	66	90	02.14-10.17	*
1.4 TDI (CUTA)		Diesel	FWD	1422	77	105	05.14-10.17	*
1.4 TDI (CYZA)		Diesel	FWD	1422	77	105	05.14-10.17	*
1.6 TDI (CAYB)		Diesel	FWD	1598	66	90	06.09-05.14	*
1.6 TDI (CAYC)		Diesel	FWD	1598	77	105	06.09-08.15	*
1.6 TDI (CLNA)		Diesel	FWD	1598	77	105	06.09-08.15	*
POLO V (6R1, 6C1) 03.09-						Furgón/hatchback (Supermini car-B Segment)		
1.0 TSI (CHZB)		Gasolina	FWD	999	70	95	11.14-10.17	*

LISTA DE APLICACIONES - BUYERS GUIDE

1.0 TSI		Gasolina	FWD	999	81	110	11.14-10.17	*	
1.2 TSI (CJZC)		Gasolina	FWD	1197	66	90	02.14-10.17	*	
1.2 TSI (CBZC)		Gasolina	FWD	1197	66	90	05.11-05.14	*	
1.2 TSI (CBZB)		Gasolina	FWD	1197	77	105	11.09-05.14	*	
1.2 TSI (CJZD)		Gasolina	FWD	1197	81	110	01.14-10.17	*	
1.4 (CGGB)		Gasolina	FWD	1390	63	86	03.09-05.14	*	
1.4 GTi (CAVE)		Gasolina	FWD	1390	132	179	05.10-05.14	*	
1.4 TSI (CZEA)		Gasolina	FWD	1395	110	150	05.14-10.17	*	
1.4 TDI (CUSB)		Diesel	FWD	1422	66	90	02.14-10.17	*	
1.4 TDI		Diesel	FWD	1422	77	105	03.14-10.17	*	
1.6 TDI (CAYB)		Diesel	FWD	1598	66	90	06.09-05.14	*	
1.6 TDI (CAYC)		Diesel	FWD	1598	77	105	06.09-05.14	*	
POLO V / VENTO (602, 604, 612, 614) 05.09-					Sedán (Supermini car-B Segment)				
1.4 TSI (CZCA)		Gasolina	FWD	1395	92	125	05.16-03.20	*	
1.6 (CWVB)		Gasolina	FWD	1598	66	90	05.15-03.20	*	
1.6 (CWVA)		Gasolina	FWD	1598	81	110	05.15-03.20	*	
SCIROCCO III (137, 138) 05.08-					Coupé (Sport compact car-C Segment)				
1.4 TSI (CAXA)		Gasolina	FWD	1390	90	122	08.08-11.17	*	
1.4 TSI (CMSB)		Gasolina	FWD	1390	90	122	08.08-11.17	*	
1.4 TSI (CAVD)		Gasolina	FWD	1390	118	160	05.08-11.17	*	
1.4 TSI (CNWA)		Gasolina	FWD	1390	118	160	05.08-11.17	*	
1.4 TSI (CTHD)		Gasolina	FWD	1390	118	160	05.08-11.17	*	
1.4 TSI (CTKA)		Gasolina	FWD	1390	118	160	05.08-11.17	*	
1.4 TSI (CXSBB)		Gasolina	FWD	1395	92	125	11.13-11.17	*	
1.4 TSI (CZCA)		Gasolina	FWD	1395	92	125	11.13-11.17	*	
1.4 TSI (CZDA)		Gasolina	FWD	1395	110	150	07.15-11.17	*	
2.0 TSI (CULA)		Gasolina	FWD	1984	132	180	11.13-11.17	*	
2.0 TFSI (CAWB)		Gasolina	FWD	1984	147	200	05.08-11.09	*	
2.0 TSI (CCZB)		Gasolina	FWD	1984	155	210	11.09-11.17	*	
2.0 TSI (CULC)		Gasolina	FWD	1984	162	220	11.13-11.17	*	
2.0 R (CDLK)		Gasolina	FWD	1984	206	280	05.14-11.17	*	
2.0 TDI (CFHB)		Diesel	FWD	1968	100	136	11.10-11.17	*	
2.0 TDI (CBDB)		Diesel	FWD	1968	103	140	08.08-11.17	*	
2.0 TDI (CFHC)		Diesel	FWD	1968	103	140	08.08-11.17	*	
2.0 TDI (CUUB)		Diesel	FWD	1968	110	150	11.13-11.17	*	
2.0 TDI (CBBB)		Diesel	FWD	1968	125	170	05.09-11.17	*	
2.0 TDI (CFGB)		Diesel	FWD	1968	125	170	05.09-11.17	*	
2.0 TDI (CFGC)		Diesel	FWD	1968	130	177	01.13-11.17	*	
2.0 TDI (CUWA)		Diesel	FWD	1968	135	184	05.14-11.17	*	
2.0 TDI (CUXA)		Diesel	FWD	1968	135	184	05.14-11.17	*	
SCIROCCO III (137) 06.08-05.14					Furgón/hatchback (Sport compact car-C Segment)				
1.4 TSI (CAXA)		Gasolina	FWD	1390	90	122	08.08-05.14	*	
1.4 TSI (CAVD)		Gasolina	FWD	1390	118	160	06.08-05.14	*	
2.0 TFSI (CCZB)		Gasolina	FWD	1984	155	211	11.09-05.14	*	
2.0 TDI (CBDB)		Diesel	FWD	1968	103	140	08.08-05.14	*	
2.0 TDI (CFHC)		Diesel	FWD	1968	103	140	08.08-05.14	*	
2.0 TDI (CBBB)		Diesel	FWD	1968	125	170	05.09-05.14	*	
2.0 TDI (CFGB)		Diesel	FWD	1968	125	170	05.09-05.14	*	

LISTA DE APLICACIONES - BUYERS GUIDE

TOURAN (1T1, 1T2) 02.03-01.11					MPV (Compact MPV-M1 Segment)				
1.4 TSI (BMY)		Gasolina	FWD	1390	103	140	02.06-05.10	*	
1.4 TSI (CAVC)		Gasolina	FWD	1390	103	140	02.06-05.10	*	
1.4 TSI (BLG)		Gasolina	FWD	1390	125	170	11.06-05.10	*	
1.4 TSI (CAVB)		Gasolina	FWD	1390	125	170	11.06-05.10	*	
1.6 (BGU)		Gasolina	FWD	1595	75	102	07.03-05.10	*	
1.6 (BSE)		Gasolina	FWD	1595	75	102	07.03-05.10	*	
1.6 (BSF)		Gasolina	FWD	1595	75	102	07.03-05.10	*	
1.6 FSI (BAG)		Gasolina	FWD	1598	85	115	02.03-01.07	*	
1.6 FSI (BLF)		Gasolina	FWD	1598	85	115	02.03-01.07	*	
1.6 FSI (BLP)		Gasolina	FWD	1598	85	115	02.03-01.07	*	
2.0 FSI		Gasolina	FWD	1984	85	115	10.04-05.10	*	
2.0 FSI (AXW)		Gasolina	FWD	1984	110	150	10.03-01.07	*	
2.0 FSI (BLR)		Gasolina	FWD	1984	110	150	10.03-01.07	*	
2.0 FSI (BLX)		Gasolina	FWD	1984	110	150	10.03-01.07	*	
2.0 FSI (BLY)		Gasolina	FWD	1984	110	150	10.03-01.07	*	
2.0 FSI (BVY)		Gasolina	FWD	1984	110	150	10.03-01.07	*	
2.0 FSI (BVZ)		Gasolina	FWD	1984	110	150	10.03-01.07	*	
1.6 BiFuel (BSF)		Gasol./Gas (LPG)	FWD	1595	75	102	11.06-05.10	*	
1.9 TDI (BRU)		Diesel	FWD	1896	66	90	11.04-05.10	*	
1.9 TDI (BXF)		Diesel	FWD	1896	66	90	11.04-05.10	*	
1.9 TDI (BXJ)		Diesel	FWD	1896	66	90	11.04-05.10	*	
1.9 TDI (AVQ)		Diesel	FWD	1896	74	100	02.03-05.04	*	
1.9 TDI (BKC)		Diesel	FWD	1896	77	105	08.03-05.10	*	
1.9 TDI (BLS)		Diesel	FWD	1896	77	105	08.03-05.10	*	
1.9 TDI (BXE)		Diesel	FWD	1896	77	105	08.03-05.10	*	
2.0 TDI (AZV)		Diesel	FWD	1968	100	136	02.03-05.10	*	
2.0 TDI (BMM)		Diesel	FWD	1968	103	140	12.05-05.10	*	
2.0 TDI 16V (BKD)		Diesel	FWD	1968	103	140	08.03-05.10	*	
2.0 TDI (BMN)		Diesel	FWD	1968	125	170	12.05-05.10	*	
2.0 TDI (CFJA)		Diesel	FWD	1968	125	170	12.05-05.10	*	
1.4 TSI EcoFuel (CDGA)		CNG	FWD	1390	110	150	05.09-05.10	*	
2.0 EcoFuel (BSX)		CNG	FWD	1984	80	109	02.06-05.09	*	
TOURAN II / GOLF TOURAN (1T3) 05.10-05.15					Furgoneta/MPV (Compact MPV-M1 Segment)				
1.2 TSI		Gasolina	FWD	1197	77	105	05.10-05.15	*	
1.4 TSI		Gasolina	FWD	1390	103	140	05.10-05.15	*	
1.4 TSI		Gasolina	FWD	1390	125	170	05.10-05.15	*	
1.4 TSI EcoFuel		Gasol./Gas (CNG)	FWD	1390	110	150	05.10-05.15	*	
1.6 TDI		Diesel	FWD	1598	66	90	05.10-05.15	*	
1.6 TDI		Diesel	FWD	1598	77	105	05.10-05.15	*	
2.0 TDI		Diesel	FWD	1968	103	140	05.10-05.15	*	
2.0 TDI		Diesel	FWD	1968	125	170	05.10-01.13	*	
TOURAN II / GOLF TOURAN (1T3) 05.10-09.16					MPV (Compact MPV-M1 Segment)				
1.2 TSI (CBZB)		Gasolina	FWD	1197	77	105	05.10-05.15	*	
1.4 TSI (CAVC)		Gasolina	FWD	1390	103	140	05.10-05.15	*	
1.4 TSI (CTHC)		Gasolina	FWD	1390	103	140	05.10-05.15	*	
1.4 TSI (CAVB)		Gasolina	FWD	1390	125	170	05.10-05.15	*	
1.4 TSI (CTHB)		Gasolina	FWD	1390	125	170	05.10-05.15	*	

LISTA DE APLICACIONES - BUYERS GUIDE

1.4 TSI EcoFuel (CDGA)		Gasol./Gas (CNG)	FWD	1390	110	150	05.10-05.15	*
1.6 TDI (CAYB)		Diesel	FWD	1598	66	90	05.10-05.15	*
1.6 TDI (CAYC)		Diesel	FWD	1598	77	105	05.10-05.15	*
2.0 TDI (CFHF)		Diesel	FWD	1968	81	110	11.10-05.15	*
2.0 TDI (CLCA)		Diesel	FWD	1968	81	110	11.10-05.15	*
2.0 TDI (CFHC)		Diesel	FWD	1968	103	140	05.10-05.15	*
2.0 TDI (CFJA)		Diesel	FWD	1968	125	170	05.10-01.13	*
2.0 TDI (CFJB)		Diesel	FWD	1968	130	177	01.13-05.15	*
TOURAN VAN (1T1, 1T2) 02.03-05.10					Furgoneta/MPV (Compact MPV-M1 Segment)			
FSI		Gasolina	FWD	1598	85	116	02.03-11.06	*
2.0 FSI		Gasolina	FWD	1984	110	150	05.04-01.07	*
2.0 EcoFuel		Gasol./Gas (CNG)	FWD	1984	80	109	02.06-11.06	*
1.9 TDI		Diesel	FWD	1896	66	90	11.04-05.10	*
1.9 TDI		Diesel	FWD	1896	74	101	10.03-05.05	*
1.9 TDI		Diesel	FWD	1896	77	105	08.03-11.06	*
2.0 TDI		Diesel	FWD	1968	100	136	02.03-05.10	*
2.0 TDI		Diesel	FWD	1968	103	140	12.05-05.10	*
2.0 TDI		Diesel	FWD	1968	103	140	08.03-05.10	*
UP! (121, 122, BL1, BL2, BL3, 123) 08.11-					[CAMBIADO]:Fastback (City car-A Segment)			
1.0 (CHYA)		Gasolina	FWD	999	44	60	08.11-08.20	*
1.0 (CHYE)		Gasolina	FWD	999	44	60	08.11-08.20	*
1.0 (DAFA)		Gasolina	FWD	999	44	60	08.11-08.20	*
1.0 (CHYB)		Gasolina	FWD	999	55	75	08.11-11.19	*
1.0 (CWRA)		Gasolina	FWD	999	55	75	08.11-11.19	*
1.0		Gasolina	FWD	999	56	75	01.14-	*
1.0 TSI (CHZA)		Gasolina	FWD	999	66	90	05.16-08.19	*
1.0 TSI (DKLC)		Gasolina	FWD	999	66	90	05.16-08.19	*
1.0 GTI (DKRA)		Gasolina	FWD	999	85	115	11.17-11.23	*
1.0 EcoFuel (CPGA)		Gasol./Gas (CNG)	FWD	999	50	68	11.12-11.23	*
VENTO / JETTA VII (602, 604) 01.10-					Sedán (Compact car-C Segment)			
1.6		Gasolina	FWD	1598	77	105	07.10-	*
1.6 TDI		Diesel	RWD	1598	77	105	09.13-	*
VW (FAW)								
CADDY (9HB) 04.04-12.07					[CAMBIADO]:Furgón (LCVs-N1 Segment)			
1.6		Gasolina	FWD	1595	75	102	03.05-	*
2.0		Gasolina	FWD	1996	51	69	03.05-	*
SAGITAR III (0J3, 0J4) 03.19-					Sedán (Compact car-C Segment)			
200TSi		Gasolina	FWD	1197	85	116	03.19-	*
280TSi		Gasolina	FWD	1395	110	150	03.19-	*
VW (SVW)								
POLO PLUS III (C31) 06.19-					[CAMBIADO]:Fastback (Supermini car-B Segment)			
1.5		Gasolina	FWD	1498	83	113	06.19-	*
TOURAN II (9R1, 9R3) 11.04-					MPV (Compact MPV-M1 Segment)			
1.4 T		Gasolina	FWD	1390	96	131	12.10-	*
1.8 Turbo		Gasolina	FWD	1781	110	148	11.04-01.08	*

LISTA DE APLICACIONES - BUYERS GUIDE

2.0		Gasolina	FWD	1984	85	114	11.04-	*
2.0		Gasolina	FWD	1984	88	120	04.09-	*