

LISTA DE APLICACIONES - BUYERS GUIDE

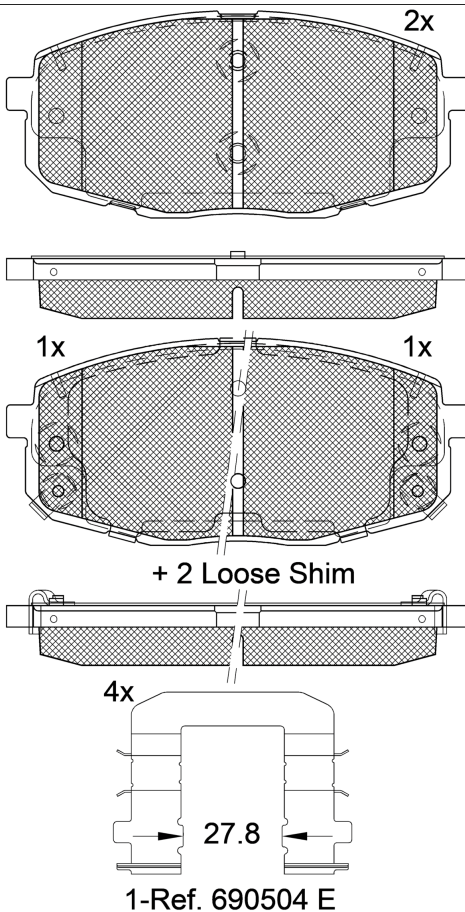
RB1540-208



Qty: 300

Weight: 1.780

O.E.M.	MAKE
58101-B2A20	HYUNDAI
58101-G3A00	HYUNDAI
58101-J9A00	HYUNDAI
58101-J9A50	HYUNDAI
58101-J9A55	HYUNDAI
58101-M0A00	HYUNDAI
58101-M0A10	HYUNDAI



RB1540-208



90R-01101/346

Mando

130.1x58.1x18.1

WVA	FMSI
23966	D2035-8505
23987	D2094-8505
23988	D2204-8505

Sin Filas



Trac.	CC	Kw	CV
-------	----	----	----



Front / Rear

CHANA

CHANGXING 03.19-

MPV ()

Model	Fuel	Trac.	CC	Kw	CV	Year	Notes
1.5 (JL473QF)	Gasolina	FWD	1480	79	107	04.20-	*
1.5 (DAM15B)	Gasolina	FWD	1498	84	114	03.19-	*
1.6 (JL478QEN)	Gasolina	FWD	1598	94	128	03.19-	*
EV (TZ230XSIN102)	Eléctrico	FWD		90	122	11.19-	*

CHANGAN

EADO 03.12-

Sedán ()

Model	Fuel	Trac.	CC	Kw	CV	Year	Notes
1.5	Gasolina	FWD	1499	125	170	01.14-	*
1.6	Gasolina	FWD	1598	92	125	03.12-12.18	*
300 Electric	Eléctrico	FWD		90	122	03.15-	*

EADO II 03.18-

Sedán ()

Model	Fuel	Trac.	CC	Kw	CV	Year	Notes
280TGDI (JL473ZQ3)	Gasolina	FWD	1392	116	158	07.19-	*
1.6 GDI (JL478QEN)	Gasolina	FWD	1598	94	128	03.18-	*
460 Electric (XTDM10)	Eléctrico	FWD		100	136	10.18-	*

EADO II XT 08.18-

[CAMBIADO]:Fastback ()

Model	Fuel	Trac.	CC	Kw	CV	Year	Notes
GDI (JL478QEN)	Gasolina	FWD	1598	94	128	08.18-	*

E-Pro 12.19-

SUV ()

Model	Fuel	Trac.	CC	Kw	CV	Year	Notes
EV	Eléctrico	FWD		120	163	12.19-	*

HYUNDAI

CRETA / ix25 / CANTUS (GS) 01.16-

SUV (Compact Crossover CUV-C Segment)

Model	Fuel	Trac.	CC	Kw	CV	Year	Notes
1.6 (G4FG)	Gasolina	FWD	1591	89	121	07.18-	*
1.6 (G4FG)	Gasolina	FWD	1591	90	123	01.16-01.21	*

LISTA DE APLICACIONES - BUYERS GUIDE

1.6 4WD (G4FG)		Gasolina	4WD	1591	90	123	08.16-01.21	*
2.0 (G4NA)		Gasolina	FWD	1999	110	150	01.16-01.21	*
2.0 4WD		Gasolina	4WD	1999	110	149	01.16-01.21	*
1.6 Flex		Gasol./Etanol	FWD	1591	96	130	01.17-10.24	*
1.4 CRDi (D4FC)		Diesel	FWD	1396	66	90	01.16-01.21	*
1.6 CRDI (D4FB)		Diesel	FWD	1582	94	128	01.16-01.21	*
ELANTRA VI / AVANTE (AD, ADA) 09.15-					Sedán (Compact car-C Segment)			
1.6 SR Turbo (G4FJ)		Gasolina	FWD	1591	150	204	02.16-12.20	*
KONA (OS, OSE, OSI) 06.17-					Furgoneta/SUV (Subcompact SUV-B Segment)			
1.0 T-GDI (G3LC)		Gasolina	FWD	998	88	120	07.17-	*
1.6 GDI Hybrid (G4LE)		Gasol./eléc.	FWD	1580	104	141	06.19-	*
KONA (OS, OSE, OSI) 06.17-					SUV (Subcompact SUV-B Segment)			
1.0 T-GDI (G3LC)		Gasolina	FWD	998	88	120	07.17-04.23	*
1.6 T-GDI (G4FJ)		Gasolina	FWD	1591	130	177	07.17-12.20	*
1.6 T-GDi 4WD (G4FJ)		Gasolina	4WD	1591	130	177	06.17-03.23	*
1.6 T-GDI		Gasolina	FWD	1598	146	199	11.20-04.23	*
1.6 T-GDi 4WD		Gasolina	4WD	1598	146	199	11.20-04.23	*
2.0 (G4NH)		Gasolina	FWD	1999	110	150	07.17-03.23	*
1.0 T-GDI hybrid 48V		Gasol./eléc.	FWD	998	88	120	11.20-04.23	*
1.6 CRDi hybrid 48V		Diesel/eléc.	FWD	1598	100	136	11.20-08.21	*
1.6 CRDi Hybrid 48V 4WD		Diesel/eléc.	4WD	1598	100	136	11.20-08.21	*
1.6 CRDI		Diesel	FWD	1582	85	116	07.17-	*
1.6 CRDi e-VGT (D4FB)		Diesel	FWD	1582	100	136	07.17-	*
1.6 CRDi e-VGT AWD (D4FB)		Diesel	4WD	1582	100	136	07.17-	*
1.6 CRDI (D4FE)		Diesel	FWD	1598	85	116	08.18-11.20	*
1.6 CRDi e-VGT (D4FE)		Diesel	FWD	1598	100	136	08.18-08.21	*
1.6 CRDi e-VGT AWD (D4FE)		Diesel	4WD	1598	100	136	08.18-08.21	*
HYUNDAI (BEIJING)								
ELANTRA / YUEDONG (HD) 04.08-					Sedán (Compact car-C Segment)			
1.6		Gasolina	FWD	1591	90	122	11.09-	*
1.8		Gasolina	FWD	1795	96	131	04.08-	*
i30 (FD) 07.09-12.14					[CAMBIADO]:Fastback (Compact car-C Segment)			
1.6		Gasolina	FWD	1591	89	121	07.09-	*
2.0		Gasolina	FWD	1975	101	137	07.09-	*
ix25 (GC) 10.14-					Closed SUV (Compact SUV-J Segment)			
1.6		Gasolina	FWD	1591	91	125	10.14-	*
2.0		Gasolina	FWD	1999	118	160	10.14-	*
2.0		Gasolina	FWD	1999	118	160	10.14-	*
ix25 (GC) 10.14-					SUV (Compact SUV-J Segment)			
1.6 T-GDI (G4FJ)		Gasolina	FWD	1591	118	160	09.16-	*
KIA								
CERATO II / FORTE II / K3 II (TD) 01.09-					[CAMBIADO]:Fastback (Compact car-C Segment)			
1.6 (G4FC)		Gasolina	FWD	1591	91	124	02.09-10.13	*
2.0		Gasolina	FWD	1998	115	156	01.09-12.13	*
2.4		Gasolina	FWD	2359	129	175	09.10-12.13	*

LISTA DE APLICACIONES - BUYERS GUIDE

CERATO II / FORTE II / K3 II (TD) 01.09-					Sedán (Compact car-C Segment)			
1.6 (G4FC)		Gasolina	FWD	1591	90	122	01.10-02.14	*
1.6 CVVT (G4FC)		Gasolina	FWD	1591	91	124	02.09-06.13	*
1.6 (G4FC)		Gasolina	FWD	1591	93	126	01.10-06.13	*
1.6 GDI		Gasolina	FWD	1591	103	140	01.10-06.13	*
2.0 CVVT (G4KD)		Gasolina	FWD	1998	110	150	07.09-06.13	*
2.0 (G4KD)		Gasolina	FWD	1998	115	156	01.09-06.13	*
2.0		Gasolina	FWD	1998	116	158	07.10-	*
1.6 Hybrid		Gasol./el éc.	FWD	1591	90	122	01.10-	*
CERATO II KOUP / FORTE KOUP / K3 (TD) 01.09-					Coupé (Compact car-C Segment)			
1.6 CVVT (G4FC)		Gasolina	FWD	1591	91	124	10.09-06.13	*
1.6 CVVT (G4FC)		Gasolina	FWD	1591	93	126	01.10-06.13	*
1.6 GDI		Gasolina	FWD	1591	103	140	01.10-06.13	*
2.0 CVVT (G4KD)		Gasolina	FWD	1998	115	156	01.09-06.13	*
2.0 CVVT		Gasolina	FWD	1998	118	160	09.12-02.14	*
2.4		Gasolina	FWD	2359	129	175	09.10-12.13	*
FORTE II (U.S.A.) 09.10-					[CAMBIADO]:Fastback (Compact car-C Segment)			
2.0		Gasolina	FWD	1998	116	158	09.11-	*
FORTE II (U.S.A.) 09.09-					Coupé (Compact car-C Segment)			
2.0		Gasolina	FWD	1998	116	158	09.09-	*
2.4		Gasolina	FWD	2359	127	173	09.09-	*
2.4		Gasolina	FWD	2359	129	175	09.12-	*
FORTE II (U.S.A.) 09.09-					Sedán (Compact car-C Segment)			
2.0		Gasolina	FWD	1998	116	158	09.09-	*
2.4		Gasolina	FWD	2359	129	175	09.09-	*
SELTOS (SP2, SP2I) 08.19-					SUV (Compact SUV-J Segment)			
2.0 MPi (SP2) (G4NH)		Gasolina	FWD	1999	110	150	08.19-	*
2.0 MPi 4WD (SP2) (G4NH)		Gasolina	4WD	1999	110	150	08.19-	*
SHUMA II / SPECTRA 01.10-					Coupé (Compact car-C Segment)			
1.6		Gasolina	FWD	1591	90	122	07.13-12.14	*
1.6		Gasolina	FWD	1591	91	124	01.10-12.11	*
1.6 T-GDI		Gasolina	FWD	1591	150	204	02.14-	*
2.0		Gasolina	FWD	1998	114	155	01.10-12.11	*
2.0		Gasolina	FWD	1998	116	158	07.13-12.14	*
2.0		Gasolina	FWD	1999	118	160	02.14-	*
SOUL II (PS) 02.14-					[CAMBIADO]:Fastback (Mini MPV-M1 Segment)			
1.6 CVVT (G4FG)		Gasolina	FWD	1591	91	124	02.14-12.18	*
1.6 CVVT		Gasolina	FWD	1591	95	129	07.16-12.18	*
1.6 GDI (G4FD)		Gasolina	FWD	1591	97	132	02.14-12.18	*
1.6 TGDI		Gasolina	FWD	1591	150	204	11.16-12.18	*
2.0 CVVT		Gasolina	FWD	1998	116	158	07.16-	*
2.0 CVVT (G4NA)		Gasolina	FWD	1999	113	154	02.14-12.18	*
1.6 LPG (G4FG)		Gasol./Gas (LPG)	FWD	1591	87	118	12.14-12.18	*
1.6 CVVT Flex		Gasol./Etanol	FWD	1591	94	128	09.14-05.20	*
EV Electric		Eléctrico	FWD		25	33	09.14-11.18	*
EV Electric		Eléctrico	FWD		26	36	03.17-11.18	*
EV Electric		Eléctrico	FWD		81	110	09.14-11.18	*

LISTA DE APLICACIONES - BUYERS GUIDE

1.6 CRDi 128 (D4FB)	Diesel	FWD	1582	94	126	02.14-12.18	*
1.6 CRDi 136 (D4FB)	Diesel	FWD	1582	100	136	04.15-12.18	*
SOUL III (SK3) 01.19-				[CAMBIADO]:Fastback (Mini MPV-M1 Segment)			
1.6 MPi (G4FG)	Gasolina	FWD	1591	91	124	01.19-	*
2.0 MPi (G4NA)	Gasolina	FWD	1999	110	150	01.19-	*
2.0 MPi (G4NH)	Gasolina	FWD	1999	110	150	01.19-	*
KIA (DYK)							
FORTE 06.09-				Sedán (Compact car-C Segment)			
1.6	Gasolina	FWD	1591	90	122	06.09-	*
2.0	Gasolina	FWD	1998	115	156	06.09-	*
KX3 (KC) 03.15-				Closed SUV (Compact SUV-J Segment)			
1.6	Gasolina	FWD	1591	92	125	03.15-	*
LIFAN							
MYWAY 01.16-				SUV ()			
1.5 (LF475Q-H)	Gasolina	RWD	1485	80	109	01.16-	*