

# LISTA DE APLICACIONES - BUYERS GUIDE

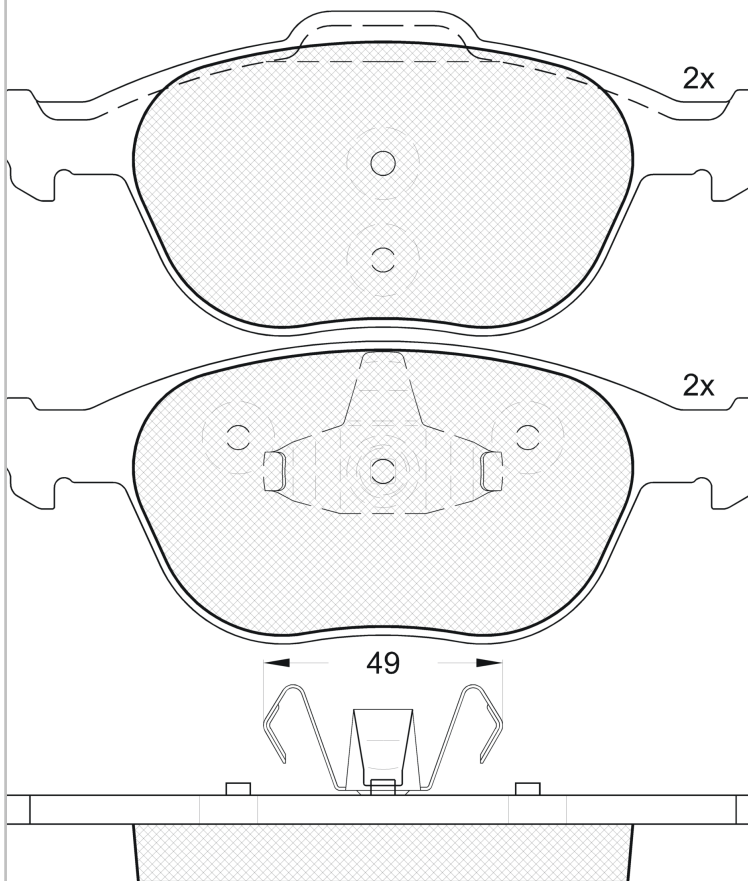
## RB1537



8 424073 131454

Qty: 300

Weight: 1.872



## RB1537



**E 9 90R-01111/776**

Ate - Teves

156.4x62.8x18.1

156.4x67.3x18.1

**WVA**

23440

23441

**FMSI**

D970-7871

Sin Filas

O.E.M.	MAKE
1 355 950	FORD
1 359 884	FORD
1 360 303	FORD
1 763 678	FORD
2 177 227	FORD
2M5V-2K021-AA	FORD
2M5Z-2001-AB	FORD
2T14-2K021-AC	FORD
2T1J-2K021-AA	FORD
4 346 371	FORD
4 387 361	FORD
4 427 737	FORD
4M5J-2K021-AA	FORD
5S6Y-2K021-AA	FORD
86 60 004 775	RENAULT
86 71 019 101	RENAULT
ME2T1J-2K021-AA	FORD
ME2T1J-2K021AB	FORD



Trac.	CC	Kw	CV
-------	----	----	----



Front / Rear

### FORD

					[CAMBIADO]:Fastback (Supermini car-B Segment)				
<b>FIESTA IV (JA_, JB_) 08.95-06.06</b>									
1.3 i (J4C)		Gasolina	FWD	1299	44	60	08.95-01.02	*	
1.3 i (J4J)		Gasolina	FWD	1299	44	60	08.95-01.02	*	
1.3 i (J4L)		Gasolina	FWD	1299	44	60	08.95-01.02	*	
1.3 i (J4Q)		Gasolina	FWD	1299	44	60	08.95-01.02	*	
1.3 i (J4R)		Gasolina	FWD	1299	44	60	08.95-01.02	*	
1.3 i (J4T)		Gasolina	FWD	1299	44	60	08.95-01.02	*	
1.3 i (JBC)		Gasolina	FWD	1299	44	60	08.95-01.02	*	
1.4 i 16V (FHA)		Gasolina	FWD	1388	66	90	04.96-01.02	*	
1.4 i 16V (FHE)		Gasolina	FWD	1388	66	90	04.96-01.02	*	
1.6 16V Sport (L1T)		Gasolina	FWD	1596	76	103	02.00-01.02	*	
1.6 16V Sport (L1V)		Gasolina	FWD	1596	76	103	02.00-01.02	*	
1.8 D (RTJ)		Diesel	FWD	1753	44	60	08.95-04.00	*	
1.8 D (RTK)		Diesel	FWD	1753	44	60	08.95-04.00	*	
1.8 DI (RTN)		Diesel	FWD	1753	55	75	04.00-01.02	*	
1.8 DI (RTP)		Diesel	FWD	1753	55	75	04.00-01.02	*	
1.8 DI (RTQ)		Diesel	FWD	1753	55	75	04.00-01.02	*	
<b>FIESTA IV / COURIER (JV_) 05.98-08.03</b>					<b>Furgón/hatchback (LCVs-N1 Segment)</b>				
1.4 (FHA)		Gasolina	FWD	1388	66	90	08.98-04.02	*	
D 1.8 (RTJ)		Diesel	FWD	1753	44	60	05.98-04.02	*	
D 1.8 (RTK)		Diesel	FWD	1753	44	60	05.98-04.02	*	
TD 1.8 (RTN)		Diesel	FWD	1753	55	75	03.00-08.03	*	
TD 1.8 (RTP)		Diesel	FWD	1753	55	75	03.00-08.03	*	

# LISTA DE APLICACIONES - BUYERS GUIDE

TD 1.8 (RTQ)		Diesel	FWD	1753	55	75	03.00-08.03	*
<b>FIESTA V / IKON (JH_, JD_) 11.01-12.14</b>					<b>[CAMBIADO]:Fastback (Supermini car-B Segment)</b>			
ST150 (N4JB)		Gasolina	FWD	1999	110	150	03.05-06.08	*
<b>FOCUS (DAW, DBW) 09.98-11.09</b>					<b>[CAMBIADO]:Fastback (Compact car-C Segment)</b>			
ST170 (ALDA)		Gasolina	FWD	1988	127	173	03.02-11.04	*
RS (HMDA)		Gasolina	FWD	1988	158	215	10.02-11.04	*
<b>FOCUS Turnier (DNW) 02.99-12.07</b>					<b>[CAMBIADO]:Break (Compact car-C Segment)</b>			
ST170 (ALDA)		Gasolina	FWD	1988	127	173	08.02-11.04	*
<b>KA (RB_) 09.96-11.08</b>					<b>[CAMBIADO]:Fastback (City car-A Segment)</b>			
1.6 i (CDB)		Gasolina	FWD	1597	70	95	02.01-11.08	*
1.6 i (CDC)		Gasolina	FWD	1597	70	95	02.01-11.08	*
<b>PUMA (EC_) 03.97-06.02</b>					<b>Coupé (Sports car-S Segment)</b>			
1.4 16V (FHD)		Gasolina	FWD	1388	66	90	11.97-10.00	*
1.4 16V (FHF)		Gasolina	FWD	1388	66	90	11.97-10.00	*
1.6 16V (L1W)		Gasolina	FWD	1596	76	103	08.00-06.02	*
1.7 16V (MHA)		Gasolina	FWD	1679	92	125	03.97-06.02	*
1.7 16V (MHB)		Gasolina	FWD	1679	92	125	03.97-06.02	*
Racing ST 160 (MHA)		Gasolina	FWD	1679	114	155	06.99-06.02	*
<b>STREET KA (RL2) 03.03-07.05</b>					<b>Cabrio (City car-A Segment)</b>			
1.6 (CDRA)		Gasolina	FWD	1599	70	95	05.03-07.05	*
1.6 (CDRB)		Gasolina	FWD	1599	70	95	05.03-07.05	*
<b>TOURNEO CONNECT / TRANSIT CONNECT 06.02-12.13</b>					<b>MPV (Large MPV-M1 Segment)</b>			
1.8 16V (EYPA)		Gasolina	FWD	1796	85	116	06.02-12.13	*
1.8 16V (EYPB)		Gasolina	FWD	1796	85	116	06.02-12.13	*
1.8 16V (EYPC)		Gasolina	FWD	1796	85	116	06.02-12.13	*
1.8 16V (EYPD)		Gasolina	FWD	1796	85	116	06.02-12.13	*
1.8 TDCi /TDDi /DI (BHPA)		Diesel	FWD	1753	55	75	06.02-12.13	*
1.8 TDCi /TDDi /DI (P7PA)		Diesel	FWD	1753	55	75	06.02-12.13	*
1.8 TDCi /TDDi /DI (P7PB)		Diesel	FWD	1753	55	75	06.02-12.13	*
1.8 TDCi /TDDi /DI (R2PA)		Diesel	FWD	1753	55	75	06.02-12.13	*
1.8 TDCi (HCPA)		Diesel	FWD	1753	66	90	06.02-12.13	*
1.8 TDCi (HCPB)		Diesel	FWD	1753	66	90	06.02-12.13	*
1.8 TDCi (HCPC)		Diesel	FWD	1753	66	90	06.02-12.13	*
1.8 TDCi (HCPD)		Diesel	FWD	1753	66	90	06.02-12.13	*
1.8 TDCi (P9PA)		Diesel	FWD	1753	66	90	06.02-12.13	*
1.8 TDCi (P9PB)		Diesel	FWD	1753	66	90	06.02-12.13	*
1.8 TDCi (P9PC)		Diesel	FWD	1753	66	90	06.02-12.13	*
1.8 TDCi (P9PD)		Diesel	FWD	1753	66	90	06.02-12.13	*
1.8 TDCi (R3PA)		Diesel	FWD	1753	66	90	06.02-12.13	*
1.8 TDCi (RWPE)		Diesel	FWD	1753	66	90	06.02-12.13	*
1.8 TDCi (RWPF)		Diesel	FWD	1753	66	90	06.02-12.13	*
1.8 TDCi (RWPA)		Diesel	FWD	1753	81	110	08.06-12.13	*
1.8 TDCi (RWPB)		Diesel	FWD	1753	81	110	08.06-12.13	*
1.8 TDCi (RWPC)		Diesel	FWD	1753	81	110	08.06-12.13	*
1.8 TDCi (RWPD)		Diesel	FWD	1753	81	110	08.06-12.13	*
<b>TRANSIT CONNECT (P65_, P70_, P80_) 06.02-</b>					<b>Furgoneta/MPV (LCVs-N1 Segment)</b>			
1.8 16V (EYPA)		Gasolina	FWD	1796	85	116	06.02-12.13	*
1.8 16V (EYPC)		Gasolina	FWD	1796	85	116	06.02-12.13	*

## LISTA DE APLICACIONES - BUYERS GUIDE

1.8 16V (EYPD)		Gasolina	FWD	1796	85	116	06.02-12.13	*
1.8 16V LPG (EYPA)		Gasol./Gas (LPG)	FWD	1796	85	116	06.02-12.13	*
1.8 16V LPG (EYPC)		Gasol./Gas (LPG)	FWD	1796	85	116	06.02-12.13	*
1.8 16V LPG (EYPD)		Gasol./Gas (LPG)	FWD	1796	85	116	06.02-12.13	*
1.8 DI (BHPA)		Diesel	FWD	1753	55	75	06.02-12.13	*
1.8 DI (P7PA)		Diesel	FWD	1753	55	75	06.02-12.13	*
1.8 DI (P7PB)		Diesel	FWD	1753	55	75	06.02-12.13	*
1.8 DI (R2PA)		Diesel	FWD	1753	55	75	06.02-12.13	*
1.8 TDCi (HCPA)		Diesel	FWD	1753	66	90	06.02-12.13	*
1.8 TDCi (HCPB)		Diesel	FWD	1753	66	90	06.02-12.13	*
1.8 TDCi (HCPC)		Diesel	FWD	1753	66	90	06.02-12.13	*
1.8 TDCi (HCPD)		Diesel	FWD	1753	66	90	06.02-12.13	*
1.8 TDCi (P9PA)		Diesel	FWD	1753	66	90	06.02-12.13	*
1.8 TDCi (P9PB)		Diesel	FWD	1753	66	90	06.02-12.13	*
1.8 TDCi (P9PC)		Diesel	FWD	1753	66	90	06.02-12.13	*
1.8 TDCi (P9PD)		Diesel	FWD	1753	66	90	06.02-12.13	*
1.8 TDCi (R3PA)		Diesel	FWD	1753	66	90	06.02-12.13	*
1.8 TDCi (RWPE)		Diesel	FWD	1753	66	90	06.02-12.13	*
1.8 TDCi (RWPF)		Diesel	FWD	1753	66	90	06.02-12.13	*
1.8 TDCi (RWPA)		Diesel	FWD	1753	81	110	08.06-12.13	*
1.8 TDCi (RWPB)		Diesel	FWD	1753	81	110	08.06-12.13	*
1.8 TDCi (RWPC)		Diesel	FWD	1753	81	110	08.06-12.13	*
1.8 TDCi (RWPD)		Diesel	FWD	1753	81	110	08.06-12.13	*