

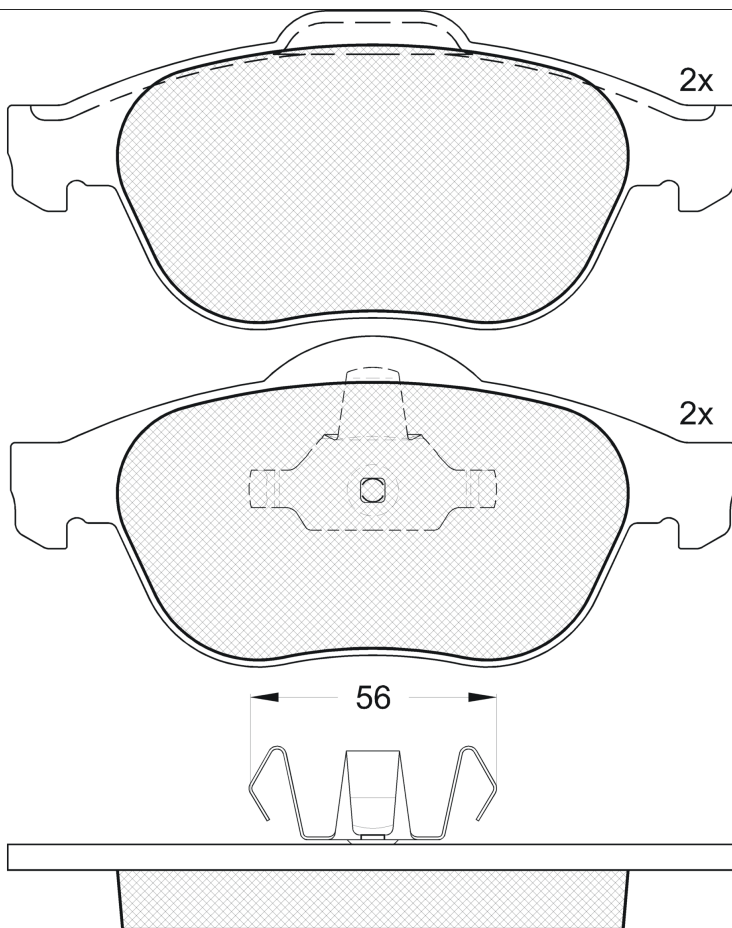
# LISTA DE APLICACIONES - BUYERS GUIDE

## RB1533



Qty: 300

Weight: 1.955



## RB1533



E 9 90R-01111/571

Ate - Teves

155.2x70.95x18.2

156.3x68.15x18.2

| O.E.M.        | MAKE    |
|---------------|---------|
| 41 06 077 16R | RENAULT |
| 410603759R    | RENAULT |
| 77 01 206 747 | RENAULT |
| 77 01 207 615 | RENAULT |
| 77 01 207 977 | RENAULT |
| 77 01 209 810 | RENAULT |
| 77 02 207 615 | RENAULT |
| 86 60 004 764 | RENAULT |
| 86 71 016 752 | RENAULT |

| WVA   | FMSI       |
|-------|------------|
| 23245 | D1501-8700 |
| 23248 |            |
| 23660 |            |

Sin Filas



| Trac. | CC | Kw | CV |
|-------|----|----|----|
|-------|----|----|----|



Front / Rear

### RENAULT

| ESPACE IV (JK0/1_) 11.02-                        |          |     |      |     |     | MPV (Large MPV-M1 Segment) |   |  |  |
|--|----------|-----|------|-----|-----|----------------------------|---|--|--|
| 2.0 (JK0K) (F4R 790)                             | Gasolina | FWD | 1998 | 98  | 133 | 11.02-12.15                | * |  |  |
| 2.0 (JK09) (F4R 792)                             | Gasolina | FWD | 1998 | 100 | 136 | 11.02-01.15                | * |  |  |
| 2.0 Turbo (JK0A, JK0B, JK0N) (F4R 794)           | Gasolina | FWD | 1998 | 120 | 163 | 11.02-02.06                | * |  |  |
| 2.0 Turbo (JK0A, JK0B, JK0N) (F4R 795)           | Gasolina | FWD | 1998 | 120 | 163 | 11.02-02.06                | * |  |  |
| 2.0 Turbo (JK0A, JK0B, JK0N) (F4R 796)           | Gasolina | FWD | 1998 | 120 | 163 | 11.02-02.06                | * |  |  |
| 2.0 Turbo (JK0A, JK0B, JK0N) (F4R 797)           | Gasolina | FWD | 1998 | 120 | 163 | 11.02-02.06                | * |  |  |
| 2.0 (JK0A, JK1D, JK0N) (F4R 796)                 | Gasolina | FWD | 1998 | 125 | 170 | 04.05-12.15                | * |  |  |
| 2.0 (JK0A, JK1D, JK0N) (F4R 797)                 | Gasolina | FWD | 1998 | 125 | 170 | 04.05-12.15                | * |  |  |
| 2.0 (JK0A, JK1D, JK0N) (F4R 896)                 | Gasolina | FWD | 1998 | 125 | 170 | 04.05-12.15                | * |  |  |
| 2.0 (JK0A, JK1D, JK0N) (F4R 897)                 | Gasolina | FWD | 1998 | 125 | 170 | 04.05-12.15                | * |  |  |
| 3.5 V6 (JK00, JK0F, JK0P, JK0S, JK0W) (V4Y 711)  | Gasolina | FWD | 3498 | 177 | 241 | 11.02-12.15                | * |  |  |
| 3.5 V6 (JK00, JK0F, JK0P, JK0S, JK0W) (V4Y 715)  | Gasolina | FWD | 3498 | 177 | 241 | 11.02-12.15                | * |  |  |
| 1.9 dCi (JK0U) (F9Q 820)                         | Diesel   | FWD | 1870 | 85  | 116 | 04.03-02.05                | * |  |  |
| 1.9 dCi (JK0U, JK0G) (F9Q 680)                   | Diesel   | FWD | 1870 | 88  | 120 | 11.02-01.15                | * |  |  |
| 1.9 dCi (JK0U, JK0G) (F9Q 820)                   | Diesel   | FWD | 1870 | 88  | 120 | 11.02-01.15                | * |  |  |
| 1.9 dCi (JK0U, JK0G) (F9Q 826)                   | Diesel   | FWD | 1870 | 88  | 120 | 11.02-01.15                | * |  |  |
| 2.0 dCi (JK02, JK03) (M9R 740)                   | Diesel   | FWD | 1995 | 96  | 131 | 01.06-12.15                | * |  |  |
| 2.0 dCi (JK02, JK03) (M9R 750)                   | Diesel   | FWD | 1995 | 96  | 131 | 01.06-12.15                | * |  |  |
| 2.0 dCi (JK02, JK03) (M9R 760)                   | Diesel   | FWD | 1995 | 96  | 131 | 01.06-12.15                | * |  |  |
| 2.0 dCi (JK02, JK03) (M9R 761)                   | Diesel   | FWD | 1995 | 96  | 131 | 01.06-12.15                | * |  |  |
| 2.0 dCi (JK02, JK03) (M9R 762)                   | Diesel   | FWD | 1995 | 96  | 131 | 01.06-12.15                | * |  |  |
| 2.0 dCi (JK02, JK03) (M9R 763)                   | Diesel   | FWD | 1995 | 96  | 131 | 01.06-12.15                | * |  |  |
| 2.0 dCi (JK01, JK02, JK1J, JK1K, JK1H) (M9R 740) | Diesel   | FWD | 1995 | 110 | 150 | 01.06-12.15                | * |  |  |

## LISTA DE APLICACIONES - BUYERS GUIDE

|   |          |     |      |     |     |             |   |
|---|----------|-----|------|-----|-----|-------------|---|
| 2.0 dCi (JK01, JK02, JK1J, JK1K, JK1H) (M9R 750)        | Diesel   | FWD | 1995 | 110 | 150 | 01.06-12.15 | * |
| 2.0 dCi (JK01, JK02, JK1J, JK1K, JK1H) (M9R 814)        | Diesel   | FWD | 1995 | 110 | 150 | 01.06-12.15 | * |
| 2.0 dCi (JK01, JK02, JK1J, JK1K, JK1H) (M9R 815)        | Diesel   | FWD | 1995 | 110 | 150 | 01.06-12.15 | * |
| 2.0 dCi (JK01, JK02, JK1J, JK1K, JK1H) (M9R 858)        | Diesel   | FWD | 1995 | 110 | 150 | 01.06-12.15 | * |
| 2.0 dCi (JK03, JK04, JK1C, JK1G, JK1J, JK1K) (M9R 760)  | Diesel   | FWD | 1995 | 127 | 173 | 01.06-12.15 | * |
| 2.0 dCi (JK03, JK04, JK1C, JK1G, JK1J, JK1K) (M9R 761)  | Diesel   | FWD | 1995 | 127 | 173 | 01.06-12.15 | * |
| 2.0 dCi (JK03, JK04, JK1C, JK1G, JK1J, JK1K) (M9R 762)  | Diesel   | FWD | 1995 | 127 | 173 | 01.06-12.15 | * |
| 2.0 dCi (JK03, JK04, JK1C, JK1G, JK1J, JK1K) (M9R 763)  | Diesel   | FWD | 1995 | 127 | 173 | 01.06-12.15 | * |
| 2.0 dCi (JK03, JK04, JK1C, JK1G, JK1J, JK1K) (M9R 812)  | Diesel   | FWD | 1995 | 127 | 173 | 01.06-12.15 | * |
| 2.0 dCi (JK03, JK04, JK1C, JK1G, JK1J, JK1K) (M9R 815)  | Diesel   | FWD | 1995 | 127 | 173 | 01.06-12.15 | * |
| 2.0 dCi (JK03, JK04, JK1C, JK1G, JK1J, JK1K) (M9R 859)  | Diesel   | FWD | 1995 | 127 | 173 | 01.06-12.15 | * |
| 2.2 dCi (JK07) (G9T 645)                                | Diesel   | FWD | 2188 | 102 | 139 | 02.06-12.15 | * |
| 2.2 dCi (JK0H) (G9T 742)                                | Diesel   | FWD | 2188 | 110 | 150 | 11.02-08.06 | * |
| 2.2 dCi (JK0H) (G9T 743)                                | Diesel   | FWD | 2188 | 110 | 150 | 11.02-08.06 | * |
| 3.0 dCi (P9X 701)                                       | Diesel   | FWD | 2958 | 120 | 163 | 09.05-01.15 | * |
| 3.0 dCi (P9X 715)                                       | Diesel   | FWD | 2958 | 120 | 163 | 09.05-01.15 | * |
| 3.0 dCi (JK0J, JK0V) (P9X 701)                          | Diesel   | FWD | 2958 | 130 | 177 | 11.02-08.06 | * |
| 3.0 dCi (JK0E, JK0Y) (P9X 715)                          | Diesel   | FWD | 2958 | 133 | 181 | 01.06-01.15 | * |
| <b>[CAMBIADO]:Fastback (Large family car-D Segment)</b> |          |     |      |     |     |             |   |
| <b>LAGUNA II (BG0/1_) 03.01-</b>                        |          |     |      |     |     |             |   |
| 1.6 16V (BG1G, BG1H) (K4M 716)                          | Gasolina | FWD | 1598 | 82  | 112 | 02.05-08.07 | * |
| 2.0 16V Turbo (BG0S, BG1L, BG1M) (F4R 764)              | Gasolina | FWD | 1998 | 120 | 163 | 01.03-03.05 | * |
| 2.0 16V Turbo (BG0S, BG1L, BG1M) (F4R 765)              | Gasolina | FWD | 1998 | 120 | 163 | 01.03-03.05 | * |
| 2.0 16V (BG03, BG0Z, BG0T, BG1Y) (F4R 784)              | Gasolina | FWD | 1998 | 125 | 170 | 01.05-09.07 | * |
| 2.0 16V (BG03, BG0Z, BG0T, BG1Y) (F4R 786)              | Gasolina | FWD | 1998 | 125 | 170 | 01.05-09.07 | * |
| 2.0 16V (BG03, BG0Z, BG0T, BG1Y) (F4R 787)              | Gasolina | FWD | 1998 | 125 | 170 | 01.05-09.07 | * |
| 2.0 16V (BG1Y) (F4R 886)                                | Gasolina | FWD | 1998 | 150 | 204 | 01.05-09.07 | * |
| 2.0 16V (BG1Y) (F4R 887)                                | Gasolina | FWD | 1998 | 150 | 204 | 01.05-09.07 | * |
| 3.0 V6 24V (BG01, BG02, BG0D, BG0Y) (L7X 731)           | Gasolina | FWD | 2946 | 152 | 207 | 03.01-08.07 | * |
| 2.9 V6 24V  | Gasolina | FWD | 2946 | 155 | 211 | 03.01-08.07 | * |
| 2.9 V6 24V  | Gasolina | FWD | 2946 | 157 | 210 | 09.02-12.05 | * |
| 2.0 dCi (BG1T) (M9R 740)                                | Diesel   | FWD | 1995 | 110 | 150 | 08.05-08.06 | * |
| 2.0 dCi (BG14, BG1S) (M9R 760)                          | Diesel   | FWD | 1995 | 127 | 173 | 01.06-08.07 | * |
| 2.2 dCi (BG09) (G9T 600)                                | Diesel   | FWD | 2188 | 85  | 116 | 04.04-10.05 | * |
| 2.2 dCi (G9T 600)                                       | Diesel   | FWD | 2188 | 102 | 140 | 05.05-08.07 | * |
| 2.2 dCi (G9T 605)                                       | Diesel   | FWD | 2188 | 102 | 140 | 05.05-08.07 | * |
| 2.2 dCi (G9T 706)                                       | Diesel   | FWD | 2188 | 102 | 140 | 05.05-08.07 | * |
| 2.2 dCi (G9T 707)                                       | Diesel   | FWD | 2188 | 102 | 140 | 05.05-08.07 | * |
| 2.2 dCi (BG0F) (G9T 700)                                | Diesel   | FWD | 2188 | 110 | 150 | 10.01-08.06 | * |
| 2.2 dCi (BG0F) (G9T 702)                                | Diesel   | FWD | 2188 | 110 | 150 | 10.01-08.06 | * |
| <b>[CAMBIADO]:Break (Large family car-D Segment)</b>    |          |     |      |     |     |             |   |
| <b>LAGUNA II Grandtour (KG0/1_) 03.01-</b>              |          |     |      |     |     |             |   |
| 1.6 16V (K4M 716)                                       | Gasolina | FWD | 1598 | 82  | 112 | 02.05-08.07 | * |
| 2.0 16V Turbo (KG0S, KG1L, KG03) (F4R 764)              | Gasolina | FWD | 1998 | 120 | 163 | 01.03-08.05 | * |
| 2.0 16V Turbo (KG0S, KG1L, KG03) (F4R 765)              | Gasolina | FWD | 1998 | 120 | 163 | 01.03-08.05 | * |
| 2.0 16V (KG03, KG0Z, KG0T, KG1Y) (F4R 784)              | Gasolina | FWD | 1998 | 125 | 170 | 01.05-09.07 | * |
| 2.0 16V (KG03, KG0Z, KG0T, KG1Y) (F4R 786)              | Gasolina | FWD | 1998 | 125 | 170 | 01.05-09.07 | * |
| 2.0 16V (KG03, KG0Z, KG0T, KG1Y) (F4R 787)              | Gasolina | FWD | 1998 | 125 | 170 | 01.05-09.07 | * |
| 2.0 16V (KG1Y) (F4R 886)                                | Gasolina | FWD | 1998 | 150 | 204 | 01.05-09.07 | * |

# LISTA DE APLICACIONES - BUYERS GUIDE

|  |  |          |     |      |     |     |  |   |  |
|--|--|----------|-----|------|-----|-----|--|---|--|
| 2.0 16V (KG1Y) (F4R 887)                   |  | Gasolina | FWD | 1998 | 150 | 204 | 01.05-09.07  | * |  |
| 3.0 V6 24V (KG0D, KG01) (L7X 731)          |  | Gasolina | FWD | 2946 | 152 | 207 | 03.01-12.07  | * |  |
| 2.9 V6 24V (L7X 731)                       |  | Gasolina | FWD | 2946 | 155 | 211 | 10.03-12.07  | * |  |
| 2.9 V6 24V                                 |  | Gasolina | FWD | 2946 | 157 | 210 | 09.02-12.05  | * |  |
| 2.0 dCi (KG1T) (M9R 740)                   |  | Diesel   | FWD | 1995 | 110 | 150 | 08.05-08.06  | * |  |
| 2.0 dCi (KG1S) (M9R 760)                   |  | Diesel   | FWD | 1995 | 127 | 173 | 01.06-12.07  | * |  |
| 2.2 dCi (KG09) (G9T 600)                   |  | Diesel   | FWD | 2188 | 85  | 116 | 04.04-10.05  | * |  |
| 2.2 dCi (KG0F, KG1N) (G9T 600)             |  | Diesel   | FWD | 2188 | 102 | 140 | 05.05-12.07  | * |  |
| 2.2 dCi (KG0F, KG1N) (G9T 706)             |  | Diesel   | FWD | 2188 | 102 | 140 | 05.05-12.07  | * |  |
| 2.2 dCi (KG0F, KG1N) (G9T 707)             |  | Diesel   | FWD | 2188 | 102 | 140 | 05.05-12.07  | * |  |
| 2.2 dCi (KG0F) (G9T 702)                   |  | Diesel   | FWD | 2188 | 110 | 150 | 10.01-08.06  | * |  |
| <b>VEL SATIS (BJ0_) 06.02-</b>             |  |          |     |      |     |     | <b>[CAMBIADO]:Fastback (Executive car-E Segment)</b> |   |  |
| 2.0 Turbo (F4R 867)                        |  | Gasolina | FWD | 1998 | 108 | 147 | 04.05-08.09  | * |  |
| 2.0 16V Turbo (BJ0K) (F4R 762)             |  | Gasolina | FWD | 1998 | 120 | 163 | 06.02-08.09  | * |  |
| 2.0 16V Turbo (BJ0K) (F4R 763)             |  | Gasolina | FWD | 1998 | 120 | 163 | 06.02-08.09  | * |  |
| 2.0 16V Turbo (F4R 766)                    |  | Gasolina | FWD | 1998 | 125 | 170 | 04.04-08.09  | * |  |
| 2.0 16V Turbo (F4R 767)                    |  | Gasolina | FWD | 1998 | 125 | 170 | 04.04-08.09  | * |  |
| 3.5 (BJ01) (V4Y 715)                       |  | Gasolina | FWD | 3498 | 170 | 231 | 10.04-08.09  | * |  |
| 3.5 V6 (BJ0R, BJ0V, BJ0U) (V4Y 701)        |  | Gasolina | FWD | 3498 | 177 | 241 | 06.02-08.09  | * |  |
| 3.5 V6 (BJ0R, BJ0V, BJ0U) (V4Y 711)        |  | Gasolina | FWD | 3498 | 177 | 241 | 06.02-08.09  | * |  |
| 3.5 V6 (BJ0R, BJ0V, BJ0U) (V4Y 715)        |  | Gasolina | FWD | 3498 | 177 | 241 | 06.02-08.09  | * |  |
| 2.0 dCi (BJ03) (M9R 760)                   |  | Diesel   | FWD | 1995 | 110 | 150 | 08.05-08.09  | * |  |
| 2.0 dCi (BJ03, BJ0B) (M9R 760)             |  | Diesel   | FWD | 1995 | 127 | 173 | 01.06-08.09  | * |  |
| 2.0 dCi (BJ03, BJ0B) (M9R 762)             |  | Diesel   | FWD | 1995 | 127 | 173 | 01.06-08.09  | * |  |
| 2.0 dCi (BJ03, BJ0B) (M9R 763)             |  | Diesel   | FWD | 1995 | 127 | 173 | 01.06-08.09  | * |  |
| 2.2 dCi (BJ0M) (G9T 700)                   |  | Diesel   | FWD | 2188 | 83  | 113 | 12.04-08.09  | * |  |
| 2.2 dCi (BJ0M) (G9T 702)                   |  | Diesel   | FWD | 2188 | 83  | 113 | 12.04-08.09  | * |  |
| 2.2 dCi (BJ0H) (G9T 600)                   |  | Diesel   | FWD | 2188 | 85  | 116 | 06.02-09.05  | * |  |
| 2.2 dCi (BJ0H) (G9T 702)                   |  | Diesel   | FWD | 2188 | 85  | 116 | 06.02-09.05  | * |  |
| 2.2 dCi (BJ0E, BJ0F, BJ0G, BJ0H) (G9T 600) |  | Diesel   | FWD | 2188 | 102 | 140 | 09.04-08.09  | * |  |
| 2.2 dCi (BJ0E, BJ0F, BJ0G, BJ0H) (G9T 606) |  | Diesel   | FWD | 2188 | 102 | 140 | 09.04-08.09  | * |  |
| 2.2 dCi (BJ0E, BJ0F, BJ0G, BJ0H) (G9T 607) |  | Diesel   | FWD | 2188 | 102 | 140 | 09.04-08.09  | * |  |
| 2.2 dCi (BJ0E, BJ0F, BJ0G, BJ0H) (G9T 700) |  | Diesel   | FWD | 2188 | 102 | 140 | 09.04-08.09  | * |  |
| 2.2 dCi (BJ0E, BJ0F, BJ0G, BJ0H) (G9T 702) |  | Diesel   | FWD | 2188 | 102 | 140 | 09.04-08.09  | * |  |
| 2.2 dCi (BJ0E, BJ0F) (G9T 702)             |  | Diesel   | FWD | 2188 | 110 | 150 | 06.02-08.09  | * |  |
| 2.2 dCi (BJ0E, BJ0F) (G9T 703)             |  | Diesel   | FWD | 2188 | 110 | 150 | 06.02-08.09  | * |  |
| 3.0 dCi (BJ0J, BJ0N) (P9X 701)             |  | Diesel   | FWD | 2958 | 130 | 177 | 06.02-06.06  | * |  |
| 3.0 dCi (BJ0S) (P9X 715)                   |  | Diesel   | FWD | 2958 | 133 | 181 | 06.06-08.09  | * |  |