

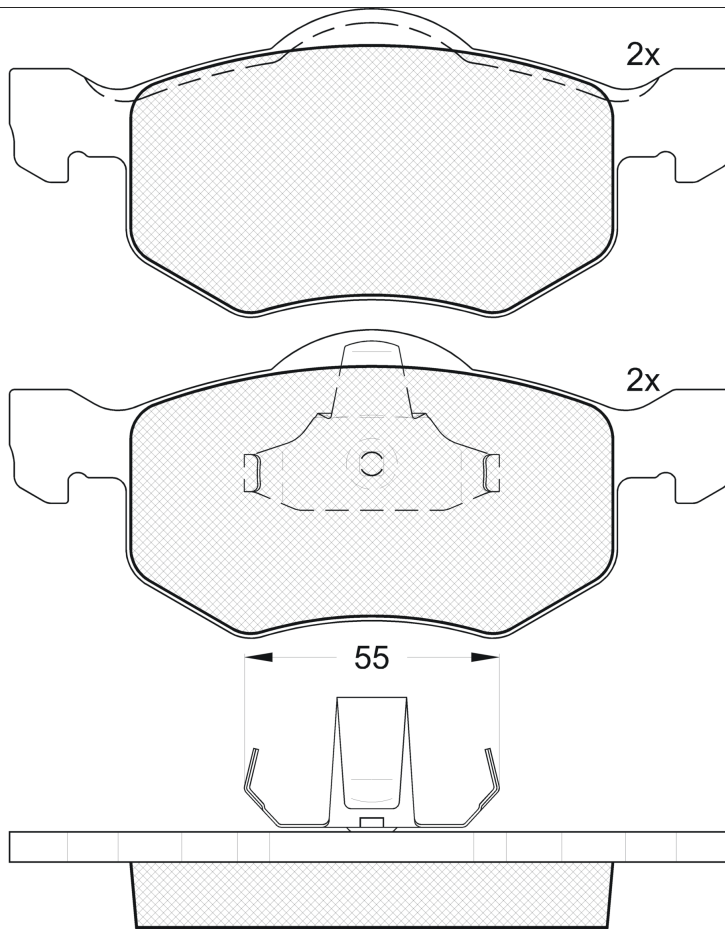
# LISTA DE APLICACIONES - BUYERS GUIDE

## RB1532



Qty: 300

Weight: 2.020



## RB1532



90R-01111/775



Ate - Teves

156.3x66.48x20.6

**WVA**

23787

23788

**FMSI**

D843-7719

Sin Filas

O.E.M.	MAKE
3L84-2L361-BA	FORD
3L8Z-2V001-A	FORD
4 096 346	FORD
4 099 896	FORD
4 513 092	FORD
4 547 849	FORD
4 588 141	FORD
4 593 068	FORD
4 659 167	FORD
4 947 737	FORD
4L84-2L361-AB	FORD
4L8Z-2001-AA	FORD USA
5L84-2C026-AA	FORD
5L84-2L361-BA	FORD
5L8Z-2001-BA	FORD USA
6L8Z-2001-BA	MERCURY
8L84-2C026-AA	FORD
E181-33-23Z	MAZDA
EC25-33-23ZA	MAZDA
EC25-33-23ZB	MAZDA
EC25-33-23ZC	MAZDA
EC25-33-23ZD	MAZDA
YL8Z-2001-BA	FORD USA



Trac.	CC	Kw	CV
-------	----	----	----



Front / Rear

### FORD

#### MAVERICK / ESCAPE 02.01-

#### SUV (Compact SUV-J Segment)

2.0 16V (YF)	Gasolina	4WD	1989	91	124	02.01-	*
2.0 16V FWD (YF)	Gasolina	FWD	1989	91	124	02.01-	*
2.3 16V (GZ)	Gasolina	4WD	2261	110	150	03.04-	*
3.0 V6 24V (AJ)	Gasolina	4WD	2967	145	197	02.01-	*
3.0 V6 24V FWD (AJ)	Gasolina	FWD	2967	145	197	02.01-	*
3.0 V6 24V (AJ)	Gasolina	4WD	2967	149	203	03.04-	*

### FORD AUSTRALIA

#### ESCAPE I-II (BA, ZA, ZB, ZC, ZD) 03.01-

#### SUV (Compact SUV-J Segment)

3.0 A las 4 ruedas	Gasolina	FWD	2967	150	204	03.01-03.04	*
--------------------	----------	-----	------	-----	-----	-------------	---

### FORD USA

#### ESCAPE (U.S.A.) 01.01-07.13

#### SUV (Compact SUV-J Segment)

2.0	Gasolina	FWD	1988	91	124	01.01-02.04	*
2.3	Gasolina	FWD	2261	114	155	10.01-03.04	*
2.3 4x4	Gasolina	4WD	2261	114	155	10.01-03.04	*
3.0	Gasolina	FWD	2967	145	197	02.04-03.05	*
3.0 4x4	Gasolina	4WD	2967	145	197	01.01-04.04	*
3.0	Gasolina	FWD	2967	149	203	01.01-07.07	*
3.0	Gasolina	FWD	2967	149	203	02.04-03.05	*
3.0 4x4	Gasolina	4WD	2967	149	203	01.01-07.07	*
3.0 4x4	Gasolina	4WD	2967	152	207	05.04-07.07	*
2.3 Hybrid 4x4	Gasol./el éc.	4WD	2261	95	129	03.01-07.07	*

# LISTA DE APLICACIONES - BUYERS GUIDE

2.3 Hybrid 4x4		Gasol./el éc.	4WD	2261	110	150	04.04-07.07	*
2.3 Hybrid 4x4		Gasol./el éc.	4WD	2261	115	156	09.05-07.07	*
<b>ESCAPE II (U.S.A.) 08.07-12.12</b>					<b>SUV (Compact SUV-J Segment)</b>			
2.3		Gasolina	FWD	2261	114	155	09.07-12.08	*
2.3 4WD		Gasolina	4WD	2261	114	155	09.07-12.08	*
3.0		Gasolina	FWD	2967	149	203	09.07-12.08	*
<b>MAZDA</b>								
<b>TRIBUTE (EP) 03.00-05.08</b>					<b>SUV (Compact SUV-J Segment)</b>			
2.0 (EPEW) (YF)		Gasolina	FWD	1988	91	124	03.00-05.08	*
2.0 4WD (EPEW) (YF)		Gasolina	4WD	1988	91	124	03.00-05.08	*
2.0 4WD		Gasolina	4WD	1991	97	132	09.00-12.04	*
2.3 AWD (EP3W) (L3-VE)		Gasolina	4WD	2261	110	150	04.04-05.08	*
2.3 GX (EP3W) (L3-VE)		Gasolina	FWD	2261	110	150	12.03-10.04	*
3.0 V6 24V 4WD (EPFW) (AJ)		Gasolina	4WD	2967	145	197	03.00-05.08	*
3.0 V6 AWD (EPFW) (AJ)		Gasolina	4WD	2967	149	203	04.04-05.08	*
<b>MERCURY</b>								
<b>MARINER 05.04-12.07</b>					<b>[CAMBIADO]:Fastback (Compact SUV-J Segment)</b>			
2.3 16V		Gasolina	FWD	2295			05.04-	*
2.3 16V 4WD		Gasolina	FWD	2295			05.04-	*
3.0 A las 4 ruedas		Gasolina	FWD	2967	151	205	05.04-12.07	*
3.0 24V		Gasolina	FWD	2995			05.04-	*
3.0 24V 4WD		Gasolina	FWD	2995			05.04-	*
2.3 16V 4WD		Gasol./el éc.	4WD	2295			05.04-	*
<b>MARINER II (U.S.A.) 09.04-12.10</b>					<b>Closed SUV (Compact SUV-J Segment)</b>			
2.3		Gasolina	FWD	2261	114	155	09.05-12.06	*
3.0		Gasolina	FWD	2967	149	203	09.05-12.06	*