

LISTA DE APLICACIONES - BUYERS GUIDE

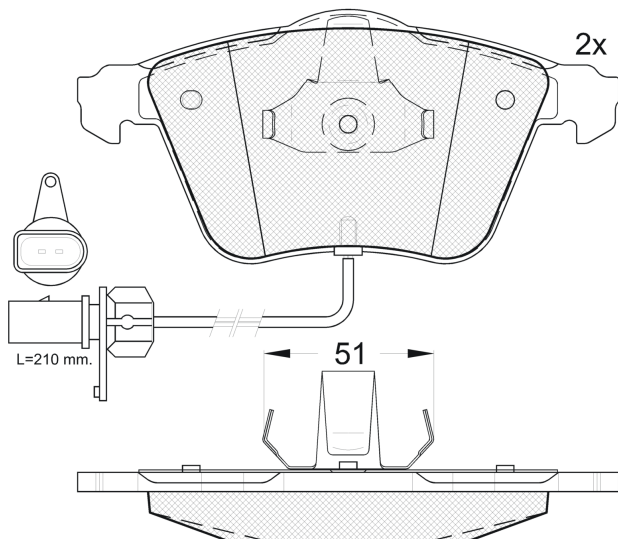
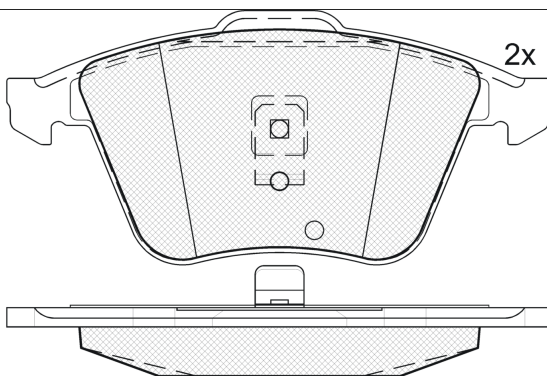
RB1531



Qty: 300

Weight: 2.165

O.E.M.	MAKE
4B0 698 151 AC	AUDI
4B0 698 151 AD	AUDI
4B0 698 151 Q	AUDI
4B0 698 151 R	AUDI



RB1531



90R-01111/755



Ate - Teves

155.2x72.9x20.3
156.4x72.9x20.3

WVA
23762
23763
23950

FMSI
D915-7796

Sin Filas



Trac.	CC	Kw	CV
-------	----	----	----



Front / Rear

AUDI

A6 II (U.S.A. C5) 09.95-12.04

Sedán (Executive car-E Segment)

Model	Fuel	Trac.	CC	Kw	CV	Year	Class
2.7 30V Quattro	Gasolina	FWD	2695			09.95-	*
3.0 30V	Gasolina	FWD	2995			09.95-	*
3.0 V30 Quattro	Gasolina	FWD	2995			09.95-	*
3.0 V30 Quattro	Gasolina	FWD	2995			09.95-	*

A6 II C5 Avant (4B5, 4B6) 11.97-01.06

[CAMBIADO]:Break (Executive car-E Segment)

Model	Fuel	Trac.	CC	Kw	CV	Year	Class
1.8 (AJP)	Gasolina	FWD	1781	92	125	12.97-01.05	*
1.8 (AQE)	Gasolina	FWD	1781	92	125	12.97-01.05	*
1.8 (ARH)	Gasolina	FWD	1781	92	125	12.97-01.05	*
1.8 T quattro (AEB)	Gasolina	4WD	1781	110	150	12.97-01.05	*
1.8 T quattro (ANB)	Gasolina	4WD	1781	110	150	12.97-01.05	*
1.8 T quattro (APU)	Gasolina	4WD	1781	110	150	12.97-01.05	*
1.8 T quattro (ARK)	Gasolina	4WD	1781	110	150	12.97-01.05	*
1.8 T quattro (AWT)	Gasolina	4WD	1781	110	150	12.97-01.05	*
2.4 (AGA)	Gasolina	FWD	2393	121	165	12.97-01.05	*
2.4 (ALF)	Gasolina	FWD	2393	121	165	12.97-01.05	*
2.4 (AML)	Gasolina	FWD	2393	121	165	12.97-01.05	*
2.4 (APS)	Gasolina	FWD	2393	121	165	12.97-01.05	*
2.4 (ARJ)	Gasolina	FWD	2393	121	165	12.97-01.05	*
2.4 quattro (AGA)	Gasolina	4WD	2393	121	165	12.97-01.05	*
2.4 quattro (ALF)	Gasolina	4WD	2393	121	165	12.97-01.05	*
2.4 quattro (AML)	Gasolina	4WD	2393	121	165	12.97-01.05	*
2.4 quattro (APS)	Gasolina	4WD	2393	121	165	12.97-01.05	*

LISTA DE APLICACIONES - BUYERS GUIDE

2.4 quattro (ARJ)		Gasolina	4WD	2393	121	165	12.97-01.05	*
2.7 T (AJK)		Gasolina	FWD	2671	169	230	02.99-01.05	*
2.7 T quattro (AJK)		Gasolina	4WD	2671	169	230	12.97-01.05	*
2.7 T quattro (AZA)		Gasolina	4WD	2671	169	230	12.97-01.05	*
2.8 (ACK)		Gasolina	FWD	2771	142	193	12.97-01.05	*
2.8 (ALG)		Gasolina	FWD	2771	142	193	12.97-01.05	*
2.8 (AMX)		Gasolina	FWD	2771	142	193	12.97-01.05	*
2.8 (APR)		Gasolina	FWD	2771	142	193	12.97-01.05	*
2.8 (AQD)		Gasolina	FWD	2771	142	193	12.97-01.05	*
2.8 quattro (ACK)		Gasolina	4WD	2771	142	193	12.97-01.05	*
2.8 quattro (ALG)		Gasolina	4WD	2771	142	193	12.97-01.05	*
2.8 quattro (AMX)		Gasolina	4WD	2771	142	193	12.97-01.05	*
2.8 quattro (APR)		Gasolina	4WD	2771	142	193	12.97-01.05	*
2.8 quattro (AQD)		Gasolina	4WD	2771	142	193	12.97-01.05	*
2.8 quattro (ATQ)		Gasolina	4WD	2771	142	193	12.97-01.05	*
3.0 (BBJ)		Gasolina	FWD	2976	160	218	06.01-01.05	*
3.0 quattro (BBJ)		Gasolina	4WD	2976	160	218	06.01-01.05	*
3.0 (ASN)		Gasolina	FWD	2976	162	220	08.01-01.05	*
3.0 quattro (ASN)		Gasolina	4WD	2976	162	220	08.01-01.05	*
1.9 TDI (AFN)		Diesel	FWD	1896	81	110	02.98-04.01	*
1.9 TDI (AVG)		Diesel	FWD	1896	81	110	02.98-04.01	*
2.5 TDI (AFB)		Diesel	FWD	2496	110	150	12.97-01.05	*
2.5 TDI (AKN)		Diesel	FWD	2496	110	150	12.97-01.05	*
2.5 TDI quattro (AFB)		Diesel	4WD	2496	110	150	12.97-01.05	*
2.5 TDI quattro (AKN)		Diesel	4WD	2496	110	150	12.97-01.05	*
2.5 TDI (AYM)		Diesel	FWD	2496	114	155	08.01-01.05	*
2.5 TDI (BCZ)		Diesel	FWD	2496	120	163	07.02-01.05	*
2.5 TDI (BDG)		Diesel	FWD	2496	120	163	07.02-01.05	*
2.5 TDI (BFC)		Diesel	FWD	2496	120	163	07.02-01.05	*
2.5 TDI (AKE)		Diesel	FWD	2496	132	180	02.00-01.05	*
2.5 TDI (BAU)		Diesel	FWD	2496	132	180	02.00-01.05	*
2.5 TDI (BDH)		Diesel	FWD	2496	132	180	02.00-01.05	*
2.5 TDI quattro (AKE)		Diesel	4WD	2496	132	180	02.00-01.05	*
2.5 TDI quattro (BAU)		Diesel	4WD	2496	132	180	02.00-01.05	*
2.5 TDI quattro (BDH)		Diesel	4WD	2496	132	180	02.00-01.05	*
A6 II C5 (4B2, 4B4) 01.97-12.05					Sedán (Executive car-E Segment)			
1.8 (AJP)		Gasolina	FWD	1781	92	125	07.97-01.05	*
1.8 (AQE)		Gasolina	FWD	1781	92	125	07.97-01.05	*
1.8 (ARH)		Gasolina	FWD	1781	92	125	07.97-01.05	*
1.8 T (AEB)		Gasolina	FWD	1781	110	150	01.97-01.05	*
1.8 T (ANB)		Gasolina	FWD	1781	110	150	01.97-01.05	*
1.8 T (APU)		Gasolina	FWD	1781	110	150	01.97-01.05	*
1.8 T (ARK)		Gasolina	FWD	1781	110	150	01.97-01.05	*
1.8 T (AWT)		Gasolina	FWD	1781	110	150	01.97-01.05	*
2.4 (AGA)		Gasolina	FWD	2393	121	165	02.97-01.05	*
2.4 (ALF)		Gasolina	FWD	2393	121	165	02.97-01.05	*
2.4 (AML)		Gasolina	FWD	2393	121	165	02.97-01.05	*
2.4 (APS)		Gasolina	FWD	2393	121	165	02.97-01.05	*
2.4 (ARJ)		Gasolina	FWD	2393	121	165	02.97-01.05	*
2.4 quattro (AGA)		Gasolina	4WD	2393	121	165	02.97-01.05	*
2.4 quattro (ALF)		Gasolina	4WD	2393	121	165	02.97-01.05	*

LISTA DE APLICACIONES - BUYERS GUIDE

2.4 quattro (AML)		Gasolina	4WD	2393	121	165	02.97-01.05	*
2.4 quattro (APS)		Gasolina	4WD	2393	121	165	02.97-01.05	*
2.4 quattro (ARJ)		Gasolina	4WD	2393	121	165	02.97-01.05	*
2.7 T (AJK)		Gasolina	FWD	2671	169	230	02.99-01.05	*
2.7 T quattro (AJK)		Gasolina	4WD	2671	169	230	12.97-01.05	*
2.7 T quattro (AZA)		Gasolina	4WD	2671	169	230	12.97-01.05	*
2.7		Gasolina	FWD	2671	187	254	05.01-07.04	*
2.7 quattro (APB)		Gasolina	4WD	2671	187	254	05.01-07.04	*
2.7 quattro (BEL)		Gasolina	4WD	2671	187	254	05.01-07.04	*
2.7		Gasolina	FWD	2671	195	265	11.03-07.04	*
2.8 (ACK)		Gasolina	FWD	2771	142	193	02.97-01.05	*
2.8 (ALG)		Gasolina	FWD	2771	142	193	02.97-01.05	*
2.8 (AMX)		Gasolina	FWD	2771	142	193	02.97-01.05	*
2.8 (APR)		Gasolina	FWD	2771	142	193	02.97-01.05	*
2.8 (AQD)		Gasolina	FWD	2771	142	193	02.97-01.05	*
2.8 (ATQ)		Gasolina	FWD	2771	142	193	02.97-01.05	*
2.8 quattro (ACK)		Gasolina	4WD	2771	142	193	02.97-01.05	*
2.8 quattro (ALG)		Gasolina	4WD	2771	142	193	02.97-01.05	*
2.8 quattro (AMX)		Gasolina	4WD	2771	142	193	02.97-01.05	*
2.8 quattro (APR)		Gasolina	4WD	2771	142	193	02.97-01.05	*
2.8 quattro (AQD)		Gasolina	4WD	2771	142	193	02.97-01.05	*
2.8 quattro (ATQ)		Gasolina	4WD	2771	142	193	02.97-01.05	*
3.0 (BBJ)		Gasolina	FWD	2976	160	218	06.01-01.05	*
3.0 quattro (BBJ)		Gasolina	4WD	2976	160	218	06.01-07.04	*
3.0 (ASN)		Gasolina	FWD	2976	162	220	08.01-01.05	*
3.0 quattro (ASN)		Gasolina	4WD	2976	162	220	08.01-01.05	*
1.9 TDI (AFN)		Diesel	FWD	1896	81	110	04.97-10.00	*
1.9 TDI (AVG)		Diesel	FWD	1896	81	110	04.97-10.00	*
2.5 TDI (AFB)		Diesel	FWD	2496	110	150	07.97-01.05	*
2.5 TDI (AKN)		Diesel	FWD	2496	110	150	07.97-01.05	*
2.5 TDI quattro (AFB)		Diesel	4WD	2496	110	150	07.97-01.05	*
2.5 TDI quattro (AKN)		Diesel	4WD	2496	110	150	07.97-01.05	*
2.5 TDI (AYM)		Diesel	FWD	2496	114	155	08.01-01.05	*
2.5 TDI (BCZ)		Diesel	FWD	2496	120	163	07.02-01.05	*
2.5 TDI (BDG)		Diesel	FWD	2496	120	163	07.02-01.05	*
2.5 TDI (BFC)		Diesel	FWD	2496	120	163	07.02-01.05	*
2.5 TDI (AKE)		Diesel	FWD	2496	132	180	02.00-01.05	*
2.5 TDI (BAU)		Diesel	FWD	2496	132	180	02.00-01.05	*
2.5 TDI (BDH)		Diesel	FWD	2496	132	180	02.00-01.05	*
2.5 TDI quattro (AKE)		Diesel	4WD	2496	132	180	02.00-01.05	*
2.5 TDI quattro (BAU)		Diesel	4WD	2496	132	180	02.00-01.05	*
2.5 TDI quattro (BDH)		Diesel	4WD	2496	132	180	02.00-01.05	*
ALLROAD C5 (4BH) 05.00-08.05				[CAMBIADO]:Break (Executive SUV-J Segment)				
2.7 T quattro (ARE)		Gasolina	4WD	2671	184	250	05.00-08.05	*
2.7 T quattro (BES)		Gasolina	4WD	2671	184	250	05.00-08.05	*
2.7 quattro (APB)		Gasolina	4WD	2671	187	254	09.00-08.05	*
2.7 quattro (BEL)		Gasolina	4WD	2671	187	254	09.00-08.05	*
2.7 T quattro		Gasolina	FWD	2695	184	250	05.00-	*
4.2 V8 quattro (BAS)		Gasolina	4WD	4163	220	299	07.02-08.05	*
2.5 TDI quattro (BCZ)		Diesel	4WD	2496	120	163	05.03-08.05	*
2.5 TDI quattro (AKE)		Diesel	4WD	2496	132	180	05.00-08.05	*

LISTA DE APLICACIONES - BUYERS GUIDE

2.5 TDI quattro (BAU)	Diesel	4WD	2496	132	180	05.00-08.05	*
-----------------------	--------	-----	------	-----	-----	-------------	---