

LISTA DE APLICACIONES - BUYERS GUIDE

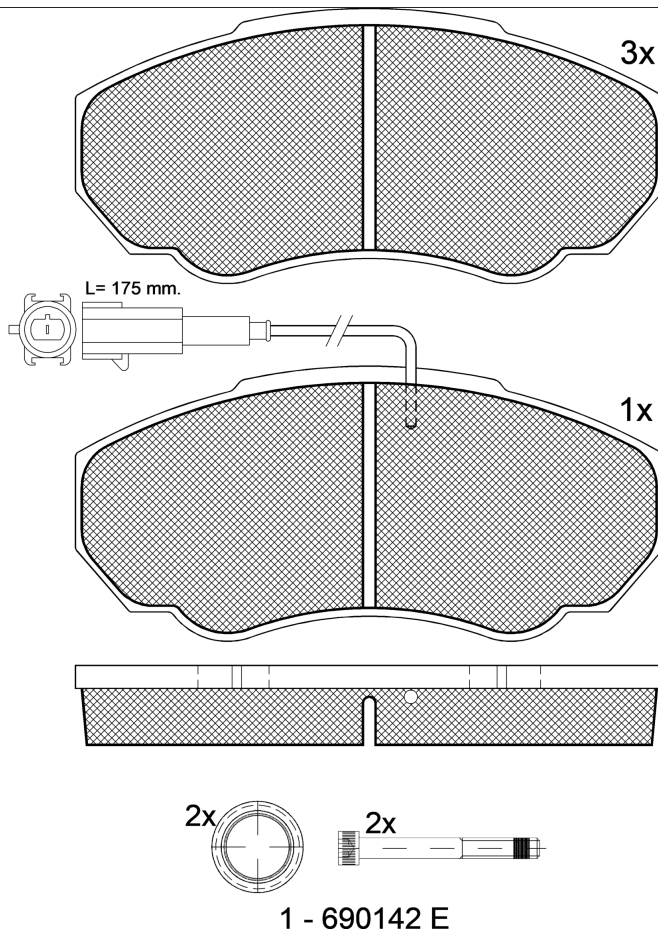
RB1523-066



Qty: 639

Weight: 2.153

O.E.M.	MAKE
4252.42	PEUGEOT
4252.43	CITROËN
4254.58	CITROËN
7 175 297 9	FIAT
7 177 007 4	FIAT
7 177 252 6	FIAT
7 736 221 9	FIAT
7 736 486 2	FIAT
86 60 004 749	RENAULT
86 71 016 729	RENAULT
9 949 409	FIAT
9 949 482	FIAT
9 949 516	FIAT



1 - 690142 E

RB1523-066

E 9 90R-01109/627



Brembo

140.6x65.9x19

WVA	FMSI
23859	D1198-8318
23917	
23918	

Sin Filas



Trac.	CC	Kw	CV
-------	----	----	----



Front / Rear

CITROËN

						[CAMBIADO]:Furgón (LCVs-N1 Segment)			
JUMPER II / RELAY (230L) 02.94-08.02									
2.0 (XU10J2)		Gasolina	FWD	1998	81	110	04.02-06.06	*	
2.0 bivalent (XU10J2)		Gasol./Gas (CNG)	FWD	1998	81	110	02.03-06.06	*	
2.0 HDi (RHV (DW10TD))		Diesel	FWD	1997	62	84	11.01-04.02	*	
2.0 HDi (RHV (DW10UTD))		Diesel	FWD	1997	62	84	04.02-06.06	*	
2.2 HDi (4HY (DW12UTED))		Diesel	FWD	2179	74	101	04.02-06.06	*	
2.5 TDI (THX (DJ5TED))		Diesel	FWD	2446	79	107	12.96-11.00	*	
2.8 HDi (8140.43S)		Diesel	FWD	2798	94	128	04.02-06.06	*	
2.8 HDi 4x4 (8140.43S)		Diesel	4WD	2798	94	128	04.02-06.06	*	
2.8 HDi (8140.43N)		Diesel	FWD	2798	107	146	04.04-06.06	*	
JUMPER II / RELAY (230P) 02.94-04.02						Bus (Minibus-M2-Segment)			
2.0 (XU10J2)		Gasolina	FWD	1998	81	110	04.02-06.06	*	
2.0 bivalent (XU10J2)		Gasol./Gas (CNG)	FWD	1998	81	110	02.03-06.06	*	
2.0 HDi (RHV (DW10UTD))		Diesel	FWD	1997	62	84	04.02-06.06	*	
2.2 HDi (4HY (DW12UTED))		Diesel	FWD	2179	74	101	04.02-06.06	*	
2.8 HDi (8140.43S)		Diesel	FWD	2798	94	128	09.00-04.02	*	
2.8 HDi (8140.43S)		Diesel	FWD	2798	94	128	04.02-06.06	*	
2.8 HDi A las 4 ruedas (8140.43S)		Diesel	4WD	2798	94	128	04.02-06.06	*	
JUMPER II / RELAY (244) 02.02-						Caja/Chasis (LCVs-N1 Segment)			
2.0 HDi (RHV (DW10UTD))		Diesel	FWD	1997	62	84	04.02-06.06	*	
2.2 HDi (4HY (DW12UTED))		Diesel	FWD	2179	74	101	04.02-06.06	*	

LISTA DE APLICACIONES - BUYERS GUIDE

2.2 HDi (4HY (DW12UTED))		Diesel	FWD	2179	74	101	02.02-06.06	*
2.8 HDI (8140.43S)		Diesel	FWD	2798	94	128	04.02-06.06	*
2.8 HDi 4x4 (F28TDCR)		Diesel	4WD	2798	94	128	02.02-06.06	*
2.8 HDI (8140.43N)		Diesel	FWD	2798	107	146	05.04-06.06	*
FIAT								
DUCATO II (230_) 03.94-05.05				[CAMBIADO]:Furgón (LCVs-N1 Segment)				
2.0 (RFL)		Gasolina	FWD	1998	81	110	12.01-07.06	*
2.0 4x4 (RFL)		Gasolina	4WD	1998	81	110	05.02-07.06	*
2.0 LPG (RFL)		Gasol./Gas (LPG)	FWD	1998	71	97	11.02-07.06	*
2.0 Bipower (RFL)		Gasol./Gas (CNG)	FWD	1998	81	110	11.02-07.06	*
1.9 TD (DHX)		Diesel	FWD	1905	66	90	04.98-04.02	*
1.9 TD (DHX (XUD9TF/L))		Diesel	FWD	1905	66	90	04.98-04.02	*
2.0 JTD (RHV)		Diesel	FWD	1997	62	84	10.01-04.02	*
2.0 JTD (RHV)		Diesel	FWD	1997	62	84	12.01-07.06	*
2.3 JTD (F1AE0481C)		Diesel	FWD	2286	81	110	12.01-07.06	*
2.8 JTD (8140.43S)		Diesel	FWD	2798	94	128	11.00-04.02	*
2.8 JTD (8140.43S)		Diesel	FWD	2798	94	128	12.01-12.11	*
2.8 JTD 4x4 (8140.43S)		Diesel	4WD	2798	94	128	11.00-04.02	*
2.8 JTD 4x4 (8140.43S)		Diesel	4WD	2798	94	128	12.01-07.06	*
2.8 TD (8140.43)		Diesel	FWD	2799	90	122	12.01-07.06	*
2.8 TD		Diesel	RWD	2799	90	122	11.03-07.06	*
2.8 D (8140.63)		Diesel	FWD	2800	64	87	05.98-04.02	*
2.8 JTD Power (8140.43N)		Diesel	FWD	2800	107	146	04.04-07.06	*
DUCATO II (230_) 03.94-05.05				Bus (Minibus-M2-Segment)				
2.0 (RFL)		Gasolina	FWD	1998	81	110	12.01-07.06	*
2.0 4x4 (RFL)		Gasolina	4WD	1998	81	110	05.02-07.06	*
2.0 LPG (RFL)		Gasol./Gas (LPG)	FWD	1998	71	97	11.02-07.06	*
2.0 Bipower (RFL)		Gasol./Gas (CNG)	FWD	1998	81	110	11.02-07.06	*
1.9 TD (DHX)		Diesel	FWD	1905	66	90	04.98-04.02	*
1.9 TD (DHX (XUD9TF/L))		Diesel	FWD	1905	66	90	04.98-04.02	*
2.0 JTD (RHV)		Diesel	FWD	1997	62	84	10.01-04.02	*
2.0 JTD (RHV)		Diesel	FWD	1997	62	84	12.01-07.06	*
2.3 JTD (F1AE0481C)		Diesel	FWD	2286	81	110	12.01-07.06	*
2.8 JTD (8140.43S)		Diesel	FWD	2798	94	128	11.00-04.02	*
2.8 JTD (8140.43S)		Diesel	FWD	2798	94	128	12.01-	*
2.8 JTD 4x4 (8140.43S)		Diesel	4WD	2798	94	128	11.00-04.02	*
2.8 JTD 4x4 (8140.43S)		Diesel	4WD	2798	94	128	12.01-07.06	*
2.8 TD (8140.43)		Diesel	FWD	2799	90	122	11.03-07.06	*
2.8 TD 4x4 (8140.43)		Diesel	4WD	2799	90	122	11.03-07.06	*
2.8 D (8140.63)		Diesel	FWD	2800	64	87	02.98-04.02	*
2.8 TDI 4x4 (8140.43)		Diesel	4WD	2800	90	122	07.99-04.02	*
2.8 JTD (8140.43N)		Diesel	FWD	2800	107	145	04.04-07.06	*
DUCATO II (230_) 03.94-04.02				Caja/Chasis (LCVs-N1 Segment)				
2.0 (RFL)		Gasolina	FWD	1998	81	110	04.02-07.06	*
1.9 TD (DHX)		Diesel	FWD	1905	66	90	04.98-04.02	*
1.9 TD (DHX (XUD9TF/L))		Diesel	FWD	1905	66	90	04.98-04.02	*
2.0 JTD (RHV)		Diesel	FWD	1997	62	84	07.01-04.02	*

LISTA DE APLICACIONES - BUYERS GUIDE

2.0 JTD (RHV)		Diesel	FWD	1997	62	84	12.01-07.06	*	
2.3 JTD (F1AE0481C)		Diesel	FWD	2286	81	110	12.01-07.06	*	
2.8 JTD (8140.43S)		Diesel	FWD	2798	94	128	11.00-04.02	*	
2.8 JTD (8140.43S)		Diesel	FWD	2798	94	128	12.01-07.06	*	
2.8 JTD 4x4 (8140.43S)		Diesel	4WD	2798	94	128	10.01-04.02	*	
2.8 JTD 4x4 (8140.43S)		Diesel	4WD	2798	94	128	12.01-07.06	*	
2.8 JTD (8140.43)		Diesel	FWD	2799	90	122	11.03-07.06	*	
2.8 JTD 4x4		Diesel	4WD	2799	90	122	11.03-07.06	*	
2.8 JTD Power (8140.43N)		Diesel	FWD	2800	107	146	04.04-07.06	*	
DUCATO III (250_) 07.06-							Bus (Minibus-M2-Segment)		
120 Multijet 2,3 D (F1AE0481D)		Diesel	FWD	2287	88	120	07.06-10.13	*	
130 Multijet 2,3 D (F1AE0481N)		Diesel	FWD	2287	96	131	01.07-	*	
130 Multijet 2,3 D (F1AE3481D)		Diesel	FWD	2287	96	131	01.07-	*	
130 Multijet 2,3 D (F1AGL411D)		Diesel	FWD	2287	96	131	01.07-	*	
DUCATO III (250_) 07.06-							Caja/Chasis (LCVs-N1 Segment)		
120 Multijet 2,3 D (F1AE0481D)		Diesel	FWD	2287	88	120	07.06-	*	
120 Multijet 2,3 D (F1AGL4114)		Diesel	FWD	2287	88	120	07.06-	*	
PEUGEOT									
BOXER II (230L) 03.94-08.06							[CAMBIADO]:Furgón (LCVs-N1 Segment)		
2.0 (RFL (XU10J2U))		Gasolina	FWD	1998	81	110	12.01-06.06	*	
2.0 BiFuel		Gasol./Gas (LPG)	FWD	1998	81	110	12.01-06.06	*	
2.0 HDi (RHV (DW10UTD))		Diesel	FWD	1997	62	84	08.01-04.02	*	
2.0 HDi (RHV (DW10TD))		Diesel	FWD	1997	62	84	04.02-06.06	*	
2.0 HDi (RHV (DW10UTD))		Diesel	FWD	1997	62	84	04.02-06.06	*	
2.2 HDi (4HY (DW12UTED))		Diesel	FWD	2179	74	101	12.01-06.06	*	
2.8 D (8140.63 (F28D))		Diesel	FWD	2798	64	87	01.99-02.02	*	
2.8 HDi (8140.43S (F28DTCR))		Diesel	FWD	2798	93	126	10.00-11.01	*	
2.8 HDi (8140.43S (F28DTCR))		Diesel	FWD	2798	93	126	09.05-09.09	*	
2.8 HDi (8140.43S (F28DTCR))		Diesel	FWD	2798	94	128	12.01-06.06	*	
2.8 HDi 4x4 (8140.43S (F28DTCR))		Diesel	4WD	2798	94	128	10.00-04.02	*	
2.8 HDi 4x4 (8140.43S (F28DTCR))		Diesel	4WD	2798	94	128	12.01-06.06	*	
2.8 HDi (8140.43N)		Diesel	FWD	2798	107	146	04.04-06.06	*	
BOXER II (230P) 03.94-12.09							Bus (Minibus-M2-Segment)		
2.0 (RFL (XU10J2U))		Gasolina	FWD	1998	81	110	12.01-06.06	*	
2.0 BiFuel		Gasol./Gas (LPG)	FWD	1998	81	110	12.01-06.06	*	
2.0 HDi (RHV (DW10TD))		Diesel	FWD	1997	62	84	12.01-06.06	*	
2.0 HDi (RHV (DW10UTD))		Diesel	FWD	1997	62	84	12.01-06.06	*	
2.2 HDi (4HY (DW12UTED))		Diesel	FWD	2179	74	101	12.01-06.06	*	
2.8 D (8140.63 (F28D))		Diesel	FWD	2798	64	87	01.99-02.02	*	
2.8 HDi (8140.43S (F28DTCR))		Diesel	FWD	2798	93	126	10.00-11.01	*	
2.8 HDi (8140.43S (F28DTCR))		Diesel	FWD	2798	94	128	12.01-06.06	*	
2.8 HDi 4x4 (8140.43S (F28DTCR))		Diesel	4WD	2798	94	128	10.00-04.02	*	
2.8 HDi 4x4 (8140.43S (F28DTCR))		Diesel	4WD	2798	94	128	12.01-06.06	*	
2.8 HDi (8140.43N)		Diesel	FWD	2798	107	145	04.04-06.06	*	
BOXER II (ZCT_) 03.94-04.02							Caja/Chasis (LCVs-N1 Segment)		
2.0 (RFL (XU10J2U))		Gasolina	FWD	1998	81	110	12.01-04.02	*	
2.0 BiFuel		Gasol./Gas (LPG)	FWD	1998	81	110	12.01-06.06	*	
2.0 HDi (RHV (DW10TD))		Diesel	FWD	1997	62	84	12.01-06.06	*	

LISTA DE APLICACIONES - BUYERS GUIDE

2.0 HDi (RHV (DW10UTD))	Diesel	FWD	1997	62	84	12.01-06.06	*
2.2 HDi (4HY (DW12UTED))	Diesel	FWD	2179	74	101	12.01-06.06	*
2.8 D (8140.63 (F28D))	Diesel	FWD	2798	64	87	01.99-02.02	*
2.8 HDI (8140.43S (F28DTCR))	Diesel	FWD	2798	93	126	10.00-11.01	*
2.8 HDI (8140.43S (F28DTCR))	Diesel	FWD	2798	94	128	12.01-06.06	*
2.8 HDi 4x4 (8140.43S (F28DTCR))	Diesel	4WD	2798	94	128	12.01-06.06	*
2.8 HDI (8140.43N)	Diesel	FWD	2798	107	146	04.04-06.06	*
BOXER III / MANAGER 04.06-				[CAMBIADO]:Furgón (LCVs-N1 Segment)			
2.8 HDI	Diesel	RWD	2798	93	127	04.06-09.09	*