

LISTA DE APLICACIONES - BUYERS GUIDE

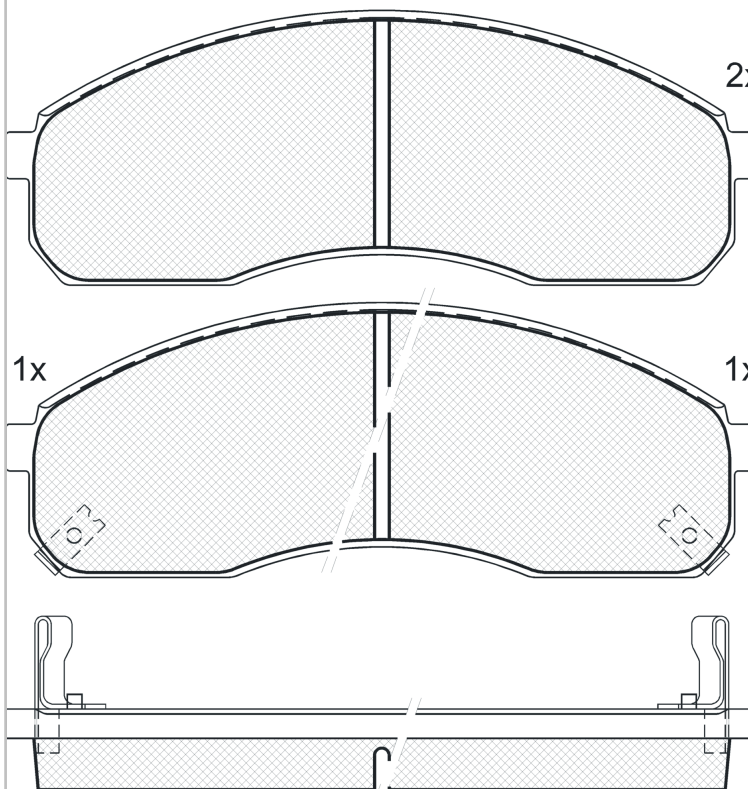
RB1455



Qty: 639

Weight: 1.834

O.E.M.	MAKE
0K56A-33-23Z	KIA
0K56B-33-23Z	KIA
0K56B-33-23ZA	KIA
0K58A-33-23Z	KIA
0K72G-33-28Z	KIA
0K75A-33-28Z	KIA
0K75B-33-28Z	KIA
58101-4EA00	KIA
58101-4EA30	KIA



RB1455

E1 90R-01217/339



Sumitomo

154.1x56.5x16.5

WVA	FMSI
23649	D2360-9590
23650	
23651	
25229	

Sin Filas



Trac.	CC	Kw	CV
-------	----	----	----



Front / Rear

KIA

BESTA 01.93-12.05							[CAMBIADO]:Furgón (LCVs-N1 Segment)		
2.7 D (J2)		Diesel	RWD	2665	61	83	10.97-12.05	*	
BONGO MK4 (PU) 10.03-							Caja/Chasis (LCVs-N1 Segment)		
2.5 CRDi (D4CB)		Diesel	RWD	2497	98	133	01.12-	*	
CARNIVAL I / SEDONA / NAZA RIA (UP, FL) 06.98-10.01							MPV (Large MPV-M1 Segment)		
2.4		Gasolina	FWD	2351	109	148	12.01-10.06	*	
2.5 V6 (K5)		Gasolina	FWD	2497	110	150	10.01-06.06	*	
2.5 V6 (KV6)		Gasolina	FWD	2497	121	165	08.99-10.01	*	
2.5 i		Gasolina	FWD	2497	132	180	10.00-10.01	*	
2.5 V6		Gasolina	FWD	2497	132	180	10.01-06.06	*	
3.5 (G6CU)		Gasolina	FWD	3497	143	194	07.02-04.06	*	
2.9 TDi (J3)		Diesel	FWD	2902	93	126	08.99-10.01	*	
2.9 TDi (HJ3)		Diesel	FWD	2902	93	126	08.99-09.07	*	
2.9 CRDi (J3(CRDI))		Diesel	FWD	2902	106	144	10.01-06.06	*	
K2500 (SD) 06.01-							Caja/Chasis (LCVs-N1 Segment)		
2.5 CRDi (D4CB)		Diesel	RWD	2497	95	129	01.10-	*	
2.5 CRDi (D4CB)		Diesel	RWD	2497	96	131	01.10-	*	
K2500 01.04-							Pick-up (LCVs-N1 Segment)		
2.5 CRDi (D4CB)		Diesel	RWD	2497	95	129	01.10-	*	
PREGIO 08.95-04.10							Bus (Minibus-M2-Segment)		
2.5 D (D4BH)		Diesel	RWD	2476	69	94	08.95-09.04	*	

LISTA DE APLICACIONES - BUYERS GUIDE

PREGIO / BESTA (TB) 10.97-					[CAMBIADO]:Furgón (LCVs-N1 Segment)			
2.5 TCi D (D4BH)	Diesel	RWD	2476	69	94	09.02-	*	
2.7 D (J2)	Diesel	RWD	2665	60	82	10.97-	*	