

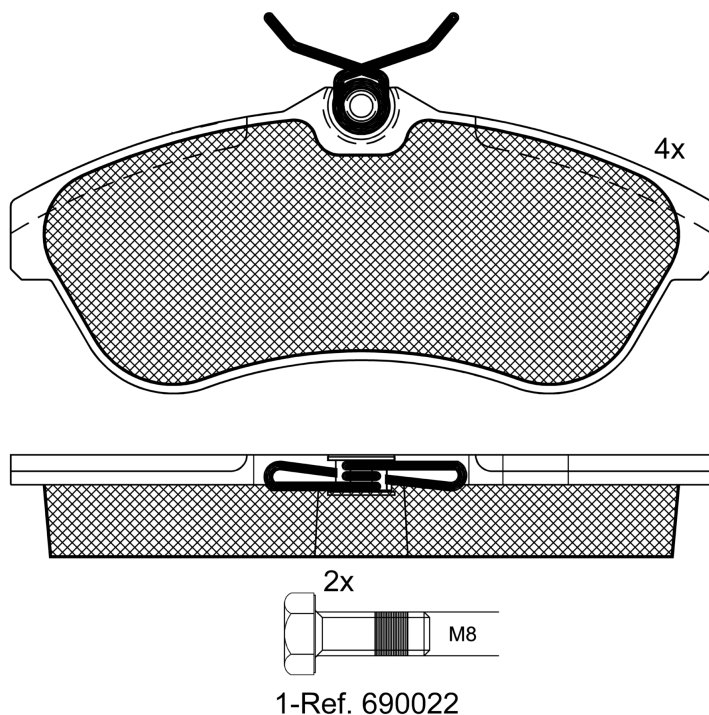
LISTA DE APLICACIONES - BUYERS GUIDE

**RB1451-700**



Qty: 300 Weight: 1.444

O.E.M.	MAKE
16 113 346 80	CITROËN
16 172 702 80	CITROËN
4252.37	CITROËN
4253.72	CITROËN
86 60 004 757	RENAULT
86 71 016 737	RENAULT
E172282	CITROËN



1-Ref. 690022

**RB1451-700**



128.9x56.3x19.3

WVA	FMSI
23408	D2075-9309
23409	D2150-9392
23809	

Sin Filas



Trac.	CC	Kw	CV		
					Front / Rear

**CITROËN**

						<b>[CAMBIADO]:Fastback (Supermini car-B Segment)</b>				
<b>C2 (JM_) 07.03-09.17</b>										
1.4 (KFV (TU3A))		Gasolina	FWD	1360	54	73	09.03-12.09	*		
1.4 (KFV (TU3JP))		Gasolina	FWD	1360	54	73	09.03-12.09	*		
1.4 (KFV (TU3JP))		Gasolina	FWD	1360	55	75	10.06-12.09	*		
1.4 16V (KFU (ET3J4))		Gasolina	FWD	1360	65	90	04.05-12.09	*		
1.6 (NFU (TU5JP4))		Gasolina	FWD	1587	80	109	07.03-10.10	*		
1.6 VTS (NFS (TU5JP4S))		Gasolina	FWD	1587	90	122	10.04-12.09	*		
1.6 Sport WRC		Gasolina	FWD	1595	165	225	07.03-	*		
1.4 HDi (8HX (DV4TD))		Diesel	FWD	1398	50	68	07.03-12.09	*		
1.4 HDi (8HZ (DV4TD))		Diesel	FWD	1398	50	68	07.03-12.09	*		
1.4 HDi (8HX (DV4TD))		Diesel	FWD	1398	51	69	09.03-04.05	*		
<b>C2 II ENTERPRISE (JG_) 11.03-</b>						<b>Furgón/hatchback (LCVs-N1 Segment)</b>				
1.4 HDi (8HX (DV4TD))		Diesel	FWD	1398	50	68	09.06-12.09	*		
1.4 HDi (8HZ (DV4TD))		Diesel	FWD	1398	51	69	11.03-04.05	*		
<b>C3 (FC_, FN_) 02.02-</b>						<b>[CAMBIADO]:Fastback (Supermini car-B Segment)</b>				
1.4 16V (KFU (ET3J4))		Gasolina	FWD	1360	65	88	12.03-08.10	*		
1.6 16V (NFU (TU5JP4))		Gasolina	FWD	1587	80	109	02.02-08.10	*		
1.6 16V (NFU (TU5JP4))		Gasolina	FWD	1587	81	110	05.03-09.05	*		
1.4 16V HDi (8HY (DV4TED4))		Diesel	FWD	1398	66	90	02.02-06.08	*		
1.6 16V HDi (9HX (DV6ATED4))		Diesel	FWD	1560	66	90	10.05-12.09	*		
1.6 16V HDi (9HZ (DV6TED4))		Diesel	FWD	1560	80	109	09.05-12.09	*		

# LISTA DE APLICACIONES - BUYERS GUIDE

<b>C3 II (SC_) 09.09-</b>					<b>[CAMBIADO]:Fastback (Supermini car-B Segment)</b>			
1.5 i		Gasolina	FWD	1449	65	89	01.12-	*
1.4 LPG (8FN (EP3))		Gasol./Gas (LPG)	FWD	1397	70	95	06.13-09.16	*
1.5 Flex		Gasol./Etanol	FWD	1449	68	92	08.12-12.16	*
1.6 HDi (9HJ (DV6DTEDM))		Diesel	FWD	1560	68	92	11.09-09.16	*
1.6 HDi (9HP (DV6DTED))		Diesel	FWD	1560	68	92	11.09-09.16	*
<b>C3 Pluriel (HB_) 05.03-</b>					<b>Cabrio (Supermini car-B Segment)</b>			
1.4 (KFV (TU3A))		Gasolina	FWD	1360	54	73	05.03-	*
1.4 (KFV (TU3JP))		Gasolina	FWD	1360	54	73	05.03-	*
1.4 (KFV (TU3A))		Gasolina	FWD	1360	55	75	07.03-	*
1.6 (NFU (TU5JP4))		Gasolina	FWD	1587	80	109	05.03-	*
1.4 Hybrid		Gasol./eléc.	FWD	1360	54	73	05.05-	*
1.4 HDi (8HX (DV4TD))		Diesel	FWD	1398	50	68	04.04-	*
<b>CITROËN (DF-PSA)</b>								
<b>C2 (T11) 10.06-12.14</b>					<b>[CAMBIADO]:Fastback (Supermini car-B Segment)</b>			
1.6		Gasolina	FWD	1587	78	105	10.06-	*