


LISTA DE APLICACIONES - BUYERS GUIDE

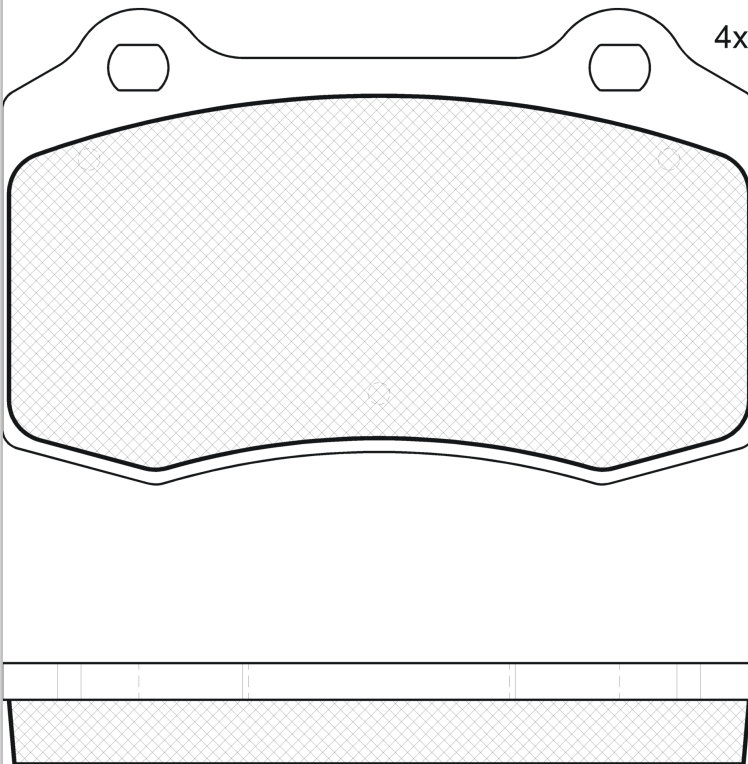
RB1447



8 424073 130761

Qty: 300 Weight: 1.505


O.E.M.	MAKE
16 196 074 80	PEUGEOT
3 066 555 2	VOLVO
3 068 385 8	VOLVO
3 068 385 80	VOLVO
3 068 513 60	VOLVO
4254.C6	CITROËN
6KL 698 151	SEAT
C2C 24016	JAGUAR
C2C 8361	JAGUAR
JLM21282	DE TOMASO
MXD-2750-AA	JAGUAR



4x

RB1447

E 9 **90R-01111/415**



Brembo

109.7x69.2x14.7

WVA 21381	FMSI D592-7831
---------------------	--------------------------

Sin Filas



Trac.	CC	Kw	CV		 Front / Rear
-------	----	----	----	---	---

CITROËN									
DS3 (SA_) 11.09-12.16						[CAMBIADO]:Fastback (Supermini car-B Segment)			
1.6 Racing (5FF (EP6DTS))			Gasolina	FWD	1598	149	203	02.11-07.15	*
1.6 Racing (5FD (EP6DTS))			Gasolina	FWD	1598	152	207	02.11-07.15	*
DS3 01.13-07.15						Cabrío (Supermini car-B Segment)			
1.6 Racing (5FF (EP6DTS))			Gasolina	FWD	1598	149	203	03.14-07.15	*
1.6 Racing (5FD (EP6DTS))			Gasolina	FWD	1598	152	207	03.14-07.15	*
DAIMLER									
DAIMLER II (X30_) 10.94-06.03						Sedán (Luxury car-F Segment)			
V8 Super 4.0 (DC)			Gasolina	RWD	3996	267	363	07.97-06.03	*
V8 Super 4.0 (AJ27S)			Gasolina	RWD	3996	276	375	07.97-06.03	*
DE TOMASO									
PANTERA 01.71-10.97						Coupé (Sports car-S Segment)			
4.9			Gasolina	FWD	4942	224	305	08.90-10.97	*
5.8			Gasolina	RWD	5769	228	310	01.71-12.93	*
DS									
DS 3 (SA_) 04.15-						[CAMBIADO]:Fastback (City car-A Segment)			
1.2 THP 110 / PureTech 110 (SAHNPS, SAHNZ6, SAHNZT) (HNP (EB2ADT))			Gasolina	FWD	1199	81	110	04.15-07.19	*
1.2 THP 110 / PureTech 110 (SAHNPS, SAHNZ6, SAHNZT) (HNZ (EB2DT))			Gasolina	FWD	1199	81	110	04.15-07.19	*
1.2 THP 130 (SAHNYM) (HNY (EB2DTS))			Gasolina	FWD	1199	96	130	09.15-07.19	*
1.6 THP (SA5GWM) (5GW (EP6FDT))			Gasolina	FWD	1598	110	150	07.15-07.19	*
1.6 THP (SA5GZM) (5GZ (EP6FDT))			Gasolina	FWD	1598	120	163	07.15-07.19	*

LISTA DE APLICACIONES - BUYERS GUIDE

1.6 THP 165 (SA5GZM) (5GZ (EP6FDT))	Gasolina	FWD	1598	121	165	07.15-07.19	*
1.6 THP 208 (SA5GRM) (5GR (EP6FDTX))	Gasolina	FWD	1598	153	208	09.15-07.19	*
1.6 BlueHDi 100 (SABHY0, SABHYT) (BHY (DV6FD))	Diesel	FWD	1560	73	99	04.15-07.19	*
1.6 BlueHDi 116 (SABHXM) (BHx (DV6FC))	Diesel	FWD	1560	85	116	07.15-07.19	*
1.6 BlueHDi 120 (SABHZM) (BHZ (DV6FC))	Diesel	FWD	1560	88	120	07.15-07.19	*
DS 3 (SB_) 07.15-							Cabrio (City car-A Segment)
1.2 THP 110 (HNP (EB2ADT))	Gasolina	FWD	1199	81	110	07.15-07.19	*
1.2 THP 110 (HNZ (EB2DT))	Gasolina	FWD	1199	81	110	07.15-07.19	*
1.2 THP 130 (HNY (EB2DTS))	Gasolina	FWD	1199	96	130	09.15-07.19	*
1.6 THP (SB5GWM) (5GX (EP6FDTMD))	Gasolina	FWD	1598	110	150	07.15-07.19	*
1.6 THP (5GZ (EP6FDT))	Gasolina	FWD	1598	120	163	07.15-07.19	*
1.6 THP 165 (5GZ (EP6FDT))	Gasolina	FWD	1598	121	165	07.15-07.19	*
1.6 THP 208 (5GR (EP6FDTX))	Gasolina	FWD	1598	153	208	09.15-07.19	*
1.6 BlueHDi 100 (BHY (DV6FD))	Diesel	FWD	1560	73	99	07.15-07.19	*
1.6 BlueHDi 116 (BHx (DV6FC))	Diesel	FWD	1560	85	116	07.15-07.19	*
1.6 BlueHDi 120 (BHZ (DV6FC))	Diesel	FWD	1560	88	120	07.15-07.19	*
JAGUAR							
S-TYPE II (X200) 10.98-12.08							Sedán (Executive car-E Segment)
R 4,2 V8 (AJ8FT)	Gasolina	RWD	4196	291	396	04.02-10.07	*
4.2 Supercharged (AJ8FT)	Gasolina	RWD	4196	298	405	11.01-12.08	*
XJ (X350, X358) 03.03-03.09							Sedán (Luxury car-F Segment)
R 4.2 (AJ33SC)	Gasolina	RWD	4196	291	395	03.03-03.09	*
R 4.2 (AJ8FT)	Gasolina	RWD	4196	291	395	03.03-03.09	*
XJ / VANDEN PLAS (X308) 09.96-06.03							Sedán (Luxury car-F Segment)
3.2	Gasolina	RWD	3248	174	237	07.97-05.03	*
3.2 (AJ32)	Gasolina	RWD	3248	179	243	11.97-06.03	*
4.0 (DC)	Gasolina	RWD	3996	267	363	07.97-05.03	*
4.0 XJR (AJ27S)	Gasolina	RWD	3996	276	375	09.97-05.03	*
XK 8 (X100) 03.96-12.06							Cabrio (Grand Tourer-S Segment)
4.0 (AJ-V8)	Gasolina	RWD	3996	216	294	05.96-07.99	*
4.0 (EC)	Gasolina	RWD	3996	267	363	02.98-07.05	*
R 4.2 (AJ8FT)	Gasolina	RWD	4196	291	396	08.02-12.06	*
XK 8 (X100) 03.96-12.06							Coupé (Grand Tourer-S Segment)
4.0 (AJ26)	Gasolina	RWD	3996	216	294	05.96-07.05	*
4.0 (AJ-V8)	Gasolina	RWD	3996	216	294	05.96-07.05	*
4.0 (EC)	Gasolina	RWD	3996	267	363	02.98-07.05	*
R 4.2 (AJ8FT)	Gasolina	RWD	4196	291	396	08.02-07.05	*
PEUGEOT							
208 (CA_, CC_) 03.12-							[CAMBIADO]:Fastback (Supermini car-B Segment)
1.6 GTi (CA5FU8) (5FU (EP6CDTX))	Gasolina	FWD	1598	147	200	08.12-12.19	*
1.6 GTi (5GR (EP6FDTX))	Gasolina	FWD	1598	153	208	10.14-12.19	*
SEAT							
CORDOBA (6K1, 6K2) 02.93-12.02							Sedán (Supermini car-B Segment)
1.8 T 20V Cupra (AQX)	Gasolina	FWD	1781	115	156	07.00-10.02	*
1.8 T 20V Cupra (AYP)	Gasolina	FWD	1781	115	156	07.00-10.02	*
IBIZA II (6K1) 03.93-05.02							[CAMBIADO]:Fastback (Supermini car-B Segment)
1.8 T 20V Cupra (AQX)	Gasolina	FWD	1781	115	156	07.00-02.02	*

LISTA DE APLICACIONES - BUYERS GUIDE

1.8 T 20V Cupra (AYP)	Gasolina	FWD	1781	115	156	07.00-02.02	*
VOLVO							
S60 (384) 07.00-04.10					Sedán (Compact executive car-D Segment)		
R 2,5 T AWD (B 5254 T4)	Gasolina	4WD	2521	221	300	01.03-04.10	*
2.5	Gasolina	FWD	2521	224	300	09.03-04.10	*
V70 II (285) 11.99-12.08					[CAMBIADO]:Break (Executive car-E Segment)		
2.5 R Sport	Gasolina	FWD	2521	221	300	12.02-08.07	*
R 2,5 T AWD (B 5254 T4)	Gasolina	4WD	2521	221	300	03.03-08.07	*