

LISTA DE APLICACIONES - BUYERS GUIDE

RB1445-701

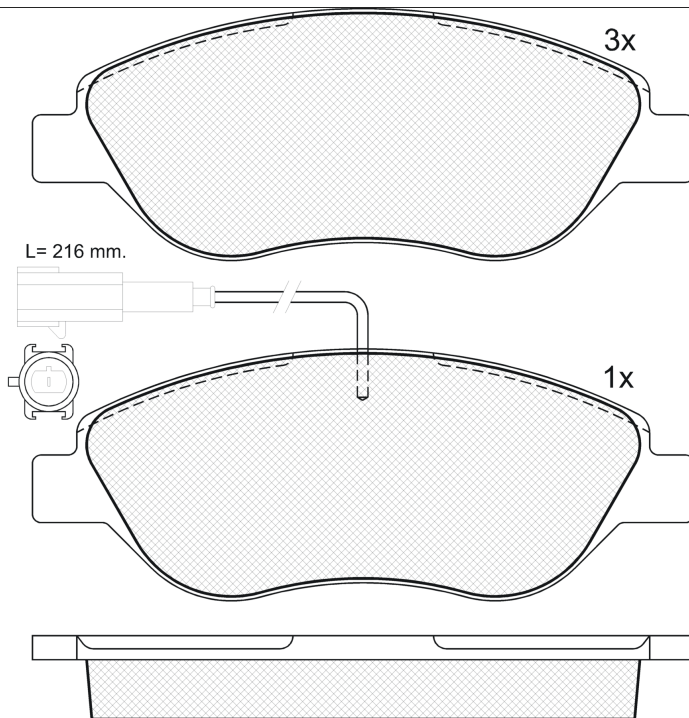


8 424073 130747

Qty: 300

Weight: 1.854

O.E.M.	MAKE
7 736 209 3	FIAT
7 736 219 6	FIAT
7 736 249 6	FIAT
7 736 458 9	LANCIA
7 736 518 8	FIAT
7 736 648 9	FIAT
9 949 279	LANCIA



RB1445-701



E 9 90R-01111/587

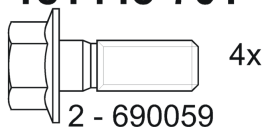
Bosch

150.8x57.64x19

WVA	FMSI
23711	D1536-8745
23712	
23713	

Sin Filas

181445-701



4x

2 - 690059



Trac.	CC	Kw	CV
-------	----	----	----



Front / Rear

ALFA ROMEO

							[CAMBIADO]:Fastback (Supermini car-B Segment)			
MITO (955_) 08.08-										
1.4 TJet (955AXG1A) (198 A4.000)		Gasolina	FWD	1368	88	120	08.08-08.13	*		
1.4 Turbo MultiAir (955AXS1B, 955AXS11) (955 A2.000)		Gasolina	FWD	1368	99	135	10.09-12.14	*		
1.4 Turbo MultiAir (955AXS1B, 955AXS11) (955 A7.000)		Gasolina	FWD	1368	99	135	10.09-12.14	*		
1.4 Bifuel (955AXG1A) (198 A4.000)		Gasol./Gas (LPG)	FWD	1368	88	120	01.09-08.16	*		
1.4 Bifuel (955.AXG1A) (198 A4.000)		Gasol./Gas (CNG)	FWD	1368	88	120	04.16-10.18	*		
1.6 JTDM (955AXE1B) (955 A4.000)		Diesel	FWD	1598	85	115	08.08-08.15	*		
1.6 JTDM (955AXC1B) (198 A2.000)		Diesel	FWD	1598	88	120	08.08-08.15	*		
1.6 JTDM (955AXC1B) (955 A3.000)		Diesel	FWD	1598	88	120	08.08-08.15	*		

CHRYSLER

							[CAMBIADO]:Fastback (Compact car-C Segment)		
DELTA 08.11-									
1.4 16V (198 A7.000)		Gasolina	FWD	1368	103	140	08.11-	*	

FIAT

							[CAMBIADO]:Fastback (Compact car-C Segment)		
BRAVO II / RITMO III (198_) 11.06-									
1.4 16V (198AXS1B) (198 A7.000)		Gasolina	FWD	1368	103	140	04.10-12.14	*	
1.4 T-Jet (198AXF1B) (198 A1.000)		Gasolina	FWD	1368	110	150	09.07-12.14	*	
1.4 T-Jet (198257)		Gasolina	FWD	1368	112	152	06.11-12.16	*	
1.9 D Multijet (198AXC1B) (937 A5.000)		Diesel	FWD	1910	110	150	04.07-12.14	*	
2.0 D Multijet (198AXPIB) (198 A8.000)		Diesel	FWD	1956	120	163	09.08-12.14	*	
2.0 D Multijet (198AXPIB) (844 A2.000)		Diesel	FWD	1956	120	163	09.08-12.14	*	

LISTA DE APLICACIONES - BUYERS GUIDE

2.0 D Multijet (198AXN1B) (198 A5.000)	Diesel	FWD	1956	121	165	09.08-12.14	*
STILO (192_) 10.01-11.10				[CAMBIADO]:Fastback (Compact car-C Segment)			
2.4 20V	Gasolina	FWD	2446	123	167	01.04-11.06	*
2.4 20V (192_XD1A, 192AXD12) (192 A2.000)	Gasolina	FWD	2446	125	170	10.01-04.07	*
1.9 JTD (937 A4.000)	Diesel	FWD	1910	93	126	09.03-11.06	*
1.9 JTD (192 B1.000)	Diesel	FWD	1910	100	136	04.04-11.06	*
1.9 JTD (192 A5.000)	Diesel	FWD	1910	103	140	01.04-08.05	*
1.9 D Multijet (937 A5.000)	Diesel	FWD	1910	110	150	09.05-11.06	*
STILO (192_) 10.01-08.08				[CAMBIADO]:Furgón/Break (Compact car-C Segment)			
1.9 JTD (192DXG1B) (937 A4.000)	Diesel	FWD	1910	93	126	09.03-08.05	*
1.9 JTD (192DXG1B) (192 B1.000)	Diesel	FWD	1910	100	136	02.04-08.08	*
1.9 JTD (192DXG1B) (192 A5.000)	Diesel	FWD	1910	103	140	09.03-08.05	*
1.9 JTD (192DXT1B) (937 A5.000)	Diesel	FWD	1910	110	150	09.05-08.08	*
STILO Multi Wagon (192_) 01.03-08.08				[CAMBIADO]:Break (Compact car-C Segment)			
2.4 20V (19245ZO) (192 A7.011)	Gasolina	FWD	2446	123	167	01.04-08.08	*
1.9 JTD (937 A4.000)	Diesel	FWD	1910	93	126	09.03-08.08	*
1.9 JTD (192 B1.000)	Diesel	FWD	1910	100	136	04.04-08.08	*
1.9 JTD (192 A5.000)	Diesel	FWD	1910	103	140	01.04-08.08	*
1.9 D Multijet (192DXT1B) (937 A5.000)	Diesel	FWD	1910	110	150	09.05-08.08	*
TIPO / EGEE (356_, 357_) 03.16-				[CAMBIADO]:Break (Compact car-C Segment)			
1.5 T4 Hybrid	Gasol./el éc.	FWD	1469	96	131	03.22-	*
TIPO / EGEE (356_, 357_) 03.16-				[CAMBIADO]:Fastback (Compact car-C Segment)			
1.5 T4 Hybrid	Gasol./el éc.	FWD	1469	96	131	03.22-	*
TIPO / EGEE (356_, 357_) 10.15-				Sedán (Compact car-C Segment)			
1.5 T4 Hybrid	Gasol./el éc.	FWD	1469	96	131	03.22-	*
LANCIA							
DELTA III (844_) 08.08-08.14				[CAMBIADO]:Fastback (Compact car-C Segment)			
1.4 (844.AXA1A) (198 A4.000)	Gasolina	FWD	1368	88	120	09.08-08.14	*
1.4 16V (844.AXL1A) (198 A7.000)	Gasolina	FWD	1368	103	140	07.10-08.14	*
1.4 (844.AXB1A) (198 A1.000)	Gasolina	FWD	1368	110	150	09.08-08.14	*
1.6 D Multijet (844.AXF11, 844.AXF1A) (955 A4.000)	Diesel	FWD	1598	85	116	08.08-08.14	*
LYBRA (839_) 07.99-10.05				Sedán (Compact executive car-D Segment)			
2.4 LX Blind	Gasolina	FWD	2395	124	169	07.99-	*
2.4 20V (839.CXM1A) (192 A2.000)	Gasolina	FWD	2446	125	170	10.01-10.05	*