

LISTA DE APLICACIONES - BUYERS GUIDE

RB1444-208

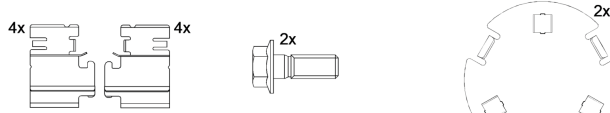
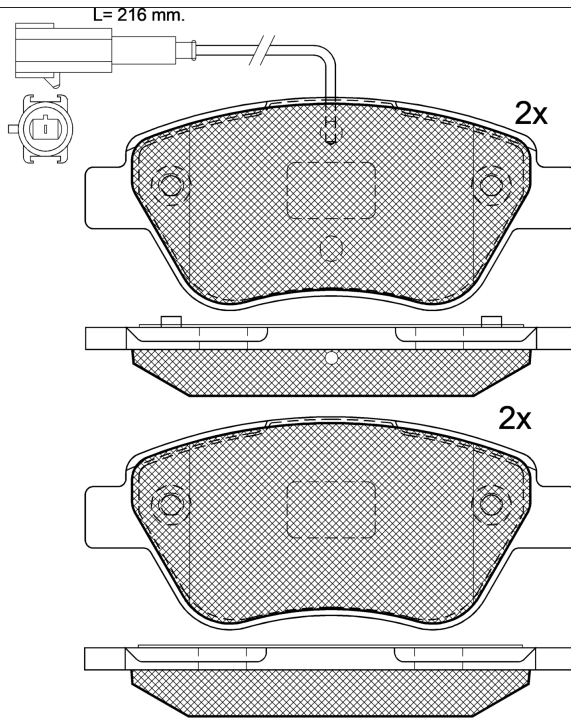


8 424073 150066

Qty: 300

Weight: 1.405

O.E.M.	MAKE
16 181 115 80	CITROËN



1-Ref. 690273 E 1-Ref. 690059

2-Ref. 651428

RB1444-208

E 9 90R-02A0111/4605



Bosch

122.9x53.2x17.8

WVA	FMSI
23706	D1616-9172
23707	
23982	

Sin Filas



Trac.	CC	Kw	CV
-------	----	----	----



Front / Rear

CITROËN

E-MEHARI 06.16-

Cabrio (Off-Road SUV-J Segment)

Electric	Eléctrico	FWD		42	57	06.16-	*
Electric	Eléctrico	FWD		50	68	06.16-	*