

# LISTA DE APLICACIONES - BUYERS GUIDE

## RB1430-066

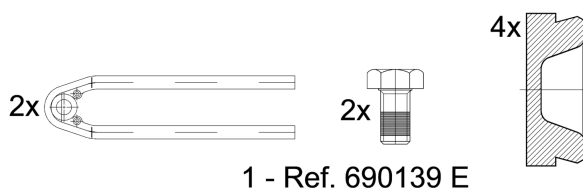
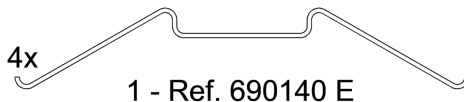
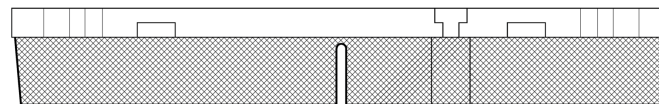
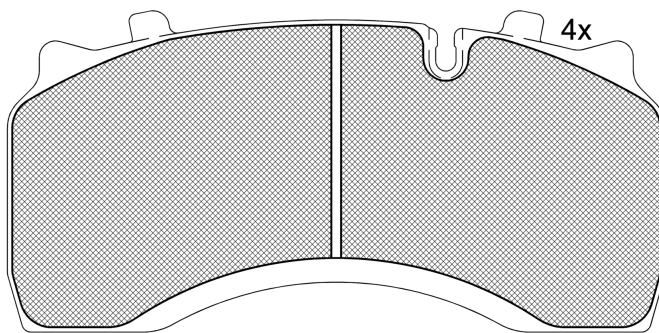


8 424073 130495

Qty: 660

Weight: 9.100

| O.E.M.          | MAKE           |
|-----------------|----------------|
| 144 0504        | DAF            |
| 2611-12999747VT | MACK           |
| 5001 855 902    | RENAULT TRUCKS |
| 7485 137 789    | RENAULT TRUCKS |



## RB1430-066

**E 9** 90R-01178/749



Perrot-Wabco PAN 19-2

204.2x99.7x29.85

| WVA   | FMSI       |
|-------|------------|
| 29119 | D1517-8726 |
| 29141 |            |
| 29142 |            |

Sin Filas



| Trac. | CC | Kw | CV |
|-------|----|----|----|
|-------|----|----|----|



Front / Rear

### DAF

#### LF 55 01.01-

|           |            |        |      |     |     |        | Cabeza tractora |   |  |
|-----------|------------|--------|------|-----|-----|--------|-----------------|---|--|
| FT 55.180 | (CE 136 C) | Diesel | 5880 | 136 | 185 | 01.01- | *               | * |  |
| FT 55.220 | (CE 162 C) | Diesel | 5880 | 162 | 220 | 01.01- | *               | * |  |
| FT 55.250 | (CE 184 C) | Diesel | 5880 | 184 | 250 | 01.01- | *               | * |  |

#### LF 55 01.01-

|           |            |        |      |     |     |        | Caja/Chasis |   |  |
|-----------|------------|--------|------|-----|-----|--------|-------------|---|--|
| FA 55.170 | (BE 123 C) | Diesel | 3920 | 123 | 167 | 01.01- | *           | * |  |
| FA 55.180 | (CE 136 C) | Diesel | 5880 | 136 | 185 | 01.01- | *           | * |  |
| FA 55.180 | (CE 136 C) | Diesel | 5880 | 136 | 185 | 01.01- | *           | * |  |
| FA 55.220 | (CE 162 C) | Diesel | 5880 | 162 | 220 | 01.01- | *           | * |  |
| FA 55.220 | (CE 162 C) | Diesel | 5880 | 162 | 220 | 01.01- | *           | * |  |
| FA 55.250 | (CE 184 C) | Diesel | 5880 | 184 | 250 | 01.01- | *           | * |  |

### RENAULT TRUCKS

|        |         |        |      |     |     |        | Caja/Chasis |   |  |
|--------|---------|--------|------|-----|-----|--------|-------------|---|--|
| 220.12 | (DXI 5) | Diesel | 4764 | 158 | 220 | 05.06- | *           | * |  |
| 220.14 | (DXI 5) | Diesel | 4764 | 158 | 220 | 05.06- | *           | * |  |

#### Midlum 01.00-

|           |                      |        |      |     |     |             | Cabeza tractora |   |  |
|-----------|----------------------|--------|------|-----|-----|-------------|-----------------|---|--|
| 250.16/CT | (MIDR 06.02.26 Y/41) | Diesel | 6177 | 184 | 250 | 01.00-      | *               | * |  |
| 270.16/B  |                      | Diesel | 6177 | 195 | 265 | 10.01-      | *               | * |  |
| 270.16/C  | (DCI 6A)             | Diesel | 6177 | 195 | 265 | 10.01-      | *               | * |  |
| 270.15    |                      | Diesel | 6177 | 198 | 269 | 07.01-04.06 | *               | * |  |

#### Midlum 01.00-

|        |  |        |      |     |     |             | Caja/Chasis |   |  |
|--------|--|--------|------|-----|-----|-------------|-------------|---|--|
| 180.14 |  | Diesel | 4118 | 130 | 177 | 07.01-04.06 | *           | * |  |

## LISTA DE APLICACIONES - BUYERS GUIDE

|  |  |        |  |      |     |     |                        |   |   |  |
|--|--|--------|--|------|-----|-----|------------------------|---|---|--|
| 180.16   |  | Diesel |  | 4118 | 130 | 177 | 07.01-04.06            | * | * |  |
| 210.12/C, 220.12/C (DCI 6W)                      |  | Diesel |  | 6177 | 154 | 209 | 01.00-                 | * | * |  |
| 210.12/C, 220.12/C (MIDR 06.02.26 W/4)           |  | Diesel |  | 6177 | 154 | 209 | 01.00-                 | * | * |  |
| 210.13/C, 220.13/C, 220.13/D (DCI 6W)            |  | Diesel |  | 6177 | 154 | 209 | 01.00-                 | * | * |  |
| 210.13/C, 220.13/C, 220.13/D (MIDR 06.02.26 W/4) |  | Diesel |  | 6177 | 154 | 209 | 01.00-                 | * | * |  |
| 210.14/C, 220.14/C, 220.14/D (DCI 6W)            |  | Diesel |  | 6177 | 154 | 209 | 01.00-                 | * | * |  |
| 210.14/C, 220.14/C, 220.14/D (MIDR 06.02.26 W/4) |  | Diesel |  | 6177 | 154 | 209 | 01.00-                 | * | * |  |
| 210.15/C (MIDR 06.02.26 W/4)                     |  | Diesel |  | 6177 | 154 | 209 | 01.00-                 | * | * |  |
| 210.16/C, 220.16/C, 22.16/D (DCI 6W)             |  | Diesel |  | 6177 | 154 | 209 | 01.00-                 | * | * |  |
| 210.16/C, 220.16/C, 22.16/D (MIDR 06.02.26 W/4)  |  | Diesel |  | 6177 | 154 | 209 | 01.00-                 | * | * |  |
| 220.12 (DCI 6W)                                  |  | Diesel |  | 6177 | 158 | 215 | 10.01-                 | * | * |  |
| 220.14 (DCI 6W)                                  |  | Diesel |  | 6177 | 158 | 215 | 10.01-                 | * | * |  |
| 220.16 (DCI 6W)                                  |  | Diesel |  | 6177 | 158 | 215 | 10.01-                 | * | * |  |
| 220.18/D (DCI 6W)                                |  | Diesel |  | 6177 | 158 | 215 | 10.01-                 | * | * |  |
| 220.13   |  | Diesel |  | 6177 | 160 | 218 | 07.01-04.06            | * | * |  |
| 220.15   |  | Diesel |  | 6177 | 160 | 218 | 07.01-12.06            | * | * |  |
| 220.18   |  | Diesel |  | 6177 | 160 | 218 | 07.01-04.06            | * | * |  |
| 250.12/C (MIDR 06.02.26 Y/41)                    |  | Diesel |  | 6177 | 184 | 250 | 01.00-                 | * | * |  |
| 250.13/C (MIDR 06.02.26 Y/41)                    |  | Diesel |  | 6177 | 184 | 250 | 01.00-                 | * | * |  |
| 250.14/C (MIDR 06.02.26 Y/41)                    |  | Diesel |  | 6177 | 184 | 250 | 01.00-                 | * | * |  |
| 250.15/C (MIDR 06.02.26 Y/41)                    |  | Diesel |  | 6177 | 184 | 250 | 01.00-                 | * | * |  |
| 250.16/C (MIDR 06.02.26 Y/41)                    |  | Diesel |  | 6177 | 184 | 250 | 01.00-                 | * | * |  |
| 270.12/C (DCI 6A)                                |  | Diesel |  | 6177 | 195 | 265 | 10.01-                 | * | * |  |
| 270.13/C, 270.13/D (DCI 6A)                      |  | Diesel |  | 6177 | 195 | 265 | 10.01-                 | * | * |  |
| 270.14/C, 270.14/D (DCI 6A)                      |  | Diesel |  | 6177 | 195 | 265 | 10.01-                 | * | * |  |
| 270.16/C, 270.16/D (DCI 6A)                      |  | Diesel |  | 6177 | 195 | 265 | 10.01-                 | * | * |  |
| 270.18/D (DCI 6A)                                |  | Diesel |  | 6177 | 195 | 265 | 10.01-                 | * | * |  |
| 270.15   |  | Diesel |  | 6177 | 198 | 269 | 07.01-04.06            | * | * |  |
| <b>Midlum 01.00-</b>                             |  |        |  |      |     |     | <b>Camión volquete</b> |   |   |  |
| 210.12/C (MIDR 06.02.26 W/4)                     |  | Diesel |  | 6177 | 154 | 209 | 01.00-                 | * | * |  |
| 210.13/C (MIDR 06.02.26 W/4)                     |  | Diesel |  | 6177 | 154 | 209 | 01.00-                 | * | * |  |
| 210.15/C (MIDR 06.02.26 W/4)                     |  | Diesel |  | 6177 | 154 | 209 | 01.00-                 | * | * |  |
| 250.12/C (MIDR 06.02.26 Y/41)                    |  | Diesel |  | 6177 | 184 | 250 | 01.00-                 | * | * |  |
| 250.13/C (MIDR 06.02.26 Y/41)                    |  | Diesel |  | 6177 | 184 | 250 | 01.00-                 | * | * |  |
| 250.15/C (MIDR 06.02.26 Y/41)                    |  | Diesel |  | 6177 | 184 | 250 | 01.00-                 | * | * |  |
| <b>Midlum 01.00-</b>                             |  |        |  |      |     |     | <b>Veh. Municipal</b>  |   |   |  |
| 220.15 (DCI 6W)                                  |  | Diesel |  | 6177 | 158 | 215 | 10.01-                 | * | * |  |