

LISTA DE APLICACIONES - BUYERS GUIDE

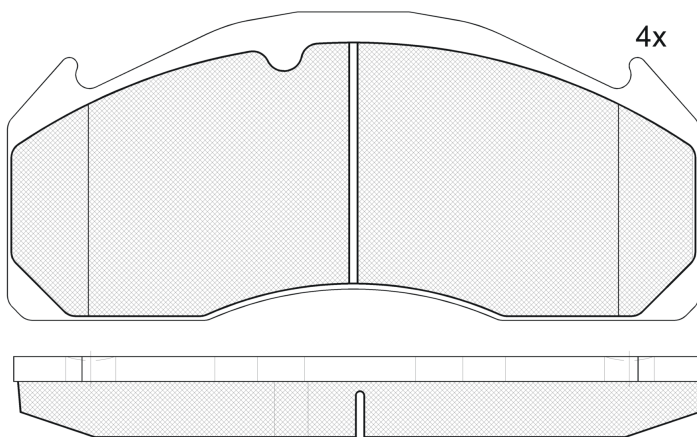
RB1427



Qty: 660

Weight: 11.212

O.E.M.	MAKE
1 078 439	VOLVO
2 076 809 2	VOLVO
2 091 889 1	VOLVO
2 093 134 30	VOLVO
3 095 396	VOLVO
MDP1388	MERITOR



RB1427

E 9 90R-01178/663



Meritor D-DUCO

249.2x111x29

WVA	FMSI
29125	D1560-8771
29222	
29224	
29277	

Sin Filas

151427-066



1 - 690129 E



1 - 690136 E



Trac.	CC	Kw	CV
-------	----	----	----



Front / Rear

MERITOR

LMC									Eje remolque
LMC								01.53-	*
TA									Eje remolque
TA								01.53-	*
TAC									Eje remolque
TAC								01.53-	*
TM									Eje remolque
TM								01.53-	*
TM								01.53-	*

PLAXTON

ELITE 11.08-									Bus
ELITE (DH12E420)		Diesel		12130	309	420	01.09-		* *
PANTHER 10.99-									Bus
PANTHER (D 2066 LOH 02)		Diesel		10518	265	360	01.06-		* *
PANTHER (D 2066 LOH 03)		Diesel		10518	294	400	01.06-		* *

VOLVO

01.06-12.11									Cabeza tractora
310 (7A310)		Diesel		7118	228	310	01.06-		* *
09.03-12.05									Caja/Chasis
240 (7A240)		Diesel		7118	176	239	01.03-		* *
240 (7A240)		Diesel		7118	176	239	01.03-		* *

LISTA DE APLICACIONES - BUYERS GUIDE

260 (7A260)		Diesel		7118	191	260	01.06-12.11	*	*
7300 01.99-								Bus	
7300		Diesel		12130	280	381	01.99-	*	*
7300		Diesel		12130	280	381	01.99-	*	*
9700 04.01-								Bus	
9700 (DH12D340)		Diesel		12130	250	340	04.01-	*	*
9700 (DH12E340)		Diesel		12130	250	340	04.01-	*	*
9700 (DH12D340)		Diesel		12130	250	340	10.01-	*	*
9700 (DH12E340)		Diesel		12130	250	340	10.01-	*	*
9700 (DH12D380)		Diesel		12130	280	380	04.01-	*	*
9700 (DH12E380)		Diesel		12130	280	380	04.01-	*	*
9700 (DH12D380)		Diesel		12130	280	380	10.01-	*	*
9700 (DH12E380)		Diesel		12130	280	380	10.01-	*	*
9700		Diesel		12130	280	381	04.01-	*	*
9700 (DH12D420)		Diesel		12130	309	420	04.01-	*	*
9700 (DH12E420)		Diesel		12130	309	420	04.01-	*	*
9700 (DH12D420)		Diesel		12130	309	420	10.01-	*	*
9700 (DH12E420)		Diesel		12130	309	420	10.01-	*	*
9900 01.99-								Bus	
9900		Diesel		12130	280	381	01.99-	*	*
9900		Diesel		12130	280	381	01.99-	*	*
9900 (DH12D420)		Diesel		12130	309	420	10.01-	*	*
9900 (DH12E420)		Diesel		12130	309	420	10.01-	*	*
9900 (DH12D420)		Diesel		12130	309	420	10.01-	*	*
9900 (DH12E420)		Diesel		12130	309	420	10.01-	*	*
B12 01.91-								Bus	
B12		Diesel		11980	224	305	01.91-12.06	*	*
B12 (DH12E340)		Diesel		12130	250	340	02.06-	*	*
B12 (DH12D340)		Diesel		12130	250	340	02.06-	*	*
B12 (DH12E340)		Diesel		12130	250	340	02.06-	*	*
B12		Diesel		12130	250	340	10.10-	*	
B12 (DH12E380)		Diesel		12130	280	380	02.06-	*	*
B12 (DH12E380)		Diesel		12130	280	380	02.06-	*	*
B12		Diesel		12130	305	415	01.91-12.06	*	*
B12 (D12C420)		Diesel		12130	309	420	02.06-	*	*
B12 (D12D420)		Diesel		12130	309	420	02.06-	*	*
B12 (DH12E420)		Diesel		12130	309	420	02.06-	*	*
B12 (D12C420)		Diesel		12130	309	420	02.06-	*	*
B12 (D12D420)		Diesel		12130	309	420	02.06-	*	*
B12 (DH12E420)		Diesel		12130	309	420	02.06-	*	*
B12 (DH12E460)		Diesel		12130	338	460	02.06-	*	*
B12 (DH12E460)		Diesel		12130	338	460	02.06-	*	*
B9 01.02-								Bus	
B9 (D9B260)		Diesel		9364	191	260	09.05-	*	*
B9 (D9B260)		Diesel		9364	191	260	09.05-	*	*
B9 (D9B310)		Diesel		9364	228	310	09.05-	*	*
B9 (D9B310)		Diesel		9364	228	310	09.05-	*	*
B9 (D9B360)		Diesel		9364	265	360	09.05-	*	*
B9 (D9B360)		Diesel		9364	265	360	09.05-	*	*

LISTA DE APLICACIONES - BUYERS GUIDE

B9 01.02-						Bus			
B9 (G9A260)		Gasolina		9364	191	260	09.05-	*	*
B9 (G9A260)		Gasolina		9364	191	260	09.05-	*	*
B9 (G9A300)		Gasolina		9364	223	300	09.05-	*	*
B9 (G9A300)		Gasolina		9364	223	300	09.05-	*	*
FH 09.05-						Cabeza tractora			
460		Diesel		12777	338	460	09.05-	*	*
FH12 08.93-						Cabeza tractora			
FH 12/340 (D12A340)		Diesel		12130	250	340	08.93-	*	*
FH 12/340 (D12C340)		Diesel		12130	250	340	08.93-	*	*
FH 12/340 (D12D340)		Diesel		12130	250	340	08.93-	*	*
FH 12/340 (D12A340)		Diesel		12130	250	340	01.95-	*	*
FH 12/340 (D12C340)		Diesel		12130	250	340	01.95-	*	*
FH 12/340 (D12D340)		Diesel		12130	250	340	01.95-	*	*
FH 12/340 (D12A340)		Diesel		12130	250	340	08.93-	*	*
FH 12/340 (D12C340)		Diesel		12130	250	340	08.93-	*	*
FH 12/340 (D12D340)		Diesel		12130	250	340	08.93-	*	*
FH 12/340 (D12A340)		Diesel		12130	250	340	08.93-	*	*
FH 12/340 (D12C340)		Diesel		12130	250	340	08.93-	*	*
FH 12/340 (D12D340)		Diesel		12130	250	340	08.93-	*	*
FH 12/340		Diesel		12130	250	340	08.93-	*	*
FH 12/380 (D12A380)		Diesel		12130	279	379	08.93-	*	*
FH 12/380 (D12C380)		Diesel		12130	279	379	08.93-	*	*
FH 12/380 (D12D380)		Diesel		12130	279	379	08.93-	*	*
FH 12/380 (D12A380)		Diesel		12130	279	379	01.95-	*	*
FH 12/380 (D12C380)		Diesel		12130	279	379	01.95-	*	*
FH 12/380 (D12D380)		Diesel		12130	279	379	01.95-	*	*
FH 12/380 (D12A380)		Diesel		12130	279	379	08.93-	*	*
FH 12/380 (D12C380)		Diesel		12130	279	379	08.93-	*	*
FH 12/380 (D12D380)		Diesel		12130	279	379	08.93-	*	*
FH 12/380 (D12A380)		Diesel		12130	279	379	08.93-	*	*
FH 12/380 (D12C380)		Diesel		12130	279	379	08.93-	*	*
FH 12/380 (D12D380)		Diesel		12130	279	379	08.93-	*	*
FH 12/380		Diesel		12130	279	379	08.93-	*	*
FH 12/420 (D12A420)		Diesel		12130	309	420	08.93-	*	*
FH 12/420 (D12C420)		Diesel		12130	309	420	08.93-	*	*
FH 12/420 (D12D420)		Diesel		12130	309	420	08.93-	*	*
FH 12/420 (D12A420)		Diesel		12130	309	420	01.95-	*	*
FH 12/420 (D12C420)		Diesel		12130	309	420	01.95-	*	*
FH 12/420 (D12D420)		Diesel		12130	309	420	01.95-	*	*
FH 12/420 (D12A420)		Diesel		12130	309	420	08.93-	*	*
FH 12/420 (D12C420)		Diesel		12130	309	420	08.93-	*	*
FH 12/420 (D12D420)		Diesel		12130	309	420	08.93-	*	*
FH 12/420 (D12A420)		Diesel		12130	309	420	08.93-	*	*
FH 12/420 (D12C420)		Diesel		12130	309	420	08.93-	*	*
FH 12/420 (D12D420)		Diesel		12130	309	420	08.93-	*	*
FH 12/420		Diesel		12130	309	420	08.93-	*	*
FH 12/460 (D12C460)		Diesel		12130	338	460	08.98-	*	*
FH 12/460 (D12D460)		Diesel		12130	338	460	08.98-	*	*
FH 12/460 (D12C460)		Diesel		12130	338	460	08.98-	*	*

LISTA DE APLICACIONES - BUYERS GUIDE

FH 12/420 (D12C420)		Diesel		12130	309	420	08.93-	*	*
FH 12/420 (D12D420)		Diesel		12130	309	420	08.93-	*	*
FH 12/460 (D12C460)		Diesel		12130	338	460	08.98-	*	*
FH 12/460 (D12D460)		Diesel		12130	338	460	08.98-	*	*
FH 12/460 (D12C460)		Diesel		12130	338	460	08.98-	*	*
FH 12/460 (D12D460)		Diesel		12130	338	460	08.98-	*	*
FH 12/460 (D12C460)		Diesel		12130	338	460	08.98-	*	*
FH 12/460 (D12D460)		Diesel		12130	338	460	08.98-	*	*
FH 12/460 (D12C460)		Diesel		12130	338	460	08.98-	*	*
FH 12/460 (D12D460)		Diesel		12130	338	460	08.98-	*	*
FH 12/460 (D12C460)		Diesel		12130	338	460	08.98-	*	*
FH 12/460 (D12D460)		Diesel		12130	338	460	08.98-	*	*
FH 12/500		Diesel		12130	368	500	09.01-	*	*
FH 12/500		Diesel		12130	368	500	09.01-	*	*
FH 12/380		Diesel		12132	279	379	08.93-09.05	*	*
FH 12/380		Diesel		12132	279	379	08.93-09.05	*	*
FH 12/380		Diesel		12132	279	379	08.93-09.05	*	*
FH 12/380		Diesel		12132	279	379	08.93-09.05	*	*
FH 12/380		Diesel		12132	279	379	08.93-09.05	*	*
FH 12/390		Diesel		12132	287	390	09.01-09.05	*	*
FH 12/420		Diesel		12132	309	420	08.93-09.05	*	*
FH 12/420		Diesel		12132	309	420	08.93-09.05	*	*
FH 12/420		Diesel		12132	309	420	08.93-09.05	*	*
FH 12/420		Diesel		12132	309	420	08.93-09.05	*	*
FH 12/420		Diesel		12132	309	420	08.93-09.05	*	*
FH 12/430		Diesel		12132	316	430	09.01-09.05	*	*
FH 12/460		Diesel		12132	338	460	09.98-09.05	*	*
FH 12/460		Diesel		12132	338	460	09.98-09.05	*	*
FH 12/460		Diesel		12132	338	460	09.98-09.05	*	*
FH 12/460		Diesel		12132	338	460	09.98-09.05	*	*
FH 12/460		Diesel		12132	338	460	09.98-09.05	*	*
FH 12/500		Diesel		12132	368	500	09.01-09.05	*	*
FH 12/500		Diesel		12132	368	500	09.01-09.05	*	*
FH 12/500		Diesel		12132	368	500	09.98-09.05	*	*
FH 12/500		Diesel		12132	368	500	09.98-09.05	*	*
FH 12/500		Diesel		12132	368	500	09.01-09.05	*	*
FH 12/500		Diesel		12132	368	500	09.01-09.05	*	*
FH 12/500		Diesel		12132	368	500	09.01-09.05	*	*
FH 12/500		Diesel		12132	368	500	09.01-09.05	*	*
FH 12/500		Diesel		12132	368	500	09.01-09.05	*	*
FH 12/500		Diesel		12132	368	500	09.01-09.05	*	*
FH 12/500		Diesel		12132	368	500	09.98-09.05	*	*
FH 12/500		Diesel		12132	368	500	09.98-09.05	*	*
FH12 08.93-				Camión volquete					
FH 12/340 (D12A340)		Diesel		12130	250	340	08.93-	*	*
FH 12/340 (D12C340)		Diesel		12130	250	340	08.93-	*	*
FH 12/340 (D12D340)		Diesel		12130	250	340	08.93-	*	*
FH 12/380 (D12A380)		Diesel		12130	279	379	08.93-	*	*
FH 12/380 (D12C380)		Diesel		12130	279	379	08.93-	*	*
FH 12/380 (D12D380)		Diesel		12130	279	379	08.93-	*	*
FH 12/420 (D12A420)		Diesel		12130	309	420	08.93-	*	*

LISTA DE APLICACIONES - BUYERS GUIDE

FH 16/540, FH 16/550	Diesel	16120	396	540	01.03-	*	*
FH 16/550	Diesel	16120	396	540	01.03-	*	*
FH 16/550	Diesel	16120	396	540	05.05-	*	*
FH 16/610 (D16C610)	Diesel	16120	449	610	01.03-	*	*
FH 16/610 (D16C610)	Diesel	16120	449	610	01.03-	*	*
FH 16/610 (D16C610)	Diesel	16120	449	610	01.03-	*	*
FH 16/610 (D16C610)	Diesel	16120	449	610	08.07-	*	*
FH 16/470	Diesel	16125	346	470	08.93-12.02	*	*
FH 16/470	Diesel	16125	346	470	08.93-12.02	*	*
FH 16/470	Diesel	16125	346	470	08.93-12.02	*	*
FH 16/470	Diesel	16125	346	470	08.93-12.02	*	*
FH 16/470	Diesel	16125	346	470	08.93-12.02	*	*
FH 16/470	Diesel	16125	346	470	08.93-12.02	*	*
FH 16/470	Diesel	16125	346	470	08.93-12.02	*	*
FH 16/470	Diesel	16125	346	470	08.93-12.02	*	*
FH 16/470	Diesel	16125	346	470	08.93-12.02	*	*
FH 16/470	Diesel	16125	346	470	08.93-12.02	*	*
FH 16/470	Diesel	16125	346	470	08.93-12.02	*	*
FH 16/470	Diesel	16125	346	470	08.93-12.02	*	*
FH 16/470	Diesel	16125	346	470	08.93-12.02	*	*
FH 16/470	Diesel	16125	346	470	08.93-12.02	*	*
FH 16/520	Diesel	16125	382	519	08.93-12.02	*	*
FH 16/520	Diesel	16125	382	519	08.93-12.02	*	*
FH 16/520	Diesel	16125	382	519	08.93-12.02	*	*
FH 16/520	Diesel	16125	382	519	08.93-12.02	*	*
FH 16/520	Diesel	16125	382	519	08.93-12.02	*	*
FH 16/540	Diesel	16125	397	540	01.05-	*	*
FH 16/540	Diesel	16125	397	540	01.05-	*	*
FH 16/550	Diesel	16125	405	551	01.03-	*	*
FH 16/550	Diesel	16125	405	551	01.03-	*	*
FH 16/580	Diesel	16125	426	579	01.05-	*	*
FH 16/580	Diesel	16125	426	579	01.05-	*	*
FH 16/580	Diesel	16125	426	579	01.05-	*	*
FH 16/580	Diesel	16125	426	579	01.05-	*	*
FH 16/580	Diesel	16125	426	579	01.05-	*	*
FH 16/580	Diesel	16125	426	579	01.05-	*	*
FH 16/580	Diesel	16125	426	579	01.05-	*	*
FH 16/580	Diesel	16125	426	579	01.05-	*	*
FH 16/600	Diesel	16125	441	600	01.08-	*	*
FH 16/600	Diesel	16125	441	600	01.08-	*	*
FH 16/600	Diesel	16125	441	600	01.08-	*	*
FH 16/600	Diesel	16125	441	600	01.08-	*	*
FH 16/600	Diesel	16125	441	600	01.08-	*	*
FH 16/600	Diesel	16125	441	600	01.08-	*	*
FH 16/600	Diesel	16125	441	600	01.08-	*	*
FH 16/600	Diesel	16125	441	600	01.08-	*	*
FH 16/600	Diesel	16125	441	600	01.08-	*	*
FH 16/600	Diesel	16125	441	600	01.08-	*	*
FH 16/610	Diesel	16125	449	610	01.03-	*	*
FH 16/610	Diesel	16125	449	610	01.03-	*	*
FH 16/610	Diesel	16125	449	610	01.03-	*	*
FH 16/660	Diesel	16125	485	659	01.05-	*	*

LISTA DE APLICACIONES - BUYERS GUIDE

FH 16/660		Diesel		16125	485	659	01.05-	*	*	
FH 16/660		Diesel		16125	485	659	01.05-	*	*	
FH 16/660		Diesel		16125	485	659	01.05-	*	*	
FH 16/660		Diesel		16125	485	659	01.05-	*	*	
FH 16/660		Diesel		16125	485	659	01.05-	*	*	
FH 16/700		Diesel		16125	515	700	01.09-	*	*	
FH 16/700		Diesel		16125	515	700	01.09-	*	*	
FH 16/700		Diesel		16125	515	700	01.09-	*	*	
FH 16/700		Diesel		16125	515	700	01.09-	*	*	
FH 16/700		Diesel		16125	515	700	01.09-	*	*	
FH 16/700		Diesel		16125	515	700	01.09-	*	*	
FH16 08.93-							Caja/Chasis			
FH 16/470 (D16A470)		Diesel		16120	346	470	08.93-12.99	*	*	
FH 16/470 (D16A470)		Diesel		16120	346	470	08.93-12.99	*	*	
FH 16/470 (D16A470)		Diesel		16120	346	470	08.93-12.99	*	*	
FH 16/520 (D16A520)		Diesel		16120	382	520	08.93-12.02	*	*	
FH 16/520 (D16B520)		Diesel		16120	382	520	08.93-12.02	*	*	
FH 16/520 (D16A520)		Diesel		16120	382	520	08.93-12.02	*	*	
FH 16/520 (D16B520)		Diesel		16120	382	520	08.93-12.02	*	*	
FH 16/520 (D16A520)		Diesel		16120	382	520	08.93-12.02	*	*	
FH 16/520 (D16B520)		Diesel		16120	382	520	08.93-12.02	*	*	
FH 16/520 (D16A520)		Diesel		16120	382	520	01.95-	*	*	
FH 16/520 (D16B520)		Diesel		16120	382	520	01.95-	*	*	
FH 16/540, FH 16/550 (D16C550)		Diesel		16120	396	540	01.03-	*	*	
FH 16/540, FH 16/550 (D16E540)		Diesel		16120	396	540	01.03-	*	*	
FH 16/540, FH 16/550 (D16G540)		Diesel		16120	396	540	01.03-	*	*	
FH 16/540, FH 16/550 (D16C550)		Diesel		16120	396	540	01.03-	*	*	
FH 16/540, FH 16/550 (D16E540)		Diesel		16120	396	540	01.03-	*	*	
FH 16/540, FH 16/550 (D16G540)		Diesel		16120	396	540	01.03-	*	*	
FH 16/540, FH 16/550 (D16C550)		Diesel		16120	396	540	01.03-	*	*	
FH 16/540, FH 16/550 (D16E540)		Diesel		16120	396	540	01.03-	*	*	
FH 16/540, FH 16/550 (D16G540)		Diesel		16120	396	540	01.03-	*	*	
FH 16/540, FH 16/550 (D16C550)		Diesel		16120	396	540	01.03-	*	*	
FH 16/540, FH 16/550 (D16E540)		Diesel		16120	396	540	01.03-	*	*	
FH 16/540, FH 16/550 (D16C550)		Diesel		16120	396	540	01.03-	*	*	
FH 16/540, FH 16/550 (D16E540)		Diesel		16120	396	540	01.03-	*	*	
FH 16/550		Diesel		16120	396	540	05.05-	*	*	
FH 16/610 (D16C610)		Diesel		16120	449	610	01.03-	*	*	
FH 16/610 (D16C610)		Diesel		16120	449	610	01.03-	*	*	
FH 16/610 (D16C610)		Diesel		16120	449	610	01.03-	*	*	
FH 16/610 (D16C610)		Diesel		16120	449	610	01.03-	*	*	
FH 16/610 (D16C610)		Diesel		16120	449	610	01.03-	*	*	
FH 16/470		Diesel		16125	346	470	08.93-12.02	*	*	
FH 16/470		Diesel		16125	346	470	08.93-12.02	*	*	
FH 16/470		Diesel		16125	346	470	08.93-12.02	*	*	
FH 16/470		Diesel		16125	346	470	08.93-12.02	*	*	
FH 16/470		Diesel		16125	346	470	08.93-12.02	*	*	
FH 16/470		Diesel		16125	346	470	08.93-12.02	*	*	
FH 16/470		Diesel		16125	346	470	08.93-12.02	*	*	
FH 16/470		Diesel		16125	346	470	08.93-12.02	*	*	
FH 16/520		Diesel		16125	382	519	08.93-12.02	*	*	

LISTA DE APLICACIONES - BUYERS GUIDE

FH 16/520		Diesel		16125	382	519	08.93-12.02	*	*
FH 16/520		Diesel		16125	382	519	08.93-12.02	*	*
FH 16/520		Diesel		16125	382	519	08.93-12.02	*	*
FH 16/520		Diesel		16125	382	519	08.93-12.02	*	*
FH 16/520		Diesel		16125	382	519	08.93-12.02	*	*
FH 16/520		Diesel		16125	382	519	08.93-12.02	*	*
FH 16/520		Diesel		16125	382	519	08.93-12.02	*	*
FH 16/550		Diesel		16125	405	551	01.03-	*	*
FH 16/550		Diesel		16125	405	551	01.03-	*	*
FH 16/600		Diesel		16125	441	600	01.08-	*	*
FH 16/600		Diesel		16125	441	600	01.08-	*	*
FH 16/600		Diesel		16125	441	600	01.08-	*	*
FH 16/600		Diesel		16125	441	600	01.08-	*	*
FH 16/600		Diesel		16125	441	600	01.08-	*	*
FH 16/600		Diesel		16125	441	600	01.08-	*	*
FH 16/600		Diesel		16125	441	600	01.08-	*	*
FH 16/610		Diesel		16125	449	610	01.03-	*	*
FH 16/660		Diesel		16125	485	659	01.05-	*	*
FH 16/700		Diesel		16125	515	700	01.09-	*	*
FH 16/700		Diesel		16125	515	700	01.09-	*	*
FH 16/700		Diesel		16125	515	700	01.09-	*	*
FH 16/700		Diesel		16125	515	700	01.09-	*	*
FH 16/700		Diesel		16125	515	700	01.09-	*	*
FH 16/700		Diesel		16125	515	700	01.09-	*	*
FL 03.00-								Cabeza tractora	
FL 180-16		Diesel		5476	132	179	05.00-08.06	*	*
FL 180-17		Diesel		5476	132	179	05.00-08.06	*	*
FL 180-18		Diesel		5476	132	179	05.00-08.06	*	*
FL 180-19		Diesel		5476	132	179	05.00-08.06	*	*
FL 180-21		Diesel		5476	132	179	05.00-08.06	*	*
FL 180-26		Diesel		5476	132	179	05.00-08.06	*	*
FL 220-16		Diesel		5476	162	220	05.00-08.06	*	*
FL 220-17		Diesel		5476	162	220	05.00-08.06	*	*
FL 220-18		Diesel		5476	162	220	05.00-08.06	*	*
FL 220-19		Diesel		5476	162	220	05.00-08.06	*	*
FL 220-21		Diesel		5476	162	220	05.00-08.06	*	*
FL 220-26		Diesel		5476	162	220	05.00-08.06	*	*
FL 250-16		Diesel		5476	185	252	05.00-08.06	*	*
FL 250-17		Diesel		5476	185	252	05.00-08.06	*	*
FL 250-18		Diesel		5476	185	252	05.00-08.06	*	*
FL 250-19		Diesel		5476	185	252	05.00-08.06	*	*
FL 250-21		Diesel		5476	185	252	05.00-08.06	*	*
FL 250-26		Diesel		5476	185	252	05.00-08.06	*	*
FL 03.00-								Caja/Chasis	
FL 180-16		Diesel		5476	132	179	05.00-08.06	*	*
FL 180-17		Diesel		5476	132	179	05.00-08.06	*	*
FL 180-18		Diesel		5476	132	179	05.00-08.06	*	*
FL 180-19		Diesel		5476	132	179	05.00-08.06	*	*
FL 180-21		Diesel		5476	132	179	05.00-08.06	*	*
FL 180-26		Diesel		5476	132	179	05.00-08.06	*	*
FL 220-16		Diesel		5476	162	220	05.00-08.06	*	*
FL 220-17		Diesel		5476	162	220	05.00-08.06	*	*

LISTA DE APLICACIONES - BUYERS GUIDE

FL 220-18		Diesel		5476	162	220	05.00-08.06	*	*
FL 220-19		Diesel		5476	162	220	05.00-08.06	*	*
FL 220-21		Diesel		5476	162	220	05.00-08.06	*	*
FL 220-26		Diesel		5476	162	220	05.00-08.06	*	*
FL 250-16		Diesel		5476	185	252	05.00-08.06	*	*
FL 250-17		Diesel		5476	185	252	05.00-08.06	*	*
FL 250-18		Diesel		5476	185	252	05.00-08.06	*	*
FL 250-19		Diesel		5476	185	252	05.00-08.06	*	*
FL 250-21		Diesel		5476	185	252	05.00-08.06	*	*
FL 250-26		Diesel		5476	185	252	05.00-08.06	*	*
FL 180-18 (D6B)		Diesel		5480	132	180	03.00-	*	*
FL 220-18 (D6B)		Diesel		5480	162	220	03.00-	*	*
FL 250-18 (D6B)		Diesel		5480	184	250	03.00-	*	*
FL6 09.85-08.00								Caja/Chasis	
FL 618 (D6A180)		Diesel		5480	132	180	11.91-03.00	*	*
FL 618 (TD 63 E)		Diesel		5480	132	180	11.91-03.00	*	*
FL 618 (D6A210)		Diesel		5480	154	209	11.91-03.00	*	*
FL 618 (TD 63 ES)		Diesel		5480	154	209	11.91-03.00	*	*
FL 618 (D6A230)		Diesel		5480	169	230	12.95-03.00	*	*
FL 618 (D6A250)		Diesel		5480	184	250	12.95-03.00	*	*
FL6 09.85-08.00								Camión volquete	
FL 618 (D6A180)		Diesel		5480	132	180	11.91-03.00	*	*
FL 618 (TD 63 E)		Diesel		5480	132	180	11.91-03.00	*	*
FL 618 (D6A210)		Diesel		5480	154	209	11.91-03.00	*	*
FL 618 (TD 63 ES)		Diesel		5480	154	209	11.91-03.00	*	*
FL 618 (D6A230)		Diesel		5480	169	230	12.95-03.00	*	*
FL 618 (D6A250)		Diesel		5480	184	250	12.95-03.00	*	*
FM 09.05-								Cabeza tractora	
FM 300		Diesel		9366	221	300	09.05-	*	*
FM 300		Diesel		9366	221	300	09.05-	*	*
FM 300		Diesel		9366	221	300	09.05-	*	*
FM 340		Diesel		9366	250	340	09.05-	*	*
FM 340		Diesel		9366	250	340	09.05-	*	*
FM 380		Diesel		9366	280	381	09.05-	*	*
FM 380		Diesel		9366	280	381	09.05-	*	*
FM 330		Diesel		10837	243	330	09.05-	*	*
FM 370		Diesel		10837	272	370	09.05-	*	*
FM 410		Diesel		10837	302	411	09.05-	*	*
FM 430		Diesel		10837	316	430	09.05-	*	*
FM 450		Diesel		10837	332	451	09.05-	*	*
FM 09.05-								Caja/Chasis	
FM 300		Diesel		9366	221	300	09.05-	*	*
FM 340		Diesel		9366	250	340	09.05-	*	*
FM 380		Diesel		9366	280	381	09.05-	*	*
FM 430		Diesel		10837	316	430	09.05-	*	*
FM 09.05-								Camión volquete	
FM 300		Diesel		9366	221	300	09.05-	*	*
FM 300		Diesel		9366	221	300	09.05-	*	*
FM 300		Diesel		9366	221	300	09.05-	*	*
FM 340		Diesel		9366	250	340	09.05-	*	*

LISTA DE APLICACIONES - BUYERS GUIDE

FM 340		Diesel		9366	250	340	09.05-	*	*
FM 340		Diesel		9366	250	340	09.05-	*	*
FM 380		Diesel		9366	280	381	09.05-	*	*
FM 380		Diesel		9366	280	381	09.05-	*	*
FM 380		Diesel		9366	280	381	09.05-	*	*
FM10 09.98-12.03								Caja/Chasis	
FM 10/320 (D10B320)		Diesel		9600	235	320	04.99-12.01	*	*
FM 10/320 (D10B320)		Diesel		9600	235	320	04.99-12.01	*	*
FM 10/360 (D10B360)		Diesel		9600	265	360	04.99-12.01	*	*
FM 10/360 (D10B360)		Diesel		9600	265	360	04.99-12.01	*	*
FM12 08.98-11.08								Cabeza tractora	
FM 12/340 (D12C340)		Diesel		12130	250	340	08.98-09.05	*	*
FM 12/340 (D12D340)		Diesel		12130	250	340	08.98-09.05	*	*
FM 12/340 (D12C340)		Diesel		12130	250	340	08.98-09.05	*	*
FM 12/340 (D12D340)		Diesel		12130	250	340	08.98-09.05	*	*
FM 12/380 (D12C380)		Diesel		12130	279	379	08.98-09.05	*	*
FM 12/380 (D12D380)		Diesel		12130	279	379	08.98-09.05	*	*
FM 12/380 (D12C380)		Diesel		12130	279	379	08.98-09.05	*	*
FM 12/380 (D12D380)		Diesel		12130	279	379	08.98-09.05	*	*
FM 12/420 (D12C420)		Diesel		12130	309	420	08.98-09.05	*	*
FM 12/420 (D12D420)		Diesel		12130	309	420	08.98-09.05	*	*
FM 12/420 (D12C420)		Diesel		12130	309	420	08.98-09.05	*	*
FM 12/420 (D12D420)		Diesel		12130	309	420	08.98-09.05	*	*
FM 12/460 (D12C460)		Diesel		12130	338	460	08.98-09.05	*	*
FM 12/460		Diesel		12130	338	460	08.98-09.05	*	*
FM 12/340		Diesel		12132	250	340	08.98-11.08	*	*
FM 12/340		Diesel		12132	250	340	08.98-11.08	*	*
FM 12/340		Diesel		12132	250	340	08.98-11.08	*	*
FM 12/380		Diesel		12132	279	379	08.98-11.08	*	*
FM 12/380		Diesel		12132	279	379	08.98-11.08	*	*
FM 12/380		Diesel		12132	279	379	08.98-11.08	*	*
FM 12/420		Diesel		12132	309	420	08.98-11.08	*	*
FM 12/420		Diesel		12132	309	420	08.98-11.08	*	*
FM 12/420		Diesel		12132	309	420	08.98-11.08	*	*
FM 12/460		Diesel		12132	338	460	08.98-11.08	*	*
FM 12/460		Diesel		12132	338	460	08.98-11.08	*	*
FM 12/460		Diesel		12132	338	460	08.98-11.08	*	*
FM12 08.98-11.08								Caja/Chasis	
FM 12/340 (D12C340)		Diesel		12130	250	340	08.98-09.05	*	*
FM 12/340 (D12D340)		Diesel		12130	250	340	08.98-09.05	*	*
FM 12/340 (D12C340)		Diesel		12130	250	340	08.98-09.05	*	*
FM 12/340 (D12D340)		Diesel		12130	250	340	08.98-09.05	*	*
FM 12/340 (D12C340)		Diesel		12130	250	340	08.98-09.05	*	*
FM 12/340 (D12D340)		Diesel		12130	250	340	08.98-09.05	*	*
FM 12/340 (D12C340)		Diesel		12130	250	340	08.98-09.05	*	*
FM 12/340 (D12D340)		Diesel		12130	250	340	08.98-09.05	*	*
FM 12/340 (D12C340)		Diesel		12130	250	340	08.98-09.05	*	*
FM 12/340 (D12D340)		Diesel		12130	250	340	08.98-09.05	*	*
FM 12/340 (D12C340)		Diesel		12130	250	340	08.98-09.05	*	*
FM 12/340 (D12D340)		Diesel		12130	250	340	08.98-09.05	*	*

LISTA DE APLICACIONES - BUYERS GUIDE

FM 12/380		Diesel		12132	279	379	08.98-11.08	*	*
FM 12/380		Diesel		12132	279	379	08.98-11.08	*	*
FM 12/380		Diesel		12132	279	379	08.98-11.08	*	*
FM 12/380		Diesel		12132	279	379	08.98-11.08	*	*
FM 12/380		Diesel		12132	279	379	08.98-11.08	*	*
FM 12/420		Diesel		12132	309	420	08.98-11.08	*	*
FM 12/420		Diesel		12132	309	420	08.98-11.08	*	*
FM 12/420		Diesel		12132	309	420	08.98-11.08	*	*
FM 12/420		Diesel		12132	309	420	08.98-11.08	*	*
FM 12/420		Diesel		12132	309	420	08.98-11.08	*	*
FM 12/420		Diesel		12132	309	420	08.98-11.08	*	*
FM 12/460		Diesel		12132	338	460	08.98-11.08	*	*
FM 12/460		Diesel		12132	338	460	08.98-11.08	*	*
FM7 08.98-12.01								Cabeza tractora	
FM 7/250 (D7C250)		Diesel		7284	184	250	08.98-12.01	*	*
FM 7/290 (D7C290)		Diesel		7284	213	290	08.98-12.01	*	*
FM 7/290		Diesel		7284	213	290	08.98-12.01	*	*
FM7 08.98-12.01								Caja/Chasis	
FM 7/250 (D7C250)		Diesel		7284	184	250	08.98-12.01	*	*
FM 7/250 (D7C250)		Diesel		7284	184	250	08.98-12.01	*	*
FM 7/250 (D7C250)		Diesel		7284	184	250	08.98-12.01	*	*
FM 7/290 (D7C290)		Diesel		7284	213	290	08.98-12.01	*	*
FM 7/290 (D7C290)		Diesel		7284	213	290	08.98-12.01	*	*
FM 7/290 (D7C290)		Diesel		7284	213	290	08.98-12.01	*	*
FM 7/290		Diesel		7284	213	290	08.98-12.01	*	*
FM7 08.98-12.01								Camión volquete	
FM 7/250 (D7C250)		Diesel		7284	184	250	08.98-12.01	*	*
FM 7/250 (D7C250)		Diesel		7284	184	250	08.98-12.01	*	*
FM 7/290 (D7C290)		Diesel		7284	213	290	08.98-12.01	*	*
FM 7/290 (D7C290)		Diesel		7284	213	290	08.98-12.01	*	*
FM9 12.01-09.05								Cabeza tractora	
FM 9/260 (D9A260)		Diesel		9364	191	260	12.01-09.05	*	*
FM 9/260 (D9A260)		Diesel		9364	191	260	12.01-09.05	*	*
FM 9/300 (D9A300)		Diesel		9364	221	300	12.01-09.05	*	*
FM 9/300 (D9A300)		Diesel		9364	221	300	12.01-09.05	*	*
FM 9/340 (D9A340)		Diesel		9364	250	340	12.01-09.05	*	*
FM 9/340 (D9A340)		Diesel		9364	250	340	12.01-09.05	*	*
FM 9/380 (D9A380)		Diesel		9364	279	380	12.01-09.05	*	*
FM 9/380 (D9A380)		Diesel		9364	279	380	12.01-09.05	*	*
FM9 12.01-09.05								Caja/Chasis	
FM 9/260 (D9A260)		Diesel		9364	191	260	12.01-09.05	*	*
FM 9/260 (D9A260)		Diesel		9364	191	260	12.01-09.05	*	*
FM 9/300 (D9B300)		Diesel		9364	220	299	12.01-09.05	*	*
FM 9/300 (D9A300)		Diesel		9364	221	300	12.01-09.05	*	*
FM 9/300 (D9A300)		Diesel		9364	221	300	12.01-09.05	*	*
FM 9/340 (D9A340)		Diesel		9364	250	340	12.01-09.05	*	*
FM 9/340 (D9A340)		Diesel		9364	250	340	12.01-09.05	*	*
FM 9/340 (D9A340)		Diesel		9364	250	340	12.01-09.05	*	*
FM 9/340 (D9A340)		Diesel		9364	250	340	12.01-09.05	*	*
FM 9/380 (D9A380)		Diesel		9364	279	380	12.01-09.05	*	*

LISTA DE APLICACIONES - BUYERS GUIDE

FM 9/380 (D9A380)	Diesel		9364	279	380	12.01-09.05	*	*	
NH12 01.97-							Cabeza tractora		
NH 12/380 (D12C380)	Diesel		12130	279	379	05.99-	*	*	
NH 12/380 (D12C380)	Diesel		12130	279	379	05.99-	*	*	
NH 12/420 (D12C420)	Diesel		12130	309	420	05.99-	*	*	
NH12 01.97-							Caja/Chasis		
NH 12/380 (D12C380)	Diesel		12130	279	379	05.99-	*	*	
VM 01.12-12.13							Caja/Chasis		
240 (7A240)	Diesel		7118	176	239	01.12-	*	*	
260 (7A260)	Diesel		7118	191	260	01.12-	*	*	
270 (7B270)	Diesel		7118	200	272	01.12-	*	*	