

# LISTA DE APLICACIONES - BUYERS GUIDE

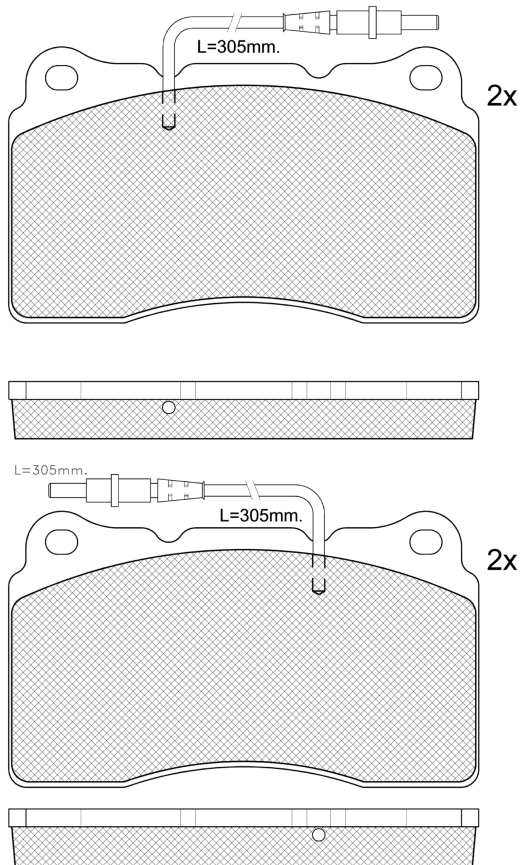
## RB1424



Qty: 300

Weight: 2.220

O.E.M.	MAKE
4252.07	PEUGEOT
4252.54	PEUGEOT
4254.60	PEUGEOT
86 60 004 721	RENAULT
86 71 016 684	RENAULT



## RB1424

**E 9** 90R-01111/409



Brembo

131.65x77.3x16

WVA	FMSI
23575	D1484-8682
23576	

Sin Filas



	Trac.	CC	Kw	CV			Front / Rear
--	-------	----	----	----	--	--	--------------

### CITROËN

<b>C8 (EA_, EB_) 06.02-</b>					<b>Furgoneta/MPV (LCVs-N1 Segment)</b>			
3.0 (EBXFWF, EAXFWF)	Gasolina	FWD	2946	150	204	11.03-10.07	*	

### PEUGEOT

<b>208 (CA_, CC_) 03.12-</b>					<b>[CAMBIADO]:Fastback (Supermini car-B Segment)</b>			
1.4	Gasolina	FWD	1449	66	90	01.13-	*	
1.6 (EC5F)	Gasolina	FWD	1587	85	116	01.13-12.19	*	
1.6 Flex	Gasolina	FWD	1587	90	122	01.13-	*	
1.4 GPL (EP3C)	Gasol./Gas (LPG)	FWD	1397	70	95	10.13-12.19	*	
1.5 Flex	Gasol./Etanol	FWD	1449	68	92	01.13-12.16	*	

<b>3008 (0U_) 05.09-12.17</b>					<b>MPV (Compact MPV-M1 Segment)</b>			
2.0 HDi (RHD (DW10CB))	Diesel	FWD	1997	100	136	09.11-08.16	*	

<b>607 (9D, 9U) 01.00-</b>					<b>Sedán (Executive car-E Segment)</b>			
2.2 16V (3FY (EW12J4))	Gasolina	FWD	2230	120	163	09.05-06.10	*	
3.0 V6 24V (XFX (ES9J4S))	Gasolina	FWD	2946	152	207	02.00-07.04	*	
3.0 V6 24V (XFX (ES9A))	Gasolina	FWD	2946	155	211	03.04-07.11	*	
3.0 V6 24V (XFX (ES9J4S))	Gasolina	FWD	2946	155	211	03.04-07.11	*	
2.0 HDi (RHR (DW10BTED4))	Diesel	FWD	1997	100	136	09.05-07.11	*	
2.2 HDi (4HT (DW12BTED4))	Diesel	FWD	2179	125	170	05.06-06.10	*	
2.7 HDi 24V (DT17TED4)	Diesel	FWD	2721	150	204	12.04-07.11	*	

<b>807 (EB_) 06.02-</b>					<b>MPV (Large MPV-M1 Segment)</b>			
3.0 V6 (XFX (ES9J4S))	Gasolina	FWD	2946	150	204	06.02-	*	

# LISTA DE APLICACIONES - BUYERS GUIDE