

LISTA DE APLICACIONES - BUYERS GUIDE

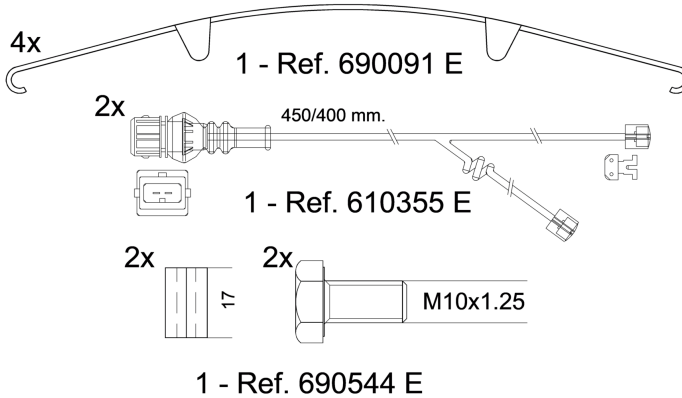
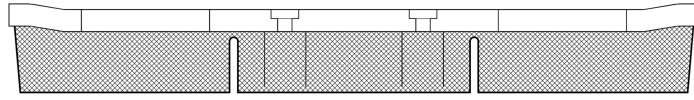
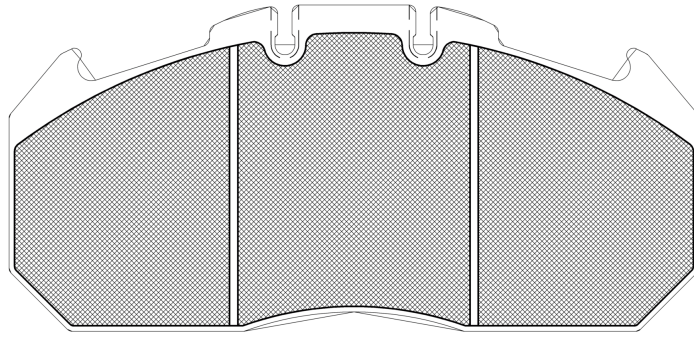
RB1405-122



Qty: 660

Weight: 11.567

| O.E.M. | MAKE |
|--------------|----------------|
| 5001 855 646 | RENAULT TRUCKS |



RB1405-122

E 9 90R-01178/668



Meritor D-Elsa 2

249.4x118x30.25

| WVA | FMSI |
|-------|------------|
| 29131 | D1310-8425 |
| 29156 | |

Sin Filas



| Trac. | CC | Kw | CV |
|-------|----|----|----|
|-------|----|----|----|



Front / Rear

RENAULT TRUCKS

| | | | | | | | Cabeza tractora | | | | |
|-----------------------------------|--|--------|--|-------|-----|-----|-----------------|---|---|--|--|
| 04.96-03.05 | | | | | | | | | | | |
| E.TECH 400.18T (MACK E.TECH A/46) | | Diesel | | 11929 | 295 | 401 | 05.00- | * | * | | |
| E.TECH 440.18T (MACK E.TECH B/46) | | Diesel | | 11929 | 324 | 441 | 05.00- | * | * | | |
| E.TECH 440.26T (MACK E.TECH B/46) | | Diesel | | 11929 | 324 | 441 | 05.00- | * | * | | |
| E.TECH 440.26T (MACK E.TECH B/46) | | Diesel | | 11929 | 324 | 441 | 05.00- | * | * | | |
| E.TECH 480.18T (MACK E.TECH C/46) | | Diesel | | 11929 | 347 | 472 | 05.00- | * | * | | |
| E.TECH 480.26T (MACK E.TECH C/46) | | Diesel | | 11929 | 347 | 472 | 05.00- | * | * | | |
| E.TECH 480.26T (MACK E.TECH C/46) | | Diesel | | 11929 | 347 | 472 | 05.00- | * | * | | |
| AE 560.18T (MACK-EE9-560) | | Diesel | | 16361 | 412 | 560 | 04.96- | * | | | |
| AE 560.19T (MACK-EE9-560) | | Diesel | | 16361 | 412 | 560 | 04.96- | * | | | |
| AE 560.26T (MACK-EE9-560) | | Diesel | | 16361 | 412 | 560 | 01.97- | * | | | |
| AE 560.26T (MACK-EE9-560) | | Diesel | | 16361 | 412 | 560 | 01.98- | * | | | |
| 04.96-03.05 | | | | | | | Caja/Chasis | | | | |
| E.TECH 400.18 (MACK E.TECH A/46) | | Diesel | | 11929 | 295 | 401 | 05.00- | * | * | | |
| E.TECH 400.24 (MACK E.TECH A/46) | | Diesel | | 11929 | 295 | 401 | 05.00- | * | * | | |
| E.TECH 400.26 (MACK E.TECH A/46) | | Diesel | | 11929 | 295 | 401 | 05.00- | * | * | | |
| E.TECH 440.18 (MACK E.TECH B/46) | | Diesel | | 11929 | 324 | 441 | 05.00- | * | * | | |
| E.TECH 440.24 (MACK E.TECH B/46) | | Diesel | | 11929 | 324 | 441 | 05.00- | * | * | | |
| E.TECH 440.26 (MACK E.TECH B/46) | | Diesel | | 11929 | 324 | 441 | 05.00- | * | * | | |
| E.TECH 480.18 (MACK E.TECH C/46) | | Diesel | | 11929 | 347 | 472 | 05.00- | * | * | | |
| E.TECH 480.24 (MACK E.TECH C/46) | | Diesel | | 11929 | 347 | 472 | 05.00- | * | * | | |
| E.TECH 480.26 (MACK E.TECH C/46) | | Diesel | | 11929 | 347 | 472 | 05.00- | * | * | | |

LISTA DE APLICACIONES - BUYERS GUIDE

| | | | | | | | | | |
|--|--|--------|--|-------|-----|-----|--------|------------------------|---|
| Agora 01.96- | | | | | | | | Bus | |
| Agora (MIDR 06.20.45 I41) | | Diesel | | 9840 | 186 | 253 | 01.96- | * | * |
| Agora (MIDR 06.20.45 I41) | | Diesel | | 9840 | 186 | 253 | 01.96- | * | * |
| Iliade 01.97- | | | | | | | | Bus | |
| TE, RTC | | Diesel | | | 222 | 302 | 01.97- | * | * |
| RT, RTX, GTC | | Diesel | | | 250 | 340 | 01.97- | * | * |
| GTX | | Diesel | | | 280 | 381 | 01.97- | * | * |
| GT, GTC, GTE (MIDR 06.20.45 M41) | | Diesel | | 9839 | 250 | 340 | 04.98- | * | * |
| FRH, GTX, GTXE, RTX, TX (MIDR 06.23.56 A/41) | | Diesel | | 11123 | 280 | 381 | 01.97- | * | * |
| Magnum 01.90-04.99 | | | | | | | | Cabeza tractora | |
| AE 390.18T (MIDR 06.24.65 A/42) | | Diesel | | 11929 | 287 | 390 | 09.96- | * | |
| AE 390.19T (MIDR 06.24.65 A/42) | | Diesel | | 11929 | 287 | 390 | 09.96- | * | |
| AE 430.18T (MIDR 06.24.65 B/42) | | Diesel | | 11929 | 316 | 430 | 09.96- | * | |
| AE 430.19T (MIDR 06.24.65 B/42) | | Diesel | | 11929 | 316 | 430 | 09.96- | * | |
| AE 430.26T (MIDR 06.24.65 B/42) | | Diesel | | 11929 | 316 | 430 | 01.98- | * | |
| AE 430.26T (MIDR 06.24.65 B/42) | | Diesel | | 11929 | 316 | 430 | 01.97- | * | |
| AE 470.18T (MIDR 06.24.65 C/42) | | Diesel | | 11929 | 346 | 471 | 11.96- | * | |
| AE 470.19T (MIDR 06.24.65 C/42) | | Diesel | | 11929 | 346 | 471 | 11.96- | * | |
| AE 470.26T (MIDR 06.24.65 C/42) | | Diesel | | 11929 | 346 | 471 | 01.98- | * | |
| Magnum 01.90-04.99 | | | | | | | | Caja/Chasis | |
| AE 390.18 (MIDR 06.24.65 A/42) | | Diesel | | 11929 | 287 | 390 | 09.96- | * | |
| AE 390.19 (MIDR 06.24.65 A/42) | | Diesel | | 11929 | 287 | 390 | 09.96- | * | |
| AE 390.26 (MIDR 06.24.65 A/42) | | Diesel | | 11929 | 287 | 390 | 09.96- | * | |
| AE 430.18 (MIDR 06.24.65 B/42) | | Diesel | | 11929 | 316 | 430 | 09.96- | * | |
| AE 430.19 (MIDR 06.24.65 B/42) | | Diesel | | 11929 | 316 | 430 | 09.96- | * | |
| AE 430.26 (MIDR 06.24.65 B/42) | | Diesel | | 11929 | 316 | 430 | 09.96- | * | |
| AE 470.18 (MIDR 06.24.65 C/42) | | Diesel | | 11929 | 346 | 471 | 11.96- | * | |
| AE 470.19 (MIDR 06.24.65 C/42) | | Diesel | | 11929 | 346 | 471 | 11.96- | * | |
| AE 470.26 (MIDR 06.24.65 C/42) | | Diesel | | 11929 | 346 | 471 | 01.97- | * | |
| AE 480 | | Diesel | | 11995 | 347 | 472 | 01.90- | * | * |
| AE 520.26 (MACK-EE9-530) | | Diesel | | 16361 | 390 | 530 | 10.92- | * | |
| AE 560.18 (MACK-EE9-560) | | Diesel | | 16361 | 412 | 560 | 04.96- | * | |
| AE 560.19 (MACK-EE9-560) | | Diesel | | 16361 | 412 | 560 | 04.96- | * | |
| AE 560.26 (MACK-EE9-560) | | Diesel | | 16361 | 412 | 560 | 04.96- | * | |
| Premium 04.96- | | | | | | | | Cabeza tractora | |
| Distribution 300.16T (MIDR 06.20.45 D/41) | | Diesel | | 9839 | 219 | 298 | 04.96- | * | * |
| Distribution 300.18D/T (MIDR 06.20.45 D/41) | | Diesel | | 9839 | 219 | 298 | 04.96- | * | |
| Distribution 300.19D/T (MIDR 06.20.45 D/41) | | Diesel | | 9839 | 219 | 298 | 04.96- | * | * |
| Route 300.18T (MIDR 06.20.45 D/41) | | Diesel | | 9839 | 219 | 298 | 09.96- | * | * |
| Route 300.19T (MIDR 06.20.45 D/41) | | Diesel | | 9839 | 219 | 298 | 09.96- | * | * |
| Distribution 340.18D/T (MIDR 06.20.45 E/41) | | Diesel | | 9839 | 249 | 339 | 04.96- | * | |
| Distribution 340.19D/T (MIDR 06.20.45 E/41) | | Diesel | | 9839 | 249 | 339 | 04.96- | * | * |
| Route 340.18T (MIDR 06.20.45 E/41) | | Diesel | | 9839 | 249 | 339 | 04.96- | * | * |
| Route 340.19T (MIDR 06.20.45 E/41) | | Diesel | | 9839 | 249 | 339 | 04.96- | * | * |
| Distribution 320.18 (DCI 11G) | | Diesel | | 11123 | 230 | 313 | 08.00- | * | |
| Route 320.18 (DCI 11G) | | Diesel | | 11123 | 230 | 313 | 08.00- | * | * |
| Distribution 370.18 (DCI 11E) | | Diesel | | 11123 | 266 | 362 | 08.00- | * | |
| Route 370.18 (DCI 11E) | | Diesel | | 11123 | 266 | 362 | 08.00- | * | * |
| Route 385.18T,400.18T (MIDR 06.23.56 A/41) | | Diesel | | 11123 | 280 | 381 | 04.96- | * | * |
| Route 385.18T,400.18T (MIDR 06.23.56 B/41) | | Diesel | | 11123 | 280 | 381 | 04.96- | * | * |

LISTA DE APLICACIONES - BUYERS GUIDE

| | | | | | | | | | |
|--|--------|--|-------|-----|-----|--------|--------------------|---|--|
| Route 385.19T,400.19T (MIDR 06.23.56 A/41) | Diesel | | 11123 | 280 | 381 | 04.96- | * | * | |
| Route 385.19T,400.19T (MIDR 06.23.56 B/41) | Diesel | | 11123 | 280 | 381 | 04.96- | * | * | |
| Route 385.24T,400.24T (MIDR 06.23.56 A/41) | Diesel | | 11123 | 280 | 381 | 09.96- | * | * | |
| Route 385.24T,400.24T (MIDR 06.23.56 B/41) | Diesel | | 11123 | 280 | 381 | 09.96- | * | * | |
| Distribution 400.18D/T (MIDR 06.23.56 B/41) | Diesel | | 11123 | 288 | 392 | 01.00- | * | | |
| Distribution 420.18 (DCI 11C) | Diesel | | 11123 | 303 | 412 | 08.00- | * | | |
| Route 420.18T (DCI 11 B/43) | Diesel | | 11123 | 303 | 412 | 08.00- | * | * | |
| Route 420.18T (DCI 11C) | Diesel | | 11123 | 303 | 412 | 08.00- | * | * | |
| Route 420.24 (DCI 11C) | Diesel | | 11123 | 303 | 412 | 08.00- | * | * | |
| Route 420.25 (DCI 11C) | Diesel | | 11123 | 303 | 412 | 08.00- | * | * | |
| Premium 04.96- | | | | | | | Caja/Chasis | | |
| Distribution 210.16 (MIDR 06.02.26 W/4) | Diesel | | 6177 | 154 | 209 | 04.96- | * | * | |
| Distribution 210.18D, 220.18 (DCI 6W) | Diesel | | 6177 | 154 | 209 | 04.96- | * | | |
| Distribution 210.18D, 220.18 (MIDR 06.02.26 W/4) | Diesel | | 6177 | 154 | 209 | 04.96- | * | | |
| Distribution 210.19D | Diesel | | 6177 | 155 | 210 | 04.96- | * | * | |
| Distribution 250.16 (MIDR 06.02.26 Y/41) | Diesel | | 6177 | 184 | 250 | 04.96- | * | * | |
| Distribution 250.18D (MIDR 06.02.26 Y/41) | Diesel | | 6177 | 184 | 250 | 04.96- | * | | |
| Distribution 250.19 (MIDR 06.02.26 Y/41) | Diesel | | 6177 | 184 | 250 | 04.96- | * | * | |
| Distribution 270.18 (DCI 6A) | Diesel | | 6177 | 195 | 265 | 08.00- | * | | |
| Distribution 260.16 (MIDR 06.20.45 C/4) | Diesel | | 9839 | 188 | 256 | 04.96- | * | * | |
| Distribution 260.18 (MIDR 06.20.45 C/4) | Diesel | | 9839 | 188 | 256 | 04.96- | * | * | |
| Distribution 260.19 (MIDR 06.20.45 C/4) | Diesel | | 9839 | 188 | 256 | 04.96- | * | * | |
| Distribution 300.16D (MIDR 06.20.45 D/41) | Diesel | | 9839 | 219 | 298 | 04.96- | * | * | |
| Distribution 300.18D (MIDR 06.20.45 D/41) | Diesel | | 9839 | 219 | 298 | 04.96- | * | | |
| Distribution 300.19 (MIDR 06.20.45 D/41) | Diesel | | 9839 | 219 | 298 | 04.96- | * | * | |
| Distribution 300.26D (MIDR 06.20.45 D/41) | Diesel | | 9839 | 219 | 298 | 04.96- | * | | |
| Distribution 300.26D | Diesel | | 9839 | 219 | 298 | 04.96- | * | * | |
| Route 300.16 (MIDR 06.20.45 D/41) | Diesel | | 9839 | 219 | 298 | 09.96- | * | * | |
| Route 300.18 (MIDR 06.20.45 D/41) | Diesel | | 9839 | 219 | 298 | 09.96- | * | * | |
| Route 300.19 (MIDR 06.20.45 D/41) | Diesel | | 9839 | 219 | 298 | 09.96- | * | * | |
| Distribution 340.18D (MIDR 06.20.45 E/41) | Diesel | | 9839 | 249 | 339 | 04.96- | * | | |
| Distribution 340.19D (MIDR 06.20.45 E/41) | Diesel | | 9839 | 249 | 339 | 04.96- | * | * | |
| Distribution 340.26D (MIDR 06.20.45 E/41) | Diesel | | 9839 | 249 | 339 | 04.96- | * | | |
| Distribution 340.26D | Diesel | | 9839 | 249 | 339 | 04.96- | * | * | |
| Route 340.18 (MIDR 06.20.45 E/41) | Diesel | | 9839 | 249 | 339 | 04.96- | * | * | |
| Route 340.19 (MIDR 06.20.45 E/41) | Diesel | | 9839 | 249 | 339 | 04.96- | * | * | |
| Route 340.24 (MIDR 06.20.45 E/41) | Diesel | | 9839 | 249 | 339 | 04.96- | * | * | |
| Route 340.26 (MIDR 06.20.45 E/41) | Diesel | | 9839 | 249 | 339 | 04.96- | * | * | |
| Distribution 400.18D (MIDR 06.23.56 B/41) | Diesel | | 11100 | 288 | 392 | 01.00- | * | | |
| Distribution 320.18 D (DCI 11G) | Diesel | | 11123 | 230 | 313 | 08.00- | * | | |
| Distribution 320.24D (DCI 11G) | Diesel | | 11123 | 230 | 313 | 08.00- | * | | |
| Distribution 320.26D (DCI 11G) | Diesel | | 11123 | 230 | 313 | 08.00- | * | | |
| Distribution 320.26D | Diesel | | 11123 | 230 | 313 | 08.00- | * | * | |
| Route 320.18 (DCI 11G) | Diesel | | 11123 | 230 | 313 | 08.00- | * | * | |
| Distribution 370.18D (DCI 11E) | Diesel | | 11123 | 266 | 362 | 08.00- | * | | |
| Distribution 370.24D (DCI 11E) | Diesel | | 11123 | 266 | 362 | 08.00- | * | | |
| Distribution 370.26D (DCI 11E) | Diesel | | 11123 | 266 | 362 | 08.00- | * | | |
| Distribution 370.26D | Diesel | | 11123 | 266 | 362 | 08.00- | * | * | |
| Route 370.18 (DCI 11E) | Diesel | | 11123 | 266 | 362 | 08.00- | * | * | |
| Route 370.24 (DCI 11E) | Diesel | | 11123 | 266 | 362 | 08.00- | * | * | |
| Route 370.26 (DCI 11E) | Diesel | | 11123 | 266 | 362 | 08.00- | * | * | |

LISTA DE APLICACIONES - BUYERS GUIDE

| | | | | | | | |
|--|--------|-------|-----|-----|--------|---|---|
| Route 385.18,400.18 (MIDR 06.23.56 A/41) | Diesel | 11123 | 280 | 381 | 04.96- | * | * |
| Route 385.18,400.18 (MIDR 06.23.56 B/41) | Diesel | 11123 | 280 | 381 | 04.96- | * | * |
| Route 385.19,400.19 (MIDR 06.23.56 A/41) | Diesel | 11123 | 280 | 381 | 04.96- | * | * |
| Route 385.19,400.19 (MIDR 06.23.56 B/41) | Diesel | 11123 | 280 | 381 | 04.96- | * | * |
| Route 385.24,400.24 (MIDR 06.23.56 A/41) | Diesel | 11123 | 280 | 381 | 04.96- | * | * |
| Route 385.24,400.24 (MIDR 06.23.56 B/41) | Diesel | 11123 | 280 | 381 | 04.96- | * | * |
| Route 385.26 (MIDR 06.23.56 A/41) | Diesel | 11123 | 280 | 381 | 04.96- | * | * |
| Route 385.26,400.26 (MIDR 06.23.56 A/41) | Diesel | 11123 | 280 | 381 | 04.96- | * | * |
| Route 385.26,400.26 (MIDR 06.23.56 B/41) | Diesel | 11123 | 280 | 381 | 04.96- | * | * |
| Distribution 420.18D (DCI 11C) | Diesel | 11123 | 303 | 412 | 08.00- | * | |
| Route 420.18 (DCI 11C) | Diesel | 11123 | 303 | 412 | 08.00- | * | * |
| Route 420.24 (DCI 11C) | Diesel | 11123 | 303 | 412 | 08.00- | * | * |
| Route 420.26 (DCI 11C) | Diesel | 11123 | 303 | 412 | 08.00- | * | * |