

LISTA DE APLICACIONES - BUYERS GUIDE

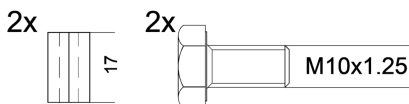
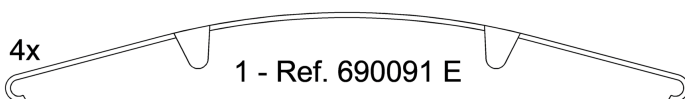
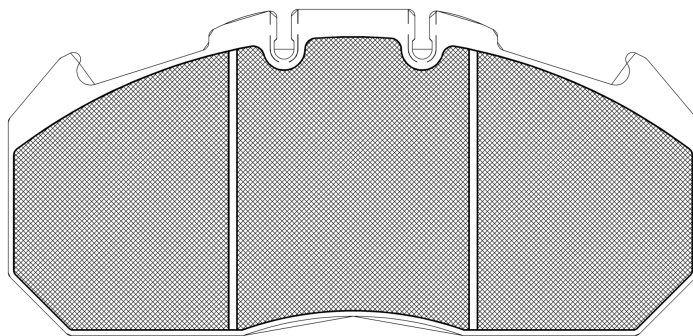
RB1405-066



Qty: 660

Weight: 11.530

O.E.M.	MAKE
152 27 419 T	MERITOR
5001 855 646	RENAULT TRUCKS
503 14009 0	IVECO
81 50820 5072	MAN
81 50820 5073	MAN
81 50820 6041	MAN
81 50820 6051	MAN
81 50820 6052	MAN



1 - Ref. 690544 E

RB1405-066

E 9 90R-01178/668



Meritor D-Elsa 2

249.4x118x30.25

WVA	FMSI
29131	D1310-8425
29156	

Sin Filas



Trac.	CC	Kw	CV
-------	----	----	----



Front / Rear

ERF

								Caja/Chasis	
ECL 04.02-									
7.28 RD3 / TP3 (D 0836 LF 03)		Diesel		6871	206	280	04.02-	*	*
ECL 04.02-								Camión volquete	
7.28 RD3 / TP3 (D 0836 LF 03)		Diesel		6871	206	280	04.02-	*	*
ECM 04.02-								Caja/Chasis	
6.22 RD2		Diesel		5883	162	220	02.03-12.07	*	*
7.22 RD2 (D 0826 LF15)		Diesel		6871	162	220	04.02-12.07	*	*
7.22 RD2 (D 0826 LF18)		Diesel		6871	162	220	04.02-12.07	*	*
7.28 RD2		Diesel		6871	206	280	04.02-12.07	*	*
7.28 RR3		Diesel		6871	206	208	04.02-12.07	*	*
ECM 04.02-								Camión volquete	
12.36 MTP4		Diesel		11967	265	360	04.02-12.07	*	*
ECT 04.02-								Cabeza tractora	
10.35 ST (D 2066 LF 03)		Diesel		10518	257	350	02.05-	*	*
10.43 MT, MTL (D 2066 LF 01)		Diesel		10518	316	430	02.05-	*	*
10.43 ST (D 2066 LF 01)		Diesel		10518	316	430	02.05-	*	*
11.39 MT, MTL		Diesel		10824	283	385	04.02-	*	*
11.39 ST		Diesel		10824	283	385	04.02-	*	*
18.380 FLRS (ISME 385)		Diesel		10824	283	380	07.05-	*	*
24.380 FPLRS (ISME 385)		Diesel		10824	283	380	07.05-	*	*
26.380 FPLRS (ISME 385)		Diesel		10824	283	380	07.05-	*	*
11.42 MT, MTL		Diesel		10824	309	420	04.02-	*	*
11.42 ST		Diesel		10824	309	420	04.02-	*	*

LISTA DE APLICACIONES - BUYERS GUIDE

18.420 FLRS (ISME 420)		Diesel		10824	309	420	07.05-	*	*	
24.420 FPLRS (ISME 420)		Diesel		10824	309	420	07.05-	*	*	
26.420 FPLRS (ISME 420)		Diesel		10824	309	420	07.05-	*	*	
12.36 ST (D 2866 LF27)		Diesel		11967	265	360	04.02-	*	*	
12.36 ST (D 2866 LF37)		Diesel		11967	265	360	04.02-	*	*	
13.46 DT		Diesel		12816	338	460	04.02-	*	*	
13.46 MT, MTL		Diesel		12816	338	460	04.02-	*	*	
13.48 DT (D 2876 LF 12)		Diesel		12816	353	480	02.05-	*	*	
13.48 MT, MTL (D 2876 LF 12)		Diesel		12816	353	480	02.05-	*	*	
13.48 ST (D 2876 LF 12)		Diesel		12816	353	480	02.05-	*	*	
ECT 04.02-							Caja/Chasis			
10.35 DB2 (D 2066 LF 03)		Diesel		10518	257	350	02.05-	*	*	
10.35 RDB3 (D 2066 LF 03)		Diesel		10518	257	350	02.05-	*	*	
10.43 DB2 (D 2066 LF 01)		Diesel		10518	316	430	02.05-	*	*	
10.43 RDB3 (D 2066 LF 01)		Diesel		10518	316	430	02.05-	*	*	
11.39 DB2		Diesel		10824	283	385	04.02-	*	*	
11.39 RDB3		Diesel		10824	283	385	04.02-	*	*	
18.380 FLRC (ISME 385)		Diesel		10824	283	380	06.03-	*	*	
26.380 FNLRC, FNLLRC (ISME 385)		Diesel		10824	283	380	06.03-	*	*	
11.42 DB2		Diesel		10824	309	420	04.02-	*	*	
11.42 RDB3		Diesel		10824	309	420	04.02-	*	*	
18.420 FLRC (ISME 420)		Diesel		10824	309	420	06.03-	*	*	
26.420 FNLRC, FNLLRC (ISME 420)		Diesel		10824	309	420	06.03-	*	*	
12.36 DB2 (D 2866 LF27)		Diesel		11967	265	360	04.02-	*	*	
12.36 DB2 (D 2866 LF37)		Diesel		11967	265	360	04.02-	*	*	
13.46 RDB3		Diesel		12816	338	460	04.02-	*	*	
13.48 RDB3 (D 2876 LF 12)		Diesel		12816	353	480	02.05-	*	*	
ECT 04.02-							Camión volquete			
32.35 BB (D 2066 LF 03)		Diesel		10518	257	350	02.05-	*	*	
ECX 01.01-							Caja/Chasis			
-		Diesel					01.01-	*	*	
HEULIEZ										
GX 09.13-							Bus			
GX 137		Diesel		6728	184	250	09.13-	*	*	
GX 137, GX 137 L		Diesel		6728	184	250	09.13-	*	*	
GX 137		Diesel		6728	210	286	09.13-	*	*	
GX 137		Diesel		6728	210	286	09.13-	*	*	
GX 137 L		Diesel		6728	210	286	09.13-	*	*	
GX 337		Diesel		6728	210	286	09.13-	*	*	
GX 437		Diesel		8709	265	360	09.13-	*	*	
GX 437		Diesel		8709	294	400	09.13-	*	*	
GX 09.13-							Bus			
GX 337 CNG		Gasolina		7790	213	290	09.17-12.21	*	*	
GX 09.13-							Bus			
GX 337 HYB		Hidrógen o		6728	210	286	09.13-	*	*	
GX 437 HYB		Hidrógen o		6728	210	286	09.13-	*	*	
GX 09.13-							Bus			
GX 137 E		Mixto		0	160	218	06.17-	*	*	

LISTA DE APLICACIONES - BUYERS GUIDE

GX 337 E		Mixto		0	160	218	06.17-	*	*
GX 437 E		Mixto		0	160	218	06.17-	*	*
GX 437 E		Mixto		0	200	272	06.17-	*	*
IRISBUS									
01.94-12.07								Bus	
GX 117		Diesel		5883	154	204	01.01-12.07		*
ACCESS BUS 127 03.06-12.13								Bus	
GX 127		Diesel		5883	160	218	03.06-12.13		*
GX 127		Diesel		5883	160	218	04.10-12.13		*
GX 127 L		Diesel		5883	160	218	03.06-12.13		*
GX 127		Diesel		5883	195	265	04.10-12.13		*
GX 127, GX 127 L		Diesel		5883	195	264	03.06-12.13		*
AGORA 01.03-								Bus	
Agora L		Diesel		7790	180	245	01.03-	*	*
Agora S		Diesel		7790	180	245	01.03-	*	*
Agora L		Diesel		7790	213	290	01.03-12.05	*	*
Agora S		Diesel		7790	213	290	01.03-12.05	*	*
AGORA 01.03-								Bus	
Agora CNG		Gasolina		7790	154	209	03.06-	*	*
Agora CNG		Gasolina		7790	198	269	03.06-	*	*
ARWAY 01.05-								Bus	
10.6M (F2BE3681B)		Diesel		7790	243	330	01.05-12.13	*	*
12.8m		Diesel		7790	243	330	01.05-12.13	*	*
12m		Diesel		7790	243	330	01.05-12.13	*	*
10.6M		Diesel		7790	280	380	01.05-12.13	*	*
12.8m		Diesel		7790	280	381	01.05-12.13	*	*
12m		Diesel		7790	280	381	01.05-12.13	*	*
15M		Diesel		10308	280	380	01.05-12.13	*	*
15M		Diesel		10308	331	450	01.05-12.13	*	*
AXER 10.03-01.07								Bus	
12m, 12.8m (F2BE1682G)		Diesel		7790	228	310	03.05-01.07		*
12.8m (F2BE1682G)		Diesel		7790	259	352	03.05-01.07	*	*
CITELIS 07.05-								Bus	
10.5, 12, LINE		Diesel		7790	180	245	09.05-		*
10.5, 12, LINE		Diesel		7790	213	290	07.05-12.13		*
18m		Diesel		7790	213	290	07.05-12.13		*
18m		Diesel		7790	280	379	07.05-12.13		*
CITELIS 07.05-								Bus	
10.5 CNG, 12 CNG		Gasolina		7790	180	245	07.05-12.13		*
10 CNG		Gasolina		7790	199	271	07.05-12.13		*
12 CNG		Gasolina		7790	199	271	07.05-12.13		*
18 CNG		Gasolina		7790	199	271	07.05-12.13		*
18 CNG		Gasolina		7790	200	272	09.05-		*
10.5 CNG, 12 CNG		Gasolina		7790	213	290	07.05-12.13		*
18 CNG		Gasolina		7790	213	290	05.07-12.13		*
10 CNG		Gasolina		7790	228	310	07.05-12.13		*
18 CNG		Gasolina		7790	228	310	09.05-		*
18 CNG		Gasolina		7790	228	310	07.05-12.13		*

LISTA DE APLICACIONES - BUYERS GUIDE

18 CNG	Gasolina	7790	243	330	07.05-12.13	*	*
CITELIS 07.05-							Bus
18 HYBRID	Hidrógeno	5883	220	299	07.05-12.13	*	*
CREALIS 04.98-12.03							Bus
12, 12 NEO	Diesel	7790	180	245	01.09-	*	*
12, 12 NEO	Diesel	7790	213	290	01.09-	*	*
18, 18 NEO	Diesel	7790	213	290	01.09-	*	*
18, 18 NEO	Diesel	7790	280	380	04.98-12.03	*	*
CREALIS 04.98-12.03							Bus
12 CNG, 12 NEO CNG	Gasolina	7790	180	245	10.01-12.03	*	*
12 CNG, 12 NEO CNG	Gasolina	7790	213	290	01.09-	*	*
18 CNG, 18 NEO CNG	Gasolina	7790	213	290	01.09-	*	*
18 CNG, 18 NEO CNG	Gasolina	7790	243	330	01.09-	*	*
CROSSWAY 06.06-							Bus
LE 12M	Diesel	5861	194	264	06.06-	*	*
10.6M	Diesel	7790	194	264	06.06-	*	*
10.6M	Diesel	7790	220	300	06.06-	*	*
10.6M	Diesel	7790	243	330	06.06-	*	*
10.6M	Diesel	7790	280	381	06.06-	*	*
DOMINO 10.03-							Bus
2001	Diesel	9498	254	345	10.03-	*	*
HD	Diesel	10308	280	380	06.06-	*	*
HD, HDH	Diesel	10308	330	450	06.06-	*	*
EVADYS 09.03-							Bus
H 12.8M	Diesel	7790	243	330	09.03-	*	*
H 12M	Diesel	7790	243	330	09.03-	*	*
H 12.8M	Diesel	7790	280	381	09.03-	*	*
H 12M	Diesel	7790	280	381	09.03-	*	*
H 12M	Diesel	7990	280	381	10.03-	*	*
HD 12M	Diesel	10308	279	381	10.03-	*	*
HD 12M	Diesel	10308	330	450	10.03-	*	*
MAGELYS 01.07-12.13							Bus
HD	Diesel	10308	279	381	01.07-12.13	*	*
HD	Diesel	10308	331	450	01.07-12.13	*	*
PROWAY 06.06-							Bus
Short, Long (F4AE3681B)	Diesel	5883	160	217	01.09-	*	*
RECREO 10.03-01.07							Bus
12m, 12.8m	Diesel	7790	228	310	10.03-01.07	*	*
IVECO							
01.16-							Bus
12m	Diesel	8709	294	400	01.16-	*	*
13M	Diesel	8709	294	400	01.16-	*	*
09.19-							Bus
10.7M	Mixto	0	160	218	09.19-	*	*
12m	Mixto	0	160	218	09.19-	*	*
9.5M	Mixto	0	160	218	09.19-	*	*

LISTA DE APLICACIONES - BUYERS GUIDE

CROSSWAY 01.13-								Bus	
LE 285		Diesel		6728	209	284	01.16-	*	
LE 10.8M		Diesel		6728	210	286	01.13-	*	*
LE 12M		Diesel		6728	210	286	01.13-	*	*
LE 13M		Diesel		6728	210	286	01.13-	*	*
10.8M		Diesel		6728	235	320	01.13-	*	*
12m		Diesel		6728	235	320	01.13-	*	*
13M		Diesel		6728	235	320	01.13-	*	*
320, LE 320 (F4AFE611D)		Diesel		6728	235	320	01.16-	*	
360, LE 360, PRO 360 (F2CFE611B)		Diesel		8708	265	360	01.16-	*	
PRO 400		Diesel		8708	294	400	01.16-	*	
10.8M		Diesel		8709	265	360	01.13-	*	*
12m		Diesel		8709	265	360	01.13-	*	*
13M		Diesel		8709	265	360	01.13-	*	*
LE 10.8M		Diesel		8709	265	360	01.13-	*	*
LE 12M		Diesel		8709	265	360	01.13-	*	*
LE 13M		Diesel		8709	265	360	01.13-	*	*
CROSSWAY 01.13-								Bus	
12M CNG		Gasolina		8709	265	360	04.19-	*	*
13M CNG		Gasolina		8709	265	360	04.19-	*	*
LE 12M CNG		Gasolina		8709	265	360	11.17-	*	*
LE 13M CNG		Gasolina		8709	265	360	11.17-	*	*
MAGELYS 05.13-								Bus	
Magelys Pro		Diesel		8709	294	400	07.11-	*	*
URBANWAY 05.13-								Bus	
10m		Diesel		6728	210	286	05.13-	*	*
12m		Diesel		8709	228	310	05.13-	*	*
12m		Diesel		8709	265	360	05.13-	*	*
18m		Diesel		8709	265	360	05.13-	*	*
18m		Diesel		8709	294	400	05.13-	*	*
URBANWAY 05.13-								Bus	
12M CNG		Gasolina		7790	213	290	05.13-	*	*
18m CNG		Gasolina		7790	243	330	05.13-	*	*
MAN									
E2000 08.97-								Caja/Chasis	
28.233 CNG		Gasolina		11967	170	231	05.96-04.05	*	
NL 09.88-								Bus	
NL 273 (D 2066 LUH 11)		Diesel		10518	199	271	01.06-10.09	*	*
NL 273 (D 2066 LUH 21)		Diesel		10518	199	271	01.06-10.09	*	*
NL 09.88-								Bus	
NL 243 (E 2866 DUH 03)		Gasolina		11967	180	245	05.07-12.14	*	*
NL 243 (E 2866 DUH 04)		Gasolina		11967	180	245	05.07-12.14	*	*
SÜ 10.75-								Bus	
SÜ 243 (D 0836 LOH 56)		Diesel		6871	176	240	06.05-10.09	*	*
SÜ 263 (D 0836 LOH 62)		Diesel		6871	191	260	06.05-10.09	*	*
SÜ 283 (D 0836 LOH 02)		Diesel		6871	206	280	09.03-	*	*
SÜ 283 (D 0836 LOH 51)		Diesel		6871	206	280	09.03-	*	*
SÜ 283 (D 0836 LOH 55)		Diesel		6871	206	280	09.03-	*	*

LISTA DE APLICACIONES - BUYERS GUIDE

SÜ 293 (D 0836 LOH 60)		Diesel		6871	213	290	09.03-	*	*
SÜ 273 (D 2066 LUH 11)		Diesel		10518	198	270	01.06-10.09	*	*
SÜ 273 (D 2066 LUH 21)		Diesel		10518	198	270	01.06-10.09	*	*
SÜ 313 (D 2066 LUH 12)		Diesel		10518	228	310	01.06-10.09	*	*
SÜ 313 (D 2066 LUH 22)		Diesel		10518	228	310	01.06-10.09	*	*
SÜ 320 (D 2066 LUH 32)		Diesel		10518	235	320	09.03-	*	*
SÜ 353 (D 2066 LUH 13)		Diesel		10518	257	350	01.06-10.09	*	*
SÜ 353 (D 2066 LUH 23)		Diesel		10518	257	350	01.06-10.09	*	*
SÜ 360 (D 2066 LUH 33)		Diesel		10518	264	360	05.07-	*	*
SÜ 313 (D 2866 LUH 24)		Diesel		11967	228	310	09.03-	*	*
SÜ 263 (D 2866 LUH 25)		Diesel		11967	265	360	09.03-	*	*
TGA 03.00-					Cabeza tractora				
18.310, 18.320 (D 2066 LF 04)		Diesel		10518	228	310	05.04-	*	*
18.310, 18.320 (D 2066 LF 14)		Diesel		10518	228	310	05.04-	*	*
18.310, 18.320 (D 2066 LF 28)		Diesel		10518	228	310	05.04-	*	*
18.310, 18.320 (D 2066 LF 35)		Diesel		10518	228	310	05.04-	*	*
18.310, 18.320 (D 2066 LF 39)		Diesel		10518	228	310	05.04-	*	*
18.310, 18.320 (D 2066 LF 04)		Diesel		10518	228	310	05.04-	*	*
18.310, 18.320 (D 2066 LF 14)		Diesel		10518	228	310	05.04-	*	*
18.310, 18.320 (D 2066 LF 35)		Diesel		10518	228	310	05.04-	*	*
18.310, 18.320 (D 2066 LF 39)		Diesel		10518	228	310	05.04-	*	*
26.310, 26.320 (D 2066 LF 04)		Diesel		10518	228	310	05.04-	*	*
26.310, 26.320 (D 2066 LF 14)		Diesel		10518	228	310	05.04-	*	*
26.310, 26.320 (D 2066 LF 35)		Diesel		10518	228	310	05.04-	*	*
26.310, 26.320 (D 2066 LF 39)		Diesel		10518	228	310	05.04-	*	*
26.310, 26.320 (D 2066 LF 04)		Diesel		10518	228	310	05.04-	*	*
26.310, 26.320 (D 2066 LF 14)		Diesel		10518	228	310	05.04-	*	*
26.310, 26.320 (D 2066 LF 35)		Diesel		10518	228	310	05.04-	*	*
26.310, 26.320 (D 2066 LF 39)		Diesel		10518	228	310	05.04-	*	*
28.310 (D 2066 LF 04)		Diesel		10518	228	310	06.04-	*	*
28.310 (D 2066 LF 14)		Diesel		10518	228	310	06.04-	*	*
28.320 (D 2066 LF 28)		Diesel		10518	235	320	06.04-	*	*
28.320 (D 2066 LF 39)		Diesel		10518	235	320	06.04-	*	*
18.350 (D 2066 LF 03)		Diesel		10518	257	350	05.04-	*	*
18.350 (D 2066 LF 13)		Diesel		10518	257	350	05.04-	*	*
18.350, 18.360 (D 2066 LF 03)		Diesel		10518	257	350	05.04-	*	*
18.350, 18.360 (D 2066 LF 13)		Diesel		10518	257	350	05.04-	*	*
18.350, 18.360 (D 2066 LF 33)		Diesel		10518	257	350	05.04-	*	*
18.350, 18.360 (D 2066 LF 38)		Diesel		10518	257	350	05.04-	*	*
19.350 (D 2066 LF 03)		Diesel		10518	257	350	05.04-	*	*
24.350, 24.360 (D 2066 LF 03)		Diesel		10518	257	350	02.04-	*	*
24.350, 24.360 (D 2066 LF 13)		Diesel		10518	257	350	02.04-	*	*
24.350, 24.360 (D 2066 LF 33)		Diesel		10518	257	350	02.04-	*	*
24.350, 24.360 (D 2066 LF 38)		Diesel		10518	257	350	02.04-	*	*
26.350 (D 2066 LF 03)		Diesel		10518	257	350	05.04-	*	*
26.350 (D 2066 LF 03)		Diesel		10518	257	350	07.05-	*	*
26.350 (D 2066 LF 13)		Diesel		10518	257	350	07.05-	*	*
26.350 (D 2066 LF 13)		Diesel		10518	257	350	07.05-	*	*
26.350, 26.360 (D 2066 LF 03)		Diesel		10518	257	350	05.04-	*	*
26.350, 26.360 (D 2066 LF 13)		Diesel		10518	257	350	05.04-	*	*
26.350, 26.360 (D 2066 LF 33)		Diesel		10518	257	350	05.04-	*	*

LISTA DE APLICACIONES - BUYERS GUIDE

26.350, 26.360 (D 2066 LF 38)		Diesel		10518	257	350	05.04-	*	*
26.350, 26.360 (D 2066 LF 03)		Diesel		10518	257	350	05.04-	*	*
26.350, 26.360 (D 2066 LF 13)		Diesel		10518	257	350	05.04-	*	*
26.350, 26.360 (D 2066 LF 33)		Diesel		10518	257	350	05.04-	*	*
26.350, 26.360 (D 2066 LF 38)		Diesel		10518	257	350	05.04-	*	*
28.350 (D 2066 LF 03)		Diesel		10518	257	350	02.04-	*	*
33.350, 33.360 (D 2066 LF 03)		Diesel		10518	257	350	05.04-	*	*
33.350, 33.360 (D 2066 LF 07)		Diesel		10518	257	350	05.04-	*	*
33.350, 33.360 (D 2066 LF 13)		Diesel		10518	257	350	05.04-	*	*
33.350, 33.360 (D 2066 LF 33)		Diesel		10518	257	350	05.04-	*	*
33.350, 33.360 (D 2066 LF 38)		Diesel		10518	257	350	05.04-	*	*
33.350, 33.360 (D 2066 LF 03)		Diesel		10518	257	350	06.05-	*	*
33.350, 33.360 (D 2066 LF 07)		Diesel		10518	257	350	06.05-	*	*
33.350, 33.360 (D 2066 LF 13)		Diesel		10518	257	350	06.05-	*	*
33.350, 33.360 (D 2066 LF 33)		Diesel		10518	257	350	06.05-	*	*
33.350, 33.360 (D 2066 LF 38)		Diesel		10518	257	350	06.05-	*	*
18.360 (D 2066 LF 07)		Diesel		10518	265	360	01.06-	*	*
18.360 (D 2066 LF 27)		Diesel		10518	265	360	01.06-	*	*
18.360 (D 2066 LF 38)		Diesel		10518	265	360	01.06-	*	*
19.360 (D 2066 LF 07)		Diesel		10518	265	360	05.04-	*	*
26.360 (D 2066 LF 07)		Diesel		10518	265	360	05.04-	*	*
26.360 (D 2066 LF 38)		Diesel		10518	265	360	05.04-	*	*
26.360 (D 2066 LF 38)		Diesel		10518	265	360	04.06-	*	*
28.360 (D 2066 LF 38)		Diesel		10518	265	360	04.06-	*	*
18.390 (D 2066 LF 02)		Diesel		10518	287	390	05.04-	*	*
18.390 (D 2066 LF 12)		Diesel		10518	287	390	05.04-	*	*
18.390, 18.400 (D 2066 LF 02)		Diesel		10518	287	390	05.04-	*	*
18.390, 18.400 (D 2066 LF 12)		Diesel		10518	287	390	05.04-	*	*
18.390, 18.400 (D 2066 LF 32)		Diesel		10518	287	390	05.04-	*	*
18.390, 18.400 (D 2066 LF 37)		Diesel		10518	287	390	05.04-	*	*
24.390, 24.400 (D 2066 LF 02)		Diesel		10518	287	390	05.04-	*	*
24.390, 24.400 (D 2066 LF 12)		Diesel		10518	287	390	05.04-	*	*
24.390, 24.400 (D 2066 LF 32)		Diesel		10518	287	390	05.04-	*	*
24.390, 24.400 (D 2066 LF 37)		Diesel		10518	287	390	05.04-	*	*
26.390 (D 2066 LF 02)		Diesel		10518	287	390	07.05-	*	*
26.390 (D 2066 LF 12)		Diesel		10518	287	390	07.05-	*	*
26.390, 26.400 (D 2066 LF 02)		Diesel		10518	287	390	05.04-	*	*
26.390, 26.400 (D 2066 LF 12)		Diesel		10518	287	390	05.04-	*	*
26.390, 26.400 (D 2066 LF 32)		Diesel		10518	287	390	05.04-	*	*
26.390, 26.400 (D 2066 LF 37)		Diesel		10518	287	390	05.04-	*	*
26.390, 26.400 (D 2066 LF 02)		Diesel		10518	287	390	05.04-	*	*
26.390, 26.400 (D 2066 LF 06)		Diesel		10518	287	390	05.04-	*	*
26.390, 26.400 (D 2066 LF 12)		Diesel		10518	287	390	05.04-	*	*
26.390, 26.400 (D 2066 LF 32)		Diesel		10518	287	390	05.04-	*	*
26.390, 26.400 (D 2066 LF 37)		Diesel		10518	287	390	05.04-	*	*
28.390 (D 2066 LF 02)		Diesel		10518	287	390	05.04-	*	*
28.390 (D 2066 LF 12)		Diesel		10518	287	390	05.04-	*	*
33.390, 33.400 (D 2066 LF 02)		Diesel		10518	287	390	05.04-	*	*
33.390, 33.400 (D 2066 LF 06)		Diesel		10518	287	390	05.04-	*	*
33.390, 33.400 (D 2066 LF 12)		Diesel		10518	287	390	05.04-	*	*
33.390, 33.400 (D 2066 LF 32)		Diesel		10518	287	390	05.04-	*	*

LISTA DE APLICACIONES - BUYERS GUIDE

33.390, 33.400 (D 2066 LF 37)		Diesel		10518	287	390	05.04-	*	*
40.390, 40.400 (D 2066 LF 02)		Diesel		10518	287	390	06.05-	*	*
40.390, 40.400 (D 2066 LF 06)		Diesel		10518	287	390	06.05-	*	*
18.400 (D 2066 LF 26)		Diesel		10518	294	400	10.05-	*	*
18.400 (D 2066 LF 37)		Diesel		10518	294	400	10.05-	*	*
19.400 (D 2066 LF 06)		Diesel		10518	294	400	05.04-	*	*
26.400 (D 2066 LF 37)		Diesel		10518	294	400	04.06-	*	*
28.400 (D 2066 LF 26)		Diesel		10518	294	400	04.06-	*	*
28.400 (D 2066 LF 37)		Diesel		10518	294	400	04.06-	*	*
18.430 (D 2066 LF 01)		Diesel		10518	316	430	05.04-	*	*
18.430 (D 2066 LF 11)		Diesel		10518	316	430	05.04-	*	*
18.430, 18.440 (D 2066 LF 01)		Diesel		10518	316	430	05.04-	*	*
18.430, 18.440 (D 2066 LF 11)		Diesel		10518	316	430	05.04-	*	*
18.430, 18.440 (D 2066 LF 31)		Diesel		10518	316	430	05.04-	*	*
18.430, 18.440 (D 2066 LF 36)		Diesel		10518	316	430	05.04-	*	*
19.430 (D 2066 LF 01)		Diesel		10518	316	430	03.05-03.11	*	*
24.430, 24.440 (D 2066 LF 01)		Diesel		10518	316	430	05.04-	*	*
24.430, 24.440 (D 2066 LF 11)		Diesel		10518	316	430	05.04-	*	*
24.430, 24.440 (D 2066 LF 31)		Diesel		10518	316	430	05.04-	*	*
24.430, 24.440 (D 2066 LF 36)		Diesel		10518	316	430	05.04-	*	*
26.430 (D 2066 LF 01)		Diesel		10518	316	430	02.04-	*	*
26.430 (D 2066 LF 01)		Diesel		10518	316	430	07.05-	*	*
26.430 (D 2066 LF 11)		Diesel		10518	316	430	07.05-	*	*
26.430, 26.440 (D 2066 LF 01)		Diesel		10518	316	430	05.04-	*	*
26.430, 26.440 (D 2066 LF 11)		Diesel		10518	316	430	05.04-	*	*
26.430, 26.440 (D 2066 LF 31)		Diesel		10518	316	430	05.04-	*	*
26.430, 26.440 (D 2066 LF 36)		Diesel		10518	316	430	05.04-	*	*
26.430, 26.440 (D 2066 LF 01)		Diesel		10518	316	430	02.04-	*	*
26.430, 26.440 (D 2066 LF 11)		Diesel		10518	316	430	02.04-	*	*
26.430, 26.440 (D 2066 LF 23)		Diesel		10518	316	430	02.04-	*	*
26.430, 26.440 (D 2066 LF 31)		Diesel		10518	316	430	02.04-	*	*
26.430, 26.440 (D 2066 LF 36)		Diesel		10518	316	430	02.04-	*	*
28.430 (D 2066 LF 01)		Diesel		10518	316	430	05.04-	*	*
28.430 (D 2066 LF 11)		Diesel		10518	316	430	05.04-	*	*
33.430, 33.440 (D 2066 LF 01)		Diesel		10518	316	430	05.04-	*	*
33.430, 33.440 (D 2066 LF 11)		Diesel		10518	316	430	05.04-	*	*
33.430, 33.440 (D 2066 LF 31)		Diesel		10518	316	430	05.04-	*	*
33.430, 33.440 (D 2066 LF 36)		Diesel		10518	316	430	05.04-	*	*
40.430 (D 2066 LF 01)		Diesel		10518	316	430	06.05-	*	*
18.440 (D 2066 LF 25)		Diesel		10518	324	440	09.05-	*	*
18.440 (D 2066 LF 36)		Diesel		10518	324	440	09.05-	*	*
26.440 (D 2066 LF 36)		Diesel		10518	324	440	09.05-	*	*
28.440 (D 2066 LF 25)		Diesel		10518	324	440	09.05-	*	*
28.440 (D 2066 LF 36)		Diesel		10518	324	440	09.05-	*	*
18.310 (D 2866 LF26)		Diesel		11967	228	310	04.00-	*	*
18.310 (D 2866 LF36)		Diesel		11967	228	310	04.00-	*	*
26.310 (D 2866 LF26)		Diesel		11967	228	310	12.00-	*	*
26.310 (D 2866 LF36)		Diesel		11967	228	310	12.00-	*	*
26.310 (D 2866 LF26)		Diesel		11967	228	310	01.01-	*	*
26.310		Diesel		11967	228	310	12.00-	*	*
28.310 (D 2866 LF26)		Diesel		11967	228	310	09.02-	*	*

LISTA DE APLICACIONES - BUYERS GUIDE

18.360 (D 2866 LF27)		Diesel		11967	265	360	04.00-	*	*
18.360 (D 2866 LF37)		Diesel		11967	265	360	04.00-	*	*
19.360 (D 2866 LF37)		Diesel		11967	265	360	05.04-	*	*
26.360 (D 2866 LF27)		Diesel		11967	265	360	12.00-	*	*
26.360 (D 2866 LF37)		Diesel		11967	265	360	12.00-	*	*
26.360 (D 2866 LF27)		Diesel		11967	265	360	09.03-	*	*
26.360 (D 2866 LF37)		Diesel		11967	265	360	09.03-	*	*
26.360		Diesel		11967	265	360	12.00-	*	*
28.360 (D 2866 LF27)		Diesel		11967	265	360	09.02-	*	*
33.360 (D 2866 LF27)		Diesel		11967	265	360	10.00-	*	*
33.360 (D 2866 LF37)		Diesel		11967	265	360	10.00-	*	*
33.360 (D 2866 LF27)		Diesel		11967	265	360	09.02-	*	*
33.360 (D 2866 LF37)		Diesel		11967	265	360	09.02-	*	*
18.410 (D 2866 LF28)		Diesel		11967	301	410	04.00-	*	*
18.410 (D 2866 LF32)		Diesel		11967	301	410	04.00-	*	*
19.410 (D 2866 LF32)		Diesel		11967	301	410	05.04-	*	*
26.410 (D 2866 LF28)		Diesel		11967	301	410	12.00-	*	*
26.410 (D 2866 LF32)		Diesel		11967	301	410	12.00-	*	*
26.410 (D 2866 LF28)		Diesel		11967	301	410	06.01-	*	*
26.410 (D 2866 LF32)		Diesel		11967	301	410	06.01-	*	*
26.410 (D 2866 LF28)		Diesel		11967	301	410	07.05-	*	*
26.410 (D 2866 LF32)		Diesel		11967	301	410	07.05-	*	*
28.410 (D 2866 LF28)		Diesel		11967	301	410	09.02-	*	*
33.410 (D 2866 LF28)		Diesel		11967	301	410	10.00-	*	*
33.410 (D 2866 LF32)		Diesel		11967	301	410	10.00-	*	*
33.410 (D 2866 LF28)		Diesel		11967	301	410	09.02-	*	*
33.410 (D 2866 LF32)		Diesel		11967	301	410	09.02-	*	*
40.410 (D 2866 LF28)		Diesel		11967	301	410	04.04-	*	*
40.410 (D 2866 LF32)		Diesel		11967	301	410	04.04-	*	*
19.440 (D 2676 LF 04)		Diesel		12419	324	440	02.06-03.11	*	*
26.440 (D 2676 LF 04)		Diesel		12419	324	440	02.06-	*	*
27.440 (D 2676 LF 04)		Diesel		12419	324	440	10.08-	*	*
40.440 (D 2676 LF 04)		Diesel		12419	324	440	06.05-	*	*
18.480 (D 2676 LF 05)		Diesel		12419	353	480	01.06-	*	*
18.480 (D 2676 LF 14)		Diesel		12419	353	480	01.06-	*	*
19.480 (D 2676 LF 02)		Diesel		12419	353	480	02.06-	*	*
19.480 (D 2676 LF 03)		Diesel		12419	353	480	02.06-	*	*
19.480 (D 2676 LF 02)		Diesel		12419	353	480	02.06-	*	*
19.480 (D 2676 LF 03)		Diesel		12419	353	480	02.06-	*	*
24.480 (D 2676 LF 01)		Diesel		12419	353	480	01.06-	*	*
24.480 (D 2676 LF 12)		Diesel		12419	353	480	01.06-	*	*
26.480 (D 2676 LF 01)		Diesel		12419	353	480	02.06-	*	*
26.480 (D 2676 LF 02)		Diesel		12419	353	480	02.06-	*	*
26.480 (D 2676 LF 03)		Diesel		12419	353	480	02.06-	*	*
26.480 (D 2676 LF 05)		Diesel		12419	353	480	02.06-	*	*
26.480 (D 2676 LF 01)		Diesel		12419	353	480	02.06-	*	*
26.480 (D 2676 LF 02)		Diesel		12419	353	480	02.06-	*	*
26.480 (D 2676 LF 05)		Diesel		12419	353	480	02.06-	*	*
26.480 (D 2676 LF 12)		Diesel		12419	353	480	02.06-	*	*
28.480 (D 2676 LF 02)		Diesel		12419	353	480	02.06-	*	*
28.480 (D 2676 LF 05)		Diesel		12419	353	480	02.06-	*	*

LISTA DE APLICACIONES - BUYERS GUIDE

28.480 (D 2676 LF 14)		Diesel		12419	353	480	02.06-	*	*
33.480 (D 2676 LF 01)		Diesel		12419	353	480	01.06-	*	*
33.480 (D 2676 LF 02)		Diesel		12419	353	480	01.06-	*	*
33.480 (D 2676 LF 03)		Diesel		12419	353	480	01.06-	*	*
33.480 (D 2676 LF 05)		Diesel		12419	353	480	01.06-	*	*
40.480 (D 2676 LF 02)		Diesel		12419	353	480	06.05-	*	*
40.480 (D 2676 LF 03)		Diesel		12419	353	480	06.05-	*	*
40.480 (D 2676 LF 12)		Diesel		12419	353	480	06.05-	*	*
18.540 (D 2676 LF 13)		Diesel		12419	397	540	08.06-	*	*
28.540 (D 2676 LF 13)		Diesel		12419	397	540	08.06-	*	*
41.540 (D 2676 LF 13)		Diesel		12419	397	540	11.06-	*	*
18.460 (D 2876 LF 04)		Diesel		12816	338	460	04.00-	*	*
18.460 (D 2876 LF 07)		Diesel		12816	338	460	04.00-	*	*
19.460 (D 2876 LF 07)		Diesel		12816	338	460	05.04-	*	*
26.460 (D 2876 LF 04)		Diesel		12816	338	460	12.00-	*	*
26.460 (D 2876 LF 07)		Diesel		12816	338	460	12.00-	*	*
26.460 (D 2876 LF 04)		Diesel		12816	338	460	06.01-	*	*
26.460 (D 2876 LF 07)		Diesel		12816	338	460	06.01-	*	*
26.460		Diesel		12816	338	460	12.00-	*	*
28.460 (D 2876 LF 04)		Diesel		12816	338	460	09.02-	*	*
33.460 (D 2876 LF 04)		Diesel		12816	338	460	09.02-	*	*
33.460 (D 2876 LF 07)		Diesel		12816	338	460	09.02-	*	*
40.460 (D 2876 LF 07)		Diesel		12816	338	460	04.04-	*	*
18.480 (D 2876 LF 12)		Diesel		12816	353	480	09.02-	*	*
18.480 (D 2876 LF 25)		Diesel		12816	353	480	09.02-	*	*
19.480 (D 2876 LF 25)		Diesel		12816	353	480	05.04-	*	*
24.480 (D 2876 LF 12)		Diesel		12816	353	480	07.05-	*	*
26.480 (D 2876 LF 12)		Diesel		12816	353	480	09.02-	*	*
26.480 (D 2876 LF 25)		Diesel		12816	353	480	09.02-	*	*
26.480 (D 2876 LF 12)		Diesel		12816	353	480	09.02-	*	*
26.480		Diesel		12816	353	480	09.02-	*	*
28.480 (D 2876 LF 12)		Diesel		12816	353	480	09.02-	*	*
33.480 (D 2876 LF 12)		Diesel		12816	353	480	09.02-	*	*
33.480 (D 2876 LF 25)		Diesel		12816	353	480	09.02-	*	*
33.480 (D 2876 LF 12)		Diesel		12816	353	480	09.02-	*	*
33.480 (D 2876 LF 25)		Diesel		12816	353	480	09.02-	*	*
35.480 (D 2876 LF 12)		Diesel		12816	353	480	07.06-	*	*
40.480 (D 2876 LF 12)		Diesel		12816	353	480	04.04-	*	*
40.480 (D 2876 LF 25)		Diesel		12816	353	480	04.04-	*	*
41.480 (D 2876 LF 12)		Diesel		12816	353	480	07.06-	*	*
18.510 (D 2876 LF 05)		Diesel		12816	375	510	04.00-	*	*
26.510 (D 2876 LF 05)		Diesel		12816	375	510	12.00-	*	*
26.510 (D 2876 LF 05)		Diesel		12816	375	510	01.01-	*	*
26.510		Diesel		12816	375	510	12.00-	*	*
28.510 (D 2876 LF 05)		Diesel		12816	375	510	09.02-	*	*
33.510 (D 2876 LF 05)		Diesel		12816	375	510	09.02-	*	*
18.530 (D 2876 LF 13)		Diesel		12816	390	530	09.02-	*	*
24.530 (D 2876 LF 13)		Diesel		12816	390	530	07.05-	*	*
26.530 (D 2876 LF 13)		Diesel		12816	390	530	09.02-	*	*
26.530 (D 2876 LF 13)		Diesel		12816	390	530	01.01-	*	*
26.530		Diesel		12816	390	530	09.02-	*	*

LISTA DE APLICACIONES - BUYERS GUIDE

28.530 (D 2876 LF 13)		Diesel		12816	390	530	09.02-	*	*
33.530 (D 2876 LF 13)		Diesel		12816	390	530	09.02-	*	*
33.530 (D 2876 LF 13)		Diesel		12816	390	530	07.03-	*	*
37.530 (D 2876 LF 13)		Diesel		12816	390	530	07.06-	*	*
41.530 (D 2876 LF 13)		Diesel		12816	390	530	09.02-	*	*
41.660 (D 2840 LF25)		Diesel		18273	485	660	09.02-	*	*
TGA 03.00-								Caja/Chasis	
26.280 (D 0836 LF 41)		Diesel		6871	206	280	11.02-	*	*
26.330 (D 0836 LF 44)		Diesel		6871	240	326	11.02-	*	*
18.310, 18.320 (D 2066 LF 04)		Diesel		10518	228	310	05.04-	*	*
18.310, 18.320 (D 2066 LF 14)		Diesel		10518	228	310	05.04-	*	*
18.310, 18.320 (D 2066 LF 28)		Diesel		10518	228	310	05.04-	*	*
18.310, 18.320 (D 2066 LF 35)		Diesel		10518	228	310	05.04-	*	*
18.310, 18.320 (D 2066 LF 39)		Diesel		10518	228	310	05.04-	*	*
18.310, 18.320 (D 2066 LF 04)		Diesel		10518	228	310	05.04-	*	*
18.310, 18.320 (D 2066 LF 14)		Diesel		10518	228	310	05.04-	*	*
18.310, 18.320 (D 2066 LF 35)		Diesel		10518	228	310	05.04-	*	*
18.310, 18.320 (D 2066 LF 39)		Diesel		10518	228	310	05.04-	*	*
26.310, 26.320 (D 2066 LF 04)		Diesel		10518	228	310	05.04-	*	*
26.310, 26.320 (D 2066 LF 14)		Diesel		10518	228	310	05.04-	*	*
26.310, 26.320 (D 2066 LF 28)		Diesel		10518	228	310	05.04-	*	*
26.310, 26.320 (D 2066 LF 35)		Diesel		10518	228	310	05.04-	*	*
26.310, 26.320 (D 2066 LF 39)		Diesel		10518	228	310	05.04-	*	*
26.310, 26.320 (D 2066 LF 04)		Diesel		10518	228	310	05.04-	*	*
26.310, 26.320 (D 2066 LF 14)		Diesel		10518	228	310	05.04-	*	*
26.310, 26.320 (D 2066 LF 35)		Diesel		10518	228	310	05.04-	*	*
26.310, 26.320 (D 2066 LF 39)		Diesel		10518	228	310	05.04-	*	*
26.310, 26.320 (D 2066 LF 04)		Diesel		10518	228	310	05.04-	*	*
26.310, 26.320 (D 2066 LF 14)		Diesel		10518	228	310	05.04-	*	*
26.310, 26.320 (D 2066 LF 35)		Diesel		10518	228	310	05.04-	*	*
26.310, 26.320 (D 2066 LF 39)		Diesel		10518	228	310	05.04-	*	*
26.310, 26.320 (D 2066 LF 04)		Diesel		10518	228	310	02.04-	*	*
26.310, 26.320 (D 2066 LF 14)		Diesel		10518	228	310	02.04-	*	*
26.310, 26.320 (D 2066 LF 35)		Diesel		10518	228	310	02.04-	*	*
26.310, 26.320 (D 2066 LF 39)		Diesel		10518	228	310	02.04-	*	*
28.310 (D 2066 LF 04)		Diesel		10518	228	310	09.02-	*	*
28.310		Diesel		10518	228	310	07.06-	*	*
28.310, 28.320 (D 2066 LF 04)		Diesel		10518	228	310	07.06-	*	*
28.310, 28.320 (D 2066 LF 14)		Diesel		10518	228	310	07.06-	*	*
28.310, 28.320 (D 2066 LF 28)		Diesel		10518	228	310	07.06-	*	*
28.310, 28.320 (D 2066 LF 39)		Diesel		10518	228	310	07.06-	*	*
28.320 (D 2066 LF 04)		Diesel		10518	228	310	07.06-	*	*
28.320 (D 2066 LF 14)		Diesel		10518	228	310	07.06-	*	*
28.320 (D 2066 LF 28)		Diesel		10518	228	310	07.06-	*	*
28.320 (D 2066 LF 39)		Diesel		10518	228	310	07.06-	*	*
28.320		Diesel		10518	228	310	07.06-	*	*
35.310, 35.320 (D 2066 LF 04)		Diesel		10518	228	310	02.04-	*	*
35.310, 35.320 (D 2066 LF 35)		Diesel		10518	228	310	02.04-	*	*
35.310, 35.320 (D 2066 LF 39)		Diesel		10518	228	310	02.04-	*	*
37.310, 37.320 (D 2066 LF 04)		Diesel		10518	228	310	12.04-	*	*
37.310, 37.320 (D 2066 LF 35)		Diesel		10518	228	310	12.04-	*	*
37.310, 37.320 (D 2066 LF 39)		Diesel		10518	228	310	12.04-	*	*
28.320 (D 2066 LF 39)		Diesel		10518	235	320	06.04-	*	*
18.350, 18.360 (D 2066 LF 03)		Diesel		10518	257	350	05.04-	*	*
18.350, 18.360 (D 2066 LF 13)		Diesel		10518	257	350	05.04-	*	*

LISTA DE APLICACIONES - BUYERS GUIDE

18.350, 18.360 (D 2066 LF 27)	Diesel	10518	257	350	05.04-	*	*
18.350, 18.360 (D 2066 LF 33)	Diesel	10518	257	350	05.04-	*	*
18.350, 18.360 (D 2066 LF 38)	Diesel	10518	257	350	05.04-	*	*
18.350, 18.360 (D 2066 LF 03)	Diesel	10518	257	350	05.04-	*	*
18.350, 18.360 (D 2066 LF 13)	Diesel	10518	257	350	05.04-	*	*
18.350, 18.360 (D 2066 LF 33)	Diesel	10518	257	350	05.04-	*	*
18.350, 18.360 (D 2066 LF 38)	Diesel	10518	257	350	05.04-	*	*
24.350, 24.360 (D 2066 LF 03)	Diesel	10518	257	350	05.04-	*	*
24.350, 24.360 (D 2066 LF 13)	Diesel	10518	257	350	05.04-	*	*
24.350, 24.360 (D 2066 LF 27)	Diesel	10518	257	350	05.04-	*	*
24.350, 24.360 (D 2066 LF 33)	Diesel	10518	257	350	05.04-	*	*
24.350, 24.360 (D 2066 LF 38)	Diesel	10518	257	350	05.04-	*	*
26.350 (D 2066 LF 03)	Diesel	10518	257	350	05.04-	*	*
26.350 (D 2066 LF 03)	Diesel	10518	257	350	01.04-	*	*
26.350 (D 2066 LF 13)	Diesel	10518	257	350	01.04-	*	*
26.350 (D 2066 LF 13)	Diesel	10518	257	350	06.05-	*	*
26.350, 26.360 (D 2066 LF 03)	Diesel	10518	257	350	05.04-	*	*
26.350, 26.360 (D 2066 LF 13)	Diesel	10518	257	350	05.04-	*	*
26.350, 26.360 (D 2066 LF 27)	Diesel	10518	257	350	05.04-	*	*
26.350, 26.360 (D 2066 LF 33)	Diesel	10518	257	350	05.04-	*	*
26.350, 26.360 (D 2066 LF 38)	Diesel	10518	257	350	05.04-	*	*
26.350, 26.360 (D 2066 LF 03)	Diesel	10518	257	350	05.04-	*	*
26.350, 26.360 (D 2066 LF 13)	Diesel	10518	257	350	05.04-	*	*
26.350, 26.360 (D 2066 LF 33)	Diesel	10518	257	350	05.04-	*	*
26.350, 26.360 (D 2066 LF 38)	Diesel	10518	257	350	05.04-	*	*
28.350 (D 2066 LF 03)	Diesel	10518	257	350	07.06-	*	*
28.350 (D 2066 LF 13)	Diesel	10518	257	350	07.06-	*	*
28.350, 28.360 (D 2066 LF 03)	Diesel	10518	257	350	06.04-	*	*
28.350, 28.360 (D 2066 LF 13)	Diesel	10518	257	350	06.04-	*	*
28.350, 28.360 (D 2066 LF 27)	Diesel	10518	257	350	06.04-	*	*
28.350, 28.360 (D 2066 LF 38)	Diesel	10518	257	350	06.04-	*	*
28.350, 28.360 (D 2066 LF 03)	Diesel	10518	257	350	07.06-	*	*
28.350, 28.360 (D 2066 LF 13)	Diesel	10518	257	350	07.06-	*	*
28.350, 28.360 (D 2066 LF 38)	Diesel	10518	257	350	07.06-	*	*
28.350, 28.360	Diesel	10518	257	350	06.04-	*	*
32.350, 32.360 (D 2066 LF 03)	Diesel	10518	257	350	05.04-	*	*
32.350, 32.360 (D 2066 LF 13)	Diesel	10518	257	350	05.04-	*	*
32.350, 32.360 (D 2066 LF 33)	Diesel	10518	257	350	05.04-	*	*
32.350, 32.360 (D 2066 LF 38)	Diesel	10518	257	350	05.04-	*	*
33.350, 33.360 (D 2066 LF 03)	Diesel	10518	257	350	05.04-	*	*
33.350, 33.360 (D 2066 LF 07)	Diesel	10518	257	350	05.04-	*	*
33.350, 33.360 (D 2066 LF 13)	Diesel	10518	257	350	05.04-	*	*
33.350, 33.360 (D 2066 LF 33)	Diesel	10518	257	350	05.04-	*	*
33.350, 33.360 (D 2066 LF 38)	Diesel	10518	257	350	05.04-	*	*
33.350, 33.360 (D 2066 LF 03)	Diesel	10518	257	350	06.05-	*	*
33.350, 33.360 (D 2066 LF 07)	Diesel	10518	257	350	06.05-	*	*
33.350, 33.360 (D 2066 LF 13)	Diesel	10518	257	350	06.05-	*	*
33.350, 33.360 (D 2066 LF 33)	Diesel	10518	257	350	06.05-	*	*
33.350, 33.360 (D 2066 LF 38)	Diesel	10518	257	350	06.05-	*	*
35.350 (D 2066 LF 03)	Diesel	10518	257	350	07.06-	*	*
35.350 (D 2066 LF 13)	Diesel	10518	257	350	07.06-	*	*

LISTA DE APLICACIONES - BUYERS GUIDE

35.350, 35.360 (D 2066 LF 03)		Diesel		10518	257	350	02.04-	*	*
35.350, 35.360 (D 2066 LF 13)		Diesel		10518	257	350	02.04-	*	*
35.350, 35.360 (D 2066 LF 33)		Diesel		10518	257	350	02.04-	*	*
35.350, 35.360 (D 2066 LF 38)		Diesel		10518	257	350	02.04-	*	*
37.350, 37.360 (D 2066 LF 03)		Diesel		10518	257	350	12.04-	*	*
37.350, 37.360 (D 2066 LF 13)		Diesel		10518	257	350	12.04-	*	*
37.350, 37.360 (D 2066 LF 33)		Diesel		10518	257	350	12.04-	*	*
37.350, 37.360 (D 2066 LF 38)		Diesel		10518	257	350	12.04-	*	*
41.350, 41.360 (D 2066 LF 03)		Diesel		10518	257	350	12.04-	*	*
41.350, 41.360 (D 2066 LF 07)		Diesel		10518	257	350	12.04-	*	*
41.350, 41.360 (D 2066 LF 13)		Diesel		10518	257	350	12.04-	*	*
41.350, 41.360 (D 2066 LF 33)		Diesel		10518	257	350	12.04-	*	*
41.350, 41.360 (D 2066 LF 38)		Diesel		10518	257	350	12.04-	*	*
26.360 (D 2066 LF 07)		Diesel		10518	265	360	05.04-	*	*
26.360 (D 2066 LF 38)		Diesel		10518	265	360	04.06-	*	*
26.360 (D 2066 LF 38)		Diesel		10518	265	360	04.06-	*	*
26.360 (D 2066 LF 38)		Diesel		10518	265	360	04.06-	*	*
28.360 (D 2066 LF 38)		Diesel		10518	265	360	07.06-	*	*
35.360 (D 2066 LF 38)		Diesel		10518	265	360	07.06-	*	*
35.360 (D 2066 LF 38)		Diesel		10518	265	360	07.06-	*	*
35.360		Diesel		10518	265	360	07.06-	*	*
41.360 (D 2066 LF 07)		Diesel		10518	265	360	12.08-	*	*
18.390, 18.400 (D 2066 LF 02)		Diesel		10518	287	390	05.04-	*	*
18.390, 18.400 (D 2066 LF 12)		Diesel		10518	287	390	05.04-	*	*
18.390, 18.400 (D 2066 LF 26)		Diesel		10518	287	390	05.04-	*	*
18.390, 18.400 (D 2066 LF 32)		Diesel		10518	287	390	05.04-	*	*
18.390, 18.400 (D 2066 LF 37)		Diesel		10518	287	390	05.04-	*	*
18.390, 18.400 (D 2066 LF 02)		Diesel		10518	287	390	05.04-	*	*
18.390, 18.400 (D 2066 LF 12)		Diesel		10518	287	390	05.04-	*	*
18.390, 18.400 (D 2066 LF 32)		Diesel		10518	287	390	05.04-	*	*
18.390, 18.400 (D 2066 LF 37)		Diesel		10518	287	390	05.04-	*	*
24.390, 24.400 (D 2066 LF 02)		Diesel		10518	287	390	05.04-	*	*
24.390, 24.400 (D 2066 LF 12)		Diesel		10518	287	390	05.04-	*	*
24.390, 24.400 (D 2066 LF 26)		Diesel		10518	287	390	05.04-	*	*
24.390, 24.400 (D 2066 LF 32)		Diesel		10518	287	390	05.04-	*	*
24.390, 24.400 (D 2066 LF 37)		Diesel		10518	287	390	05.04-	*	*
26.390 (D 2066 LF 02)		Diesel		10518	287	390	02.04-	*	*
26.390 (D 2066 LF 12)		Diesel		10518	287	390	02.04-	*	*
26.390, 26.400 (D 2066 LF 02)		Diesel		10518	287	390	05.04-	*	*
26.390, 26.400 (D 2066 LF 12)		Diesel		10518	287	390	05.04-	*	*
26.390, 26.400 (D 2066 LF 24)		Diesel		10518	287	390	05.04-	*	*
26.390, 26.400 (D 2066 LF 26)		Diesel		10518	287	390	05.04-	*	*
26.390, 26.400 (D 2066 LF 32)		Diesel		10518	287	390	05.04-	*	*
26.390, 26.400 (D 2066 LF 37)		Diesel		10518	287	390	05.04-	*	*
26.390, 26.400 (D 2066 LF 02)		Diesel		10518	287	390	05.04-	*	*
26.390, 26.400 (D 2066 LF 06)		Diesel		10518	287	390	05.04-	*	*
26.390, 26.400 (D 2066 LF 12)		Diesel		10518	287	390	05.04-	*	*
26.390, 26.400 (D 2066 LF 32)		Diesel		10518	287	390	05.04-	*	*
26.390, 26.400 (D 2066 LF 37)		Diesel		10518	287	390	05.04-	*	*
28.390 (D 2066 LF 02)		Diesel		10518	287	390	07.06-	*	*
28.390 (D 2066 LF 12)		Diesel		10518	287	390	07.06-	*	*

LISTA DE APLICACIONES - BUYERS GUIDE

28.390 (D 2066 LF 02)		Diesel		10518	287	390	07.06-	*	*
28.390 (D 2066 LF 12)		Diesel		10518	287	390	07.06-	*	*
28.390, 28.400 (D 2066 LF 02)		Diesel		10518	287	390	06.04-	*	*
28.390, 28.400 (D 2066 LF 12)		Diesel		10518	287	390	06.04-	*	*
28.390, 28.400 (D 2066 LF 26)		Diesel		10518	287	390	06.04-	*	*
28.390, 28.400 (D 2066 LF 37)		Diesel		10518	287	390	06.04-	*	*
28.390, 28.400		Diesel		10518	287	390	06.04-	*	*
32.390, 32.400 (D 2066 LF 02)		Diesel		10518	287	390	05.04-	*	*
32.390, 32.400 (D 2066 LF 12)		Diesel		10518	287	390	05.04-	*	*
32.390, 32.400 (D 2066 LF 32)		Diesel		10518	287	390	05.04-	*	*
32.390, 32.400 (D 2066 LF 37)		Diesel		10518	287	390	05.04-	*	*
33.390, 33.400 (D 2066 LF 02)		Diesel		10518	287	390	05.04-	*	*
33.390, 33.400 (D 2066 LF 06)		Diesel		10518	287	390	05.04-	*	*
33.390, 33.400 (D 2066 LF 12)		Diesel		10518	287	390	05.04-	*	*
33.390, 33.400 (D 2066 LF 32)		Diesel		10518	287	390	05.04-	*	*
33.390, 33.400 (D 2066 LF 37)		Diesel		10518	287	390	05.04-	*	*
35.390 (D 2066 LF 02)		Diesel		10518	287	390	07.06-	*	*
35.390 (D 2066 LF 12)		Diesel		10518	287	390	07.06-	*	*
35.390 (D 2066 LF 02)		Diesel		10518	287	390	07.06-	*	*
35.390 (D 2066 LF 12)		Diesel		10518	287	390	07.06-	*	*
35.390, 35.400 (D 2066 LF 02)		Diesel		10518	287	390	02.04-	*	*
35.390, 35.400 (D 2066 LF 06)		Diesel		10518	287	390	02.04-	*	*
35.390, 35.400 (D 2066 LF 12)		Diesel		10518	287	390	02.04-	*	*
35.390, 35.400 (D 2066 LF 32)		Diesel		10518	287	390	02.04-	*	*
35.390, 35.400 (D 2066 LF 37)		Diesel		10518	287	390	02.04-	*	*
37.390, 37.400 (D 2066 LF 02)		Diesel		10518	287	390	12.04-	*	*
37.390, 37.400 (D 2066 LF 12)		Diesel		10518	287	390	12.04-	*	*
37.390, 37.400 (D 2066 LF 32)		Diesel		10518	287	390	12.04-	*	*
37.390, 37.400 (D 2066 LF 37)		Diesel		10518	287	390	12.04-	*	*
39.390 (D 2066 LF 12)		Diesel		10518	287	390	07.06-	*	*
41.390, 41.400 (D 2066 LF 02)		Diesel		10518	287	390	12.04-	*	*
41.390, 41.400 (D 2066 LF 06)		Diesel		10518	287	390	12.04-	*	*
41.390, 41.400 (D 2066 LF 12)		Diesel		10518	287	390	12.04-	*	*
41.390, 41.400 (D 2066 LF 32)		Diesel		10518	287	390	12.04-	*	*
41.390, 41.400 (D 2066 LF 37)		Diesel		10518	287	390	12.04-	*	*
26.400 (D 2066 LF 37)		Diesel		10518	294	400	04.06-	*	*
28.400 (D 2066 LF 37)		Diesel		10518	294	400	07.06-	*	*
28.400 (D 2066 LF 26)		Diesel		10518	294	400	07.06-	*	*
28.400 (D 2066 LF 37)		Diesel		10518	294	400	07.06-	*	*
35.400 (D 2066 LF 37)		Diesel		10518	294	400	07.06-	*	*
35.400 (D 2066 LF 37)		Diesel		10518	294	400	11.06-	*	*
35.400 (D 2066 LF 37)		Diesel		10518	294	400	07.06-	*	*
35.400		Diesel		10518	294	400	11.06-	*	*
39.400 (D 2066 LF 37)		Diesel		10518	294	400	07.06-	*	*
41.400 (D 2066 LF 06)		Diesel		10518	294	400	12.08-	*	*
18.430, 18.440 (D 2066 LF 01)		Diesel		10518	316	430	05.04-	*	*
18.430, 18.440 (D 2066 LF 11)		Diesel		10518	316	430	05.04-	*	*
18.430, 18.440 (D 2066 LF 25)		Diesel		10518	316	430	05.04-	*	*
18.430, 18.440 (D 2066 LF 31)		Diesel		10518	316	430	05.04-	*	*
18.430, 18.440 (D 2066 LF 36)		Diesel		10518	316	430	05.04-	*	*
18.430, 18.440 (D 2066 LF 01)		Diesel		10518	316	430	05.04-	*	*

LISTA DE APLICACIONES - BUYERS GUIDE

18.430, 18.440 (D 2066 LF 11)		Diesel		10518	316	430	05.04-	*	*
18.430, 18.440 (D 2066 LF 31)		Diesel		10518	316	430	05.04-	*	*
18.430, 18.440 (D 2066 LF 36)		Diesel		10518	316	430	05.04-	*	*
24.430, 24.440 (D 2066 LF 01)		Diesel		10518	316	430	05.04-	*	*
24.430, 24.440 (D 2066 LF 11)		Diesel		10518	316	430	05.04-	*	*
24.430, 24.440 (D 2066 LF 23)		Diesel		10518	316	430	05.04-	*	*
24.430, 24.440 (D 2066 LF 25)		Diesel		10518	316	430	05.04-	*	*
24.430, 24.440 (D 2066 LF 31)		Diesel		10518	316	430	05.04-	*	*
24.430, 24.440 (D 2066 LF 36)		Diesel		10518	316	430	05.04-	*	*
26.430, 26.440 (D 2066 LF 01)		Diesel		10518	316	430	05.04-	*	*
26.430, 26.440 (D 2066 LF 11)		Diesel		10518	316	430	05.04-	*	*
26.430, 26.440 (D 2066 LF 23)		Diesel		10518	316	430	05.04-	*	*
26.430, 26.440 (D 2066 LF 25)		Diesel		10518	316	430	05.04-	*	*
26.430, 26.440 (D 2066 LF 31)		Diesel		10518	316	430	05.04-	*	*
26.430, 26.440 (D 2066 LF 36)		Diesel		10518	316	430	05.04-	*	*
26.430, 26.440 (D 2066 LF 01)		Diesel		10518	316	430	05.04-	*	*
26.430, 26.440 (D 2066 LF 11)		Diesel		10518	316	430	05.04-	*	*
26.430, 26.440 (D 2066 LF 31)		Diesel		10518	316	430	05.04-	*	*
26.430, 26.440 (D 2066 LF 36)		Diesel		10518	316	430	05.04-	*	*
26.430, 26.440 (D 2066 LF 01)		Diesel		10518	316	430	06.05-	*	*
26.430, 26.440 (D 2066 LF 11)		Diesel		10518	316	430	06.05-	*	*
26.430, 26.440 (D 2066 LF 31)		Diesel		10518	316	430	06.05-	*	*
26.430, 26.440 (D 2066 LF 36)		Diesel		10518	316	430	06.05-	*	*
26.430, 26.440		Diesel		10518	316	430	05.04-	*	*
28.430 (D 2066 LF 01)		Diesel		10518	316	430	07.06-	*	*
28.430 (D 2066 LF 11)		Diesel		10518	316	430	07.06-	*	*
28.430		Diesel		10518	316	430	09.02-10.08	*	*
28.430, 28.440 (D 2066 LF 01)		Diesel		10518	316	430	06.04-	*	*
28.430, 28.440 (D 2066 LF 11)		Diesel		10518	316	430	06.04-	*	*
28.430, 28.440 (D 2066 LF 25)		Diesel		10518	316	430	06.04-	*	*
28.430, 28.440 (D 2066 LF 36)		Diesel		10518	316	430	06.04-	*	*
32.430, 32.440 (D 2066 LF 01)		Diesel		10518	316	430	05.04-	*	*
32.430, 32.440 (D 2066 LF 11)		Diesel		10518	316	430	05.04-	*	*
32.430, 32.440 (D 2066 LF 31)		Diesel		10518	316	430	05.04-	*	*
32.430, 32.440 (D 2066 LF 36)		Diesel		10518	316	430	05.04-	*	*
33.430, 33.440 (D 2066 LF 01)		Diesel		10518	316	430	05.04-	*	*
33.430, 33.440 (D 2066 LF 11)		Diesel		10518	316	430	05.04-	*	*
33.430, 33.440 (D 2066 LF 31)		Diesel		10518	316	430	05.04-	*	*
33.430, 33.440 (D 2066 LF 36)		Diesel		10518	316	430	05.04-	*	*
35.430 (D 2066 LF 01)		Diesel		10518	316	430	07.06-	*	*
35.430 (D 2066 LF 11)		Diesel		10518	316	430	07.06-	*	*
35.430 (D 2066 LF 01)		Diesel		10518	316	430	07.06-	*	*
35.430 (D 2066 LF 11)		Diesel		10518	316	430	07.06-	*	*
35.430, 35.440 (D 2066 LF 01)		Diesel		10518	316	430	02.04-	*	*
35.430, 35.440 (D 2066 LF 11)		Diesel		10518	316	430	02.04-	*	*
35.430, 35.440 (D 2066 LF 31)		Diesel		10518	316	430	02.04-	*	*
35.430, 35.440 (D 2066 LF 36)		Diesel		10518	316	430	02.04-	*	*
37.430, 37.440 (D 2066 LF 01)		Diesel		10518	316	430	12.04-	*	*
37.430, 37.440 (D 2066 LF 11)		Diesel		10518	316	430	12.04-	*	*
37.430, 37.440 (D 2066 LF 31)		Diesel		10518	316	430	12.04-	*	*
37.430, 37.440 (D 2066 LF 36)		Diesel		10518	316	430	12.04-	*	*

LISTA DE APLICACIONES - BUYERS GUIDE

39.430 (D 2066 LF 01)		Diesel		10518	316	430	07.06-	*	*
39.430 (D 2066 LF 11)		Diesel		10518	316	430	07.06-	*	*
41.430, 41.440 (D 2066 LF 01)		Diesel		10518	316	430	12.04-	*	*
41.430, 41.440 (D 2066 LF 11)		Diesel		10518	316	430	12.04-	*	*
41.430, 41.440 (D 2066 LF 31)		Diesel		10518	316	430	12.04-	*	*
28.440 (D 2066 LF 36)		Diesel		10518	324	440	01.04-10.08	*	*
28.440		Diesel		10518	324	440	07.06-	*	*
35.440 (D 2066 LF 36)		Diesel		10518	324	440	07.06-	*	*
35.440 (D 2066 LF 36)		Diesel		10518	324	440	11.06-	*	*
35.440 (D 2066 LF 36)		Diesel		10518	324	440	07.06-	*	*
35.440		Diesel		10518	324	440	11.06-	*	*
39.440 (D 2066 LF 36)		Diesel		10518	324	440	07.06-	*	*
18.310, 18.320 (D 2866 LF26)		Diesel		11967	228	310	04.00-	*	*
18.310, 18.320 (D 2866 LF36)		Diesel		11967	228	310	04.00-	*	*
26.310 (D 2866 LF26)		Diesel		11967	228	310	09.00-	*	*
26.310 (D 2866 LF36)		Diesel		11967	228	310	09.00-	*	*
26.310 (D 2866 LF26)		Diesel		11967	228	310	01.01-	*	*
26.310 (D 2866 LF36)		Diesel		11967	228	310	09.03-	*	*
28.310 (D 2866 LF26)		Diesel		11967	228	310	09.02-	*	*
28.310 (D 2866 LF26)		Diesel		11967	228	310	09.02-	*	*
28.310		Diesel		11967	228	310	07.06-	*	*
32.310 (D 2866 LF26)		Diesel		11967	228	310	01.02-	*	*
35.310 (D 2866 LF26)		Diesel		11967	228	310	06.03-	*	*
37.310 (D 2866 LF26)		Diesel		11967	228	310	12.04-	*	*
18.360 (D 2866 LF27)		Diesel		11967	265	360	04.00-	*	*
18.360 (D 2866 LF37)		Diesel		11967	265	360	04.00-	*	*
24.360 (D 2866 LF27)		Diesel		11967	265	360	09.01-	*	*
26.360 (D 2866 LF27)		Diesel		11967	265	360	09.00-	*	*
26.360 (D 2866 LF37)		Diesel		11967	265	360	09.00-	*	*
26.360 (D 2866 LF27)		Diesel		11967	265	360	01.01-	*	*
26.360 (D 2866 LF37)		Diesel		11967	265	360	01.01-	*	*
26.360		Diesel		11967	265	360	09.00-	*	*
28.360 (D 2866 LF27)		Diesel		11967	265	360	09.02-	*	*
28.360 (D 2866 LF27)		Diesel		11967	265	360	07.06-	*	*
28.360 (D 2866 LF27)		Diesel		11967	265	360	09.02-	*	*
28.360		Diesel		11967	265	360	07.06-	*	*
32.360 (D 2866 LF27)		Diesel		11967	265	360	01.02-	*	*
33.360 (D 2866 LF27)		Diesel		11967	265	360	10.00-	*	*
33.360 (D 2866 LF37)		Diesel		11967	265	360	10.00-	*	*
33.360 (D 2866 LF27)		Diesel		11967	265	360	09.02-	*	*
33.360 (D 2866 LF37)		Diesel		11967	265	360	09.02-	*	*
35.360 (D 2866 LF27)		Diesel		11967	265	360	10.03-	*	*
35.360 (D 2866 LF27)		Diesel		11967	265	360	07.06-	*	*
37.360 (D 2866 LF27)		Diesel		11967	265	360	12.04-	*	*
41.360 (D 2866 LF27)		Diesel		11967	265	360	01.03-	*	*
41.360 (D 2866 LF37)		Diesel		11967	265	360	01.03-	*	*
18.410, 18.420 (D 2866 LF28)		Diesel		11967	301	410	04.00-	*	*
18.410, 18.420 (D 2866 LF32)		Diesel		11967	301	410	04.00-	*	*
24.410 (D 2866 LF28)		Diesel		11967	301	410	09.01-	*	*
26.410 (D 2866 LF28)		Diesel		11967	301	410	04.00-	*	*
26.410 (D 2866 LF32)		Diesel		11967	301	410	04.00-	*	*

LISTA DE APLICACIONES - BUYERS GUIDE

26.410 (D 2866 LF28)		Diesel		11967	301	410	01.01-	*	*
26.410 (D 2866 LF32)		Diesel		11967	301	410	01.01-	*	*
26.410 (D 2866 LF28)		Diesel		11967	301	410	09.03-	*	*
28.410 (D 2866 LF28)		Diesel		11967	301	410	09.02-	*	*
28.410 (D 2866 LF28)		Diesel		11967	301	410	07.06-	*	*
28.410 (D 2866 LF28)		Diesel		11967	301	410	09.02-	*	*
28.410		Diesel		11967	301	410	07.06-	*	*
32.410 (D 2866 LF28)		Diesel		11967	301	410	01.02-	*	*
33.410 (D 2866 LF28)		Diesel		11967	301	410	10.00-	*	*
33.410 (D 2866 LF32)		Diesel		11967	301	410	10.00-	*	*
33.410 (D 2866 LF28)		Diesel		11967	301	410	09.02-	*	*
33.410 (D 2866 LF32)		Diesel		11967	301	410	09.02-	*	*
35.410 (D 2866 LF28)		Diesel		11967	301	410	10.03-	*	*
35.410 (D 2866 LF28)		Diesel		11967	301	410	07.06-	*	*
35.410 (D 2866 LF28)		Diesel		11967	301	410	07.06-	*	*
37.410 (D 2866 LF28)		Diesel		11967	301	410	12.04-	*	*
41.410 (D 2866 LF28)		Diesel		11967	301	410	09.03-	*	*
41.410 (D 2866 LF32)		Diesel		11967	301	410	09.03-	*	*
26.440 (D 2676 LF 04)		Diesel		12419	324	440	02.06-	*	*
33.440 (D 2676 LF 04)		Diesel		12419	324	440	06.05-	*	*
41.440 (D 2676 LF 04)		Diesel		12419	324	440	12.04-	*	*
18.480 (D 2676 LF 01)		Diesel		12419	353	480	01.06-	*	*
18.480 (D 2676 LF 05)		Diesel		12419	353	480	01.06-	*	*
18.480 (D 2676 LF 14)		Diesel		12419	353	480	01.06-	*	*
24.480 (D 2676 LF 01)		Diesel		12419	353	480	01.06-	*	*
24.480 (D 2676 LF 05)		Diesel		12419	353	480	01.06-	*	*
24.480 (D 2676 LF 12)		Diesel		12419	353	480	01.06-	*	*
24.480 (D 2676 LF 14)		Diesel		12419	353	480	01.06-	*	*
26.480 (D 2676 LF 01)		Diesel		12419	353	480	02.06-	*	*
26.480 (D 2676 LF 02)		Diesel		12419	353	480	02.06-	*	*
26.480 (D 2676 LF 03)		Diesel		12419	353	480	02.06-	*	*
26.480 (D 2676 LF 05)		Diesel		12419	353	480	02.06-	*	*
26.480 (D 2676 LF 01)		Diesel		12419	353	480	02.06-	*	*
26.480 (D 2676 LF 02)		Diesel		12419	353	480	02.06-	*	*
26.480 (D 2676 LF 05)		Diesel		12419	353	480	02.06-	*	*
26.480 (D 2676 LF 12)		Diesel		12419	353	480	02.06-	*	*
26.480 (D 2676 LF 14)		Diesel		12419	353	480	02.06-	*	*
26.480		Diesel		12419	353	480	02.06-	*	*
28.480 (D 2676 LF 02)		Diesel		12419	353	480	02.06-	*	*
28.480 (D 2676 LF 05)		Diesel		12419	353	480	02.06-	*	*
28.480 (D 2676 LF 14)		Diesel		12419	353	480	02.06-	*	*
28.480 (D 2676 LF 05)		Diesel		12419	353	480	07.06-	*	*
32.480 (D 2676 LF 01)		Diesel		12419	353	480	02.06-	*	*
32.480 (D 2676 LF 05)		Diesel		12419	353	480	02.06-	*	*
33.480 (D 2676 LF 01)		Diesel		12419	353	480	01.06-	*	*
33.480 (D 2676 LF 02)		Diesel		12419	353	480	01.06-	*	*
33.480 (D 2676 LF 03)		Diesel		12419	353	480	01.06-	*	*
33.480 (D 2676 LF 05)		Diesel		12419	353	480	01.06-	*	*
35.480 (D 2676 LF 01)		Diesel		12419	353	480	02.04-	*	*
35.480 (D 2676 LF 05)		Diesel		12419	353	480	02.04-	*	*
35.480 (D 2676 LF 05)		Diesel		12419	353	480	07.06-	*	*

LISTA DE APLICACIONES - BUYERS GUIDE

35.480 (D 2676 LF 05)		Diesel		12419	353	480	11.06-	*	*
35.480 (D 2676 LF 05)		Diesel		12419	353	480	07.06-	*	*
35.480		Diesel		12419	353	480	11.06-	*	*
37.480 (D 2676 LF 01)		Diesel		12419	353	480	02.06-	*	*
37.480 (D 2676 LF 05)		Diesel		12419	353	480	02.06-	*	*
39.480 (D 2676 LF 05)		Diesel		12419	353	480	07.06-	*	*
41.480 (D 2676 LF 01)		Diesel		12419	353	480	02.06-	*	*
41.480 (D 2676 LF 02)		Diesel		12419	353	480	02.06-	*	*
41.480 (D 2676 LF 03)		Diesel		12419	353	480	02.06-	*	*
41.480 (D 2676 LF 05)		Diesel		12419	353	480	02.06-	*	*
18.540 (D 2676 LF 13)		Diesel		12419	397	540	08.06-	*	*
24.540 (D 2676 LF 11)		Diesel		12419	397	540	01.06-	*	*
24.540 (D 2676 LF 13)		Diesel		12419	397	540	01.06-	*	*
26.540 (D 2676 LF 13)		Diesel		12419	397	540	08.06-	*	*
26.540		Diesel		12419	397	540	08.06-	*	*
28.540 (D 2676 LF 13)		Diesel		12419	397	540	08.06-	*	*
18.460 (D 2876 LF 04)		Diesel		12816	338	460	04.00-	*	*
18.460 (D 2876 LF 07)		Diesel		12816	338	460	04.00-	*	*
24.460 (D 2876 LF 04)		Diesel		12816	338	460	09.01-	*	*
26.460 (D 2876 LF 04)		Diesel		12816	338	460	04.00-	*	*
26.460 (D 2876 LF 07)		Diesel		12816	338	460	04.00-	*	*
26.460 (D 2876 LF 04)		Diesel		12816	338	460	01.01-	*	*
26.460 (D 2876 LF 07)		Diesel		12816	338	460	01.01-	*	*
26.460 (D 2876 LF 04)		Diesel		12816	338	460	02.01-	*	*
26.460 (D 2876 LF 07)		Diesel		12816	338	460	02.01-	*	*
28.460 (D 2876 LF 04)		Diesel		12816	338	460	09.02-	*	*
32.460 (D 2876 LF 04)		Diesel		12816	338	460	01.02-	*	*
33.460 (D 2876 LF 04)		Diesel		12816	338	460	09.02-	*	*
33.460 (D 2876 LF 07)		Diesel		12816	338	460	09.02-	*	*
35.460 (D 2876 LF 04)		Diesel		12816	338	460	10.03-	*	*
35.460 (D 2876 LF 04)		Diesel		12816	338	460	07.06-	*	*
37.460 (D 2876 LF 04)		Diesel		12816	338	460	12.04-	*	*
41.460 (D 2876 LF 07)		Diesel		12816	338	460	09.03-	*	*
18.480 (D 2876 LF 12)		Diesel		12816	353	480	09.02-	*	*
24.480 (D 2876 LF 12)		Diesel		12816	353	480	09.02-	*	*
26.480 (D 2876 LF 12)		Diesel		12816	353	480	09.02-	*	*
26.480 (D 2876 LF 25)		Diesel		12816	353	480	09.02-	*	*
26.480 (D 2876 LF 12)		Diesel		12816	353	480	09.02-	*	*
26.480		Diesel		12816	353	480	09.02-	*	*
28.390 (D 2876 LF 12)		Diesel		12816	353	480	07.06-	*	*
28.480 (D 2876 LF 12)		Diesel		12816	353	480	09.02-	*	*
28.480 (D 2876 LF 12)		Diesel		12816	353	480	07.06-	*	*
32.480 (D 2876 LF 12)		Diesel		12816	353	480	09.02-	*	*
33.480 (D 2876 LF 12)		Diesel		12816	353	480	09.02-	*	*
33.480 (D 2876 LF 25)		Diesel		12816	353	480	09.02-	*	*
33.480 (D 2876 LF 12)		Diesel		12816	353	480	09.02-	*	*
33.480 (D 2876 LF 25)		Diesel		12816	353	480	09.02-	*	*
35.480 (D 2876 LF 12)		Diesel		12816	353	480	10.03-	*	*
35.480 (D 2876 LF 12)		Diesel		12816	353	480	07.06-	*	*
35.480 (D 2876 LF 12)		Diesel		12816	353	480	07.06-	*	*
37.480 (D 2876 LF 12)		Diesel		12816	353	480	12.04-	*	*

LISTA DE APLICACIONES - BUYERS GUIDE

41.480 (D 2876 LF 12)		Diesel		12816	353	480	06.05-	*	*	
41.480 (D 2876 LF 25)		Diesel		12816	353	480	06.05-	*	*	
18.510 (D 2876 LF 05)		Diesel		12816	375	510	09.00-	*	*	
24.510 (D 2876 LF 05)		Diesel		12816	375	510	09.01-	*	*	
26.510 (D 2876 LF 05)		Diesel		12816	375	510	12.00-	*	*	
26.510 (D 2876 LF 05)		Diesel		12816	375	510	01.01-	*	*	
26.510		Diesel		12816	375	510	12.00-	*	*	
28.510 (D 2876 LF 05)		Diesel		12816	375	510	09.02-	*	*	
33.510 (D 2876 LF 05)		Diesel		12816	375	510	09.02-	*	*	
18.530 (D 2876 LF 13)		Diesel		12816	390	530	09.02-	*	*	
24.530 (D 2876 LF 13)		Diesel		12816	390	530	09.01-	*	*	
26.530 (D 2876 LF 13)		Diesel		12816	390	530	09.02-	*	*	
26.530 (D 2876 LF 13)		Diesel		12816	390	530	01.01-	*	*	
26.530		Diesel		12816	390	530	09.02-	*	*	
28.530 (D 2876 LF 13)		Diesel		12816	390	530	09.02-	*	*	
28.530 (D 2876 LF 13)		Diesel		12816	390	530	07.06-	*	*	
33.530 (D 2876 LF 13)		Diesel		12816	390	530	09.02-	*	*	
35.530 (D 2876 LF 13)		Diesel		12816	390	530	04.04-	*	*	
35.530 (D 2876 LF 13)		Diesel		12816	390	530	04.04-	*	*	
35.530 (D 2876 LF 13)		Diesel		12816	390	530	07.06-	*	*	
37.530 (D 2876 LF 13)		Diesel		12816	390	530	12.04-	*	*	
41.530 (D 2876 LF 13)		Diesel		12816	390	530	12.04-	*	*	
TGA 03.00-							Camión volquete			
18.310, 18.320 (D 2066 LF 04)		Diesel		10518	228	310	05.04-	*	*	
18.310, 18.320 (D 2066 LF 14)		Diesel		10518	228	310	05.04-	*	*	
18.310, 18.320 (D 2066 LF 35)		Diesel		10518	228	310	05.04-	*	*	
18.310, 18.320 (D 2066 LF 39)		Diesel		10518	228	310	05.04-	*	*	
18.310, 18.320 (D 2066 LF 04)		Diesel		10518	228	310	05.04-	*	*	
18.310, 18.320 (D 2066 LF 14)		Diesel		10518	228	310	05.04-	*	*	
18.310, 18.320 (D 2066 LF 35)		Diesel		10518	228	310	05.04-	*	*	
18.310, 18.320 (D 2066 LF 39)		Diesel		10518	228	310	05.04-	*	*	
26.310, 26.320 (D 2066 LF 04)		Diesel		10518	228	310	05.04-	*	*	
26.310, 26.320 (D 2066 LF 14)		Diesel		10518	228	310	05.04-	*	*	
26.310, 26.320 (D 2066 LF 35)		Diesel		10518	228	310	05.04-	*	*	
26.310, 26.320 (D 2066 LF 39)		Diesel		10518	228	310	05.04-	*	*	
26.310, 26.320 (D 2066 LF 04)		Diesel		10518	228	310	06.05-	*	*	
26.310, 26.320 (D 2066 LF 35)		Diesel		10518	228	310	06.05-	*	*	
26.310, 26.320 (D 2066 LF 39)		Diesel		10518	228	310	06.05-	*	*	
35.310, 35.320 (D 2066 LF 04)		Diesel		10518	228	310	02.04-	*	*	
35.310, 35.320 (D 2066 LF 35)		Diesel		10518	228	310	02.04-	*	*	
35.310, 35.320 (D 2066 LF 39)		Diesel		10518	228	310	02.04-	*	*	
37.310, 37.320 (D 2066 LF 04)		Diesel		10518	228	310	12.04-	*	*	
37.310, 37.320 (D 2066 LF 35)		Diesel		10518	228	310	12.04-	*	*	
37.310, 37.320 (D 2066 LF 39)		Diesel		10518	228	310	12.04-	*	*	
18.350, 18.360 (D 2066 LF 03)		Diesel		10518	257	350	05.04-	*	*	
18.350, 18.360 (D 2066 LF 13)		Diesel		10518	257	350	05.04-	*	*	
18.350, 18.360 (D 2066 LF 33)		Diesel		10518	257	350	05.04-	*	*	
18.350, 18.360 (D 2066 LF 38)		Diesel		10518	257	350	05.04-	*	*	
18.350, 18.360 (D 2066 LF 03)		Diesel		10518	257	350	05.04-	*	*	
18.350, 18.360 (D 2066 LF 13)		Diesel		10518	257	350	05.04-	*	*	
18.350, 18.360 (D 2066 LF 33)		Diesel		10518	257	350	05.04-	*	*	

LISTA DE APLICACIONES - BUYERS GUIDE

18.350, 18.360 (D 2066 LF 38)		Diesel		10518	257	350	05.04-	*	*
26.350, 26.360 (D 2066 LF 03)		Diesel		10518	257	350	05.04-	*	*
26.350, 26.360 (D 2066 LF 13)		Diesel		10518	257	350	05.04-	*	*
26.350, 26.360 (D 2066 LF 33)		Diesel		10518	257	350	05.04-	*	*
26.350, 26.360 (D 2066 LF 38)		Diesel		10518	257	350	05.04-	*	*
28.350 (D 2066 LF 03)		Diesel		10518	257	350	07.06-	*	*
28.350 (D 2066 LF 13)		Diesel		10518	257	350	07.06-	*	*
33.350, 33.360 (D 2066 LF 03)		Diesel		10518	257	350	05.04-	*	*
33.350, 33.360 (D 2066 LF 07)		Diesel		10518	257	350	05.04-	*	*
33.350, 33.360 (D 2066 LF 13)		Diesel		10518	257	350	05.04-	*	*
33.350, 33.360 (D 2066 LF 33)		Diesel		10518	257	350	05.04-	*	*
33.350, 33.360 (D 2066 LF 38)		Diesel		10518	257	350	05.04-	*	*
33.350, 33.360 (D 2066 LF 03)		Diesel		10518	257	350	06.05-	*	*
33.350, 33.360 (D 2066 LF 07)		Diesel		10518	257	350	06.05-	*	*
33.350, 33.360 (D 2066 LF 13)		Diesel		10518	257	350	06.05-	*	*
33.350, 33.360 (D 2066 LF 33)		Diesel		10518	257	350	06.05-	*	*
33.350, 33.360 (D 2066 LF 38)		Diesel		10518	257	350	06.05-	*	*
35.350 (D 2066 LF 03)		Diesel		10518	257	350	07.06-	*	*
35.350 (D 2066 LF 13)		Diesel		10518	257	350	07.06-	*	*
35.350, 35.360 (D 2066 LF 03)		Diesel		10518	257	350	02.04-	*	*
35.350, 35.360 (D 2066 LF 13)		Diesel		10518	257	350	02.04-	*	*
35.350, 35.360 (D 2066 LF 33)		Diesel		10518	257	350	02.04-	*	*
35.350, 35.360 (D 2066 LF 38)		Diesel		10518	257	350	02.04-	*	*
37.350, 37.360 (D 2066 LF 03)		Diesel		10518	257	350	12.04-	*	*
37.350, 37.360 (D 2066 LF 13)		Diesel		10518	257	350	12.04-	*	*
37.350, 37.360 (D 2066 LF 33)		Diesel		10518	257	350	12.04-	*	*
37.350, 37.360 (D 2066 LF 38)		Diesel		10518	257	350	12.04-	*	*
41.350, 41.360 (D 2066 LF 03)		Diesel		10518	257	350	12.04-	*	*
41.350, 41.360 (D 2066 LF 07)		Diesel		10518	257	350	12.04-	*	*
41.350, 41.360 (D 2066 LF 13)		Diesel		10518	257	350	12.04-	*	*
41.350, 41.360 (D 2066 LF 33)		Diesel		10518	257	350	12.04-	*	*
41.350, 41.360 (D 2066 LF 38)		Diesel		10518	257	350	12.04-	*	*
28.360 (D 2066 LF 38)		Diesel		10518	265	360	07.06-	*	*
35.360 (D 2066 LF 38)		Diesel		10518	265	360	07.06-	*	*
18.390, 18.400 (D 2066 LF 02)		Diesel		10518	287	390	05.04-	*	*
18.390, 18.400 (D 2066 LF 12)		Diesel		10518	287	390	05.04-	*	*
18.390, 18.400 (D 2066 LF 32)		Diesel		10518	287	390	05.04-	*	*
18.390, 18.400 (D 2066 LF 37)		Diesel		10518	287	390	05.04-	*	*
18.390, 18.400 (D 2066 LF 02)		Diesel		10518	287	390	05.04-	*	*
18.390, 18.400 (D 2066 LF 12)		Diesel		10518	287	390	05.04-	*	*
18.390, 18.400 (D 2066 LF 32)		Diesel		10518	287	390	05.04-	*	*
18.390, 18.400 (D 2066 LF 37)		Diesel		10518	287	390	05.04-	*	*
26.390, 26.400 (D 2066 LF 02)		Diesel		10518	287	390	05.04-	*	*
26.390, 26.400 (D 2066 LF 12)		Diesel		10518	287	390	05.04-	*	*
26.390, 26.400 (D 2066 LF 32)		Diesel		10518	287	390	05.04-	*	*
26.390, 26.400 (D 2066 LF 37)		Diesel		10518	287	390	05.04-	*	*
28.390 (D 2066 LF 02)		Diesel		10518	287	390	07.06-	*	*
28.390 (D 2066 LF 12)		Diesel		10518	287	390	07.06-	*	*
33.390, 33.400 (D 2066 LF 02)		Diesel		10518	287	390	05.04-	*	*
33.390, 33.400 (D 2066 LF 06)		Diesel		10518	287	390	05.04-	*	*
33.390, 33.400 (D 2066 LF 12)		Diesel		10518	287	390	05.04-	*	*

LISTA DE APLICACIONES - BUYERS GUIDE

33.390, 33.400 (D 2066 LF 32)		Diesel		10518	287	390	05.04-	*	*
33.390, 33.400 (D 2066 LF 37)		Diesel		10518	287	390	05.04-	*	*
35.390 (D 2066 LF 02)		Diesel		10518	287	390	02.04-	*	*
35.390 (D 2066 LF 12)		Diesel		10518	287	390	02.04-	*	*
35.390 (D 2066 LF 02)		Diesel		10518	287	390	07.06-	*	*
35.390 (D 2066 LF 12)		Diesel		10518	287	390	07.06-	*	*
35.390, 35.400 (D 2066 LF 02)		Diesel		10518	287	390	02.04-	*	*
35.390, 35.400 (D 2066 LF 12)		Diesel		10518	287	390	02.04-	*	*
35.390, 35.400 (D 2066 LF 32)		Diesel		10518	287	390	02.04-	*	*
35.390, 35.400 (D 2066 LF 37)		Diesel		10518	287	390	02.04-	*	*
37.390, 37.400 (D 2066 LF 02)		Diesel		10518	287	390	12.04-	*	*
37.390, 37.400 (D 2066 LF 12)		Diesel		10518	287	390	12.04-	*	*
37.390, 37.400 (D 2066 LF 32)		Diesel		10518	287	390	12.04-	*	*
37.390, 37.400 (D 2066 LF 37)		Diesel		10518	287	390	12.04-	*	*
40.390, 40.400 (D 2066 LF 02)		Diesel		10518	287	390	06.05-	*	*
40.390, 40.400 (D 2066 LF 06)		Diesel		10518	287	390	06.05-	*	*
41.390 (D 2066 LF 02)		Diesel		10518	287	390	12.04-	*	*
41.390, 41.400 (D 2066 LF 02)		Diesel		10518	287	390	12.04-	*	*
41.390, 41.400 (D 2066 LF 06)		Diesel		10518	287	390	12.04-	*	*
41.390, 41.400 (D 2066 LF 12)		Diesel		10518	287	390	12.04-	*	*
41.390, 41.400 (D 2066 LF 32)		Diesel		10518	287	390	12.04-	*	*
41.390, 41.400 (D 2066 LF 37)		Diesel		10518	287	390	12.04-	*	*
28.400 (D 2066 LF 37)		Diesel		10518	294	400	07.06-	*	*
35.400 (D 2066 LF 37)		Diesel		10518	294	400	07.06-	*	*
35.400 (D 2066 LF 37)		Diesel		10518	294	400	02.04-	*	*
18.430, 18.440 (D 2066 LF 01)		Diesel		10518	316	430	05.04-	*	*
18.430, 18.440 (D 2066 LF 11)		Diesel		10518	316	430	05.04-	*	*
18.430, 18.440 (D 2066 LF 31)		Diesel		10518	316	430	05.04-	*	*
18.430, 18.440 (D 2066 LF 36)		Diesel		10518	316	430	05.04-	*	*
18.430, 18.440 (D 2066 LF 01)		Diesel		10518	316	430	05.04-	*	*
18.430, 18.440 (D 2066 LF 11)		Diesel		10518	316	430	05.04-	*	*
18.430, 18.440 (D 2066 LF 31)		Diesel		10518	316	430	05.04-	*	*
18.430, 18.440 (D 2066 LF 36)		Diesel		10518	316	430	05.04-	*	*
26.430, 26.440 (D 2066 LF 01)		Diesel		10518	316	430	05.04-	*	*
26.430, 26.440 (D 2066 LF 11)		Diesel		10518	316	430	05.04-	*	*
26.430, 26.440 (D 2066 LF 31)		Diesel		10518	316	430	05.04-	*	*
26.430, 26.440 (D 2066 LF 36)		Diesel		10518	316	430	05.04-	*	*
28.430 (D 2066 LF 01)		Diesel		10518	316	430	07.06-	*	*
28.430 (D 2066 LF 11)		Diesel		10518	316	430	07.06-	*	*
33.430, 33.440 (D 2066 LF 01)		Diesel		10518	316	430	05.04-	*	*
33.430, 33.440 (D 2066 LF 11)		Diesel		10518	316	430	05.04-	*	*
33.430, 33.440 (D 2066 LF 31)		Diesel		10518	316	430	05.04-	*	*
33.430, 33.440 (D 2066 LF 36)		Diesel		10518	316	430	05.04-	*	*
35.430 (D 2066 LF 01)		Diesel		10518	316	430	07.06-	*	*
35.430 (D 2066 LF 11)		Diesel		10518	316	430	07.06-	*	*
35.430 (D 2066 LF 01)		Diesel		10518	316	430	07.06-	*	*
35.430 (D 2066 LF 11)		Diesel		10518	316	430	07.06-	*	*
35.430, 35.440 (D 2066 LF 01)		Diesel		10518	316	430	02.04-	*	*
35.430, 35.440 (D 2066 LF 11)		Diesel		10518	316	430	02.04-	*	*
35.430, 35.440 (D 2066 LF 31)		Diesel		10518	316	430	02.04-	*	*
35.430, 35.440 (D 2066 LF 36)		Diesel		10518	316	430	02.04-	*	*

LISTA DE APLICACIONES - BUYERS GUIDE

37.430, 37.440 (D 2066 LF 01)	Diesel	10518	316	430	12.04-	*	*
37.430, 37.440 (D 2066 LF 11)	Diesel	10518	316	430	12.04-	*	*
37.430, 37.440 (D 2066 LF 31)	Diesel	10518	316	430	12.04-	*	*
37.430, 37.440 (D 2066 LF 36)	Diesel	10518	316	430	12.04-	*	*
40.430 (D 2066 LF 01)	Diesel	10518	316	430	06.05-	*	*
41.430 (D 2066 LF 01)	Diesel	10518	316	430	12.04-	*	*
41.430 (D 2066 LF 11)	Diesel	10518	316	430	12.04-	*	*
41.430 (D 2066 LF 11)	Diesel	10518	316	430	07.06-	*	*
41.430, 41.440 (D 2066 LF 01)	Diesel	10518	316	430	12.04-	*	*
41.430, 41.440 (D 2066 LF 11)	Diesel	10518	316	430	12.04-	*	*
41.430, 41.440 (D 2066 LF 31)	Diesel	10518	316	430	12.04-	*	*
41.430, 41.440 (D 2066 LF 36)	Diesel	10518	316	430	12.04-	*	*
28.440 (D 2066 LF 36)	Diesel	10518	324	440	01.04-10.08	*	*
35.440 (D 2066 LF 36)	Diesel	10518	324	440	07.06-	*	*
35.440	Diesel	10518	324	440	07.06-	*	*
41.440 (D 2066 LF 36)	Diesel	10518	324	440	07.06-	*	*
41.440 (D 2066 LF 36)	Diesel	10518	324	440	07.06-	*	*
18.310, 18.320 (D 2866 LF26)	Diesel	11967	228	310	12.00-	*	*
18.310, 18.320 (D 2866 LF36)	Diesel	11967	228	310	12.00-	*	*
26.310 (D 2866 LF26)	Diesel	11967	228	310	09.02-	*	*
32.310 (D 2866 LF26)	Diesel	11967	228	310	01.02-	*	*
35.310 (D 2866 LF26)	Diesel	11967	228	310	06.03-	*	*
37.310 (D 2866 LF26)	Diesel	11967	228	310	12.04-	*	*
18.360 (D 2866 LF27)	Diesel	11967	265	360	12.00-	*	*
18.360 (D 2866 LF37)	Diesel	11967	265	360	12.00-	*	*
26.360 (D 2866 LF27)	Diesel	11967	265	360	09.02-	*	*
26.360 (D 2866 LF37)	Diesel	11967	265	360	09.02-	*	*
28.360 (D 2866 LF27)	Diesel	11967	265	360	07.06-	*	*
32.360 (D 2866 LF27)	Diesel	11967	265	360	01.02-	*	*
33.360 (D 2866 LF27)	Diesel	11967	265	360	01.01-	*	*
33.360 (D 2866 LF37)	Diesel	11967	265	360	01.01-	*	*
33.360 (D 2866 LF27)	Diesel	11967	265	360	09.02-	*	*
33.360 (D 2866 LF37)	Diesel	11967	265	360	09.02-	*	*
35.360 (D 2866 LF27)	Diesel	11967	265	360	10.03-	*	*
37.360 (D 2866 LF27)	Diesel	11967	265	360	12.04-	*	*
41.360 (D 2866 LF37)	Diesel	11967	265	360	09.03-	*	*
18.410, 18.420 (D 2866 LF28)	Diesel	11967	301	410	12.00-	*	*
18.410, 18.420 (D 2866 LF32)	Diesel	11967	301	410	12.00-	*	*
26.410 (D 2866 LF28)	Diesel	11967	301	410	09.01-	*	*
26.410 (D 2866 LF32)	Diesel	11967	301	410	09.01-	*	*
26.410 (D 2866 LF28)	Diesel	11967	301	410	02.02-	*	*
28.410 (D 2866 LF28)	Diesel	11967	301	410	07.06-	*	*
32.410 (D 2866 LF28)	Diesel	11967	301	410	01.02-	*	*
33.410 (D 2866 LF28)	Diesel	11967	301	410	10.00-	*	*
33.410 (D 2866 LF32)	Diesel	11967	301	410	10.00-	*	*
33.410 (D 2866 LF28)	Diesel	11967	301	410	09.02-	*	*
33.410 (D 2866 LF32)	Diesel	11967	301	410	09.02-	*	*
35.410 (D 2866 LF28)	Diesel	11967	301	410	10.03-	*	*
35.410 (D 2866 LF28)	Diesel	11967	301	410	07.06-	*	*
35.410 (D 2866 LF28)	Diesel	11967	301	410	07.06-	*	*
37.410 (D 2866 LF28)	Diesel	11967	301	410	12.04-	*	*

LISTA DE APLICACIONES - BUYERS GUIDE

40.410 (D 2866 LF28)		Diesel		11967	301	410	04.04-	*	*
40.410 (D 2866 LF32)		Diesel		11967	301	410	04.04-	*	*
41.410 (D 2866 LF28)		Diesel		11967	301	410	09.03-	*	*
41.410 (D 2866 LF32)		Diesel		11967	301	410	09.03-	*	*
41.410 (D 2866 LF28)		Diesel		11967	301	410	07.06-	*	*
41.410 (D 2866 LF28)		Diesel		11967	301	410	07.06-	*	*
33.440 (D 2676 LF 04)		Diesel		12419	324	440	06.05-	*	*
40.440 (D 2676 LF 04)		Diesel		12419	324	440	06.05-	*	*
41.440 (D 2676 LF 04)		Diesel		12419	324	440	12.04-	*	*
18.480 (D 2676 LF 01)		Diesel		12419	353	480	01.06-	*	*
18.480 (D 2676 LF 05)		Diesel		12419	353	480	01.06-	*	*
26.480 (D 2676 LF 01)		Diesel		12419	353	480	02.06-	*	*
26.480 (D 2676 LF 05)		Diesel		12419	353	480	02.06-	*	*
28.480 (D 2676 LF 05)		Diesel		12419	353	480	07.06-	*	*
33.480 (D 2676 LF 01)		Diesel		12419	353	480	01.06-	*	*
33.480 (D 2676 LF 02)		Diesel		12419	353	480	01.06-	*	*
33.480 (D 2676 LF 03)		Diesel		12419	353	480	01.06-	*	*
33.480 (D 2676 LF 05)		Diesel		12419	353	480	01.06-	*	*
35.480 (D 2676 LF 01)		Diesel		12419	353	480	02.04-	*	*
35.480 (D 2676 LF 05)		Diesel		12419	353	480	02.04-	*	*
35.480 (D 2676 LF 02)		Diesel		12419	353	480	07.06-	*	*
35.480 (D 2676 LF 05)		Diesel		12419	353	480	07.06-	*	*
35.480 (D 2676 LF 05)		Diesel		12419	353	480	07.06-	*	*
37.480 (D 2676 LF 01)		Diesel		12419	353	480	02.06-	*	*
37.480 (D 2676 LF 05)		Diesel		12419	353	480	02.06-	*	*
40.480 (D 2676 LF 02)		Diesel		12419	353	480	06.05-	*	*
40.480 (D 2676 LF 03)		Diesel		12419	353	480	06.05-	*	*
41.480 (D 2676 LF 01)		Diesel		12419	353	480	02.06-	*	*
41.480 (D 2676 LF 02)		Diesel		12419	353	480	02.06-	*	*
41.480 (D 2676 LF 03)		Diesel		12419	353	480	02.06-	*	*
41.480 (D 2676 LF 05)		Diesel		12419	353	480	02.06-	*	*
41.480 (D 2676 LF 02)		Diesel		12419	353	480	07.06-	*	*
41.480 (D 2676 LF 05)		Diesel		12419	353	480	07.06-	*	*
41.480 (D 2676 LF 03)		Diesel		12419	353	480	12.08-	*	*
41.480 (D 2676 LF 05)		Diesel		12419	353	480	07.06-	*	*
18.460 (D 2876 LF 04)		Diesel		12816	338	460	12.00-	*	*
18.460 (D 2876 LF 07)		Diesel		12816	338	460	12.00-	*	*
26.460 (D 2876 LF 04)		Diesel		12816	338	460	01.01-	*	*
26.460 (D 2876 LF 07)		Diesel		12816	338	460	01.01-	*	*
32.460 (D 2876 LF 04)		Diesel		12816	338	460	01.02-	*	*
33.460 (D 2876 LF 04)		Diesel		12816	338	460	09.02-	*	*
33.460 (D 2876 LF 07)		Diesel		12816	338	460	09.02-	*	*
35.460 (D 2876 LF 04)		Diesel		12816	338	460	10.03-	*	*
37.460 (D 2876 LF 04)		Diesel		12816	338	460	12.04-	*	*
40.460 (D 2876 LF 07)		Diesel		12816	338	460	04.04-	*	*
41.460 (D 2876 LF 07)		Diesel		12816	338	460	09.03-	*	*
18.480 (D 2876 LF 12)		Diesel		12816	353	480	09.02-	*	*
26.480 (D 2876 LF 12)		Diesel		12816	353	480	09.02-	*	*
28.480 (D 2876 LF 12)		Diesel		12816	353	480	07.06-	*	*
32.480 (D 2876 LF 12)		Diesel		12816	353	480	09.02-	*	*
33.480 (D 2876 LF 12)		Diesel		12816	353	480	09.02-	*	*

LISTA DE APLICACIONES - BUYERS GUIDE

33.480 (D 2876 LF 25)		Diesel		12816	353	480	09.02-	*	*
33.480 (D 2876 LF 12)		Diesel		12816	353	480	09.02-	*	*
33.480 (D 2876 LF 25)		Diesel		12816	353	480	09.02-	*	*
35.480 (D 2876 LF 12)		Diesel		12816	353	480	10.03-	*	*
35.480 (D 2876 LF 12)		Diesel		12816	353	480	07.06-	*	*
35.480 (D 2876 LF 12)		Diesel		12816	353	480	07.06-	*	*
37.480 (D 2876 LF 12)		Diesel		12816	353	480	12.04-	*	*
40.480 (D 2876 LF 12)		Diesel		12816	353	480	04.04-	*	*
40.480 (D 2876 LF 25)		Diesel		12816	353	480	04.04-	*	*
41.480 (D 2876 LF 12)		Diesel		12816	353	480	06.05-	*	*
41.480 (D 2876 LF 25)		Diesel		12816	353	480	06.05-	*	*
41.480 (D 2876 LF 12)		Diesel		12816	353	480	07.06-	*	*
41.480 (D 2876 LF 12)		Diesel		12816	353	480	07.06-	*	*
41.480 (D 2876 LF 12)		Diesel		12816	353	480	07.06-	*	*
41.530 (D 2876 LF 12)		Diesel		12816	353	480	07.06-	*	*
26.530 (D 2876 LF 13)		Diesel		12816	390	530	09.02-	*	*
28.530 (D 2876 LF 13)		Diesel		12816	390	530	07.06-	*	*
33.530 (D 2876 LF 13)		Diesel		12816	390	530	09.02-	*	*
33.530 (D 2876 LF 13)		Diesel		12816	390	530	07.03-	*	*
35.530 (D 2876 LF 13)		Diesel		12816	390	530	04.04-	*	*
35.530 (D 2876 LF 13)		Diesel		12816	390	530	07.06-	*	*
35.530 (D 2876 LF 13)		Diesel		12816	390	530	07.06-	*	*
37.530 (D 2876 LF 13)		Diesel		12816	390	530	12.04-	*	*
41.530 (D 2876 LF 13)		Diesel		12816	390	530	07.06-	*	*
41.530 (D 2876 LF 13)		Diesel		12816	390	530	07.06-	*	*
41.530 (D 2876 LF 13)		Diesel		12816	390	530	12.04-	*	*
TGA 03.00-							Hormigonera		
26.310, 26.320 (D 2066 LF 04)		Diesel		10518	228	310	06.05-	*	*
26.310, 26.320 (D 2066 LF 14)		Diesel		10518	228	310	06.05-	*	*
26.310, 26.320 (D 2066 LF 35)		Diesel		10518	228	310	06.05-	*	*
26.310, 26.320 (D 2066 LF 39)		Diesel		10518	228	310	06.05-	*	*
35.310, 35.320 (D 2066 LF 04)		Diesel		10518	228	310	02.04-	*	*
35.310, 35.320 (D 2066 LF 35)		Diesel		10518	228	310	02.04-	*	*
35.310, 35.320 (D 2066 LF 39)		Diesel		10518	228	310	02.04-	*	*
37.310, 37.320 (D 2066 LF 04)		Diesel		10518	228	310	12.04-	*	*
37.310, 37.320 (D 2066 LF 35)		Diesel		10518	228	310	12.04-	*	*
37.310, 37.320 (D 2066 LF 39)		Diesel		10518	228	310	12.04-	*	*
26.350, 26.360 (D 2066 LF 03)		Diesel		10518	257	350	02.04-	*	*
26.350, 26.360 (D 2066 LF 13)		Diesel		10518	257	350	02.04-	*	*
26.350, 26.360 (D 2066 LF 33)		Diesel		10518	257	350	02.04-	*	*
26.350, 26.360 (D 2066 LF 38)		Diesel		10518	257	350	02.04-	*	*
32.350, 32.360 (D 2066 LF 03)		Diesel		10518	257	350	02.04-	*	*
32.350, 32.360 (D 2066 LF 13)		Diesel		10518	257	350	02.04-	*	*
32.350, 32.360 (D 2066 LF 33)		Diesel		10518	257	350	02.04-	*	*
32.350, 32.360 (D 2066 LF 38)		Diesel		10518	257	350	02.04-	*	*
33.350 (D 2066 LF 03)		Diesel		10518	257	350	09.07-	*	*
35.350 (D 2066 LF 03)		Diesel		10518	257	350	07.06-	*	*
35.350 (D 2066 LF 13)		Diesel		10518	257	350	07.06-	*	*
35.350, 35.360 (D 2066 LF 03)		Diesel		10518	257	350	02.04-	*	*
35.350, 35.360 (D 2066 LF 13)		Diesel		10518	257	350	02.04-	*	*
35.350, 35.360 (D 2066 LF 33)		Diesel		10518	257	350	02.04-	*	*

LISTA DE APLICACIONES - BUYERS GUIDE

35.350, 35.360 (D 2066 LF 38)		Diesel		10518	257	350	02.04-	*	*
37.350, 37.360 (D 2066 LF 03)		Diesel		10518	257	350	12.04-	*	*
37.350, 37.360 (D 2066 LF 13)		Diesel		10518	257	350	12.04-	*	*
37.350, 37.360 (D 2066 LF 33)		Diesel		10518	257	350	12.04-	*	*
37.350, 37.360 (D 2066 LF 38)		Diesel		10518	257	350	12.04-	*	*
41.350 (D 2066 LF 03)		Diesel		10518	257	350	09.07-	*	*
41.350, 41.360 (D 2066 LF 03)		Diesel		10518	257	350	12.04-	*	*
41.350, 41.360 (D 2066 LF 07)		Diesel		10518	257	350	12.04-	*	*
41.350, 41.360 (D 2066 LF 13)		Diesel		10518	257	350	12.04-	*	*
41.350, 41.360 (D 2066 LF 33)		Diesel		10518	257	350	12.04-	*	*
41.350, 41.360 (D 2066 LF 38)		Diesel		10518	257	350	12.04-	*	*
33.360 (D 2066 LF 07)		Diesel		10518	265	360	09.07-	*	*
35.360 (D 2066 LF 38)		Diesel		10518	265	360	07.06-	*	*
41.360 (D 2066 LF 07)		Diesel		10518	265	360	09.07-	*	*
26.390, 26.400 (D 2066 LF 02)		Diesel		10518	287	390	05.04-	*	*
26.390, 26.400 (D 2066 LF 12)		Diesel		10518	287	390	05.04-	*	*
26.390, 26.400 (D 2066 LF 32)		Diesel		10518	287	390	05.04-	*	*
26.390, 26.400 (D 2066 LF 37)		Diesel		10518	287	390	05.04-	*	*
32.390, 32.400 (D 2066 LF 02)		Diesel		10518	287	390	05.04-	*	*
32.390, 32.400 (D 2066 LF 12)		Diesel		10518	287	390	05.04-	*	*
32.390, 32.400 (D 2066 LF 32)		Diesel		10518	287	390	05.04-	*	*
32.390, 32.400 (D 2066 LF 37)		Diesel		10518	287	390	05.04-	*	*
33.390, 33.400 (D 2066 LF 02)		Diesel		10518	287	390	09.07-	*	*
33.390, 33.400 (D 2066 LF 06)		Diesel		10518	287	390	09.07-	*	*
35.390 (D 2066 LF 02)		Diesel		10518	287	390	07.06-	*	*
35.390 (D 2066 LF 12)		Diesel		10518	287	390	07.06-	*	*
35.390, 35.400 (D 2066 LF 02)		Diesel		10518	287	390	02.04-	*	*
35.390, 35.400 (D 2066 LF 12)		Diesel		10518	287	390	02.04-	*	*
35.390, 35.400 (D 2066 LF 32)		Diesel		10518	287	390	02.04-	*	*
35.390, 35.400 (D 2066 LF 37)		Diesel		10518	287	390	02.04-	*	*
37.390, 37.400 (D 2066 LF 02)		Diesel		10518	287	390	12.04-	*	*
37.390, 37.400 (D 2066 LF 12)		Diesel		10518	287	390	12.04-	*	*
37.390, 37.400 (D 2066 LF 32)		Diesel		10518	287	390	12.04-	*	*
37.390, 37.400 (D 2066 LF 37)		Diesel		10518	287	390	12.04-	*	*
41.390 (D 2066 LF 02)		Diesel		10518	287	390	09.07-	*	*
41.390, 41.400 (D 2066 LF 02)		Diesel		10518	287	390	12.04-	*	*
41.390, 41.400 (D 2066 LF 06)		Diesel		10518	287	390	12.04-	*	*
41.390, 41.400 (D 2066 LF 12)		Diesel		10518	287	390	12.04-	*	*
41.390, 41.400 (D 2066 LF 32)		Diesel		10518	287	390	12.04-	*	*
41.390, 41.400 (D 2066 LF 37)		Diesel		10518	287	390	12.04-	*	*
35.400 (D 2066 LF 37)		Diesel		10518	294	400	07.06-	*	*
41.400 (D 2066 LF 06)		Diesel		10518	294	400	09.07-	*	*
26.430, 26.440 (D 2066 LF 01)		Diesel		10518	316	430	05.04-	*	*
26.430, 26.440 (D 2066 LF 11)		Diesel		10518	316	430	05.04-	*	*
26.430, 26.440 (D 2066 LF 31)		Diesel		10518	316	430	05.04-	*	*
26.430, 26.440 (D 2066 LF 36)		Diesel		10518	316	430	05.04-	*	*
32.430, 32.440 (D 2066 LF 01)		Diesel		10518	316	430	05.04-	*	*
32.430, 32.440 (D 2066 LF 11)		Diesel		10518	316	430	05.04-	*	*
32.430, 32.440 (D 2066 LF 31)		Diesel		10518	316	430	05.04-	*	*
32.430, 32.440 (D 2066 LF 36)		Diesel		10518	316	430	05.04-	*	*
33.430 (D 2066 LF 01)		Diesel		10518	316	430	09.07-	*	*

LISTA DE APLICACIONES - BUYERS GUIDE

35.430 (D 2066 LF 01)		Diesel		10518	316	430	07.06-	*	*
35.430 (D 2066 LF 11)		Diesel		10518	316	430	07.06-	*	*
35.430, 35.440 (D 2066 LF 01)		Diesel		10518	316	430	02.04-	*	*
35.430, 35.440 (D 2066 LF 11)		Diesel		10518	316	430	02.04-	*	*
35.430, 35.440 (D 2066 LF 31)		Diesel		10518	316	430	02.04-	*	*
35.430, 35.440 (D 2066 LF 36)		Diesel		10518	316	430	02.04-	*	*
37.430, 37.440 (D 2066 LF 01)		Diesel		10518	316	430	12.04-	*	*
37.430, 37.440 (D 2066 LF 11)		Diesel		10518	316	430	12.04-	*	*
37.430, 37.440 (D 2066 LF 31)		Diesel		10518	316	430	12.04-	*	*
37.430, 37.440 (D 2066 LF 36)		Diesel		10518	316	430	12.04-	*	*
41.430 (D 2066 LF 01)		Diesel		10518	316	430	09.07-	*	*
41.430, 41.440 (D 2066 LF 01)		Diesel		10518	316	430	12.04-	*	*
41.430, 41.440 (D 2066 LF 11)		Diesel		10518	316	430	12.04-	*	*
41.430, 41.440 (D 2066 LF 31)		Diesel		10518	316	430	12.04-	*	*
41.430, 41.440 (D 2066 LF 36)		Diesel		10518	316	430	12.04-	*	*
35.440 (D 2066 LF 36)		Diesel		10518	324	440	07.06-	*	*
26.310 (D 2866 LF26)		Diesel		11967	228	310	10.00-	*	*
32.310 (D 2866 LF26)		Diesel		11967	228	310	01.02-	*	*
35.310 (D 2866 LF26)		Diesel		11967	228	310	11.03-	*	*
37.310 (D 2866 LF26)		Diesel		11967	228	310	12.04-	*	*
26.360 (D 2866 LF27)		Diesel		11967	265	360	01.01-	*	*
32.360 (D 2866 LF27)		Diesel		11967	265	360	01.02-	*	*
33.360 (D 2866 LF27)		Diesel		11967	265	360	01.01-	*	*
35.360 (D 2866 LF27)		Diesel		11967	265	360	11.03-	*	*
37.360 (D 2866 LF27)		Diesel		11967	265	360	12.04-	*	*
41.360 (D 2866 LF27)		Diesel		11967	265	360	12.04-	*	*
26.410 (D 2866 LF28)		Diesel		11967	301	410	01.01-	*	*
32.410 (D 2866 LF28)		Diesel		11967	301	410	01.02-	*	*
33.410 (D 2866 LF28)		Diesel		11967	301	410	10.00-	*	*
35.410 (D 2866 LF28)		Diesel		11967	301	410	11.03-	*	*
37.410 (D 2866 LF28)		Diesel		11967	301	410	12.04-	*	*
41.410 (D 2866 LF28)		Diesel		11967	301	410	12.04-	*	*
33.440 (D 2676 LF 04)		Diesel		12419	324	440	09.07-	*	*
41.440 (D 2676 LF 04)		Diesel		12419	324	440	12.04-	*	*
41.440 (D 2676 LF 04)		Diesel		12419	324	440	09.07-	*	*
26.480 (D 2676 LF 01)		Diesel		12419	353	480	02.06-	*	*
26.480 (D 2676 LF 05)		Diesel		12419	353	480	02.06-	*	*
32.480 (D 2676 LF 01)		Diesel		12419	353	480	02.06-	*	*
32.480 (D 2676 LF 05)		Diesel		12419	353	480	02.06-	*	*
33.480 (D 2676 LF 02)		Diesel		12419	353	480	09.07-	*	*
33.480 (D 2676 LF 03)		Diesel		12419	353	480	09.07-	*	*
35.480 (D 2676 LF 01)		Diesel		12419	353	480	02.04-	*	*
35.480 (D 2676 LF 05)		Diesel		12419	353	480	02.04-	*	*
35.480 (D 2676 LF 05)		Diesel		12419	353	480	07.06-	*	*
37.480 (D 2676 LF 01)		Diesel		12419	353	480	02.06-	*	*
37.480 (D 2676 LF 05)		Diesel		12419	353	480	02.06-	*	*
41.480 (D 2676 LF 01)		Diesel		12419	353	480	02.06-	*	*
41.480 (D 2676 LF 03)		Diesel		12419	353	480	02.06-	*	*
41.480 (D 2676 LF 05)		Diesel		12419	353	480	02.06-	*	*
41.480 (D 2676 LF 02)		Diesel		12419	353	480	09.07-	*	*
41.480 (D 2676 LF 03)		Diesel		12419	353	480	09.07-	*	*

LISTA DE APLICACIONES - BUYERS GUIDE

26.460 (D 2876 LF 04)		Diesel		12816	338	460	01.01-	*	*
26.460 (D 2876 LF 07)		Diesel		12816	338	460	01.01-	*	*
32.460 (D 2876 LF 04)		Diesel		12816	338	460	01.02-	*	*
33.460 (D 2876 LF 04)		Diesel		12816	338	460	09.02-	*	*
35.460 (D 2876 LF 04)		Diesel		12816	338	460	11.03-	*	*
37.460 (D 2876 LF 04)		Diesel		12816	338	460	12.04-	*	*
41.460 (D 2876 LF 04)		Diesel		12816	338	460	12.04-	*	*
26.480 (D 2876 LF 12)		Diesel		12816	353	480	09.02-	*	*
26.480 (D 2876 LF 25)		Diesel		12816	353	480	09.02-	*	*
32.480 (D 2876 LF 12)		Diesel		12816	353	480	09.02-	*	*
33.480 (D 2876 LF 12)		Diesel		12816	353	480	09.02-	*	*
35.480 (D 2876 LF 12)		Diesel		12816	353	480	11.03-	*	*
37.480 (D 2876 LF 12)		Diesel		12816	353	480	12.04-	*	*
41.480 (D 2876 LF 12)		Diesel		12816	353	480	12.04-	*	*
35.530 (D 2876 LF 13)		Diesel		12816	390	530	04.04-	*	*
37.530 (D 2876 LF 13)		Diesel		12816	390	530	12.04-	*	*
41.530 (D 2876 LF 13)		Diesel		12816	390	530	12.04-	*	*
TGA 03.00-							Veh. Municipal		
26.310, 26.320 (D 2066 LF 04)		Diesel		10518	228	310	06.05-	*	*
26.310, 26.320 (D 2066 LF 35)		Diesel		10518	228	310	06.05-	*	*
26.310, 26.320 (D 2066 LF 39)		Diesel		10518	228	310	06.05-	*	*
26.310, 26.320 (D 2066 LF 04)		Diesel		10518	228	310	02.04-	*	*
26.310, 26.320 (D 2066 LF 14)		Diesel		10518	228	310	02.04-	*	*
26.310, 26.320 (D 2066 LF 35)		Diesel		10518	228	310	02.04-	*	*
26.310, 26.320 (D 2066 LF 39)		Diesel		10518	228	310	02.04-	*	*
26.350, 26.360 (D 2066 LF 03)		Diesel		10518	257	350	06.05-	*	*
26.350, 26.360 (D 2066 LF 13)		Diesel		10518	257	350	06.05-	*	*
26.350, 26.360 (D 2066 LF 33)		Diesel		10518	257	350	06.05-	*	*
26.350, 26.360 (D 2066 LF 38)		Diesel		10518	257	350	06.05-	*	*
26.350, 26.360 (D 2066 LF 03)		Diesel		10518	257	350	01.04-	*	*
26.350, 26.360 (D 2066 LF 13)		Diesel		10518	257	350	01.04-	*	*
26.350, 26.360 (D 2066 LF 33)		Diesel		10518	257	350	01.04-	*	*
26.350, 26.360 (D 2066 LF 38)		Diesel		10518	257	350	01.04-	*	*
26.390, 26.400 (D 2066 LF 02)		Diesel		10518	287	390	06.05-	*	*
26.390, 26.400 (D 2066 LF 12)		Diesel		10518	287	390	06.05-	*	*
26.390, 26.400 (D 2066 LF 32)		Diesel		10518	287	390	06.05-	*	*
26.390, 26.400 (D 2066 LF 37)		Diesel		10518	287	390	06.05-	*	*
26.390, 26.400 (D 2066 LF 02)		Diesel		10518	287	390	02.04-	*	*
26.390, 26.400 (D 2066 LF 12)		Diesel		10518	287	390	02.04-	*	*
26.390, 26.400 (D 2066 LF 32)		Diesel		10518	287	390	02.04-	*	*
26.390, 26.400 (D 2066 LF 37)		Diesel		10518	287	390	02.04-	*	*
26.430 (D 2066 LF 01)		Diesel		10518	316	430	12.00-	*	*
26.430 (D 2066 LF 11)		Diesel		10518	316	430	12.00-	*	*
26.430, 26.440		Diesel		10518	316	430	06.05-	*	*
26.440 (D 2066 LF 36)		Diesel		10518	324	440	09.05-	*	*
26.310 (D 2866 LF26)		Diesel		11967	228	310	12.00-	*	*
26.310 (D 2866 LF36)		Diesel		11967	228	310	12.00-	*	*
26.360 (D 2866 LF27)		Diesel		11967	265	360	12.00-	*	*
26.360 (D 2866 LF37)		Diesel		11967	265	360	12.00-	*	*
26.410 (D 2866 LF28)		Diesel		11967	301	410	12.00-	*	*
26.410 (D 2866 LF32)		Diesel		11967	301	410	12.00-	*	*

LISTA DE APLICACIONES - BUYERS GUIDE

26.480 (D 2676 LF 01)		Diesel		12419	353	480	02.06-	*	*
26.480 (D 2676 LF 05)		Diesel		12419	353	480	02.06-	*	*
26.480 (D 2676 LF 05)		Diesel		12419	353	480	01.06-	*	*
26.460 (D 2876 LF 04)		Diesel		12816	338	460	12.00-	*	*
26.460 (D 2876 LF 07)		Diesel		12816	338	460	12.00-	*	*
26.480 (D 2876 LF 12)		Diesel		12816	353	480	09.02-	*	*

TGL 01.04- **Caja/Chasis**

7.160		Diesel		4580	118	160	12.17-03.22	*	*
8.160		Diesel		4580	118	160	12.17-03.22	*	*
8.160		Diesel		4580	118	160	01.18-03.22	*	*
10.190		Diesel		4580	140	190	12.17-03.22	*	*
12.190		Diesel		4580	140	190	12.17-03.22	*	*
7.190		Diesel		4580	140	190	12.17-03.22	*	*
8.190		Diesel		4580	140	190	12.17-03.22	*	*
8.190		Diesel		4580	140	190	01.18-03.22	*	*

TGL 01.04- **Camión volquete**

7.150		Diesel		4580	110	150	01.04-03.22	*	*
8.160		Diesel		4580	118	160	01.18-03.22	*	*
7.180		Diesel		4580	132	179	01.04-03.22	*	*
10.190		Diesel		4580	140	190	12.17-03.22	*	*
12.190		Diesel		4580	140	190	12.17-03.22	*	*
7.190		Diesel		4580	140	190	01.18-03.22	*	*
8.190		Diesel		4580	140	190	01.18-03.22	*	*

TGL 01.04- **Veh. Municipal**

10.180		Diesel		4580	132	179	08.12-03.22	*	*
12.180		Diesel		4580	132	179	08.12-03.22	*	*
7.180		Diesel		4580	132	179	08.12-03.22	*	*
8.180		Diesel		4580	132	179	08.12-03.22	*	*
10.220		Diesel		4580	162	220	08.12-03.22	*	*
12.220		Diesel		4580	162	220	08.12-03.22	*	*
8.220		Diesel		4580	162	220	08.12-03.22	*	*
10.250		Diesel		6871	184	250	04.08-03.22	*	*
12.250		Diesel		6871	184	250	04.08-03.22	*	*
8.250		Diesel		6871	184	250	04.08-03.22	*	*

TGM 05.05- **Caja/Chasis**

18.240 (D 0836 LFL 40)		Diesel		6871	176	240	10.05-03.22	*	*
18.240 (D 0836 LFL 53)		Diesel		6871	176	240	10.05-03.22	*	*
18.280 (D 0836 LFL 41)		Diesel		6871	206	280	10.05-03.22	*	*
18.280 (D 0836 LFL 54)		Diesel		6871	206	280	10.05-03.22	*	*
18.330 (D 0836 LFL 44)		Diesel		6871	240	326	10.05-03.22	*	*
18.330 (D 0836 LFL 55)		Diesel		6871	240	326	10.05-03.22	*	*

TGS 01.05- **Cabeza tractora**

26.320 (D 2066 LF 39)		Diesel		10518	235	320	07.08-09.21	*	*
26.320 (D 2066 LF 43)		Diesel		10518	235	320	07.08-09.21	*	*

MERITOR

LMC **Eje remolque**

LMC							01.53-	*
-----	--	--	--	--	--	--	--------	---

TA **Eje remolque**

TA							01.53-	*
----	--	--	--	--	--	--	--------	---

LISTA DE APLICACIONES - BUYERS GUIDE

TAC					Eje remolque						
TAC							01.53-	*			
TM					Eje remolque						
TM							01.53-	*			
TM							01.53-	*			
RENAULT TRUCKS											
04.96-03.05					Cabeza tractora						
E.TECH 400.18T (MACK E.TECH A/46)					Diesel		11929	295	401	05.00-	* *
E.TECH 440.18T (MACK E.TECH B/46)					Diesel		11929	324	441	05.00-	* *
E.TECH 440.26T (MACK E.TECH B/46)					Diesel		11929	324	441	05.00-	* *
E.TECH 440.26T (MACK E.TECH B/46)					Diesel		11929	324	441	05.00-	* *
E.TECH 480.18T (MACK E.TECH C/46)					Diesel		11929	347	472	05.00-	* *
E.TECH 480.26T (MACK E.TECH C/46)					Diesel		11929	347	472	05.00-	* *
E.TECH 480.26T (MACK E.TECH C/46)					Diesel		11929	347	472	05.00-	* *
AE 560.18T (MACK-EE9-560)					Diesel		16361	412	560	04.96-	*
AE 560.19T (MACK-EE9-560)					Diesel		16361	412	560	04.96-	*
AE 560.26T (MACK-EE9-560)					Diesel		16361	412	560	01.97-	*
AE 560.26T (MACK-EE9-560)					Diesel		16361	412	560	01.98-	*
04.96-03.05					Caja/Chasis						
E.TECH 400.18 (MACK E.TECH A/46)					Diesel		11929	295	401	05.00-	* *
E.TECH 400.24 (MACK E.TECH A/46)					Diesel		11929	295	401	05.00-	* *
E.TECH 400.26 (MACK E.TECH A/46)					Diesel		11929	295	401	05.00-	* *
E.TECH 440.18 (MACK E.TECH B/46)					Diesel		11929	324	441	05.00-	* *
E.TECH 440.24 (MACK E.TECH B/46)					Diesel		11929	324	441	05.00-	* *
E.TECH 440.26 (MACK E.TECH B/46)					Diesel		11929	324	441	05.00-	* *
E.TECH 480.18 (MACK E.TECH C/46)					Diesel		11929	347	472	05.00-	* *
E.TECH 480.24 (MACK E.TECH C/46)					Diesel		11929	347	472	05.00-	* *
E.TECH 480.26 (MACK E.TECH C/46)					Diesel		11929	347	472	05.00-	* *
Agora 01.96-					Bus						
Agora (MIDR 06.20.45 I41)					Diesel		9840	186	253	01.96-	* *
Agora (MIDR 06.20.45 I41)					Diesel		9840	186	253	01.96-	* *
Iliade 01.97-					Bus						
TE, RTC					Diesel			222	302	01.97-	* *
RT, RTX, GTC					Diesel			250	340	01.97-	* *
GTX					Diesel			280	381	01.97-	* *
GT, GTC, GTE (MIDR 06.20.45 M41)					Diesel		9839	250	340	04.98-	* *
FRH, GTX, GTXE, RTX, TX (MIDR 06.23.56 A/41)					Diesel		11123	280	381	01.97-	* *
Magnum 01.90-04.99					Cabeza tractora						
AE 390.18T (MIDR 06.24.65 A/42)					Diesel		11929	287	390	09.96-	*
AE 390.19T (MIDR 06.24.65 A/42)					Diesel		11929	287	390	09.96-	*
AE 430.18T (MIDR 06.24.65 B/42)					Diesel		11929	316	430	09.96-	*
AE 430.19T (MIDR 06.24.65 B/42)					Diesel		11929	316	430	09.96-	*
AE 430.26T (MIDR 06.24.65 B/42)					Diesel		11929	316	430	01.98-	*
AE 430.26T (MIDR 06.24.65 B/42)					Diesel		11929	316	430	01.97-	*
AE 470.18T (MIDR 06.24.65 C/42)					Diesel		11929	346	471	11.96-	*
AE 470.19T (MIDR 06.24.65 C/42)					Diesel		11929	346	471	11.96-	*
AE 470.26T (MIDR 06.24.65 C/42)					Diesel		11929	346	471	01.98-	*

LISTA DE APLICACIONES - BUYERS GUIDE

Magnum 01.90-04.99						Caja/Chasis			
AE 390.18 (MIDR 06.24.65 A/42)		Diesel		11929	287	390	09.96-	*	
AE 390.19 (MIDR 06.24.65 A/42)		Diesel		11929	287	390	09.96-	*	
AE 390.26 (MIDR 06.24.65 A/42)		Diesel		11929	287	390	09.96-	*	
AE 430.18 (MIDR 06.24.65 B/42)		Diesel		11929	316	430	09.96-	*	
AE 430.19 (MIDR 06.24.65 B/42)		Diesel		11929	316	430	09.96-	*	
AE 430.26 (MIDR 06.24.65 B/42)		Diesel		11929	316	430	09.96-	*	
AE 470.18 (MIDR 06.24.65 C/42)		Diesel		11929	346	471	11.96-	*	
AE 470.19 (MIDR 06.24.65 C/42)		Diesel		11929	346	471	11.96-	*	
AE 470.26 (MIDR 06.24.65 C/42)		Diesel		11929	346	471	01.97-	*	
AE 480		Diesel		11995	347	472	01.90-	*	*
AE 520.26 (MACK-EE9-530)		Diesel		16361	390	530	10.92-	*	
AE 560.18 (MACK-EE9-560)		Diesel		16361	412	560	04.96-	*	
AE 560.19 (MACK-EE9-560)		Diesel		16361	412	560	04.96-	*	
AE 560.26 (MACK-EE9-560)		Diesel		16361	412	560	04.96-	*	
Premium 04.96-						Cabeza tractora			
Distribution 300.16T (MIDR 06.20.45 D/41)		Diesel		9839	219	298	04.96-	*	*
Distribution 300.18D/T (MIDR 06.20.45 D/41)		Diesel		9839	219	298	04.96-	*	
Distribution 300.19D/T (MIDR 06.20.45 D/41)		Diesel		9839	219	298	04.96-	*	*
Route 300.18T (MIDR 06.20.45 D/41)		Diesel		9839	219	298	09.96-	*	*
Route 300.19T (MIDR 06.20.45 D/41)		Diesel		9839	219	298	09.96-	*	*
Distribution 340.18D/T (MIDR 06.20.45 E/41)		Diesel		9839	249	339	04.96-	*	
Distribution 340.19D/T (MIDR 06.20.45 E/41)		Diesel		9839	249	339	04.96-	*	*
Route 340.18T (MIDR 06.20.45 E/41)		Diesel		9839	249	339	04.96-	*	*
Route 340.19T (MIDR 06.20.45 E/41)		Diesel		9839	249	339	04.96-	*	*
Distribution 320.18 (DCI 11G)		Diesel		11123	230	313	08.00-	*	
Route 320.18 (DCI 11G)		Diesel		11123	230	313	08.00-	*	*
Distribution 320.19		Diesel		11123	232	315	10.00-12.06	*	
Route 320.19		Diesel		11123	232	315	10.00-12.06	*	*
Distribution 370.18 (DCI 11E)		Diesel		11123	266	362	08.00-	*	
Distribution 370.19		Diesel		11123	266	362	10.00-12.06	*	
Route 370.18 (DCI 11E)		Diesel		11123	266	362	08.00-	*	*
Route 370.19		Diesel		11123	266	362	10.00-12.06	*	*
Route 370.24		Diesel		11123	266	362	05.01-09.06	*	*
Route 370.24		Diesel		11123	266	362	06.01-12.06	*	*
Route 385.18T,400.18T (MIDR 06.23.56 A/41)		Diesel		11123	280	381	04.96-	*	*
Route 385.18T,400.18T (MIDR 06.23.56 B/41)		Diesel		11123	280	381	04.96-	*	*
Route 385.19T,400.19T (MIDR 06.23.56 A/41)		Diesel		11123	280	381	04.96-	*	*
Route 385.19T,400.19T (MIDR 06.23.56 B/41)		Diesel		11123	280	381	04.96-	*	*
Route 385.24T,400.24T (MIDR 06.23.56 A/41)		Diesel		11123	280	381	09.96-	*	*
Route 385.24T,400.24T (MIDR 06.23.56 B/41)		Diesel		11123	280	381	09.96-	*	*
Distribution 400.18D/T (MIDR 06.23.56 B/41)		Diesel		11123	288	392	01.00-	*	
Distribution 420.18 (DCI 11C)		Diesel		11123	303	412	08.00-	*	
Route 420.18T (DCI 11 B/43)		Diesel		11123	303	412	08.00-	*	*
Route 420.18T (DCI 11C)		Diesel		11123	303	412	08.00-	*	*
Route 420.24 (DCI 11C)		Diesel		11123	303	412	08.00-	*	*
Route 420.25 (DCI 11C)		Diesel		11123	303	412	08.00-	*	*
Route 420.19		Diesel		11123	305	415	10.00-12.06	*	*
Premium 04.96-						Caja/Chasis			
Distribution 210.16 (MIDR 06.02.26 W/4)		Diesel		6177	154	209	04.96-	*	*

LISTA DE APLICACIONES - BUYERS GUIDE

Distribution 210.18D, 220.18 (DCI 6W)	Diesel	6177	154	209	04.96-	*	
Distribution 210.18D, 220.18 (MIDR 06.02.26 W/4)	Diesel	6177	154	209	04.96-	*	
Distribution 210.19D	Diesel	6177	155	210	04.96-	*	*
Distribution 250.16 (MIDR 06.02.26 Y/41)	Diesel	6177	184	250	04.96-	*	*
Distribution 250.18D (MIDR 06.02.26 Y/41)	Diesel	6177	184	250	04.96-	*	
Distribution 250.19 (MIDR 06.02.26 Y/41)	Diesel	6177	184	250	04.96-	*	*
Distribution 270.18 (DCI 6A)	Diesel	6177	195	265	08.00-	*	
Distribution 260.16 (MIDR 06.20.45 C/4)	Diesel	9839	188	256	04.96-	*	*
Distribution 260.18 (MIDR 06.20.45 C/4)	Diesel	9839	188	256	04.96-	*	*
Distribution 260.19 (MIDR 06.20.45 C/4)	Diesel	9839	188	256	04.96-	*	*
Distribution 300.16D (MIDR 06.20.45 D/41)	Diesel	9839	219	298	04.96-	*	*
Distribution 300.18D (MIDR 06.20.45 D/41)	Diesel	9839	219	298	04.96-	*	
Distribution 300.19 (MIDR 06.20.45 D/41)	Diesel	9839	219	298	04.96-	*	*
Distribution 300.26D (MIDR 06.20.45 D/41)	Diesel	9839	219	298	04.96-	*	
Distribution 300.26D	Diesel	9839	219	298	04.96-	*	*
Route 300.16 (MIDR 06.20.45 D/41)	Diesel	9839	219	298	09.96-	*	*
Route 300.18 (MIDR 06.20.45 D/41)	Diesel	9839	219	298	09.96-	*	*
Route 300.19 (MIDR 06.20.45 D/41)	Diesel	9839	219	298	09.96-	*	*
Distribution 340.18D (MIDR 06.20.45 E/41)	Diesel	9839	249	339	04.96-	*	
Distribution 340.19D (MIDR 06.20.45 E/41)	Diesel	9839	249	339	04.96-	*	*
Distribution 340.26D (MIDR 06.20.45 E/41)	Diesel	9839	249	339	04.96-	*	
Distribution 340.26D	Diesel	9839	249	339	04.96-	*	*
Route 340.18 (MIDR 06.20.45 E/41)	Diesel	9839	249	339	04.96-	*	*
Route 340.19 (MIDR 06.20.45 E/41)	Diesel	9839	249	339	04.96-	*	*
Route 340.24 (MIDR 06.20.45 E/41)	Diesel	9839	249	339	04.96-	*	*
Route 340.26 (MIDR 06.20.45 E/41)	Diesel	9839	249	339	04.96-	*	*
Distribution 400.18D (MIDR 06.23.56 B/41)	Diesel	11100	288	392	01.00-	*	
Distribution 320.18 D (DCI 11G)	Diesel	11123	230	313	08.00-	*	
Distribution 320.24D (DCI 11G)	Diesel	11123	230	313	08.00-	*	
Distribution 320.26D (DCI 11G)	Diesel	11123	230	313	08.00-	*	
Distribution 320.26D	Diesel	11123	230	313	08.00-	*	*
Route 320.18 (DCI 11G)	Diesel	11123	230	313	08.00-	*	*
Route 320.26	Diesel	11123	232	315	01.01-09.06	*	*
Distribution 370.18D (DCI 11E)	Diesel	11123	266	362	08.00-	*	
Distribution 370.24D (DCI 11E)	Diesel	11123	266	362	08.00-	*	
Distribution 370.26D (DCI 11E)	Diesel	11123	266	362	08.00-	*	
Distribution 370.26D	Diesel	11123	266	362	08.00-	*	*
Route 370.18 (DCI 11E)	Diesel	11123	266	362	08.00-	*	*
Route 370.24 (DCI 11E)	Diesel	11123	266	362	08.00-	*	*
Route 370.26 (DCI 11E)	Diesel	11123	266	362	08.00-	*	*
Route 385.18,400.18 (MIDR 06.23.56 A/41)	Diesel	11123	280	381	04.96-	*	*
Route 385.18,400.18 (MIDR 06.23.56 B/41)	Diesel	11123	280	381	04.96-	*	*
Route 385.19,400.19 (MIDR 06.23.56 A/41)	Diesel	11123	280	381	04.96-	*	*
Route 385.19,400.19 (MIDR 06.23.56 B/41)	Diesel	11123	280	381	04.96-	*	*
Route 385.24,400.24 (MIDR 06.23.56 A/41)	Diesel	11123	280	381	04.96-	*	*
Route 385.24,400.24 (MIDR 06.23.56 B/41)	Diesel	11123	280	381	04.96-	*	*
Route 385.26 (MIDR 06.23.56 A/41)	Diesel	11123	280	381	04.96-	*	*
Route 385.26,400.26 (MIDR 06.23.56 A/41)	Diesel	11123	280	381	04.96-	*	*
Route 385.26,400.26 (MIDR 06.23.56 B/41)	Diesel	11123	280	381	04.96-	*	*
Distribution 420.18D (DCI 11C)	Diesel	11123	303	412	08.00-	*	
Route 420.18 (DCI 11C)	Diesel	11123	303	412	08.00-	*	*

LISTA DE APLICACIONES - BUYERS GUIDE

Route 420.24 (DCI 11C)	Diesel		11123	303	412	08.00-	*	*	
Route 420.26 (DCI 11C)	Diesel		11123	303	412	08.00-	*	*	
Premium 04.96-							Veh. Municipal		
Distribution 320.26	Diesel		11123	232	315	03.01-09.06	*		
Distribution 370.26	Diesel		11123	266	362	03.01-09.06	*		