

LISTA DE APLICACIONES - BUYERS GUIDE

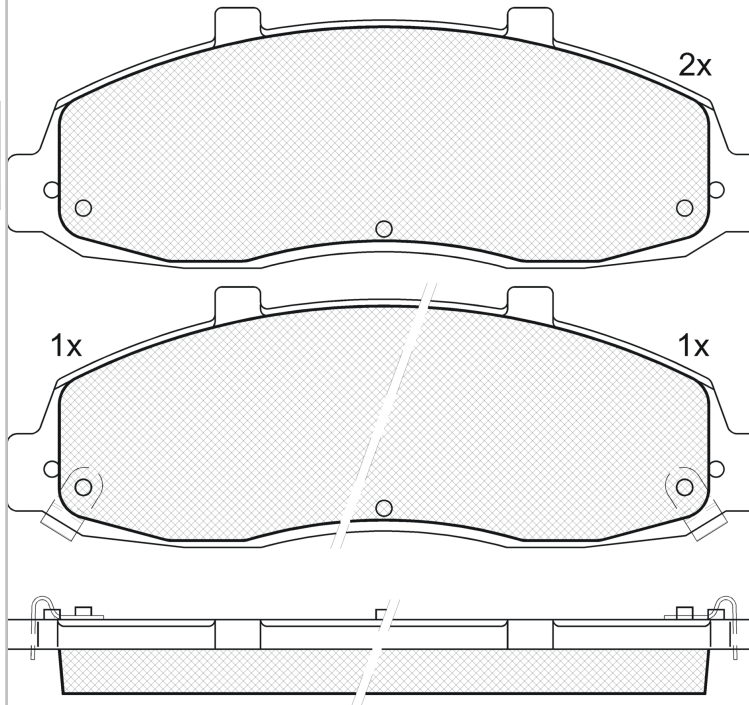
RB1402



Qty: 639

Weight: 1.990

O.E.M.	MAKE
F65Z-2001-AA	FORD USA
F6SZ-2001-AA	FORD USA
F85Z-2001-AA	FORD USA



RB1402



Wagner

166x57.3x16.3

WVA	FMSI
24757	D679-7558
24758	
24759	

Sin Filas



Trac.	CC	Kw	CV
-------	----	----	----



Front / Rear

FORD AUSTRALIA

F150 10.96-11.03

Pick-up (Pick-Up Truck)

4.6 V8	Gasolina	RWD	4601	154	209	05.97-08.98	*
4.6 V8	Gasolina	RWD	4601	162	220	10.96-09.98	*
4.6 V8 A las 4 ruedas	Gasolina	4WD	4601	162	220	10.96-09.98	*
4.6 V8	Gasolina	RWD	4601	164	223	09.98-10.01	*
4.6 V8	Gasolina	RWD	4601	170	231	10.98-11.03	*
4.6 V8 A las 4 ruedas	Gasolina	4WD	4601	170	231	10.98-11.03	*
5.4 V8	Gasolina	FWD	5403	185	252	10.96-11.03	*
5.4 V8	Gasolina	RWD	5403	280	381	05.01-11.03	*

FORD USA

F-150 X (U.S.A.) 09.96-12.03

Pick-up (Pick-Up Truck)

4.2	Gasolina	RWD	4192	148	201	10.96-11.03	*
4.2	Gasolina	RWD	4192	150	204	05.97-08.98	*
4.2	Gasolina	RWD	4192	157	213	09.98-10.01	*
4.6	Gasolina	RWD	4601	154	209	05.97-08.98	*
4.6	Gasolina	RWD	4601	162	220	10.96-09.98	*
4.6 4x4	Gasolina	4WD	4601	162	220	10.96-09.98	*
4.6	Gasolina	RWD	4601	164	223	09.98-10.01	*
4.6	Gasolina	RWD	4601	170	231	10.98-11.03	*
4.6 4x4	Gasolina	4WD	4601	170	231	10.98-11.03	*
4.9	Gasolina	FWD	4895	106	144	10.96-	*
5.4	Gasolina	RWD	5403	185	252	10.96-11.03	*
5.4 4x4	Gasolina	4WD	5403	185	252	10.96-11.03	*
5.4	Gasolina	RWD	5403	280	381	05.01-11.03	*

LISTA DE APLICACIONES - BUYERS GUIDE

5.4 Lightning		Gasolina	RWD	5403	280	381	09.01-12.03	*
5.8 4WD		Gasolina	FWD	5795	140	191	10.96-	*
5.4 BiFuel		Gasol./Gas (LPG)	RWD	5403	175	238	09.97-12.98	*
5.4 BiFuel		Gasol./Gas (LPG)	RWD	5403	175	238	09.97-12.98	*
5.4 BiFuel 4WD		Gasol./Gas (LPG)	4WD	5403	175	238	09.97-12.98	*
5.4 BiFuel 4WD		Gasol./Gas (LPG)	4WD	5403	175	238	09.97-12.98	*
5.4 BiFuel		Gasol./Gas (LPG)	RWD	5403	190	258	09.00-12.03	*
5.4 BiFuel		Gasol./Gas (LPG)	RWD	5403	190	258	09.98-12.03	*
5.4 BiFuel 4WD		Gasol./Gas (LPG)	4WD	5403	190	258	09.00-12.03	*
5.4 BiFuel 4WD		Gasol./Gas (LPG)	4WD	5403	190	258	09.98-12.03	*
7.3 TDi		Diesel	RWD	7277	154	209	10.96-11.03	*
7.3 TDi 4x4		Diesel	4WD	7277	154	209	10.96-11.03	*