

# LISTA DE APLICACIONES - BUYERS GUIDE

## RB1389-203

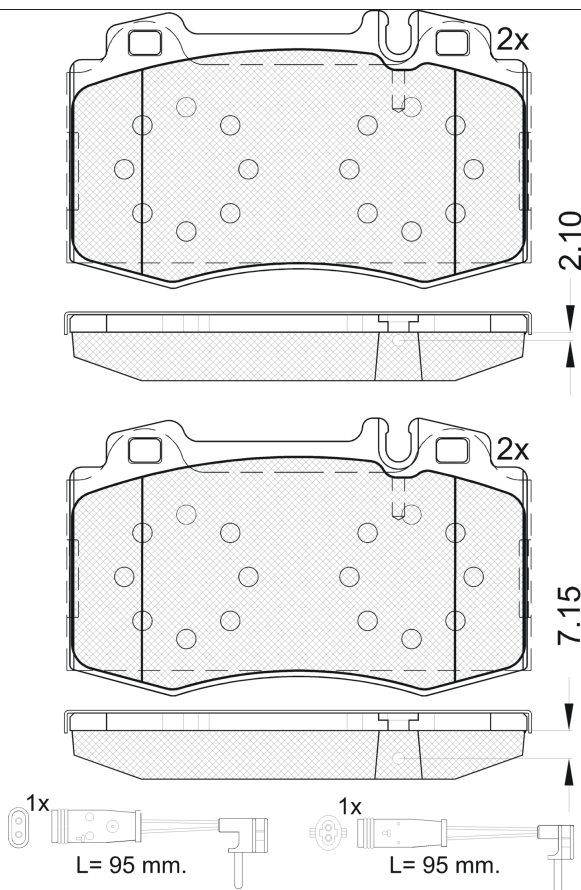


8 424073 129918

Qty: 300

Weight: 1.820

O.E.M.	MAKE
000 420 77 04	MERCEDES-BENZ
000 420 80 04	MERCEDES-BENZ
0004208404	MERCEDES-BENZ
003 420 58 20	MERCEDES-BENZ
004 420 05 20	MERCEDES-BENZ
004 420 90 20	MERCEDES-BENZ
005 420 95 20	MERCEDES-BENZ
006 420 12 20	MERCEDES-BENZ
006 420 32 20	MERCEDES-BENZ



1 - Ref. 610333 E

## RB1389-203



90R-01111/508



Brembo

119.1x71.5x17.7

WVA	FMSI
23045	D847-7960
23271	
23462	
23745	

Sin Filas



Trac.	CC	Kw	CV
-------	----	----	----



Front / Rear

### MERCEDES-BENZ

#### C-Class II (CL203) 03.01-06.11

#### Coupé (Compact executive car-D Segment)

Model	Year	Engine	Trac.	CC	Kw	CV	Period	Notes
C 320 (203.764)	(M 112.946)	Gasolina	RWD	3199	160	218	09.02-05.08	*
C 32 AMG Kompressor (203.765)	(M 112.961)	Gasolina	RWD	3199	260	354	05.02-05.08	*
C 350 (203.756)	(M 272.960)	Gasolina	RWD	3498	200	272	01.05-05.08	*
C 30 CDI AMG (203.718)	(OM 612.990)	Diesel	RWD	2950	170	231	09.02-05.08	*

#### C-Class II (W203) 05.00-12.07

#### Sedán (Compact executive car-D Segment)

Model	Year	Engine	Trac.	CC	Kw	CV	Period	Notes
C 180 Kompressor (203.046)	(M 271.946)	Gasolina	RWD	1796	105	143	05.02-02.07	*
C 200 Kompressor (203.045)	(M 271.940)	Gasolina	RWD	1796	120	163	05.02-02.07	*
C 200 CGI Kompressor (203.743)	(M 271.942)	Gasolina	RWD	1796	125	170	07.03-02.07	*
C 230 Kompressor (203.040)	(M 271.948)	Gasolina	RWD	1796	141	192	02.04-02.07	*
C 230 (203.052)	(M 272.920)	Gasolina	RWD	2496	150	204	01.05-02.07	*
C 240 (203.061)	(M 112.912)	Gasolina	RWD	2597	125	170	05.00-02.07	*
C 280 (203.054)	(M 272.940)	Gasolina	RWD	2996	170	231	01.05-02.07	*
C 320 (203.064)	(M 112.946)	Gasolina	RWD	3199	160	218	05.00-02.07	*
C 32 AMG Kompressor (203.765)	(M 112.961)	Gasolina	RWD	3199	260	354	02.01-02.07	*
3.5 (203.056)	(M 272.960)	Gasolina	RWD	3498	170	231	01.05-02.07	*
C 350 (203.056)	(M 272.960)	Gasolina	RWD	3498	200	272	01.05-02.07	*
C 350 4-matic (203.087)	(M 272.960)	Gasolina	4WD	3498	200	272	01.05-02.07	*
C 350 4-matic (203.087)	(M 272.970)	Gasolina	4WD	3498	200	272	01.05-02.07	*
C 55 AMG (203.076)	(M 113.988)	Gasolina	RWD	5439	270	367	02.04-02.07	*
C 55 AMG (203.076)		Gasolina	RWD	5439	270	367	09.05-12.06	*
C 200 CDI (203.004)	(OM 611.962)	Diesel	RWD	2148	75	102	02.01-06.03	*
C 200 CDI (203.004)	(OM 611.962)	Diesel	RWD	2148	85	116	09.00-06.03	*

# LISTA DE APLICACIONES - BUYERS GUIDE

C 200 CDI (203.007) (OM 646.962)		Diesel	RWD	2148	90	122	04.03-02.07	*	
C 200 CDI (203.007) (OM 646.963)		Diesel	RWD	2148	90	122	04.03-02.07	*	
C 220 CDI (203.006) (OM 611.962)		Diesel	RWD	2148	100	136	05.00-02.07	*	
C 220 CDI (203.006, 203.008) (OM 611.962)		Diesel	RWD	2148	105	143	05.00-02.07	*	
C 220 CDI (203.006, 203.008) (OM 646.963)		Diesel	RWD	2148	105	143	05.00-02.07	*	
C 220 CDI (203.008) (OM 646.963)		Diesel	RWD	2148	110	150	04.03-02.07	*	
C 270 CDI (203.016) (OM 612.962)		Diesel	RWD	2685	120	163	12.00-02.07	*	
C 270 CDI (203.016) (OM 612.962)		Diesel	RWD	2685	125	170	12.00-02.07	*	
C 30 CDI AMG (203.018) (OM 612.990)		Diesel	RWD	2950	170	231	01.03-02.07	*	
C 320 CDI (203.020) (OM 642.910)		Diesel	RWD	2987	165	224	01.05-02.07	*	
<b>C-Class II T-Model (S203) 03.01-08.07</b>							<b>[CAMBIADO]:Break (Compact executive car-D Segment)</b>		
C 180 Kompressor (203.246) (M 271.946)		Gasolina	RWD	1796	105	143	05.02-08.07	*	
C 200 Kompressor (203.245) (M 271.940)		Gasolina	RWD	1796	120	163	05.02-08.07	*	
C 200 CGI Kompressor (203.743) (M 271.942)		Gasolina	RWD	1796	125	170	07.03-08.07	*	
C 230 Kompressor (203.240) (M 271.948)		Gasolina	RWD	1796	141	192	02.04-08.07	*	
C 240 (203.261) (M 112.912)		Gasolina	RWD	2597	125	170	03.01-08.07	*	
C 320 (203.264) (M 112.946)		Gasolina	RWD	3199	160	218	03.01-08.07	*	
C 32 AMG Kompressor (203.765) (M 112.961)		Gasolina	RWD	3199	260	354	03.01-08.07	*	
C 350 (203.256) (M 272.960)		Gasolina	RWD	3498	200	272	01.05-08.07	*	
C 350 4-matic (203.287) (M 272.970)		Gasolina	4WD	3498	200	272	01.05-08.07	*	
C 55 AMG (203.276) (M 113.988)		Gasolina	RWD	5439	270	367	02.04-08.07	*	
C 200 CDI (203.204) (OM 611.962)		Diesel	RWD	2148	75	102	03.01-08.07	*	
C 200 CDI (203.204) (OM 646.962)		Diesel	RWD	2148	75	102	03.01-08.07	*	
C 200 CDI (203.204) (OM 611.962)		Diesel	RWD	2148	85	116	03.01-08.07	*	
C 200 CDI (203.207) (OM 646.962)		Diesel	RWD	2148	90	122	04.03-08.07	*	
C 200 CDI (203.207) (OM 646.963)		Diesel	RWD	2148	90	122	04.03-08.07	*	
C 220 CDI (203.208) (OM 646.963)		Diesel	RWD	2148	100	136	08.06-08.07	*	
C 220 CDI (203.206, 203.208) (OM 611.962)		Diesel	RWD	2148	105	143	03.01-08.07	*	
C 220 CDI (203.208) (OM 646.963)		Diesel	RWD	2148	110	150	02.04-08.07	*	
C 270 CDI (203.216) (OM 612.962)		Diesel	RWD	2685	120	163	03.01-08.07	*	
C 270 CDI (203.216) (OM 612.962)		Diesel	RWD	2685	125	170	03.01-08.07	*	
C 30 CDI AMG (203.218) (OM 612.990)		Diesel	RWD	2950	170	231	01.03-08.07	*	
C 320 CDI (203.220) (OM 642.910)		Diesel	RWD	2987	165	224	06.05-08.07	*	
<b>CL-Class II (C215) 03.99-12.06</b>							<b>Coupé (Compact executive car-D Segment)</b>		
CL 500 (215.375) (M 113.960)		Gasolina	RWD	4966	225	306	03.99-03.06	*	
CL 55 AMG Kompressor (215.374) (M 113.991)		Gasolina	RWD	5439	368	500	06.02-03.06	*	
CL 63 AMG (215.000) (M 137.980)		Gasolina	RWD	6258	326	444	09.01-03.06	*	
<b>CLK-Class II (A209) 06.02-12.13</b>							<b>Cabrio (Executive car-E Segment)</b>		
CLK 350 (209.456) (M 272.960)		Gasolina	RWD	3498	200	272	01.05-03.10	*	
CLK 500 (209.475) (M 113.968)		Gasolina	RWD	4966	225	306	02.03-03.10	*	
CLK 55 AMG (209.476) (M 113.987)		Gasolina	RWD	5439	270	367	06.02-03.10	*	
CLK AMG DTM (209.476) (M 113.994)		Gasolina	RWD	5439	428	582	06.04-10.05	*	
CLK 500 (209.472) (M 273.967)		Gasolina	RWD	5461	285	388	06.06-03.10	*	
CLK 63 AMG (209.477) (M 156.982)		Gasolina	RWD	6208	354	481	04.06-03.10	*	
CLK 320 CDI (209.420) (OM 642.910)		Diesel	RWD	2987	165	224	03.05-03.10	*	
<b>CLK-Class II (C209) 05.02-12.13</b>							<b>Coupé (Executive car-E Segment)</b>		
CLK 350 (209.356) (M 272.960)		Gasolina	RWD	3498	200	272	01.05-05.09	*	
CLK 500 (209.375) (M 113.968)		Gasolina	RWD	4966	225	306	06.02-05.09	*	
CLK 55 AMG (209.376) (M 113.987)		Gasolina	RWD	5439	270	367	09.02-05.09	*	

# LISTA DE APLICACIONES - BUYERS GUIDE

CLK 500 (209.372) (M 273.965)	Gasolina	RWD	5461	285	388	06.06-05.09	*
CLK 63 AMG (209.377) (M 156.982)	Gasolina	RWD	6208	354	481	04.06-05.09	*
CLK 320 CDI (209.320) (OM 642.910)	Diesel	RWD	2987	165	224	01.05-05.09	*
<b>CLS-Class (C219) 10.04-12.12</b>				<b>Coupé (Executive car-E Segment)</b>			
CLS 280 (219.354) (M 272.943)	Gasolina	RWD	2996	170	231	07.08-12.10	*
CLS 300 (219.354) (M 272.943)	Gasolina	RWD	2996	170	231	04.09-12.10	*
CLS 350 (219.356) (M 272.964)	Gasolina	RWD	3498	200	272	10.04-12.10	*
CLS 350 (219.357) (M 272.985)	Gasolina	RWD	3498	215	292	04.06-12.10	*
CLS 350 CGI (219.357)	Gasolina	RWD	3498	215	292	04.09-12.10	*
CLS 500 (219.375) (M 113.967)	Gasolina	RWD	4966	225	306	10.04-12.10	*
CLS 500 (219.372) (M 273.960)	Gasolina	RWD	5461	285	388	04.06-12.10	*
CLS 320 CDI (219.322) (OM 642.920)	Diesel	RWD	2987	155	211	01.05-12.10	*
CLS 320 CDI (219.322) (OM 642.920)	Diesel	RWD	2987	165	224	01.05-12.10	*
CLS 350 CDI (219.322) (OM 642.920)	Diesel	RWD	2987	165	224	04.09-12.10	*
CLS 350 CDI (219.322) (OM 642.920)	Diesel	RWD	2987	200	272	04.09-12.10	*
<b>E-Class III (VF211) 03.03-07.09</b>				<b>Caja/Chasis (LCVs-N1 Segment)</b>			
E 220 CDI (211.606) (OM 646.961)	Diesel	RWD	2148	110	150	10.03-07.06	*
E 220 CDI (211.608) (OM 646.821)	Diesel	RWD	2148	125	170	04.06-07.09	*
E 270 CDI (211.616) (OM 647.961)	Diesel	RWD	2685	120	163	03.03-07.09	*
E 270 CDI (211.616) (OM 647.961)	Diesel	RWD	2685	130	177	10.03-07.05	*
E 280 CDI (211.620) (OM 642.920)	Diesel	RWD	2987	140	190	08.05-07.09	*
<b>E-Class III (W211) 03.02-03.09</b>				<b>Sedán (Executive car-E Segment)</b>			
E 200 Kompressor (211.042) (M 271.941)	Gasolina	RWD	1796	120	163	11.02-12.08	*
E 200 Kompressor (211.042) (M 271.956)	Gasolina	RWD	1796	135	184	04.06-12.08	*
E 230 (211.052) (M 272.922)	Gasolina	RWD	2496	150	204	09.07-12.08	*
E 280 (211.054) (M 272.943)	Gasolina	RWD	2996	170	231	03.05-12.08	*
E 280 4-matic (211.092) (M 272.943)	Gasolina	4WD	2996	170	231	01.06-12.08	*
E 280 4-matic (211.092) (M 272.944)	Gasolina	4WD	2996	170	231	01.06-12.08	*
E 320 (211.065) (M 112.949)	Gasolina	RWD	3199	165	224	03.02-12.08	*
E 350 (211.056) (M 272.964)	Gasolina	RWD	3498	200	272	03.05-12.08	*
E 350 4-matic (211.087) (M 272.972)	Gasolina	4WD	3498	200	272	03.05-12.08	*
3.5	Gasolina	FWD	3498	205	279	08.04-08.06	*
E 350 CGI (211.057) (M 272.985)	Gasolina	RWD	3498	215	292	09.07-12.08	*
E 500 (211.070) (M 113.967)	Gasolina	RWD	4966	225	306	03.02-12.08	*
E 500 (211.072) (M 273.960)	Gasolina	RWD	5461	285	388	04.06-12.08	*
E 500 4-matic (211.090) (M 273.962)	Gasolina	4WD	5461	285	388	04.06-12.08	*
E 200 NGT (211.042) (M 271.941)	Gasol./Gas (CNG)	RWD	1796	120	163	03.04-12.08	*
E 200 CDI (211.004) (OM 646.951)	Diesel	RWD	2148	75	102	07.02-12.08	*
E 200 CDI (211.004) (OM 646.951)	Diesel	RWD	2148	90	122	07.02-12.08	*
E 200 CDI (211.007) (OM 646.820)	Diesel	RWD	2148	100	136	04.06-12.08	*
E 220 CDI (211.006) (OM 646.961)	Diesel	RWD	2148	100	136	03.02-12.08	*
E 220 CDI (211.006) (OM 646.961)	Diesel	RWD	2148	110	150	03.02-12.08	*
E 220 CDI (211.008) (OM 646.821)	Diesel	RWD	2148	125	170	04.06-12.08	*
E 220 CDI (211.008) (OM 646.821)	Diesel	RWD	2149	120	163	03.03-12.08	*
E 280 CDI (211.020) (OM 642.920)	Diesel	RWD	2987	140	190	03.05-12.08	*
E 280 CDI 4-matic (211.084) (OM 642.921)	Diesel	4WD	2987	140	190	03.05-12.08	*
E 300 BlueTEC (211.024) (OM 642.920)	Diesel	RWD	2987	155	211	09.07-12.08	*
E320 CDI (211.022) (OM 642.920)	Diesel	RWD	2987	165	224	03.05-12.08	*
E 320 CDI 4-matic (211.089) (OM 642.910)	Diesel	4WD	2987	165	224	03.05-12.08	*

# LISTA DE APLICACIONES - BUYERS GUIDE

E 320 CDI 4-matic (211.089) (OM 642.921)		Diesel	4WD	2987	165	224	03.05-12.08	*
E 280 CDI (211.023) (OM 648.961)		Diesel	RWD	3222	130	177	05.04-12.08	*
E 320 CDI (211.026) (OM 648.961)		Diesel	RWD	3222	150	204	11.02-12.08	*
E 400 CDI (211.028) (OM 628.961)		Diesel	RWD	3996	191	260	02.03-12.08	*
<b>E-Class III T-Model (S211) 02.03-07.09</b>					<b>[CAMBIADO]:Break (Executive car-E Segment)</b>			
E 200 T Kompressor (211.242) (M 271.941)		Gasolina	RWD	1796	120	163	03.03-07.09	*
E 200 Kompressor (211.241) (M 271.956)		Gasolina	RWD	1796	135	184	04.06-07.09	*
E 230 T (211.252) (M 272.922)		Gasolina	RWD	2496	150	204	05.07-07.09	*
E 280 T (211.254) (M 272.943)		Gasolina	RWD	2996	170	231	03.05-07.09	*
E 320 T (211.265) (M 112.949)		Gasolina	RWD	3199	165	224	03.03-07.09	*
E 350 T (211.256) (M 272.964)		Gasolina	RWD	3498	200	272	03.05-07.09	*
E 350 T 4-matic (211.287) (M 272.972)		Gasolina	4WD	3498	200	272	03.05-07.09	*
3.5		Gasolina	FWD	3498	205	279	08.04-08.06	*
350 CGI (211.257) (M 272.985)		Gasolina	RWD	3498	215	292	05.06-07.09	*
E 500 T (211.270) (M 113.967)		Gasolina	RWD	4966	225	306	10.03-07.09	*
E 500 T (211.272) (M 273.960)		Gasolina	RWD	5461	285	388	04.06-07.09	*
E 500 T 4-matic (211.290) (M 273.962)		Gasolina	4WD	5461	285	388	04.06-07.09	*
E 200 CDI (211.207) (OM 646.821)		Diesel	RWD	2148	100	136	04.06-07.09	*
E 220 CDI (211.206) (OM 646.961)		Diesel	RWD	2148	100	136	03.03-07.09	*
E 220 T CDI (211.206) (OM 646.961)		Diesel	RWD	2148	110	150	03.03-07.09	*
E 220 T CDI (211.208) (OM 646.821)		Diesel	RWD	2148	120	163	03.03-07.09	*
E 220 T CDI (211.208) (OM 646.821)		Diesel	RWD	2148	125	170	04.06-07.09	*
E 270 T CDI (211.216) (OM 647.961)		Diesel	RWD	2685	120	163	03.03-07.09	*
E 280 T CDI (211.220) (OM 642.920)		Diesel	RWD	2987	140	190	03.05-07.09	*
E 320 T CDI (211.222) (OM 642.920)		Diesel	RWD	2987	155	211	11.07-07.09	*
E 320 T CDI (211.222) (OM 642.920)		Diesel	RWD	2987	165	224	03.05-07.09	*
E 320 T CDI 4-matic (211.289) (OM 642.921)		Diesel	4WD	2987	165	224	03.05-07.09	*
E 280 T CDI (211.223) (OM 648.961)		Diesel	RWD	3222	130	177	05.04-07.09	*
E 320 T CDI (211.226) (OM 648.961)		Diesel	RWD	3222	150	204	03.03-07.09	*
<b>S-Class IV (W220, V220) 09.98-12.06</b>					<b>Sedán (Luxury car-F Segment)</b>			
S 280 (220.063, 220.163) (M 112.922)		Gasolina	RWD	2799	150	204	10.98-08.05	*
S 320 (220.065, 220.165) (M 112.944)		Gasolina	RWD	3199	165	224	10.98-08.05	*
S 350, S 350 L (220.067, 220.167) (M 112.972)		Gasolina	RWD	3724	180	245	09.02-08.05	*
S 430, S 430 L (220.070, 220.170) (M 113.941)		Gasolina	RWD	4266	205	279	10.98-08.05	*
S 500 (220.075, 220.175, 220.875) (M 113.960)		Gasolina	RWD	4966	220	299	10.98-12.03	*
S 500, S 500 L (220.075, 220.175, 220.875) (M 113.960)		Gasolina	RWD	4966	225	306	10.98-08.05	*
S 500, S 500 L (220.075, 220.175, 220.875) (M 113.966)		Gasolina	RWD	4966	225	306	10.98-08.05	*
S 600, S 600 L (220.176) (M 275.950)		Gasolina	RWD	5513	368	500	09.02-08.05	*
S 320 CDI (220.026, 220.126) (OM 613.960)		Diesel	RWD	3222	145	197	08.99-09.02	*
S 320 CDI (220.025, 220.125) (OM 648.960)		Diesel	RWD	3222	150	204	09.02-08.05	*
S 400 CDI (220.028, 220.128) (OM 628.960)		Diesel	RWD	3996	184	250	06.00-08.05	*
S 400 CDI (220.028, 220.128) (OM 628.960)		Diesel	RWD	3996	191	260	06.03-08.05	*
<b>SL-Class IV (R230) 10.01-12.13</b>					<b>Cabrió (Grand Tourer-S Segment)</b>			
280 (230.454) (M 272.949)		Gasolina	RWD	2996	170	231	03.08-01.12	*
300 (230.454) (M 272.949)		Gasolina	RWD	2996	170	231	04.09-01.12	*
350 (230.456) (M 272.966)		Gasolina	RWD	3498	200	272	03.06-01.12	*
350 (230.458) (M 272.968)		Gasolina	RWD	3498	232	316	04.08-01.12	*
350 (230.467) (M 112.973)		Gasolina	RWD	3724	180	245	03.03-01.12	*
500 (230.475) (M 113.963)		Gasolina	RWD	4966	225	306	10.01-01.12	*

# LISTA DE APLICACIONES - BUYERS GUIDE

<b>SLK-Class II (R171) 03.04-12.15</b>					<b>Cabrío (Sports car-S Segment)</b>			
350 (171.456) (M 272.963)	Gasolina	RWD	3498	200	272	06.04-02.11	*	
55 AMG (171.473) (M 113.989)	Gasolina	RWD	5439	265	360	06.04-02.11	*	
55 AMG (171.473)	Gasolina	RWD	5439	265	360	09.09-12.11	*	
55 AMG (171.473) (M 113.989)	Gasolina	RWD	5439	294	400	06.06-02.11	*	
<b>MERCEDES-BENZ (BBDC)</b>								
<b>E-Class (W211) 11.05-</b>					<b>Sedán (Executive car-E Segment)</b>			
3.0	Gasolina	FWD	2998	170	228	11.05-	*	
3.5 E 350 (211.056)	Gasolina	RWD	3498	200	272	11.05-12.09	*	