

# LISTA DE APLICACIONES - BUYERS GUIDE

## RB1386

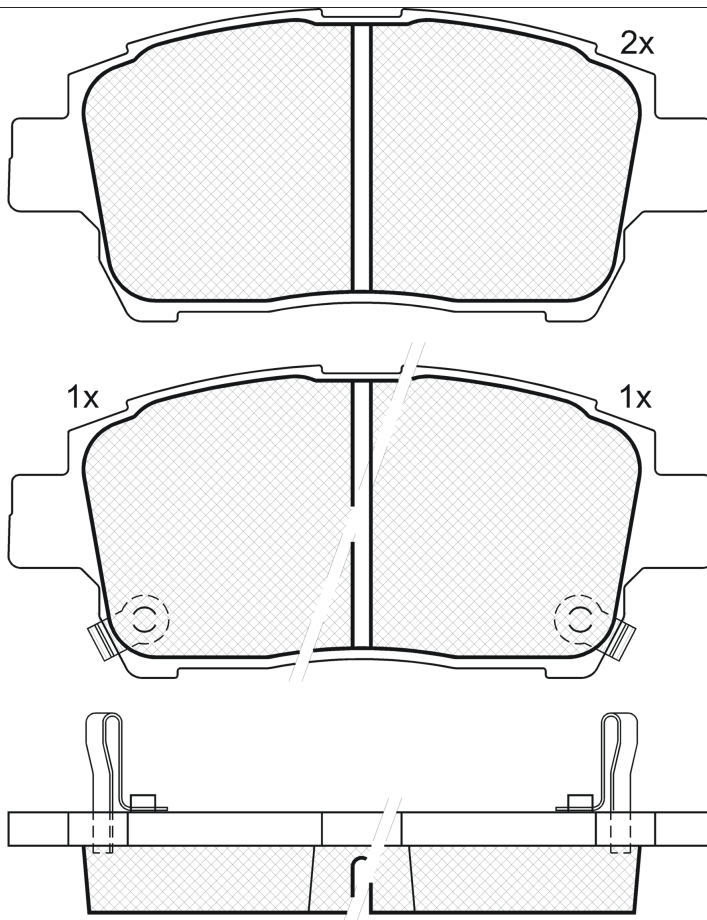


8 424073 129840

Qty: 300

Weight: 1.185

O.E.M.	MAKE
04465-17100	TOYOTA
04465-17101	TOYOTA
04465-17140	TOYOTA
04465-20480	TOYOTA
04465-20520	TOYOTA
04465-20521	TOYOTA
04465-47030	TOYOTA
04465-52010	TOYOTA
04465-52011	TOYOTA
04465-52060	TOYOTA
04465-52110	TOYOTA
04465-52120	TOYOTA
04465-YZZDA	TOYOTA
86 60 004 720	RENAULT
86 71 016 682	RENAULT



## RB1386

E 9 90R-01111/412



Akebono

116.4x51.5x16.5

WVA	FMSI
23510	D822-7695
23511	D846-7722
23512	

Sin Filas



Trac.	CC	Kw	CV		
					Front / Rear

### BYD

								Sedán ( )
<b>F3 03.05-</b>								
1.5	Gasolina	FWD	1488	78	106	09.07-12.12	*	
1.5 (4G15S)	Gasolina	FWD	1488	79	107	09.08-12.12	*	
1.5 (BYD473QB)	Gasolina	FWD	1488	79	107	09.08-12.12	*	
1.5	Gasolina	FWD	1497	80	109	01.11-	*	
1.5 Ti (BYD476ZQA)	Gasolina	FWD	1497	113	154	03.14-12.15	*	
1.6 (DA4G18)	Gasolina	FWD	1584	74	99	09.05-07.12	*	
1.8	Gasolina	FWD	1839	90	122	05.07-12.08	*	

								[CAMBIADO]:Fastback ( )
<b>F3R 04.07-</b>								
1.5 (4G15)	Gasolina	FWD	1468	73	99	12.07-12.09	*	
1.5 (4G15S)	Gasolina	FWD	1488	78	106	04.07-08.09	*	
1.5	Gasolina	FWD	1488	79	107	08.10-	*	
1.5	Gasolina	FWD	1490	75	102	08.09-	*	
1.6 (DA4G18)	Gasolina	FWD	1584	74	99	09.07-	*	

### FAW (TIANJIN)

								Sedán ( )
<b>JUNPAI A50 03.18-</b>								
1.5 (CA4GA15-01)	Gasolina	FWD	1497	83	113	03.18-	*	

### LIFAN

								Sedán (Compact car-C Segment)
<b>620 06.08-</b>								
1.6 (LF481Q3)	Gasolina	FWD	1587	78	106	06.08-12.16	*	
1.6	Gasolina	FWD	1596	85	116	11.08-12.10	*	

# LISTA DE APLICACIONES - BUYERS GUIDE

<b>650 06.18-</b>									<b>Sedán ( )</b>
EV (TZ210XSD5F)		Eléctrico	FWD	0	100	136	06.18-		*
<b>TOYOTA</b>									
<b>CELICA VII ( _T23_ ) 08.99-03.06</b>					<b>Coupé (Sports car-S Segment)</b>				
1.8 16V VT-i (ZZT230_, ZZT230) (1ZZ-FE)		Gasolina	FWD	1794	105	143	08.99-07.05		*
1.8 16V TS (ZZT231_, ZZT231R) (2ZZ-GE)		Gasolina	FWD	1796	141	192	08.99-09.05		*
<b>COROLLA IX ( _E12_ ) 03.01-12.08</b>					<b>[CAMBIADO]:Break (Compact executive car-D Segment)</b>				
1.6 VVT-i (ZZE121_, ZZE121R) (3ZZ-FE)		Gasolina	FWD	1598	81	110	01.02-08.07		*
<b>COROLLA IX / ALTIS / AXIO-ALTIS ( _E12_ ) 08.00-12.08</b>					<b>Sedán (Compact executive car-D Segment)</b>				
1.6 VVT-i (ZZE121_, ZZE121R) (3ZZ-FE)		Gasolina	FWD	1598	81	110	10.01-03.08		*
<b>COROLLA IX / RUNX ( _E12_ ) 01.01-04.08</b>					<b>[CAMBIADO]:Fastback (Compact executive car-D Segment)</b>				
1.6 VVT-i (ZZE121_, ZZE121R) (3ZZ-FE)		Gasolina	FWD	1598	81	110	01.02-12.06		*
<b>ECHO ( _P1_ ) 03.99-10.05</b>					<b>[CAMBIADO]:Fastback (Supermini car-B Segment)</b>				
1.3 (SCP12_)		Gasolina	FWD	1298	64	87	04.03-08.05		*
1.3 (NCP10_)		Gasolina	FWD	1299	63	86	08.99-03.03		*
1.5 (NCP13_)		Gasolina	FWD	1497	78	106	12.02-08.05		*
<b>ECHO ( _P1_ ) 08.99-01.06</b>					<b>Sedán (Supermini car-B Segment)</b>				
1.5 (NCP12_, NCP12R) (1NZ-FE)		Gasolina	FWD	1497	78	106	08.99-08.05		*
1.5 (NCP12_) (1NZ-FE)		Gasolina	FWD	1497	81	110	08.99-12.05		*
<b>MR 2 III / MR (ZZW3_) 10.99-06.07</b>					<b>Cabrió (Sports car-S Segment)</b>				
1.8 16V VT-i (ZZW30) (1ZZ-FE)		Gasolina	RWD	1794	103	140	10.99-06.07		*
1.8 VVT-i 16V		Gasolina	FWD	1795	104	142	10.99-		*
<b>OPA (ZCT1_, ACT1_) 04.00-04.05</b>					<b>[CAMBIADO]:Break (Executive car-E Segment)</b>				
1.8 (ZCT10) (1ZZ-FE)		Gasolina	FWD	1794	97	132	04.00-08.03		*
<b>PLATZ (NCP1_, SCP1_) 04.99-10.05</b>					<b>Sedán (Supermini car-B Segment)</b>				
1.0 (SCP11_, SCP11) (1SZ-FE)		Gasolina	FWD	998	50	68	04.99-08.05		*
1.3 (NCP10_, NCP10) (2NZ-FE)		Gasolina	FWD	1299	63	86	08.99-08.05		*
1.3 (NCP16_)		Gasolina	FWD	1299	63	86	08.99-08.05		*
1.5 (NCP12_, NCP12) (1NZ-FE)		Gasolina	FWD	1497	78	106	04.99-08.05		*
1.5 (NCP13_)		Gasolina	FWD	1497	78	106	09.02-08.05		*
<b>PRIUS ( _W1_ ) 05.00-01.04</b>					<b>Sedán (Compact car-C Segment)</b>				
1.5 Hybrid (NHW1_) (1NZ-FXE)		Gasol./el éc.	FWD	1497	53	72	05.00-01.04		*
1.5 Hybrid (NHW11)		Gasol./el éc.	FWD	1497	85	116	09.00-12.03		*
<b>YARIS VERSO / ECHO VERSO / FUN CARGO ( _P2_ ) 03.00-09.05</b>					<b>Furgón/hatchback (Mini MPV-M1 Segment)</b>				
1.3 VVTi (NCP22_) (2NZ-FE)		Gasolina	FWD	1299	62	84	04.03-09.05		*
1.3 VVTi (NCP22_) (2NZ-FE)		Gasolina	FWD	1299	63	86	03.00-09.05		*
1.5 VVTi (NCP21_) (1NZ-FE)		Gasolina	FWD	1497	78	106	03.00-03.03		*
1.4 D4d (NLP22_) (1ND-TV)		Diesel	FWD	1364	55	75	10.01-09.05		*
<b>YARIS VERSO / ECHO VERSO / FUN CARGO ( _P2_ ) 08.99-09.05</b>					<b>MPV (Mini MPV-M1 Segment)</b>				
1.3 (NCP20_, NCP22_, NCP20R, NCP22R) (2NZ-FE)		Gasolina	FWD	1299	62	84	11.02-09.05		*
1.3 (NCP20_, NCP22_, NCP20R, NCP22R) (2NZ-FE)		Gasolina	FWD	1299	63	86	08.99-10.02		*
1.5 (NCP21_) (1NZ-FE)		Gasolina	FWD	1497	77	105	03.00-09.05		*
1.5 (NCP21_) (1NZ-FE)		Gasolina	FWD	1497	78	106	03.00-09.05		*

## LISTA DE APLICACIONES - BUYERS GUIDE

1.5 4WD (NCP25) (1NZ-FE)	Gasolina	4WD	1497	78	106	03.00-09.05	*
1.5 (NCP21)	Gasolina	FWD	1497	80	109	08.02-09.05	*
1.5 (NCP21)	Gasolina	FWD	1497	81	110	01.00-07.02	*
1.4 D-4D (NLP20_, NLP22_) (1ND-TV)	Diesel	FWD	1364	55	75	09.00-09.05	*
<b>YARIS / ECHO / VITZ ( _P1_) 01.99-12.05</b>						<b>[CAMBIADO]:Fastback (Supermini car-B Segment)</b>	
1.0 (SCP10_, SCP10R) (1SZ-FE)	Gasolina	FWD	998	48	65	03.03-09.05	*
1.0 (SCP10_, SCP10R) (1SZ-FE)	Gasolina	FWD	998	50	68	04.99-09.05	*
1.3 (SCP12_, SCP13_, SCP12R, SCP13R) (2SZ-FE)	Gasolina	FWD	1298	64	87	04.02-09.05	*
1.3	Gasolina	FWD	1299	57	76	09.03-12.04	*
1.3 (NCP10, SCP12_) (2NZ-FE)	Gasolina	FWD	1299	63	86	08.99-11.05	*
1.5 (NCP13_, NCP13R) (1NZ-FE)	Gasolina	FWD	1497	77	105	01.03-11.05	*
1.5 (NCP13_, NCP13R) (1NZ-FE)	Gasolina	FWD	1497	78	106	04.01-09.05	*
1.5 (NCP13_, NCP13R) (1NZ-FE)	Gasolina	FWD	1497	110	150	03.00-07.05	*
1.4 D-4D (NLP10_, NLP10R) (1ND-TV)	Diesel	FWD	1364	55	75	10.01-09.05	*
1.4 D-4D	Diesel	RWD	1364	66	90	02.03-10.05	*