

LISTA DE APLICACIONES - BUYERS GUIDE

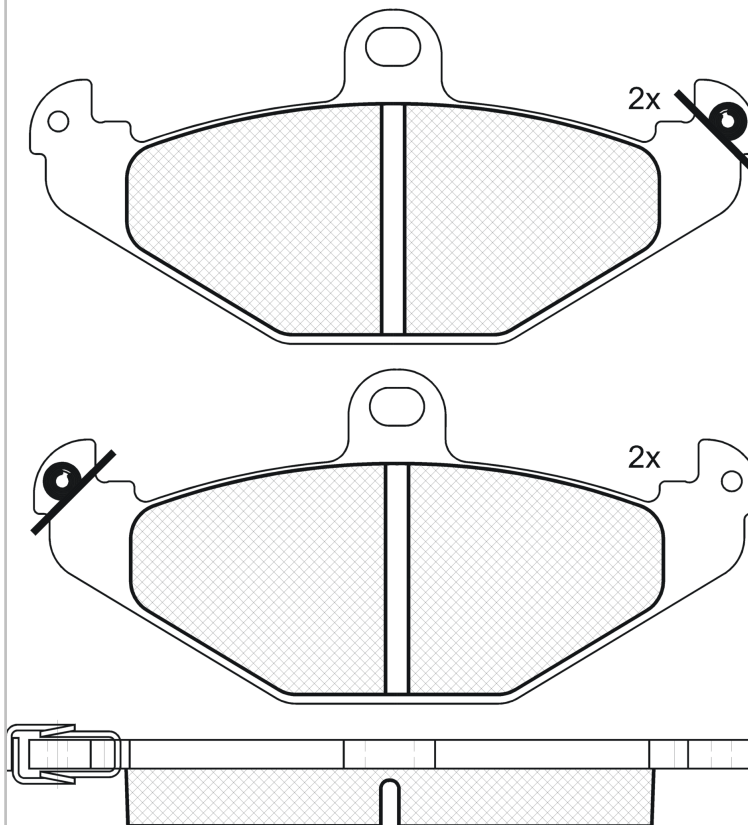
RB1379



Qty: 944

Weight: 900

O.E.M.	MAKE
48 01 293	OPEL
48 01 664	OPEL
91 990 59	VAUXHALL
93 181 371	VAUXHALL
93 184 618	VAUXHALL
93 191 371	OPEL
A117J-0085S	LOTUS
B117J-0085S	LOTUS



RB1379

E 9 90R-02A0110/0603



Brembo

125.9x58.4x12.9

WVA	FMSI
20358	D491-8276
20410	
20423	

Sin Filas



Trac.	CC	Kw	CV
-------	----	----	----



Front / Rear

LOTUS

2 ELEVEN 04.07-07.11

						Cabrío (Sports car-S Segment)		
1.8 (2ZZ-GE)	Gasolina	RWD	1796	142	193	04.07-07.11	*	

ELISE 08.95-01.01

						Cabrío (Sports car-S Segment)		
1.8 (18 K4F)	Gasolina	RWD	1796	88	120	08.95-11.00	*	
111 S (18 K4K)	Gasolina	RWD	1796	107	146	03.99-11.00	*	

ELISE II 11.00-

						Cabrío (Sports car-S Segment)		
1.6 (1ZR-FAE)	Gasolina	RWD	1598	100	136	06.07-	*	
1.8 (18 K4F)	Gasolina	RWD	1796	90	122	11.00-08.05	*	
1.8 (1ZZ-FE)	Gasolina	RWD	1796	99	135	10.03-	*	
1.8 (2ZZ-GE)	Gasolina	RWD	1796	118	160	05.02-	*	
1.8 (2ZZ-GE)	Gasolina	RWD	1796	140	190	11.02-10.13	*	
1.8 (2ZZ-GE)	Gasolina	RWD	1796	141	192	01.04-	*	
1.8 (2ZZ-GE)	Gasolina	RWD	1796	164	223	01.04-10.13	*	
1.8 (2ZR-FE)	Gasolina	RWD	1798	162	220	06.07-	*	

ELISE 340 R 02.00-02.01

						Cabrío (Sports car-S Segment)		
1.8	Gasolina	RWD	1796	132	180	03.00-02.01	*	

EUROPA S 07.06-

						Coupé (Sports car-S Segment)		
2.0 Turbo (Z 20 LER)	Gasolina	RWD	1998	147	200	07.06-	*	
2.0 Turbo (Z 20 LER)	Gasolina	RWD	1998	165	224	09.08-	*	

EXIGE I-II (SCC_) 05.00-06.12

						Coupé (Sports car-S Segment)		
1.8 16V (2ZZ-GE)	Gasolina	RWD	1796	132	180	05.00-07.08	*	
1.8 16V (2ZZ-GE)	Gasolina	RWD	1796	141	192	09.01-07.08	*	

LISTA DE APLICACIONES - BUYERS GUIDE

1.8 16V (2ZZ-GE)	Gasolina	RWD	1796	163	222	04.06-06.12	*
1.8 Cup 240 (2ZZ-GE)	Gasolina	RWD	1796	181	246	04.06-06.12	*
1.8 Cup 260 (2ZZ-GE)	Gasolina	RWD	1796	191	260	04.06-06.12	*
1.8 265 E (2ZZ-GE)	Gasolina	RWD	1796	197	268	08.06-06.12	*
OPEL							
SPEEDSTER (E01) 06.00-08.06					Cabrío (Sports car-S Segment)		
2.0 Turbo (R97) (Z 20 LET)	Gasolina	RWD	1998	147	200	08.02-08.06	*
2.0	Gasolina	FWD	1998	162	220	10.03-08.06	*
2.2 (R97) (Z 22 SE)	Gasolina	RWD	2198	108	147	06.00-08.05	*
VAUXHALL							
SPEEDSTER (E01) 03.01-09.06					Cabrío (Sports car-S Segment)		
2.2	Gasolina	RWD	2198	108	147	03.01-09.06	*
VX220 (E01) 09.00-07.05					Cabrío (Sports car-S Segment)		
2.0 i Turbo (Z 20 LET)	Gasolina	RWD	1998	147	200	03.01-07.05	*
2.0 VXR (Z 20 LET)	Gasolina	RWD	1998	162	220	10.03-07.05	*
2.2 i (Z 22 SE)	Gasolina	RWD	2198	108	147	09.00-07.05	*