

LISTA DE APLICACIONES - BUYERS GUIDE

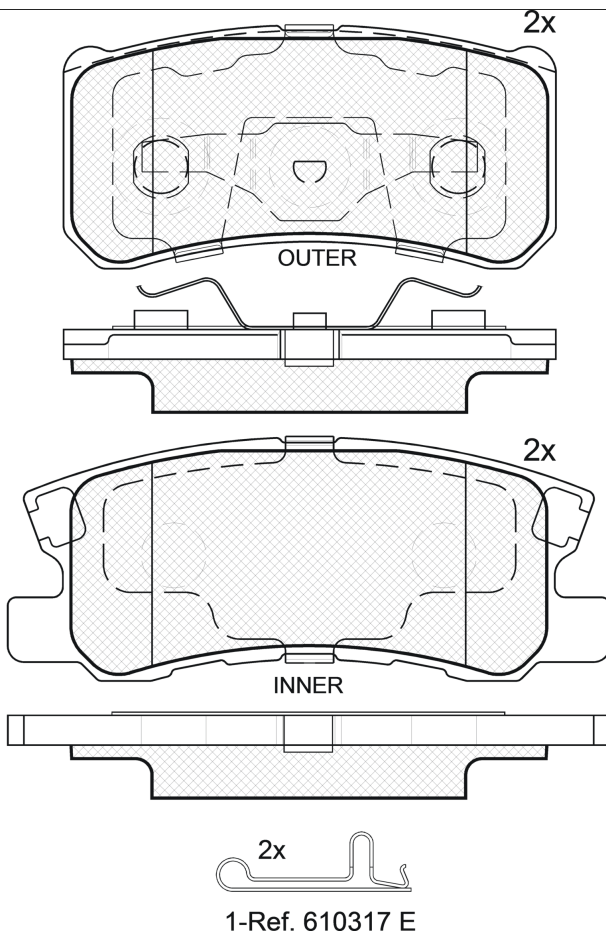
RB1375-202



Qty: 944

Weight: 980

O.E.M.	MAKE
2AMV-4271-AA	JEEP
2AMV-4671-AA	JEEP
46 05A 487	MITSUBISHI
46 05A 502	MITSUBISHI
68020256AA	CHRYSLER
68028671AA	CHRYSLER
68033078AA	DODGE
K6802-0256-AA	LANCIA
K6802-0262-AA	LANCIA
K6802-8671-AA	LANCIA
MN 116 286	MITSUBISHI
MZ 690 574	MITSUBISHI
MZ 690 595	MITSUBISHI
V2011271AA	JEEP
V2011271AB	JEEP



RB1375-202

E 9 90R-01110/3278



Akebono

91.1x45x15.9

111.4x45x15.9

WVA	FMSI
23582	D1343-7743
23583	
25994	
25995	
25996	

Sin Filas



Trac.	CC	Kw	CV
-------	----	----	----



Front / Rear

CHRYSLER

200 01.10-						Cabrio (Executive car-E Segment)			
2.4 (ED3)		Gasolina	FWD	2360	129	175	01.11-12.14		*
2.4 (EDG)		Gasolina	FWD	2360	129	175	01.11-12.14		*
3.6 (ERB)		Gasolina	FWD	3604	211	287	09.11-12.12		*
3.6 Flexfuel		Gasol./Etanol	FWD	3604	211	287	09.10-		*
200 01.10-						Sedán (Executive car-E Segment)			
2.4 (ED3)		Gasolina	FWD	2360	129	175	01.11-12.15		*
2.4 (EDG)		Gasolina	FWD	2360	129	175	01.11-12.15		*
3.6 Flexfuel		Gasol./Etanol	FWD	3604	211	287	09.10-		*
200 II 06.14-						Sedán (Executive car-E Segment)			
2.4 (EDG)		Gasolina	FWD	2360	129	175	07.14-		*
SEBRING III / CIRRUS (JS) 05.07-12.10						Cabrio (Executive car-E Segment)			
2.4 VVT (ED3)		Gasolina	FWD	2360	125	170	07.07-12.10		*
2.4 (EDG)		Gasolina	FWD	2360	128	174	05.07-12.10		*
2.7 (EER)		Gasolina	FWD	2736	137	186	07.07-12.10		*
2.7 VVT (EER)		Gasolina	FWD	2736	141	192	07.07-12.10		*
3.5 (EGG)		Gasolina	FWD	3518	175	238	05.07-12.10		*
3.5 AWD		Gasolina	FWD	3518	175	238	09.07-12.08		*
2.7 Flexfuel (EER)		Gasol./Etanol	FWD	2736	137	186	05.07-09.10		*
2.0 CRD (ECD)		Diesel	FWD	1968	103	140	07.07-12.10		*

LISTA DE APLICACIONES - BUYERS GUIDE

SEBRING III / CIRRUS (JS) 09.06-12.10					Sedán (Executive car-E Segment)			
2.0 VVT (ECN)		Gasolina	FWD	1998	115	156	07.07-12.10	*
2.4 VVT (ED3)		Gasolina	FWD	2360	125	170	07.07-12.10	*
2.4 VVT (EDG)		Gasolina	FWD	2360	125	170	07.07-12.10	*
2.4 (EDG)		Gasolina	FWD	2360	128	174	09.06-12.10	*
2.4 AWD		Gasolina	FWD	2360	128	174	09.07-12.08	*
2.4 LX		Gasolina	FWD	2395	110	150	09.06-	*
2.4 LX		Gasolina	FWD	2395	110	150	09.06-	*
2.7 Flexfuel		Gasolina	FWD	2736	137	186	01.07-12.10	*
2.7 VVT (EER)		Gasolina	FWD	2736	137	186	07.07-09.10	*
2.7 (EER)		Gasolina	FWD	2736	138	188	07.07-12.10	*
2.7		Gasolina	FWD	2736	139	189	09.07-12.10	*
2.7 Flexfuel		Gasolina	FWD	2736	139	189	09.07-12.10	*
2.7 Flexfuel		Gasolina	FWD	2736	141	192	09.06-12.07	*
2.7 VVT (EER)		Gasolina	FWD	2736	141	192	09.06-12.10	*
3.5 (EGF)		Gasolina	FWD	3518	175	238	09.06-12.08	*
3.5 AWD		Gasolina	4WD	3518	175	238	11.07-12.10	*
2.0 CRD (ECD)		Diesel	FWD	1968	103	140	07.07-12.10	*
CITROËN								
C4 AIRCROSS 08.10-					SUV (Mini SUV-J Segment)			
1.5 Flex		Gasolina	FWD	1449	68	93	11.15-	*
1.6 Flex		Gasolina	FWD	1587	81	110	08.10-	*
1.6		Gasolina	FWD	1587	85	115	07.12-	*
1.6 (4A92)		Gasolina	FWD	1590	86	117	04.12-	*
1.6 (NKZ (4A92))		Gasolina	FWD	1590	86	117	04.12-	*
1.6 Flex		Gasolina	FWD	1590	90	122	07.12-	*
2.0		Gasolina	FWD	1998	110	150	04.12-	*
2.0 AWC		Gasolina	4WD	1998	110	150	04.12-	*
1.6 HDi 115 (9HD (DV6C))		Diesel	FWD	1560	84	114	04.12-	*
1.6 HDi 115 AWC (9HL (DV6C))		Diesel	4WD	1560	84	114	05.12-	*
1.8 HDi 150 (4N13)		Diesel	FWD	1798	110	150	04.12-	*
1.8 HDi 150 AWC (4N13)		Diesel	4WD	1798	110	150	04.12-	*
C-CROSSER (VU_) 02.07-12.12					Furgoneta/SUV (Compact SUV-J Segment)			
2.2 HDi (VU4HNNH)		Diesel	4WD	2179	115	156	06.07-12.12	*
C-CROSSER (VU_, VV_) 02.07-					SUV (Compact SUV-J Segment)			
2.0 (4B11)		Gasolina	FWD	1998	108	147	11.10-12.12	*
2.0 Alas 4 ruedas (4B11)		Gasolina	4WD	1998	108	147	11.10-12.12	*
2.4 16V (SFZ (4B12 MMC))		Gasolina	4WD	2360	125	170	08.08-12.12	*
2.0 HDi 140		Diesel	RWD	1995	98	134	02.07-	*
2.2 HDi (4HK (DW12ME5))		Diesel	4WD	2179	115	156	02.07-12.12	*
2.2 HDi (4HN (DW12MTED4))		Diesel	4WD	2179	115	156	02.07-12.12	*
C-CROSSER ENTERPRISE (VU_, VV_) 01.09-					Furgoneta/SUV (Compact SUV-J Segment)			
2.4 16V (4B12)		Gasolina	4WD	2360	125	170	01.09-	*
2.2 HDi (4HN (DW12MTED4))		Diesel	4WD	2179	115	156	01.09-	*
DODGE								
AVENGER II 06.07-					Sedán (Sports car-S Segment)			
2.0 (ECN)		Gasolina	FWD	1998	115	156	06.07-12.11	*
2.4 (EDG)		Gasolina	FWD	2360	125	170	06.07-12.14	*
2.4 (ED3)		Gasolina	FWD	2360	129	175	06.07-12.14	*

LISTA DE APLICACIONES - BUYERS GUIDE

2.4 (EDG)		Gasolina	FWD	2360	129	175	06.07-12.14	*	
2.7 (EER)		Gasolina	FWD	2736	137	186	06.07-12.11	*	
2.7 Flex-Fuel		Gasolina	FWD	2736	141	192	06.07-12.10	*	
2.7		Gasolina	FWD	2736	142	193	09.07-12.09	*	
3.5 (EGF)		Gasolina	FWD	3518	175	238	06.07-12.09	*	
3.5 AWD (EGF)		Gasolina	4WD	3518	175	238	06.07-12.11	*	
3.5 AWD (EGJ)		Gasolina	4WD	3518	175	238	06.07-12.11	*	
2.7 Flex-Fuel (EER)		Gasol./Etanol	FWD	2736	139	189	06.07-12.09	*	
2.0 CRD (ECD)		Diesel	FWD	1968	103	140	06.07-12.11	*	
CALIBER 06.06-							[CAMBIADO]:Fastback (Compact car-C Segment)		
1.8 (EBA)		Gasolina	FWD	1798	110	150	06.06-12.09	*	
2.0 (ECN)		Gasolina	FWD	1998	115	156	06.06-	*	
2.4 (ED3)		Gasolina	FWD	2359	125	170	10.06-	*	
2.4 AWD (ED3)		Gasolina	4WD	2359	125	170	10.06-	*	
2.4 (ED3)		Gasolina	FWD	2359	126	172	10.06-	*	
2.4 Turbo (ED4)		Gasolina	FWD	2359	217	295	12.07-	*	
2.4 AWD		Gasolina	FWD	2360	128	174	09.06-12.07	*	
2.4		Gasolina	FWD	2360	213	290	09.07-12.09	*	
2.0 CRD (ECD)		Diesel	FWD	1968	88	120	06.06-11.11	*	
2.0 CRD (ECD)		Diesel	FWD	1968	100	136	06.06-11.11	*	
2.0 CRD (ECD)		Diesel	FWD	1968	103	140	06.06-	*	
2.0 CRD (ECE)		Diesel	FWD	1968	103	140	06.06-	*	
2.2 CRD (ENE)		Diesel	FWD	2143	120	163	07.10-11.11	*	
FIAT									
DOBLO II (263_) 11.09-							Bus (Minibus-M2-Segment)		
1.3 D Multijet (263AXU1A, 263AYB1A) (330 A1.000)		Diesel	FWD	1248	70	95	03.16-12.23	*	
HYUNDAI									
H-1 II / H-300 / iload (TQ) 09.07-							[CAMBIADO]:Furgón (LCVs-N1 Segment)		
2.4 i (G4KC)		Gasolina	RWD	2359	126	171	02.08-	*	
JEEP									
COMPASS (MK49) 08.06-							SUV (Compact SUV-J Segment)		
2.0 (ECN)		Gasolina	FWD	1998	115	156	05.11-	*	
2.0 (ECN)		Gasolina	FWD	1998	118	160	08.06-	*	
2.4 (ED3)		Gasolina	FWD	2360	125	170	08.06-	*	
2.4 (EDG)		Gasolina	FWD	2360	125	170	08.06-	*	
2.4 (ERZ)		Gasolina	FWD	2360	125	170	08.06-	*	
2.4 4x4 (ED3)		Gasolina	4WD	2360	125	170	09.06-	*	
2.4 4x4 (ERZ)		Gasolina	4WD	2360	125	170	09.06-	*	
2.0 CRD 4x4 (ECD)		Diesel	4WD	1968	88	120	02.07-	*	
2.0 CRD (ECD)		Diesel	FWD	1968	103	140	08.06-	*	
2.0 CRD (ECE)		Diesel	FWD	1968	103	140	08.06-	*	
2.0 CRD 4x4 (ECE)		Diesel	4WD	1968	103	140	09.06-	*	
2.2 CRD (ENE)		Diesel	FWD	2143	100	136	05.11-	*	
2.2 CRD 4x4 (ENE)		Diesel	4WD	2143	100	136	05.11-	*	
2.2 CRD 4x4 (OM 651.925)		Diesel	4WD	2143	120	163	12.10-	*	
PATRIOT (MK74) 02.07-							Closed SUV (Compact SUV-J Segment)		
2.0 (ECN)		Gasolina	FWD	1998	115	156	01.11-12.17	*	
2.0 4x4 (ECN)		Gasolina	4WD	1998	115	156	02.07-12.17	*	

LISTA DE APLICACIONES - BUYERS GUIDE

2.4 (ED3)		Gasolina	FWD	2360	125	170	06.09-12.17	*
2.4 (EDG)		Gasolina	FWD	2360	125	170	06.09-12.17	*
2.4 4x4 (ED3)		Gasolina	4WD	2360	125	170	01.08-12.17	*
2.4 4x4 (EDG)		Gasolina	4WD	2360	125	170	01.08-12.17	*
2.4 4x4 (ED3)		Gasolina	4WD	2360	128	174	02.07-12.17	*
2.4 Eco + 4x4 (ED3)		Gasol./Gas (LPG)	4WD	2360	125	170	07.08-12.17	*
2.0 CRD 4x4 (ECD)		Diesel	4WD	1968	88	120	02.07-12.17	*
2.0 CRD (ECD)		Diesel	FWD	1968	103	140	02.07-12.17	*
2.0 CRD (ECE)		Diesel	FWD	1968	103	140	02.07-12.17	*
2.0 CRD 4x4 (ECD)		Diesel	4WD	1968	103	140	02.07-12.17	*
2.0 CRD 4x4 (ECE)		Diesel	4WD	1968	103	140	02.07-12.17	*
2.2 CRD (ENE)		Diesel	FWD	2143	100	136	01.11-12.17	*
2.2 CRD 4x4 (ENE)		Diesel	4WD	2143	100	136	01.11-12.17	*
2.2 CRD 4x4 (ENE)		Diesel	4WD	2143	120	163	01.11-12.17	*
LANCIA								
FLAVIA III (JS_) 03.12-12.14						Cabrio (Executive car-E Segment)		
2.4 (JK, JS) (EDG)		Gasolina	FWD	2360	125	170	03.12-12.14	*
2.4 (JS) (EDG)		Gasolina	FWD	2360	129	175	03.12-12.14	*
MITSUBISHI								
ASX (GA_W_) 06.10-						Furgoneta/SUV (Compact SUV-J Segment)		
1.8 DI-D 4WD (4N13)		Diesel	4WD	1798	110	150	06.10-	*
ASX (GA_W_) 11.09-						SUV (Compact SUV-J Segment)		
1.6 MIVEC (GA1W) (4A92)		Gasolina	FWD	1590	85	116	05.10-	*
1.6 MIVEC (GA1W) (4A92)		Gasolina	FWD	1590	86	117	06.10-	*
1.8 (GA3W) (4B10)		Gasolina	FWD	1798	102	139	02.10-	*
1.8 4WD (GA3W)		Gasolina	4WD	1798	102	139	02.10-	*
2.0		Gasolina	FWD	1998	108	147	09.10-12.12	*
2.0 Flex		Gasolina	FWD	1998	110	150	06.10-	*
2.0 MIVEC (GA2W) (4B11)		Gasolina	FWD	1998	110	150	06.10-	*
2.0 MIVEC (GA2W) (4J11)		Gasolina	FWD	1998	110	150	06.10-	*
2.0 MIVEC 4WD (4B11)		Gasolina	4WD	1998	110	150	06.10-	*
2.0 MIVEC 4WD (4J11)		Gasolina	4WD	1998	110	150	06.10-	*
2.0 i 4WD		Gasolina	4WD	1998	114	155	01.10-	*
2.0 i		Gasolina	FWD	1998	118	160	06.10-	*
2.0 i 4WD		Gasolina	4WD	1998	118	160	06.10-	*
1.6 LPG		Gasol./Gas (LPG)	FWD	1590	86	117	06.10-	*
1.6 DI-D (9HD)		Diesel	FWD	1560	84	114	07.15-	*
1.6 DI-D 4WD (9HD)		Diesel	4WD	1560	84	114	07.15-	*
1.8 DI-D (GA6W) (4N13)		Diesel	FWD	1798	85	116	06.10-	*
1.8 DI-D 4WD (GA6W) (4N13)		Diesel	4WD	1798	85	116	06.10-	*
1.8 DI-D (GA6W) (4N13)		Diesel	FWD	1798	110	150	06.10-	*
1.8 DI-D 4WD (GA6W) (4N13)		Diesel	4WD	1798	110	150	06.10-	*
2.2 DI-D 4WD (GA8W) (4N14)		Diesel	4WD	2268	110	150	04.13-	*
ENDEAVOR / EXPO-LRV (D8_W, D7_W) 05.02-08.11						SUV (Executive SUV-J Segment)		
3.8 4WD (6G75)		Gasolina	4WD	3828	160	218	01.03-08.11	*
3.8 4WD (6G75)		Gasolina	4WD	3828	160	218	09.03-12.04	*
3.8 GDi		Gasolina	FWD	3828	160	218	01.03-08.11	*
3.8 (6G75)		Gasolina	FWD	3828	168	228	09.04-08.11	*

LISTA DE APLICACIONES - BUYERS GUIDE

GRANDIS (NA_W) 03.03-12.11					MPV (Large MPV-M1 Segment)			
2.4 MIVEC (NA4W) (4G69)		Gasolina	FWD	2378	121	165	04.04-12.11	*
2.4 MIVEC (NA4W) (4G69)		Gasolina	FWD	2378	130	177	04.04-12.11	*
2.0 DI-D (NA8W) (BSY)		Diesel	FWD	1968	100	136	09.05-03.10	*
2.0 DI-D (NA8W) (BWC)		Diesel	FWD	1968	103	140	02.07-03.10	*
LANCER V Cargo (CV_) 01.07-					[CAMBIADO]:Break (Compact car-C Segment)			
2.0 4WD		Gasolina	FWD	1998	177	241	09.10-12.11	*
LANCER V EX / GALANT FORTIS / LANCER SERIE R / LANCER FORTIS (CY_A, CZ_A) 03.07-					Sedán (Compact car-C Segment)			
2.0		Gasolina	FWD	1998	110	150	01.13-	*
2.0 i Ralliart 4WD (CY4A) (4B11-T/C)		Gasolina	4WD	1998	177	241	10.08-	*
EVO X (CZ4A)		Gasolina	FWD	1998	226	307	09.14-12.15	*
2.0 EVO X		Gasolina	4WD	1998	296	402	06.09-	*
2.4 AWD		Gasolina	FWD	2360	125	170	09.11-	*
LANCER V EX Sportback / GALANT FORTIS Sportback (CX_A) 10.07-					[CAMBIADO]:Fastback (Compact car-C Segment)			
2.0 i		Gasolina	FWD	1998	113	154	10.07-	*
2.0 Ralliart 4WD (CX4A) (4B11-T/C)		Gasolina	4WD	1998	177	241	10.08-	*
2.0 Ralliart		Gasolina	FWD	1998	184	250	08.11-	*
2.4 i		Gasolina	FWD	2360	125	170	10.08-	*
OUTLANDER II (CW_W) 12.06-11.12					[CAMBIADO]:Furgón (Compact SUV-J Segment)			
2.0 DI-D		Diesel	RWD	1968	103	140	12.06-11.12	*
2.2 DI-D		Diesel	RWD	2268	130	177	09.10-11.12	*
OUTLANDER II (CW_W) 11.06-12.12					Furgoneta/SUV (Compact SUV-J Segment)			
Di-D 4WD (CW8W)		Diesel	4WD	1968	103	140	12.06-06.10	*
Di-D 4WD (CW1W)		Diesel	4WD	2268	130	177	09.10-12.12	*
OUTLANDER II (CW_W) 09.05-12.12					SUV (Compact SUV-J Segment)			
2.0 (CW4W) (4B11)		Gasolina	FWD	1998	108	147	11.06-11.12	*
2.0 4WD (4B11)		Gasolina	4WD	1998	108	147	11.06-11.12	*
2.0		Gasolina	FWD	1998	118	160	06.09-11.12	*
2.4 (CW5W) (4B12)		Gasolina	FWD	2360	125	170	11.06-11.12	*
2.4 4WD (CW5W) (4B12)		Gasolina	4WD	2360	125	170	09.07-11.12	*
3.0		Gasolina	FWD	2998	162	220	11.06-11.12	*
3.0 4WD (CW6W) (6B31)		Gasolina	4WD	2998	162	220	11.06-11.12	*
3.0		Gasolina	FWD	2998	164	223	11.06-12.09	*
3.0 AWD (6B31)		Gasolina	4WD	2998	164	223	11.06-12.13	*
3.0 4WD (CW6W) (6B31)		Gasolina	4WD	2998	169	230	09.10-12.12	*
3.0		Gasolina	FWD	2998	172	234	09.09-12.12	*
3.0 AWD		Gasolina	4WD	2998	172	234	09.09-11.12	*
3.0		Gasolina	FWD	2998	177	241	10.09-11.12	*
2.4 Flex 4WD (4B12)		Gasol./Etanol	4WD	2360	125	170	09.07-11.12	*
2.0 DI-D (CW8W) (BSY)		Diesel	4WD	1968	103	140	02.07-11.12	*
2.2 DI-D 4WD (4HK)		Diesel	4WD	2179	115	156	08.07-11.12	*
2.2 DI-D 4WD (4HN)		Diesel	4WD	2179	115	156	08.07-11.12	*
2.2 DI-D 4WD (4N14)		Diesel	4WD	2268	103	140	09.10-11.12	*
2.2 DI-D (4N14)		Diesel	FWD	2268	130	177	11.06-11.12	*
2.2 DI-D 4WD (4N14)		Diesel	4WD	2268	130	177	11.06-11.12	*
OUTLANDER III / PHEV III (GG_W, GF_W, ZJ, ZL, ZK) 11.10-					SUV (Compact SUV-J Segment)			
2.0 (GF7W)		Gasolina	FWD	1998	118	160	03.13-12.18	*

LISTA DE APLICACIONES - BUYERS GUIDE

2.4 (GF8W) (4B12)		Gasolina	FWD	2360	124	169	08.12-12.22	*	
2.4 (GF8W) (4J12)		Gasolina	FWD	2360	124	169	08.12-12.22	*	
3.0 GT		Gasolina	FWD	2998	167	227	08.12-	*	
3.0 GT 4WD (6B31)		Gasolina	4WD	2998	167	227	08.12-12.22	*	
PAJERO II / MONTERO / PAJERO SFX / SHOGUN (V3_W, V2_W, V4_W, V5_W) 12.90-05.01					Closed SUV (Executive SUV-J Segment)				
2.4 (V21W) (4G64 (12V))		Gasolina	4WD	2351	82	112	04.91-10.99	*	
3.0 V6 24V (V43W, V23W) (6G72 (SOHC 24V))		Gasolina	4WD	2972	130	177	06.97-10.99	*	
2.5 TD 4WD (V24W) (4D56-TD)		Diesel	4WD	2477	73	99	12.90-10.99	*	
2.8 TD (V46W, V26W) (4M40-T)		Diesel	4WD	2835	92	125	06.94-10.99	*	
PAJERO II / MONTERO / SHOGUN (V3_W) 04.00-09.07					Closed SUV (Luxury Crossover SUV-J Segment)				
3.2 DiD 4WD (4M41)		Diesel	4WD	3200	121	165	04.00-09.07	*	
PAJERO II / MONTERO / SHOGUN (V2_C, V4_C) 12.90-04.00					Open SUV (Executive SUV-J Segment)				
1.8 GDI		Gasolina	4WD	1834	96	131	06.98-04.00	*	
2.4 (V21C) (4G64 (12V))		Gasolina	4WD	2351	82	112	04.91-04.00	*	
3.0 V6 24V (V23C) (6G72 (SOHC 24V))		Gasolina	4WD	2972	130	177	06.94-04.00	*	
3.0 V6 24V (V23C) (6G72 (SOHC 24V))		Gasolina	4WD	2972	133	181	06.94-04.00	*	
2.5 TD 4WD (V24C) (4D56-TD)		Diesel	4WD	2477	73	99	12.90-04.00	*	
PAJERO II CLASSIC / MONTERO CLASSIC / SHOGUN CLASSIC (V2_W, V6_W, V7_W) 07.01-					Closed SUV (Luxury Crossover SUV-J Segment)				
3.0 (V72W, V83W, V93W)		Gasolina	4WD	2972	131	178	09.06-	*	
3.0 ZR (V72W)		Gasolina	4WD	2972	132	179	08.03-	*	
3.8 (V77W)		Gasolina	RWD	3828	160	218	06.02-08.06	*	
3.8 A las 4 ruedas (V77W) (6G75)		Gasolina	4WD	3828	160	218	06.02-	*	
3.8 A las 4 ruedas (V67W)		Gasolina	4WD	3828	184	250	09.06-	*	
2.5 TD (V24W) (4D56-T)		Diesel	4WD	2477	85	115	07.01-	*	
3.2 DI-D		Diesel	RWD	3200	118	160	05.05-	*	
3.2 DI-D (V68W, V78W) (4M41)		Diesel	4WD	3200	125	170	09.06-	*	
PAJERO III / MONTERO / SHOGUN (V7_W, V6_W) 01.99-09.07					Closed SUV (Luxury Crossover SUV-J Segment)				
2.4		Gasolina	4WD	2351	82	112	10.01-01.07	*	
3.0 V6 24V (V63W, V73W)		Gasolina	4WD	2972	133	181	04.00-12.06	*	
3.5 (V75W)		Gasolina	4WD	3497	140	190	04.00-04.04	*	
3.5 (V65W, V75W) (6G74 (DOHC 24V))		Gasolina	4WD	3497	149	203	04.00-01.07	*	
3.5 i (V75W, V65W)		Gasolina	4WD	3497	162	220	09.03-10.06	*	
3.8 (V77W)		Gasolina	4WD	3828	150	204	09.03-10.06	*	
3.8 (V67W) (6G75)		Gasolina	4WD	3828	184	250	03.03-01.07	*	
2.5 TDi (V64W) (4D56-T)		Diesel	4WD	2477	73	99	04.00-12.06	*	
2.5 TDi (V64W, V74W) (4D56-T)		Diesel	4WD	2477	85	115	09.01-12.06	*	
2.5 TDi 4WD		Diesel	4WD	2477	98	133	07.01-09.07	*	
3.2 DI-D (V68W) (4M41)		Diesel	4WD	3200	118	160	04.00-12.06	*	
3.2 DI-D (V68W, V78W) (4M41)		Diesel	4WD	3200	121	165	04.00-10.06	*	
3.2 DI-D		Diesel	4WD	3200	129	175	04.00-01.07	*	
PAJERO III / MONTERO / SHOGUN (V6_W, V7_W) 02.00-12.06					Open SUV (Luxury Crossover SUV-J Segment)				
2.4		Gasolina	4WD	2351	82	112	10.01-12.06	*	
2.4		Gasolina	FWD	2351	82	112	10.01-08.06	*	
3.0 (V73W) (6G72 (SOHC 24V))		Gasolina	4WD	2972	125	170	10.01-12.06	*	
3.5 GDi 4WD (V75W)		Gasolina	4WD	3497	125	170	10.01-12.06	*	
3.5 i		Gasolina	FWD	3497	140	190	05.00-04.04	*	
3.5 V6 GDI (V65W, V75W) (6G74 (GDI))		Gasolina	4WD	3497	149	203	04.00-12.06	*	
3.8 i 4WD (V60/V70)		Gasolina	4WD	3828	149	203	09.03-10.06	*	

LISTA DE APLICACIONES - BUYERS GUIDE

2.5 TDi (V64W, V74W) (4D56-T)		Diesel	4WD	2477	73	99	04.00-12.06	*	
2.5 TDi (V64W, V74W) (4D56-T)		Diesel	4WD	2477	85	115	09.01-12.06	*	
2.8 TD 4WD (V60/V70)		Diesel	4WD	2835	92	125	05.00-07.02	*	
3.2 DI-D (V68W, V78W) (4M41)		Diesel	4WD	3200	118	160	10.01-12.06	*	
3.2 D		Diesel	RWD	3200	121	165	04.00-12.06	*	
3.2 DI-D (V68W, V78W) (4M41)		Diesel	4WD	3200	121	165	04.00-12.06	*	
PAJERO IV / MONTERO / SHOGUN (V9_, V8_, V8_V) 11.06-							Furgoneta/Closed SUV (Luxury Crossover SUV-J Segment)		
3.2 DI-D (4M41)		Diesel	4WD	3200	118	160	11.06-	*	
3.2 DI-D 4WD (V88W, V98W) (4M41)		Diesel	4WD	3200	140	190	02.07-	*	
3.2 TD 4WD (V88V, V98V) (4M41)		Diesel	4WD	3200	147	200	01.10-	*	
PAJERO IV FULL / MONTERO / SHOGUN (V8_W, V9_W) 10.06-							SUV (Luxury Crossover SUV-J Segment)		
3.0 4WD (V83W, V93W) (6G72 (SOHC 24V))		Gasolina	4WD	2972	131	178	02.07-	*	
3.2 DI-D		Gasolina	FWD	3200	153	208	01.09-	*	
3.5 4WD		Gasolina	FWD	3497	147	200	11.13-	*	
3.5 Flex 4WD		Gasolina	FWD	3497	151	205	08.09-	*	
3.8 i 4WD (V97W, V87W) (6G75)		Gasolina	4WD	3828	175	238	01.09-	*	
3.8 V6 (V87W) (6G75)		Gasolina	4WD	3828	182	248	10.06-	*	
3.8 V6 (V87W, V97W) (6G75)		Gasolina	4WD	3828	184	250	02.07-	*	
3.2 DI-D (V88W, V98W) (4M41)		Diesel	4WD	3200	118	160	02.07-	*	
3.2 DI-D 4WD (4M41)		Diesel	4WD	3200	121	165	11.08-	*	
3.2 DI-D (4M41)		Diesel	4WD	3200	123	167	02.07-	*	
3.2 DI-D GLS (4M41)		Diesel	4WD	3200	124	169	02.07-	*	
3.2 DI-D (V88W, V98W) (4M41)		Diesel	4WD	3200	125	170	02.07-	*	
3.2 DI-D 4WD (V98W, V88W) (4M41)		Diesel	4WD	3200	140	190	02.07-	*	
3.2 DI-D 4WD (V98W, V88W) (4M41)		Diesel	4WD	3200	147	200	01.09-	*	
3.2 DI-D 4WD (V98W)		Diesel	4WD	3200	149	203	01.12-	*	
PAJERO PININ / PAJERO IO / MONTERO IO / SHOGUN PININ (H6_W, H7_W) 01.99-06.07							Closed SUV (Executive SUV-J Segment)		
3.2 DiD (4M41)		Diesel	4WD	3200	118	160	09.99-09.06	*	
PAJERO SPORT II / PAJERO DAKAR / CHALLENGER / MONTERO SPORT / NATIVA (KH_, KG_) 01.08-							Closed SUV (Executive SUV-J Segment)		
3.2 DI-D 4WD		Diesel	4WD	3200	132	180	11.13-12.18	*	
PEUGEOT									
4007 (VU_, VV_) 02.07-03.13							Furgoneta/SUV (Compact SUV-J Segment)		
HDi 155 (VU4HNNH, VV4HK8)		Diesel	4WD	2179	115	156	02.07-03.13	*	
4007 (VU_, VV_) 02.07-							SUV (Compact SUV-J Segment)		
2.0 (4B11)		Gasolina	FWD	1998	108	147	11.10-03.13	*	
2.0 4x4 (4B11)		Gasolina	4WD	1998	108	147	11.10-03.13	*	
2.4 16V (SFY (4B12-MMC))		Gasolina	4WD	2360	125	170	02.07-03.13	*	
2.4 16V (SFZ (4B12-MMC))		Gasolina	4WD	2360	125	170	02.07-03.13	*	
2.0 HDi 140		Diesel	RWD	1995	98	134	02.07-	*	
2.2 HDi (4HK (DW12ME5))		Diesel	4WD	2179	115	156	02.07-03.13	*	
2.2 HDi (4HN (DW12MTED4))		Diesel	4WD	2179	115	156	02.07-03.13	*	
4008 05.12-							SUV (Mini SUV-J Segment)		
1.6		Gasolina	FWD	1590	86	117	05.12-	*	
2.0 (4B11)		Gasolina	FWD	1998	110	150	05.13-	*	
2.0 AWC (4B11)		Gasolina	4WD	1998	110	150	05.12-	*	
1.6 HDi (9HD (DV6C))		Diesel	FWD	1560	84	114	05.12-	*	
1.6 HDi AWC (9HD (DV6C))		Diesel	4WD	1560	84	114	05.12-	*	
1.6 HDi		Diesel	RWD	1560	85	116	05.12-	*	

LISTA DE APLICACIONES - BUYERS GUIDE

1.8 HDi	Diesel	FWD	1798	110	150	05.12-	*
1.8 HDi AWC (6HZ (4N13))	Diesel	4WD	1798	110	150	05.12-	*