

# LISTA DE APLICACIONES - BUYERS GUIDE

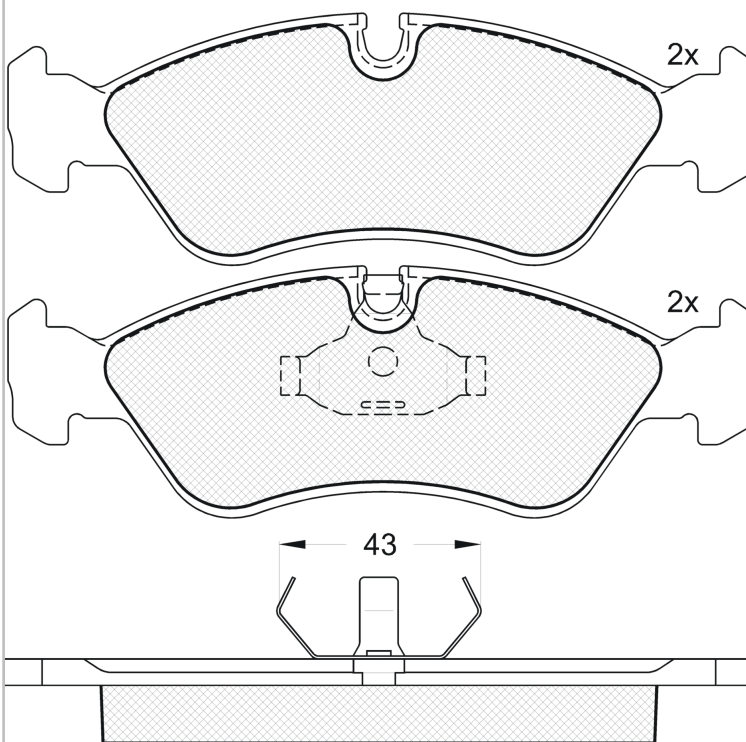
## RB1366



Qty: 300

Weight: 1.440

O.E.M.	MAKE
1104 6152	DAEWOO
1104 6152 XX2	DAEWOO
1104 6952 012	DAEWOO
9628 1939	DAEWOO



## RB1366

**E1** 90R-01101/178



Ate - Teves

156.5x52.6x17.5

WVA	FMSI
21190	D796-7666
21201	

Sin Filas



	Trac.	CC	Kw	CV			Front / Rear
--	-------	----	----	----	--	--	--------------

### DAEWOO

#### ARANOS 01.95-11.97

#### Sedán (Executive car-E Segment)

Model	Engine	Trac.	CC	Kw	CV	Period	Notes
1.5 (V15L)	Gasolina	FWD	1498	66	90	01.95-11.97	*
1.8 (Y18L)	Gasolina	FWD	1796	70	95	01.95-11.97	*
2.0 (C20LE)	Gasolina	FWD	1998	77	105	01.95-11.97	*

#### CIELO 06.94-12.07

#### Sedán (Supermini car-B Segment)

1.5 (Y15L)	Gasolina	FWD	1498	55	75	04.95-12.02	*
1.5 (V15L)	Gasolina	FWD	1498	66	90	06.94-07.98	*

#### CIELO LOAD RUNNER 02.96-08.97

#### Furgón/hatchback (LCVs-N1 Segment)

1.5	Gasolina	FWD	1498	55	75	02.96-08.97	*
-----	----------	-----	------	----	----	-------------	---

#### ESPERO (KLEJ) 10.91-09.99

#### Sedán (Executive car-E Segment)

1.5	Gasolina	FWD	1498	55	75	10.97-09.99	*
1.5 16V (A15MF)	Gasolina	FWD	1498	65	88	10.93-09.94	*
1.5 16V (A15MF)	Gasolina	FWD	1498	66	90	02.95-06.99	*
1.8 (C18LE)	Gasolina	FWD	1796	66	90	02.95-09.99	*
1.8 (C18LE)	Gasolina	FWD	1796	70	95	02.95-06.99	*
2.0 (C20LZ)	Gasolina	FWD	1998	74	101	10.91-09.93	*
2.0 (C20LE)	Gasolina	FWD	1998	77	105	02.95-06.99	*
2.0 (C20LE)	Gasolina	FWD	1998	81	110	10.93-12.97	*

#### LANOS (KLAT) 02.97-

#### Sedán (Supermini car-B Segment)

1.6 16V (L44(98CUL4))	Gasolina	FWD	1598	78	106	02.97-	*
-----------------------	----------	-----	------	----	-----	--------	---

#### LANOS / SENS (KLAT) 04.97-

#### [CAMBIADO]:Fastback (Supermini car-B Segment)

1.6 16V (L44(98CUL4))	Gasolina	FWD	1598	78	106	05.97-	*
-----------------------	----------	-----	------	----	-----	--------	---

## LISTA DE APLICACIONES - BUYERS GUIDE

<b>NEXIA / CIELO 02.95-08.97</b>					<b>[CAMBIADO]:Fastback (Supermini car-B Segment)</b>			
1.5 16V (08, 68) (A15MF)	Gasolina	FWD	1498	66	90	02.95-08.97	*	
<b>NEXIA / CIELO 02.95-06.08</b>					<b>Sedán (Supermini car-B Segment)</b>			
1.5 16V (19) (A15MF)	Gasolina	FWD	1498	66	90	02.95-08.97	*	
<b>PRINCE (J19) 08.90-08.99</b>					<b>Sedán (Executive car-E Segment)</b>			
1.8 (C18LE)	Gasolina	RWD	1796	76	103	08.93-08.98	*	