

LISTA DE APLICACIONES - BUYERS GUIDE

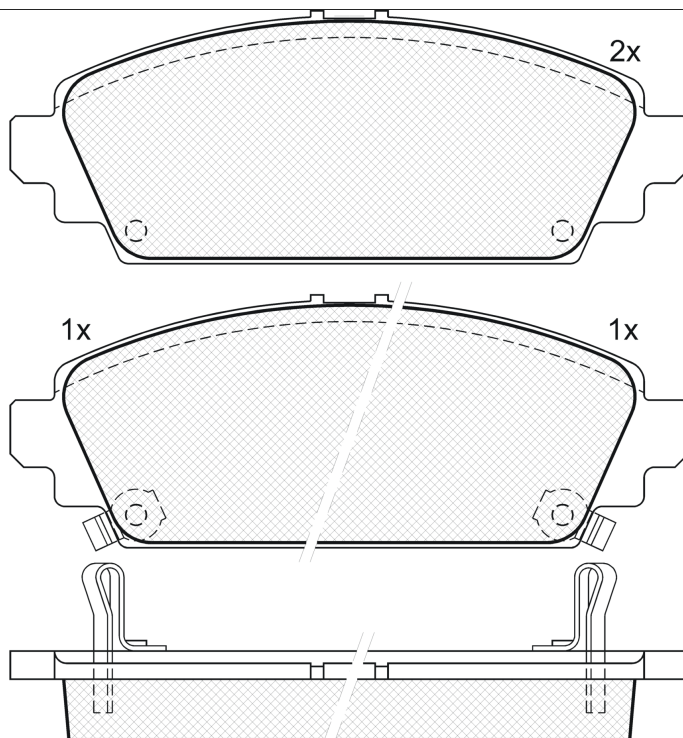
RB1359-701



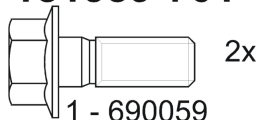
Qty: 300

Weight: 1.395

O.E.M.	MAKE
45022-S1A-E61	HONDA
45022-S1A-E62	HONDA
45022-S1A-E63	HONDA
45022-S1A-E80	HONDA
45022-S6F-305	HONDA
45022-S6F-E50	HONDA



181359-701



RB1359-701



E 9 90R-01111/193

Lucas - Girling

131.6x49.2x16.8

WVA
23096
23097
23528
23529

Sin Filas



Trac.	CC	Kw	CV
-------	----	----	----



Front / Rear

HONDA

ACCORD VI (CH, CL) 12.99-12.02						[CAMBIADO]:Fastback (Executive car-E Segment)			
1.6 (CH5) (D16B6)		Gasolina	FWD	1590	85	116	12.99-12.02	*	
ACCORD VI (CK, CG, CH, CF, CL) 03.97-12.03						Sedán (Executive car-E Segment)			
1.6 LS (CG7) (D16B7)		Gasolina	FWD	1590	79	107	10.98-12.02	*	
1.6 i (CG7) (D16B6)		Gasolina	FWD	1590	85	116	10.98-12.02	*	
ACCORD VI Aerodeck (CF) 07.97-09.05						[CAMBIADO]:Break (Executive car-E Segment)			
1.6		Gasolina	FWD	1598	65	88	10.98-12.02	*	
CIVIC VII (EU, EP, EV) 01.00-02.06						[CAMBIADO]:Fastback (Compact car-C Segment)			
1.7 CTDi (EP4, EU9) (4EE-2)		Diesel	FWD	1686	74	100	01.02-09.05	*	