


LISTA DE APLICACIONES - BUYERS GUIDE

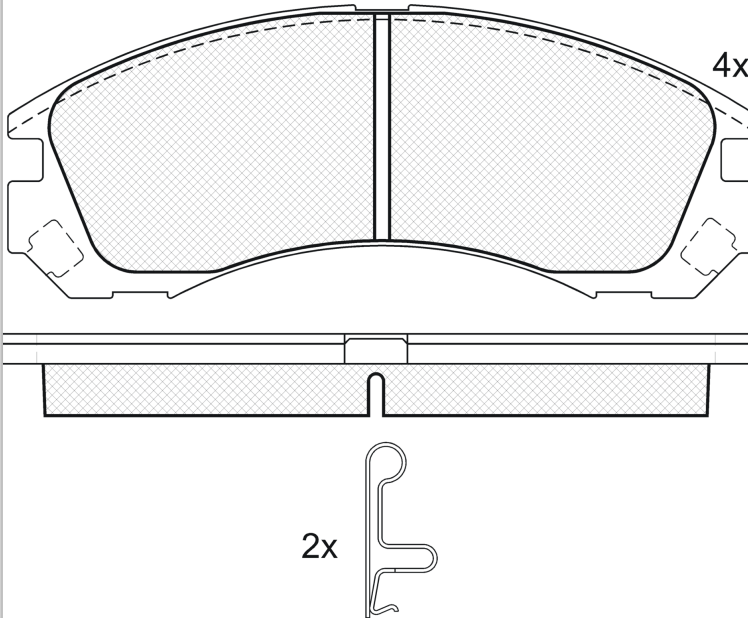
RB1358



8 424073 129475

Qty: 300 Weight: 1.847


O.E.M.	MAKE
16 092 527 80	CITROËN
16 203 684 80	PEUGEOT
4253.87	PEUGEOT
4253.88	CITROËN
4254.30	CITROËN
46 05B 804	MITSUBISHI
MN 102 611	MITSUBISHI
MN 116 923	MITSUBISHI
MR 289 610	MITSUBISHI
MR 294 060	MITSUBISHI
MR 389 549	MITSUBISHI
MR 493 985	MITSUBISHI
MR 569 592	MITSUBISHI
MR 569 597	MITSUBISHI
MZ 690 349	MITSUBISHI
MZ 690 579	MITSUBISHI



1 - Ref. 610267 E

RB1358

E1 90R-01101/154





Akebono

149.9x58.7x16

WVA 21370	FMSI D723-7412
---------------------	--------------------------

Sin Filas



Trac.	CC	Kw	CV		
Front / Rear					

CITROËN

C-CROSSER (VU_) 02.07-12.12				Furgoneta/SUV (Compact SUV-J Segment)					
2.2 HDi (VU4HNNH)	Diesel	4WD	2179	115	156	06.07-12.12	*		
C-CROSSER (VU_, VV_) 02.07-				SUV (Compact SUV-J Segment)					
2.0 (4B11)	Gasolina	FWD	1998	108	147	11.10-12.12	*		
2.0 Alas 4 ruedas (4B11)	Gasolina	4WD	1998	108	147	11.10-12.12	*		
2.4 16V (SFZ (4B12 MMC))	Gasolina	4WD	2360	125	170	08.08-12.12	*		
2.0 HDi 140	Diesel	RWD	1995	98	134	02.07-	*		
2.2 HDi (4HK (DW12ME5))	Diesel	4WD	2179	115	156	02.07-12.12	*		
2.2 HDi (4HN (DW12MTED4))	Diesel	4WD	2179	115	156	02.07-12.12	*		
C-CROSSER ENTERPRISE (VU_, VV_) 01.09-				Furgoneta/SUV (Compact SUV-J Segment)					
2.4 16V (4B12)	Gasolina	4WD	2360	125	170	01.09-	*		
2.2 HDi (4HN (DW12MTED4))	Diesel	4WD	2179	115	156	01.09-	*		

MITSUBISHI

DELICA / SPACE GEAR 01.94-01.07				Bus (Minibus-M2-Segment)					
2.4 A las 4 ruedas (PD4W) (4G64 (16V))	Gasolina	4WD	2351	97	132	05.95-05.00	*		
2.5 (4D56-TD)	Diesel	RWD	2477	73	99	05.95-05.00	*		
2.5 (PD5W) (4D56-TD)	Diesel	4WD	2477	73	99	05.95-05.00	*		
DIAMANTE (F_W) 06.92-03.99				[CAMBIADO]:Break (Luxury car-F Segment)					
3.0 (F36W) (6G72 (SOHC 24V))	Gasolina	FWD	2972	140	190	10.97-12.01	*		
3.5	Gasolina	FWD	3497	157	214	06.92-03.98	*		
3.5	Gasolina	FWD	3497	157	214	06.92-03.98	*		
3.5 (KE8H, KF8H)	Gasolina	FWD	3497	163	222	04.96-03.99	*		

LISTA DE APLICACIONES - BUYERS GUIDE

DIAMANTE (F2_A, F1_A) 02.90-07.96					Sedán (Luxury car-F Segment)			
2.5 (F13A, F15A)		Gasolina	FWD	2497	129	175	05.90-07.96	*
3.0		Gasolina	FWD	2972	177	241	10.95-07.96	*
3.5		Gasolina	FWD	3497	157	214	10.95-07.96	*
DIAMANTE II (F4_A, F3_A) 11.94-11.05					Sedán (Luxury car-F Segment)			
2.5 (F31A) (6G73)		Gasolina	FWD	2497	147	200	09.99-08.04	*
2.5 (F34A)		Gasolina	FWD	2498	125	170	09.03-11.05	*
2.5 (F34A) (6A13)		Gasolina	FWD	2498	151	205	09.03-11.05	*
3.0 (F36A)		Gasolina	FWD	2972	140	190	06.99-09.02	*
3.0 (F36A)		Gasolina	FWD	2972	177	241	10.01-08.04	*
3.0 4WD (F46A)		Gasolina	4WD	2972	177	241	10.01-08.04	*
3.5		Gasolina	FWD	3497	157	214	10.02-11.05	*
3.5 (KJ9H, KL9H, KW9H)		Gasolina	FWD	3497	157	214	10.02-11.05	*
3.5		Gasolina	FWD	3497	163	222	06.99-09.02	*
3.5		Gasolina	FWD	3497	163	222	06.99-09.02	*
ECLIPSE III (D5_A) 05.99-12.05					Cabrió (Executive car-E Segment)			
3.0 (6G72 (SOHC 24V))		Gasolina	FWD	2972	149	203	05.99-03.05	*
3.0 (6G72 (SOHC 24V))		Gasolina	FWD	2972	157	213	05.99-03.05	*
ECLIPSE III (D5_A) 04.99-12.05					Coupé (Executive car-E Segment)			
3.0 (6G72 (SOHC 24V))		Gasolina	FWD	2972	149	203	05.99-03.05	*
3.0 (6G72 (SOHC 24V))		Gasolina	FWD	2972	157	213	05.99-03.05	*
GALANT VIII / ASPIRE (EA_) 09.96-10.04					Sedán (Executive car-E Segment)			
2.5 V6 24V (EC5A) (6A13TT)		Gasolina	4WD	2498	206	280	09.96-10.02	*
3.0 (EA8A) (6G72 (SOHC 24V))		Gasolina	FWD	2972	152	207	01.99-12.03	*
GALLOPER (JK-01) 09.98-12.03					Closed SUV (Compact SUV-J Segment)			
3.0 V6 (G6AT)		Gasolina	4WD	2972	104	141	09.98-12.03	*
2.5 TD (D4BF)		Diesel	4WD	2476	65	88	09.98-12.03	*
2.5 TD intercooler (D4BH)		Diesel	4WD	2476	73	99	09.98-12.03	*
GRANDIS / SPACE WAGON (N9_, N8_) 11.97-05.03					MPV (Large MPV-M1 Segment)			
2.0		Gasolina	FWD	1997	77	105	11.97-05.03	*
2.4 GDi GLX (N84W)		Gasolina	FWD	2351	108	147	08.00-05.03	*
2.4 GDi GLX 4WD (N94W)		Gasolina	4WD	2351	108	147	08.00-05.03	*
2.4 GDi GLX (N84W)		Gasolina	FWD	2351	110	150	11.97-07.00	*
2.4 GDi GLX 4WD (N94W)		Gasolina	4WD	2351	110	150	11.97-07.00	*
3.0 GLX 4WD (N96W)		Gasolina	4WD	2972	158	215	05.00-05.03	*
L400 (PD_W, PC_W, PB_V, PA_W, PA_V) 12.94-04.07					[CAMBIADO]:Furgón (LCVs-N1 Segment)			
2.4 (PA4W) (4G64 (16V))		Gasolina	RWD	2351	97	132	06.96-02.06	*
2500 TD (PD5W, PD5V, PA5W, PA5V) (4D56-T)		Diesel	RWD	2477	64	87	09.96-06.05	*
2500 TD 4WD (PD5W, PD5V, PA5W, PA5V) (4D56-T)		Diesel	4WD	2477	64	87	09.96-06.05	*
L400 / SPACE GEAR (PD_W, PC_W, PA_V, PB_V, PA_W) 06.94-04.07					Bus (Minibus-M2-Segment)			
2.0 16V (PA3V/W, PB3V, PA3W) (4G63 (SOHC 16V))		Gasolina	RWD	1997	85	115	05.95-05.00	*
2.4 (PA4W) (4G64 (16V))		Gasolina	RWD	2351	94	128	09.96-06.05	*
2.4 4WD (PD4W) (4G64 (16V))		Gasolina	4WD	2351	94	128	09.96-06.05	*
2.4 (PA4W) (4G64 (16V))		Gasolina	RWD	2351	97	132	05.95-10.02	*
2.4 i 4WD (PD4V/W) (4G64 (16V))		Gasolina	4WD	2351	97	132	05.95-05.00	*
2500 TD (PA5W) (4D56-T)		Diesel	RWD	2477	64	87	05.95-06.05	*

LISTA DE APLICACIONES - BUYERS GUIDE

LANCER III / LIBERO (CB_A, CD_A, CE_A) 07.91-12.96					Sedán (Supermini car-B Segment)			
EVO I (CD9A) (4G63 TURBO)	Gasolina	4WD	1997	184	250	10.92-12.93	*	
EVO II (CE9A) (4G63 TURBO)	Gasolina	4WD	1997	192	261	01.94-07.95	*	
EVO III (CE9A) (4G63 TURBO)	Gasolina	4WD	1997	198	269	08.95-07.96	*	
LANCER II-III (C6_A, C7_A) 04.88-12.97					Sedán (Supermini car-B Segment)			
EVO IV (CN9A) (4G63 TURBO)	Gasolina	4WD	1997	206	280	08.96-12.97	*	
LANCER III-IV (CJ_, CP_, CK_) 09.95-12.03					Sedán (Compact car-C Segment)			
1.8 16V (4G93T)	Gasolina	FWD	1834	151	205	09.95-08.03	*	
EVO V (CP9A) (4G63 TURBO)	Gasolina	4WD	1997	206	280	01.98-12.98	*	
EVO VI (CP9A) (4G63 TURBO)	Gasolina	4WD	1997	206	280	01.99-02.01	*	
LANCER IV / CEDIA (CS_A, CT_A) 01.00-12.13					Sedán (Compact car-C Segment)			
EVO IX (CT9A) (4G63 TURBO)	Gasolina	4WD	1997	213	290	08.05-09.06	*	
OUTLANDER II (CW_W) 12.06-11.12					[CAMBIADO]:Furgón (Compact SUV-J Segment)			
2.0 DI-D	Diesel	RWD	1968	103	140	12.06-11.12	*	
2.2 DI-D	Diesel	RWD	2268	130	177	09.10-11.12	*	
OUTLANDER II (CW_W) 11.06-12.12					Furgoneta/SUV (Compact SUV-J Segment)			
Di-D 4WD (CW8W)	Diesel	4WD	1968	103	140	12.06-06.10	*	
Di-D 4WD (CW1W)	Diesel	4WD	2268	130	177	09.10-12.12	*	
OUTLANDER II (CW_W) 09.05-12.12					SUV (Compact SUV-J Segment)			
2.0 (CW4W) (4B11)	Gasolina	FWD	1998	108	147	11.06-11.12	*	
2.0 4WD (4B11)	Gasolina	4WD	1998	108	147	11.06-11.12	*	
2.0	Gasolina	FWD	1998	118	160	06.09-11.12	*	
2.4 (CW5W) (4B12)	Gasolina	FWD	2360	125	170	11.06-11.12	*	
2.4 4WD (CW5W) (4B12)	Gasolina	4WD	2360	125	170	09.07-11.12	*	
3.0	Gasolina	FWD	2998	162	220	11.06-11.12	*	
3.0 4WD (CW6W) (6B31)	Gasolina	4WD	2998	162	220	11.06-11.12	*	
3.0 AWD (6B31)	Gasolina	4WD	2998	164	223	11.06-12.13	*	
3.0 4WD (CW6W) (6B31)	Gasolina	4WD	2998	169	230	09.10-12.12	*	
3.0	Gasolina	FWD	2998	177	241	10.09-11.12	*	
2.4 Flex 4WD (4B12)	Gasol./Etanol	4WD	2360	125	170	09.07-11.12	*	
2.0 DI-D (CW8W) (BSY)	Diesel	4WD	1968	103	140	02.07-11.12	*	
2.2 DI-D 4WD (4HK)	Diesel	4WD	2179	115	156	08.07-11.12	*	
2.2 DI-D 4WD (4HN)	Diesel	4WD	2179	115	156	08.07-11.12	*	
2.2 DI-D 4WD (4N14)	Diesel	4WD	2268	103	140	09.10-11.12	*	
2.2 DI-D (4N14)	Diesel	FWD	2268	130	177	11.06-11.12	*	
2.2 DI-D 4WD (4N14)	Diesel	4WD	2268	130	177	11.06-11.12	*	
OUTLANDER / AIRTREK (CU_W) 03.01-07.08					SUV (Compact SUV-J Segment)			
2.0 4WD (CU2W)	Gasolina	4WD	1997	93	126	05.03-10.06	*	
2.0 (CU2W) (4G63 (DOHC 16V))	Gasolina	FWD	1997	100	136	05.03-10.06	*	
2.0 4WD (CU2W) (4G63 (DOHC 16V))	Gasolina	4WD	1997	100	136	05.03-10.06	*	
2.0 Turbo 4WD (CU2W) (4G63-T (DOHC 16V))	Gasolina	4WD	1997	148	201	04.04-10.06	*	
2.0 Turbo-R 4WD (CU2W) (4G63 TURBO)	Gasolina	4WD	1997	177	241	01.02-10.06	*	
2.4 4WD (CU4W) (4G64 (16V))	Gasolina	4WD	2351	102	139	05.03-10.06	*	
2.4 4WD (CU5W) (4G69)	Gasolina	4WD	2378	118	160	11.03-09.07	*	
2.4 HDD Mivec (CU5W) (4G69)	Gasolina	FWD	2378	118	160	03.01-12.06	*	
2.4 4WD (CU5W) (4G69)	Gasolina	4WD	2378	119	162	05.03-09.07	*	

LISTA DE APLICACIONES - BUYERS GUIDE

OUTLANDER III / PHEV III (GF_W, GG_W) 04.13-					[CAMBIADO]:Furgón (Compact SUV-J Segment)			
2.2 DI-D		Diesel	RWD	2268	110	150	04.13-	*
OUTLANDER III / PHEV III (GF_W, GG_W) 11.10-					Furgoneta/SUV (Compact SUV-J Segment)			
Di-D 4WD (GF6W)		Diesel	4WD	2268	110	150	04.13-	*
OUTLANDER III / PHEV III (GG_W, GF_W, ZJ, ZL, ZK) 11.10-					SUV (Compact SUV-J Segment)			
2.0 (4B11)		Gasolina	FWD	1998	105	143	10.12-12.22	*
2.0		Gasolina	FWD	1998	106	144	10.12-	*
2.0 (GF2W) (4B11)		Gasolina	FWD	1998	107	146	10.12-12.22	*
2.0 4WD (GF7W, GF2W) (4B11)		Gasolina	4WD	1998	107	146	10.12-12.22	*
2.0 (GF7W) (4J11)		Gasolina	FWD	1998	110	150	08.12-12.22	*
2.0 4WD (GF7W) (4J11)		Gasolina	4WD	1998	110	150	08.12-12.22	*
2.0 (GF7W) (4J11)		Gasolina	FWD	1998	112	152	04.13-12.22	*
2.0 (GF7W)		Gasolina	FWD	1998	118	160	03.13-12.18	*
2.4 4WD (4B12)		Gasolina	4WD	2360	123	167	10.12-12.22	*
2.4 4WD (GF8W) (4B12)		Gasolina	4WD	2360	124	169	10.12-12.22	*
2.4 4WD (GF8W) (4J12)		Gasolina	4WD	2360	124	169	10.12-12.22	*
3.0 4WD (6B31)		Gasolina	4WD	2998	169	230	03.14-12.22	*
2.0 Hybrid 4WD (GG2W) (4B11)		Gasol./el éc.	4WD	1998	89	121	12.12-	*
2.0 Hybrid 4WD (GG2W) (S61)		Gasol./el éc.	4WD	1998	89	121	12.12-	*
2.0 Hybrid 4WD (GG2W) (Y61)		Gasol./el éc.	4WD	1998	89	121	12.12-	*
2.0 Hybrid 4WD (GG2W) (4B11)		Gasol./el éc.	4WD	1998	139	189	12.12-	*
2.0 Hybrid 4WD (GG2W) (S61)		Gasol./el éc.	4WD	1998	139	189	12.12-	*
2.0 Hybrid 4WD (GG2W) (Y61)		Gasol./el éc.	4WD	1998	139	189	12.12-	*
2.0 Hybrid 4WD (GG2W) (4B11)		Gasol./el éc.	4WD	1998	147	200	01.14-12.21	*
2.0 Hybrid 4WD (GG2W) (S61)		Gasol./el éc.	4WD	1998	147	200	01.14-12.21	*
2.0 Hybrid 4WD (GG2W) (Y61)		Gasol./el éc.	4WD	1998	147	200	01.14-12.21	*
2.2 DI-D (GF6W) (4N14)		Diesel	FWD	2268	110	150	08.12-12.22	*
2.2 DI-D 4WD (GF6W) (4N14)		Diesel	4WD	2268	110	150	08.12-12.22	*
PAJERO II / MONTERO / PAJERO SFX / SHOGUN (V3_W, V2_W, V4_W, V5_W) 12.90-05.01					Closed SUV (Executive SUV-J Segment)			
3.0 4WD (6G72 (SOHC 24V))		Gasolina	4WD	2972	130	177	11.97-04.00	*
PAJERO SPORT / G-WAGON / MONTERO SPORT / CHALLENGER (K7_, K9_) 07.96-					Closed SUV (Executive SUV-J Segment)			
2.4		Gasolina	FWD	2351	82	112	10.01-08.06	*
2.4		Gasolina	FWD	2351	87	118	09.99-09.01	*
3.0 V6 4WD (K96W) (6G72 (SOHC 24V))		Gasolina	4WD	2972	123	167	03.03-	*
3.0 V6 (K96W) (6G72 (DOHC 24V))		Gasolina	4WD	2972	125	170	06.00-	*
3.0 V6 (K96W) (6G72 (SOHC 24V))		Gasolina	4WD	2972	125	170	06.00-	*
3.0 4WD (6G72 (SOHC 24V))		Gasolina	4WD	2972	129	175	09.96-12.01	*
3.0 V6 (K96W) (6G72 (SOHC 24V))		Gasolina	4WD	2972	130	177	11.98-10.00	*
3.8 GDi		Gasolina	FWD	3828	171	233	11.02-	*
2.5 TDiC (K94W) (4D56-T)		Diesel	4WD	2477	73	99	11.98-	*
2.5 TD (K94W, K74T) (4D56-T)		Diesel	4WD	2477	85	115	07.02-	*
2.5 TD (K94W) (4D56-T)		Diesel	4WD	2477	98	133	08.03-	*
2.5 D 15"		Diesel	RWD	2495	73	99	07.96-	*
2.5 D 15"		Diesel	RWD	2495	82	112	07.96-	*
2.8 TDi (K77T) (4M40-T)		Diesel	4WD	2835	92	125	11.98-10.03	*

LISTA DE APLICACIONES - BUYERS GUIDE

3.2 TDi		Diesel	RWD	3200	121	165	11.98-	*
PAJERO SPORT / SHOGUN SPORT (K90) 12.99-01.08					[CAMBIADO]:Furgón (LCVs-N1 Segment)			
3.0 V6 (6G72 (SOHC 24V))		Gasolina	4WD	2972	125	170	12.99-01.08	*
2.5 TD (4D56-T)		Diesel	4WD	2477	85	115	12.99-01.08	*
SPACCE RUNNER / RVR II (N6_W, N7_W) 11.97-01.03					MPV (Mini MPV-M1 Segment)			
2.0 (N63W) (4G63 (SOHC 16V))		Gasolina	FWD	1997	98	133	05.00-08.02	*
2.0 (N63W) (4G63 (SOHC 16V))		Gasolina	FWD	1997	100	136	08.99-08.02	*
2.4 GDI (N64W) (4G64 (GDI))		Gasolina	FWD	2351	108	147	08.99-08.02	*
2.4 GDI (N64W) (4G64 (GDI))		Gasolina	FWD	2351	110	150	08.99-01.03	*
SPACE WAGON III / NIMBUS (N9_W, N8_W) 07.98-12.04					MPV (Compact MPV-M1 Segment)			
2.0 (N83W) (4G63 (SOHC 16V))		Gasolina	FWD	1997	80	109	12.98-06.02	*
2.0 (4G63 (SOHC 16V))		Gasolina	FWD	1997	98	133	10.98-12.04	*
2.4 GDI (N84W) (4G64 (GDI))		Gasolina	FWD	2351	108	147	09.00-12.04	*
2.4 GDI 4WD (N94W) (4G64 (GDI))		Gasolina	4WD	2351	108	147	09.00-12.04	*
2.4 GDI (N84W) (4G64 (GDI))		Gasolina	FWD	2351	110	150	10.98-12.04	*
2.4 GDI 4WD (N94W) (4G64 (GDI))		Gasolina	4WD	2351	110	150	10.98-12.04	*
3.0 GDi		Gasolina	FWD	2972	158	215	05.00-05.03	*
2.0 GDI		Diesel	RWD	1995	79	108	07.98-	*
MITSUBISHI (BBDC)								
OUTLANDER (CU_W) 01.04-					[CAMBIADO]:Fastback (Compact SUV-J Segment)			
2.4		Gasolina	FWD	2350	99	133	07.06-	*
MITSUBISHI(BJC)								
OUTLANDER 01.04-01.07					[CAMBIADO]:Fastback (Compact SUV-J Segment)			
2.4		Gasolina	FWD	2350	99	133	01.04-03.06	*
2.4		Gasolina	FWD	2350	99	133	01.04-03.06	*
PAJERO SPORT 01.03-02.06					Closed SUV (Compact SUV-J Segment)			
2.4		Gasolina	FWD	2350	94	126	01.03-02.06	*
3.0 A las 4 ruedas (K96W) (6G72)		Gasolina	4WD	2972	123	167	01.03-02.06	*
PEUGEOT								
4007 (VU_, VV_) 02.07-03.13					Furgoneta/SUV (Compact SUV-J Segment)			
HDi 155 (VU4HNN, VV4HK8)		Diesel	4WD	2179	115	156	02.07-03.13	*
4007 (VU_, VV_) 02.07-					SUV (Compact SUV-J Segment)			
2.0 (4B11)		Gasolina	FWD	1998	108	147	11.10-03.13	*
2.0 4x4 (4B11)		Gasolina	4WD	1998	108	147	11.10-03.13	*
2.4 16V (SFY (4B12-MMC))		Gasolina	4WD	2360	125	170	02.07-03.13	*
2.4 16V (SFZ (4B12-MMC))		Gasolina	4WD	2360	125	170	02.07-03.13	*
2.0 HDi 140		Diesel	RWD	1995	98	134	02.07-	*
2.2 HDi (4HK (DW12ME5))		Diesel	4WD	2179	115	156	02.07-03.13	*
2.2 HDi (4HN (DW12MTED4))		Diesel	4WD	2179	115	156	02.07-03.13	*