

# LISTA DE APLICACIONES - BUYERS GUIDE

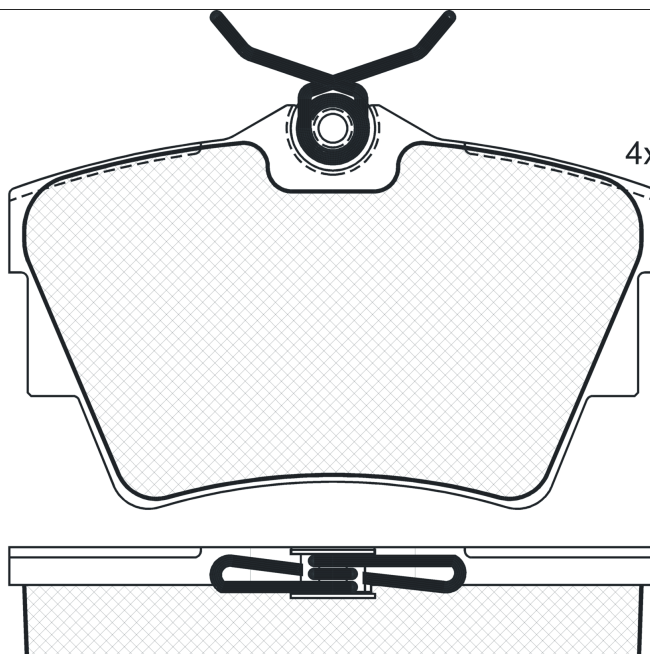
## RB1351-700



Qty: 944

Weight: 1.199

O.E.M.	MAKE
16 05 199	OPEL
16 05 217	OPEL
44 06 070 91R	RENAULT
44 06 073 37R	RENAULT
44 14 029	OPEL
44 14 520	OPEL
44 233 33	OPEL
44060-00Q2E	NISSAN
44060-00QAF	NISSAN
6 000 620 052	FIAT
77 01 050 918	RENAULT
77 01 054 772	NISSAN
86 60 004 446	RENAULT
86 71 016 185	RENAULT
91 992 62	VAUXHALL
93 173 646	VAUXHALL
93 192 389	VAUXHALL
95 518 305	OPEL
95 599 224	OPEL
95528432	VAUXHALL
D4060-00QAF-VA	NISSAN



## RB1351-700

E 9 90R-01110/469



Lucas - Girling

94.9x57.4x16

**WVA**

23980

**FMSI**

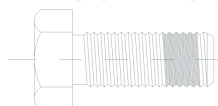
D808-7681

D808-7685

D808-8843

Sin Filas

## 141351-700



4x

1-690042



Trac.	CC	Kw	CV
-------	----	----	----



Front / Rear

### FIAT

					[CAMBIADO]:Furgón/Break (LCVs-N1 Segment)				
<b>TALENTO II (296_) 06.16-</b>									
1.6 D		Diesel	FWD	1598	66	90	06.16-	*	
1.6 D		Diesel	FWD	1598	70	95	06.16-	*	
1.6 D		Diesel	FWD	1598	85	115	06.16-	*	
1.6 D		Diesel	FWD	1598	89	121	06.16-	*	
1.6 D		Diesel	FWD	1598	92	125	06.16-	*	
1.6 D		Diesel	FWD	1598	107	145	06.16-	*	
<b>TALENTO II (296_) 06.16-</b>					[CAMBIADO]:Furgón (LCVs-N1 Segment)				
1.6 D		Diesel	FWD	1598	66	90	06.16-	*	
1.6 D (R9M 413)		Diesel	FWD	1598	70	95	06.16-	*	
1.6 D (R9M 408)		Diesel	FWD	1598	85	115	06.16-	*	
1.6 D (R9M 413)		Diesel	FWD	1598	89	121	06.16-	*	
1.6 D (R9M 452)		Diesel	FWD	1598	92	125	06.16-	*	
1.6 D (R9M 452)		Diesel	FWD	1598	107	145	06.16-	*	
2.0 EcoJet (M9R 710)		Diesel	FWD	1997	88	120	07.19-	*	
2.0 EcoJet (M9R 710)		Diesel	FWD	1997	107	145	07.19-	*	
2.0 EcoJet (M9R 710)		Diesel	FWD	1997	125	170	07.19-	*	
<b>TALENTO II (296_) 06.16-</b>					Bus (Minibus-M2-Segment)				
1.6 D (R9M 413)		Diesel	FWD	1598	70	95	06.16-	*	
1.6 D		Diesel	FWD	1598	85	116	06.16-	*	
1.6 D		Diesel	FWD	1598	88	120	06.16-	*	
1.6 D		Diesel	FWD	1598	89	121	05.18-	*	
1.6 D (R9M 452)		Diesel	FWD	1598	92	125	06.16-	*	

# LISTA DE APLICACIONES - BUYERS GUIDE

1.6 D		Diesel	FWD	1598	103	140	06.16-	*	
1.6 D (R9M 452)		Diesel	FWD	1598	107	145	06.16-	*	
2.0 EcoJet (M9R 710)		Diesel	FWD	1997	88	120	07.19-	*	
2.0 EcoJet (M9R 710)		Diesel	FWD	1997	107	145	07.19-	*	
<b>TALENTO II (296_) 06.16-</b>					<b>Caja/Chasis (LCVs-N1 Segment)</b>				
1.6 D		Diesel	FWD	1598	88	120	06.16-	*	
1.6 D (R9M 413)		Diesel	FWD	1598	89	121	06.16-	*	
1.6 D (R9M 452)		Diesel	FWD	1598	92	125	06.16-	*	
1.6 D (R9M 452)		Diesel	FWD	1598	107	145	06.16-	*	
2.0 EcoJet (M9R 710)		Diesel	FWD	1997	107	145	07.19-	*	
2.0 EcoJet (M9R 710)		Diesel	FWD	1997	125	170	07.19-	*	
<b>MITSUBISHI</b>									
<b>EXPRESS IV (SN) 02.20-</b>					<b>[CAMBIADO]:Furgón (LCVs-N1 Segment)</b>				
1.6		Gasolina	FWD	1598	103	140	02.20-	*	
2.0		Gasolina	FWD	1997	125	170	02.20-	*	
<b>NISSAN</b>									
<b>(X82) 11.21-</b>					<b>Bus ()</b>				
2.0 dCi 110		Diesel	FWD	1997	81	110	11.21-	*	
2.0 dCi 150		Diesel	FWD	1997	110	150	11.21-	*	
2.0 dCi 170		Diesel	FWD	1997	125	170	11.21-	*	
<b>INTERSTAR (X70) 04.02-</b>					<b>[CAMBIADO]:Furgón (LCVs-N1 Segment)</b>				
dCi 80 (F9Q 772)		Diesel	FWD	1870	60	82	04.02-08.06	*	
dCi 80 (F9Q 774)		Diesel	FWD	1870	60	82	04.02-08.06	*	
dCi 90 (G9T 722)		Diesel	FWD	2188	66	90	07.02-	*	
dCi 100 (G9U 720)		Diesel	FWD	2463	73	99	11.03-03.06	*	
dCi 100 (G9U 754)		Diesel	FWD	2463	73	99	11.03-03.06	*	
dCi 100 (G9U 720)		Diesel	FWD	2463	74	101	04.06-	*	
dCi 100 (G9U 754)		Diesel	FWD	2463	74	101	04.06-	*	
dCi 115 (G9U 720)		Diesel	FWD	2463	84	115	04.02-	*	
dCi 115 (G9U 724)		Diesel	FWD	2463	84	115	04.02-	*	
dCi 115 (G9U 750)		Diesel	FWD	2463	84	115	04.02-	*	
dCi 115 (G9U 754)		Diesel	FWD	2463	84	115	04.02-	*	
dCi 120 (G9U 650)		Diesel	FWD	2463	88	120	09.06-	*	
dCi 150 (G9U 632)		Diesel	FWD	2463	107	145	09.06-	*	
dCi 140 (ZD30)		Diesel	FWD	2953	100	136	11.03-	*	
<b>INTERSTAR (X70) 04.02-</b>					<b>Bus (Minibus-M2-Segment)</b>				
dCi 80 (F9Q 772)		Diesel	FWD	1870	60	82	04.02-08.06	*	
dCi 80 (F9Q 774)		Diesel	FWD	1870	60	82	04.02-08.06	*	
dCi 90 (G9T 722)		Diesel	FWD	2188	66	90	07.02-08.06	*	
dCi 100 (G9U 720)		Diesel	FWD	2463	73	99	11.03-03.06	*	
dCi 100 (G9U 754)		Diesel	FWD	2463	73	99	11.03-03.06	*	
dCi 100 (G9U 650)		Diesel	FWD	2463	74	101	04.06-03.11	*	
dCi 115 (G9U 724)		Diesel	FWD	2463	84	115	04.02-08.06	*	
dCi 115 (G9U 750)		Diesel	FWD	2463	84	115	04.02-08.06	*	
dCi 115 (G9U 754)		Diesel	FWD	2463	84	115	04.02-08.06	*	
dCi 120 (G9U 650)		Diesel	FWD	2463	88	120	09.06-03.11	*	
dCi 150 (G9U 632)		Diesel	FWD	2463	107	145	09.06-03.11	*	
dCi 140 (ZD30)		Diesel	FWD	2953	100	136	11.03-	*	

# LISTA DE APLICACIONES - BUYERS GUIDE

<b>INTERSTAR (X70) 08.03-</b>					<b>Caja/Chasis (LCVs-N1 Segment)</b>			
dCi 100 (G9U 720)		Diesel	FWD	2463	73	99	02.04-	*
dCi 100 (G9U 754)		Diesel	FWD	2463	73	99	02.04-	*
dCi 115 (G9U 720)		Diesel	FWD	2463	84	115	08.03-	*
dCi 115 (G9U 724)		Diesel	FWD	2463	84	115	08.03-	*
dCi 115 (G9U 750)		Diesel	FWD	2463	84	115	08.03-	*
dCi 115 (G9U 754)		Diesel	FWD	2463	84	115	08.03-	*
dCi 120 (G9U 650)		Diesel	FWD	2463	88	120	08.06-	*
dCi 150 (G9U 632)		Diesel	FWD	2463	107	145	08.06-	*
dCi 140 (ZD30)		Diesel	FWD	2953	100	136	11.03-	*
<b>NV300 (X82) 09.16-</b>					<b>[CAMBIADO]:Furgón (LCVs-N1 Segment)</b>			
1.6 dci 95 (R9M 413)		Diesel	FWD	1598	70	95	09.16-	*
1.6 dci 95 (R9M 415)		Diesel	FWD	1598	70	95	09.16-	*
1.6 dci 120 (R9M 413)		Diesel	FWD	1598	89	121	09.16-	*
1.6 dci 125 (R9M 452)		Diesel	FWD	1598	92	125	09.16-	*
1.6 dci 145 (R9M 452)		Diesel	FWD	1598	107	146	09.16-	*
2.0 dCi 110		Diesel	FWD	1997	81	110	05.21-	*
2.0 dCi 120 (M9R 710)		Diesel	FWD	1997	88	120	07.19-	*
2.0 dCi 145 (M9R 710)		Diesel	FWD	1997	107	145	07.19-	*
2.0 dCi 150		Diesel	FWD	1997	110	150	05.21-	*
2.0 dCi 170 (M9R 710)		Diesel	FWD	1997	125	170	07.19-	*
<b>NV300 (X82) 09.16-</b>					<b>Bus (Minibus-M2-Segment)</b>			
1.6 dci 95 (R9M 413)		Diesel	FWD	1598	70	95	09.16-	*
1.6 dci 120 (R9M 413)		Diesel	FWD	1598	89	121	09.16-	*
1.6 dci 125 (R9M 452)		Diesel	FWD	1598	92	125	09.16-	*
1.6 dci 145 (R9M 452)		Diesel	FWD	1598	107	145	09.16-	*
2.0 dCi 110		Diesel	FWD	1997	81	110	05.21-	*
2.0 dCi 120 (M9R 710)		Diesel	FWD	1997	88	120	07.19-	*
2.0 dCi 145 (M9R 710)		Diesel	FWD	1997	107	145	07.19-	*
2.0 dCi 150		Diesel	FWD	1997	110	150	05.21-	*
2.0 dCi 170 (M9R 710)		Diesel	FWD	1997	125	170	07.19-	*
<b>NV300 (X82) 09.16-</b>					<b>Caja/Chasis (LCVs-N1 Segment)</b>			
1.6 dci 125 (R9M 452)		Diesel	FWD	1598	92	125	09.16-	*
1.6 dci 145 (R9M 452)		Diesel	FWD	1598	107	146	09.16-	*
2.0 dCi 145 (M9R 710)		Diesel	FWD	1997	107	145	07.19-	*
2.0 dCi 170 (M9R 710)		Diesel	FWD	1997	125	170	07.19-	*
<b>PRIMASTAR II (X83) 09.02-</b>					<b>[CAMBIADO]:Furgón (LCVs-N1 Segment)</b>			
2.0 (F4R 820)		Gasolina	FWD	1998	86	117	04.06-	*
2.0 (F4R 720)		Gasolina	FWD	1998	88	120	02.03-	*
1.9 dCi 80 (F9Q 762)		Diesel	FWD	1870	60	82	09.02-	*
1.9 dCi 100 (F9Q 760)		Diesel	FWD	1870	74	100	09.02-	*
2.0 dCi 90 (M9R 630)		Diesel	FWD	1995	66	90	09.06-	*
2.0 dCi 90 (M9R 692)		Diesel	FWD	1995	66	90	09.06-	*
2.0 dCi 90 (M9R 782)		Diesel	FWD	1995	66	90	09.06-	*
2.0 dCi 90 (M9R 786)		Diesel	FWD	1995	66	90	09.06-	*
2.0 dCi 115 (M9R 630)		Diesel	FWD	1995	84	114	09.06-	*
2.0 dCi 115 (M9R 692)		Diesel	FWD	1995	84	114	09.06-	*
2.0 dCi 115 (M9R 780)		Diesel	FWD	1995	84	114	09.06-	*
2.0 dCi 115 (M9R 786)		Diesel	FWD	1995	84	114	09.06-	*

# LISTA DE APLICACIONES - BUYERS GUIDE

2.5 dCi 115 (G9U 630)		Diesel	FWD	2463	84	114	09.08-	*	
2.5 dCi 140 (G9U 730)		Diesel	FWD	2463	99	135	07.03-	*	
2.5 dCi 150 (G9U 632)		Diesel	FWD	2463	107	145	09.06-	*	
<b>PRIMASTAR II (X83) 03.01-</b>					<b>Bus (Minibus-M2-Segment)</b>				
2.0 (F4R 820)		Gasolina	FWD	1998	86	117	04.06-	*	
2.0 (F4R 720)		Gasolina	FWD	1998	88	120	03.01-08.06	*	
2.0 (F4R 722)		Gasolina	FWD	1998	88	120	03.01-08.06	*	
dCi 80 (F9Q 762)		Diesel	FWD	1870	60	80	03.01-	*	
dCi 100 (F9Q 760)		Diesel	FWD	1870	74	101	03.01-	*	
dCi 90 (M9R 630)		Diesel	FWD	1995	66	90	09.06-	*	
dCi 90 (M9R 692)		Diesel	FWD	1995	66	90	09.06-	*	
dCi 90 (M9R 782)		Diesel	FWD	1995	66	90	09.06-	*	
dCi 90 (M9R 786)		Diesel	FWD	1995	66	90	09.06-	*	
dCi 120 (M9R 630)		Diesel	FWD	1995	84	114	09.06-	*	
dCi 120 (M9R 692)		Diesel	FWD	1995	84	114	09.06-	*	
dCi 120 (M9R 780)		Diesel	FWD	1995	84	114	09.06-	*	
dCi 120 (M9R 786)		Diesel	FWD	1995	84	114	09.06-	*	
dCi 115 (G9U 630)		Diesel	FWD	2463	84	114	09.08-	*	
dCi 140 (G9U 730)		Diesel	FWD	2463	99	135	07.03-	*	
dCi 150 (G9U 632)		Diesel	FWD	2463	107	145	09.06-	*	
<b>PRIMASTAR III (X82) 11.21-</b>					<b>[CAMBIADO]:Furgón (LCVs-N1 Segment)</b>				
2.0 dCi 110		Diesel	FWD	1997	81	110	11.21-	*	
2.0 dCi 130		Diesel	FWD	1997	96	131	11.21-	*	
2.0 dCi 150		Diesel	FWD	1997	110	150	11.21-	*	
2.0 dCi 170		Diesel	FWD	1997	125	170	11.21-	*	
<b>PRIMASTER (X83) 07.02-08.06</b>					<b>Caja/Chasis (LCVs-N1 Segment)</b>				
2.0 (F4R 720)		Gasolina	FWD	1998	88	120	07.02-08.06	*	
1.9 dCi 80		Diesel	FWD	1870	60	82	07.02-08.06	*	
1.9 dCi 100 (F9Q 760)		Diesel	FWD	1870	74	101	07.02-08.06	*	
2.5 dCi 140		Diesel	FWD	2463	99	135	07.02-08.06	*	
2.5 dCi 150 (G9U 630)		Diesel	FWD	2463	107	146	04.06-	*	
<b>OPEL</b>									
<b>VIVARO (A) (X83) 08.01-</b>					<b>[CAMBIADO]:Furgón (LCVs-N1 Segment)</b>				
2.0 ECOTEC (F7) (F4R 820)		Gasolina	FWD	1998	86	117	08.06-07.14	*	
2.0 16V (F7) (F4R 720)		Gasolina	FWD	1998	88	120	08.01-07.06	*	
1.9 DI (F7) (F9Q 762)		Diesel	FWD	1870	60	80	08.01-07.06	*	
1.9 DTI (F7) (F9Q 760)		Diesel	FWD	1870	74	101	08.01-07.14	*	
2.0 CDTI (F7) (M9R 630)		Diesel	FWD	1995	66	90	08.06-07.14	*	
2.0 CDTI (F7) (M9R 780)		Diesel	FWD	1995	66	90	08.06-07.14	*	
2.0 CDTI (F7) (M9R 782)		Diesel	FWD	1995	66	90	08.06-07.14	*	
2.0 CDTI (F7) (M9R 786)		Diesel	FWD	1995	66	90	08.06-07.14	*	
2.0 CDTI (F7) (M9R 630)		Diesel	FWD	1995	84	114	08.06-07.14	*	
2.0 CDTI (F7) (M9R 692)		Diesel	FWD	1995	84	114	08.06-07.14	*	
2.0 CDTI (F7) (M9R 780)		Diesel	FWD	1995	84	114	08.06-07.14	*	
2.0 CDTI (F7) (M9R 784)		Diesel	FWD	1995	84	114	08.06-07.14	*	
2.0 CDTI (F7) (M9R 786)		Diesel	FWD	1995	84	114	08.06-07.14	*	
2.0 CDTI (F7) (M9R 788)		Diesel	FWD	1995	84	114	08.06-07.14	*	
2.5 DTI (F7) (G9U 730)		Diesel	FWD	2463	99	135	04.03-03.10	*	
2.5 CDTI (F7) (G9MB6)		Diesel	FWD	2463	107	146	08.06-07.14	*	

# LISTA DE APLICACIONES - BUYERS GUIDE

2.5 CDTI (F7) (G9U 630)		Diesel	FWD	2463	107	146	08.06-07.14	*
2.5 CDTI (F7) (G9U 630)		Diesel	FWD	2464	84	114	08.06-03.10	*
<b>VIVARO (A) (X83) 08.01-</b>				<b>Bus (Minibus-M2-Segment)</b>				
2.0 ECOTEC (F7, A07, J7) (F4R 820)		Gasolina	FWD	1998	86	117	08.06-07.14	*
2.0 16V (F7, J7, A07) (F4R 720)		Gasolina	FWD	1998	88	120	08.01-07.06	*
1.9 DI (F7, J7, A07) (F9Q 762)		Diesel	FWD	1870	60	80	08.01-07.06	*
1.9 DTI (F7, J7, A07) (F9Q 760)		Diesel	FWD	1870	74	101	08.01-07.14	*
2.0 CDTI (F7, J7, A07) (M9R 780)		Diesel	FWD	1995	66	90	08.06-07.14	*
2.0 CDTI (F7, J7, A07) (M9R 782)		Diesel	FWD	1995	66	90	08.06-07.14	*
2.0 CDTI (F7, J7, A07) (M9R 786)		Diesel	FWD	1995	66	90	08.06-07.14	*
2.0 CDTI (F7, J7, A07) (M9R 630)		Diesel	FWD	1995	84	114	08.06-07.14	*
2.0 CDTI (F7, J7, A07) (M9R 692)		Diesel	FWD	1995	84	114	08.06-07.14	*
2.0 CDTI (F7, J7, A07) (M9R 780)		Diesel	FWD	1995	84	114	08.06-07.14	*
2.0 CDTI (F7, J7, A07) (M9R 784)		Diesel	FWD	1995	84	114	08.06-07.14	*
2.0 CDTI (F7, J7, A07) (M9R 786)		Diesel	FWD	1995	84	114	08.06-07.14	*
2.0 CDTI (F7, J7, A07) (M9R 788)		Diesel	FWD	1995	84	114	08.06-07.14	*
2.5 DTI (F7, J7, A07) (G9U 730)		Diesel	FWD	2463	99	135	04.03-03.10	*
2.5 CDTI (F7, J7, A07) (G9U 630)		Diesel	FWD	2463	107	146	08.06-07.14	*
2.5 CDTI (F7, J7, A07) (G9U 630)		Diesel	FWD	2464	84	114	08.06-03.10	*
<b>VIVARO (A) (X83) 02.01-07.14</b>				<b>Caja/Chasis (LCVs-N1 Segment)</b>				
2.0 ECOTEC (F4R 820)		Gasolina	FWD	1998	86	117	08.06-07.14	*
2.0 16V (F4R 720)		Gasolina	FWD	1998	88	120	01.02-07.06	*
1.9 Di (F9Q 762)		Diesel	FWD	1870	60	82	08.01-07.14	*
1.9 DTI (F9Q 760)		Diesel	FWD	1870	74	101	02.01-12.10	*
2.0 CDTi (M9R 630)		Diesel	FWD	1995	66	90	01.06-07.14	*
2.0 CDTi (M9R 780)		Diesel	FWD	1995	66	90	01.06-07.14	*
2.0 CDTi (M9R 782)		Diesel	FWD	1995	66	90	01.06-07.14	*
2.0 CDTi (M9R 786)		Diesel	FWD	1995	66	90	01.06-07.14	*
2.0 CDTi (M9R 630)		Diesel	FWD	1995	84	114	08.06-07.14	*
2.0 CDTi (M9R 780)		Diesel	FWD	1995	84	114	08.06-07.14	*
2.5 DTi (G9U 730)		Diesel	FWD	2463	99	135	04.03-03.10	*
2.5 CDTI (G9U 630)		Diesel	FWD	2463	107	146	08.06-07.14	*
2.5 CDTI (G9U 630)		Diesel	FWD	2464	84	114	08.06-03.10	*
<b>VIVARO II (B) (X82) 06.14-</b>				<b>[CAMBIADO]:Furgón (LCVs-N1 Segment)</b>				
1.6 CDTI (05) (R9M 408)		Diesel	FWD	1598	66	90	06.14-12.16	*
1.6 CDTI (05) (R9M 413)		Diesel	FWD	1598	70	95	03.16-12.19	*
1.6 CDTI (05) (R9M 408)		Diesel	FWD	1598	85	116	06.14-12.16	*
1.6 CDTI (05) (R9M 450)		Diesel	FWD	1598	85	116	06.14-12.16	*
1.6 CDTI (05) (R9M 450)		Diesel	FWD	1598	88	120	06.14-12.19	*
1.6 CDTI (05) (R9M 413)		Diesel	FWD	1598	89	121	03.16-12.19	*
1.6 CDTI (05) (R9M 452)		Diesel	FWD	1598	92	125	03.16-12.19	*
1.6 CDTI (05) (R9M 450)		Diesel	FWD	1598	103	140	06.14-12.16	*
1.6 CDTI (05) (R9M 452)		Diesel	FWD	1598	107	146	03.16-12.19	*
<b>VIVARO II (B) (X82) 06.14-</b>				<b>Bus (Minibus-M2-Segment)</b>				
1.6 CDTI (06) (R9M 408)		Diesel	FWD	1598	66	90	06.14-12.16	*
1.6 CDTI (06) (R9M 413)		Diesel	FWD	1598	70	95	04.15-12.19	*
1.6 CDTI (06) (R9M 408)		Diesel	FWD	1598	85	116	06.14-12.16	*
1.6 CDTI (06) (R9M 450)		Diesel	FWD	1598	85	116	06.14-12.16	*
1.6 CDTI (06) (R9M 450)		Diesel	FWD	1598	88	120	06.14-12.19	*
1.6 CDTI (06)		Diesel	FWD	1598	89	121	01.19-12.19	*

# LISTA DE APLICACIONES - BUYERS GUIDE

1.6 CDTI (06) (R9M 452)		Diesel	FWD	1598	92	125	04.15-12.19	*	
1.6 CDTI (06) (R9M 450)		Diesel	FWD	1598	103	140	06.14-12.16	*	
1.6 CDTI (06) (R9M 452)		Diesel	FWD	1598	107	145	04.15-12.19	*	
<b>VIVARO II (B) (X82) 06.14-</b>					<b>Caja/Chasis (LCVs-N1 Segment)</b>				
1.6 CDTI (03)		Diesel	FWD	1598	66	90	06.14-	*	
1.6 CDTI (03) (R9M 408)		Diesel	FWD	1598	85	116	06.14-12.16	*	
1.6 CDTI (03) (R9M 450)		Diesel	FWD	1598	85	116	06.14-12.16	*	
1.6 CDTI (03) (R9M 450)		Diesel	FWD	1598	88	120	08.15-12.19	*	
1.6 CDTI (03) (R9M 452)		Diesel	FWD	1598	92	125	11.16-12.19	*	
1.6 CDTI (03) (R9M 450)		Diesel	FWD	1598	103	140	08.15-12.16	*	
1.6 CDTI (03) (R9M 452)		Diesel	FWD	1598	107	146	11.16-12.19	*	
<b>RENAULT</b>									
<b>TRAFIC II (FL) 03.01-</b>					<b>[CAMBIADO]:Furgón (LCVs-N1 Segment)</b>				
2.0 16V (FL0L, FL0N, FL0W, FL02) (F4R 820)		Gasolina	FWD	1998	86	117	08.06-	*	
2.0 (FL0A, FL0G) (F4R 720)		Gasolina	FWD	1998	88	120	03.01-	*	
2.0 (FL0A, FL0G) (F4R 722)		Gasolina	FWD	1998	88	120	03.01-	*	
1.9 dCi (FL0B) (F9Q 762)		Diesel	FWD	1870	59	80	04.01-07.03	*	
1.9 dCi 80 (FL0B) (F9Q 760)		Diesel	FWD	1870	60	82	03.01-10.06	*	
1.9 dCi 80 (FL0B) (F9Q 762)		Diesel	FWD	1870	60	82	03.01-10.06	*	
1.9 dCi 100 (FL0C, FL0K, FL0B) (F9Q 760)		Diesel	FWD	1870	74	101	03.01-10.06	*	
1.9 dCi (FL0C) (F9Q 760)		Diesel	FWD	1870	75	102	03.01-	*	
2.0 dCi 90 (FL0H, FL00, FL01, FL0M, FL0P, FL0S) (M9R 630)		Diesel	FWD	1995	66	90	08.06-	*	
2.0 dCi 90 (FL0H, FL00, FL01, FL0M, FL0P, FL0S) (M9R 780)		Diesel	FWD	1995	66	90	08.06-	*	
2.0 dCi 90 (FL0H, FL00, FL01, FL0M, FL0P, FL0S) (M9R 782)		Diesel	FWD	1995	66	90	08.06-	*	
2.0 dCi 90 (FL0H, FL00, FL01, FL0M, FL0P, FL0S) (M9R 786)		Diesel	FWD	1995	66	90	08.06-	*	
2.0 dCi 115 (FL01, FL0U, FL00, FL0H, FL0M) (M9R 692)		Diesel	FWD	1995	84	114	08.06-	*	
2.0 dCi 115 (FL01, FL0U, FL00, FL0H, FL0M) (M9R 780)		Diesel	FWD	1995	84	114	08.06-	*	
2.0 dCi 115 (FL01, FL0U, FL00, FL0H, FL0M) (M9R 782)		Diesel	FWD	1995	84	114	08.06-	*	
2.0 dCi 115 (FL01, FL0U, FL00, FL0H, FL0M) (M9R 786)		Diesel	FWD	1995	84	114	08.06-	*	
2.5 dCi (FL0R, FL0V) (G9U 630)		Diesel	FWD	2463	84	114	08.07-	*	
2.5 dCi 135 (FL0D) (G9U 730)		Diesel	FWD	2463	99	135	05.03-10.06	*	
2.5 DTi (G9U 730)		Diesel	FWD	2463	99	135	03.03-07.03	*	
2.5 dCi 145 (FL0J) (G9U 630)		Diesel	FWD	2463	107	146	08.06-	*	
<b>TRAFIC II (JL) 03.01-</b>					<b>Bus (Minibus-M2-Segment)</b>				
2.0 16V (JL02, JL0L, JL0W, JL0N) (F4R 820)		Gasolina	FWD	1998	86	117	08.06-	*	
2.0 (JL0A, JL0G) (F4R 720)		Gasolina	FWD	1998	88	120	03.01-	*	
2.0 (JL0A, JL0G) (F4R 722)		Gasolina	FWD	1998	88	120	03.01-	*	
1.9 dCi (JL0B) (F9Q 762)		Diesel	FWD	1870	59	80	04.01-07.03	*	
1.9 dCi 80 (JL0B) (F9Q 762)		Diesel	FWD	1870	60	82	03.01-10.06	*	
1.9 dCi 100 (JL0C, JL0K) (F9Q 760)		Diesel	FWD	1870	74	101	03.01-10.06	*	
2.0 dCi 90 (JL00, JL01, JL0H, JL0M, JL0P, JL0S) (M9R 630)		Diesel	FWD	1995	66	90	08.06-	*	
2.0 dCi 90 (JL00, JL01, JL0H, JL0M, JL0P, JL0S) (M9R 780)		Diesel	FWD	1995	66	90	08.06-	*	
2.0 dCi 90 (JL00, JL01, JL0H, JL0M, JL0P, JL0S) (M9R 782)		Diesel	FWD	1995	66	90	08.06-	*	
2.0 dCi 90 (JL00, JL01, JL0H, JL0M, JL0P, JL0S) (M9R 786)		Diesel	FWD	1995	66	90	08.06-	*	

# LISTA DE APLICACIONES - BUYERS GUIDE

2.0 dCi 115 (JL00, JL01, JL0H, JL0M, JL0U) (M9R 692)	Diesel	FWD	1995	84	114	08.06-	*
2.0 dCi 115 (JL00, JL01, JL0H, JL0M, JL0U) (M9R 780)	Diesel	FWD	1995	84	114	08.06-	*
2.0 dCi 115 (JL00, JL01, JL0H, JL0M, JL0U) (M9R 782)	Diesel	FWD	1995	84	114	08.06-	*
2.0 dCi 115 (JL00, JL01, JL0H, JL0M, JL0U) (M9R 786)	Diesel	FWD	1995	84	114	08.06-	*
2.5 dCi 115 (JL0R, JL0V) (G9U 630)	Diesel	FWD	2463	84	114	02.08-	*
2.5 dCi 135 (JL0D) (G9U 730)	Diesel	FWD	2463	99	135	05.03-10.06	*
2.5 DTi	Diesel	RWD	2463	99	135	03.03-07.03	*
2.5 dCi 145 (JL0J) (G9U 630)	Diesel	FWD	2463	107	146	08.06-	*
<b>TRAFIC II (EL) 03.01-</b>	<b>Caja/Chasis (LCVs-N1 Segment)</b>						
2.0 16V (EL0L) (F4R 820)	Gasolina	FWD	1998	86	117	08.06-	*
2.0 (EL0A) (F4R 720)	Gasolina	FWD	1998	88	120	03.01-10.06	*
1.9 dCi (EL0B) (F9Q 762)	Diesel	FWD	1870	59	80	09.01-07.03	*
1.9 dCi 80 (EL0B) (F9Q 762)	Diesel	FWD	1870	60	82	03.01-10.06	*
1.9 dCi 100 (EL0C) (F9Q 760)	Diesel	FWD	1870	74	101	03.01-10.06	*
2.0 dCi 90 (EL0H, EL00, EL01, EL0M, EL0P, EL0S) (M9R 780)	Diesel	FWD	1995	66	90	08.06-	*
2.0 dCi 90 (EL0H, EL00, EL01, EL0M, EL0P, EL0S) (M9R 782)	Diesel	FWD	1995	66	90	08.06-	*
2.0 dCi 115 (EL0H, EL00, EL01, EL0M) (M9R 692)	Diesel	FWD	1995	84	114	08.06-	*
2.0 dCi 115 (EL0H, EL00, EL01, EL0M) (M9R 780)	Diesel	FWD	1995	84	114	08.06-	*
2.0 dCi 115 (EL0H, EL00, EL01, EL0M) (M9R 782)	Diesel	FWD	1995	84	114	08.06-	*
2.0 dCi 115 (EL0H, EL00, EL01, EL0M) (M9R 786)	Diesel	FWD	1995	84	114	08.06-	*
2.5 dCi (EL0R, EL0V) (G9U 630)	Diesel	FWD	2463	84	114	08.07-	*
2.5 dCi 135 (EL0D) (G9U 730)	Diesel	FWD	2463	99	135	03.01-10.06	*
2.5 dCi 145 (EL0J) (G9U 630)	Diesel	FWD	2463	107	146	08.06-	*
<b>TRAFIC III (FG_) 05.14-</b>	<b>[CAMBIADO]:Furgón (LCVs-N1 Segment)</b>						
E-Tech Electric (FGJA)	Eléctrico	FWD		90	122	05.23-	*
1.6 dCi 90 (FGME) (R9M 408)	Diesel	FWD	1598	66	90	05.14-	*
1.6 dCi 95 (FGMJ, FGMR) (R9M 413)	Diesel	FWD	1598	70	95	07.15-	*
1.6 dCi 95 (FGMJ, FGMR) (R9M 415)	Diesel	FWD	1598	70	95	07.15-	*
1.6 dCi 115 (FGMD) (R9M 408)	Diesel	FWD	1598	85	116	05.14-	*
1.6 dCi 120 (FGMB, FGMC) (R9M 450)	Diesel	FWD	1598	88	120	05.14-	*
1.6 dCi 120 (FGMK) (R9M 413)	Diesel	FWD	1598	89	121	07.15-	*
1.6 dCi 125 (FGMH) (R9M 452)	Diesel	FWD	1598	92	125	07.15-	*
1.6 dCi 140 (FGMA, FGMC) (R9M 450)	Diesel	FWD	1598	103	140	05.14-	*
1.6 dCi 145 (FGMG) (R9M 452)	Diesel	FWD	1598	107	145	07.15-	*
2.0 dCi 110 (FGMW)	Diesel	FWD	1997	81	110	08.21-	*
2.0 dCi 120 (FGMN) (M9R 710)	Diesel	FWD	1997	88	120	06.19-	*
2.0 dCi 130 (FGMY)	Diesel	FWD	1997	96	131	08.21-	*
2.0 dCi 145 (FGML) (M9R 710)	Diesel	FWD	1997	107	145	06.19-	*
2.0 dCi 150 (FGMU)	Diesel	FWD	1997	110	150	08.21-	*
2.0 dCi 170 (FGMM, FGMV) (M9R 710)	Diesel	FWD	1997	125	170	06.19-	*
<b>TRAFIC III (JG_) 05.14-</b>	<b>Bus (Minibus-M2-Segment)</b>						
1.6 dCi 90 (JGME) (R9M 408)	Diesel	FWD	1598	66	90	05.14-	*
1.6 dCi 95 (JGMR, JGMJ) (R9M 413)	Diesel	FWD	1598	70	95	07.15-	*
1.6 dCi 95 (JGMR, JGMJ) (R9M 415)	Diesel	FWD	1598	70	95	07.15-	*
1.6 dCi 115 (JGMD) (R9M 408)	Diesel	FWD	1598	85	116	05.14-	*
1.6 dCi 120 (JGMB) (R9M 450)	Diesel	FWD	1598	88	120	05.14-	*
1.6 dCi 120 (JGMS) (R9M 415)	Diesel	FWD	1598	89	121	01.19-	*

# LISTA DE APLICACIONES - BUYERS GUIDE

1.6 dCi 125 (JGMH) (R9M 452)		Diesel	FWD	1598	92	125	07.15-	*
1.6 dCi 140 (JGMA) (R9M 450)		Diesel	FWD	1598	103	140	05.14-	*
1.6 dCi 145 (JGMG) (R9M 452)		Diesel	FWD	1598	107	145	07.15-	*
2.0 dCi 110 (JGMW)		Diesel	FWD	1997	81	110	05.21-	*
2.0 dCi 120 (JGMN) (M9R 710)		Diesel	FWD	1997	88	120	06.19-	*
2.0 dCi 145 (JGML) (M9R 710)		Diesel	FWD	1997	107	145	06.19-	*
2.0 dCi 150 (JGMU)		Diesel	FWD	1997	110	150	05.21-	*
2.0 dCi 170 (JGMM, JGMV) (M9R 710)		Diesel	FWD	1997	125	170	06.19-	*
<b>TRAFIC III (EG_) 05.14-</b>				<b>Caja/Chasis (LCVs-N1 Segment)</b>				
E-Tech Electric (EGJA)		Eléctrico	FWD		90	122	05.23-	*
1.6 dCi 90		Diesel	FWD	1598	66	90	05.14-	*
1.6 dCi 120 (EGMB) (R9M 450)		Diesel	FWD	1598	88	120	06.14-	*
1.6 dCi 125 (EGMH) (R9M 452)		Diesel	FWD	1598	92	125	07.15-	*
1.6 dCi 140 (EGMA) (R9M 450)		Diesel	FWD	1598	103	140	06.14-	*
1.6 dCi 145 (EGMG) (R9M 452)		Diesel	FWD	1598	107	145	07.15-	*
2.0 dCi 145 (EGML) (M9R 710)		Diesel	FWD	1997	107	145	06.19-	*
2.0 dCi 150 (EGMU)		Diesel	FWD	1997	110	150	08.21-	*
2.0 dCi 170 (EGMM, EGMV) (M9R 710)		Diesel	FWD	1997	125	170	06.19-	*
<b>VAUXHALL</b>								
<b>VIVARO (A) (X83) 08.01-07.14</b>				<b>[CAMBIADO]:Furgón (LCVs-N1 Segment)</b>				
2.0 ECOTEC (F4R 820)		Gasolina	FWD	1998	86	117	08.06-07.14	*
2.0 16V (F4R 720)		Gasolina	FWD	1998	88	120	08.01-12.06	*
1.9 Di (F9Q 762)		Diesel	FWD	1870	59	80	08.01-12.06	*
1.9 DTI (F9Q 760)		Diesel	FWD	1870	74	101	08.01-12.06	*
2.0 CDTi (M9R 630)		Diesel	FWD	1995	66	90	01.06-07.14	*
2.0 CDTi (M9R 692)		Diesel	FWD	1995	66	90	01.06-07.14	*
2.0 CDTi (M9R 780)		Diesel	FWD	1995	66	90	01.06-07.14	*
2.0 CDTi (M9R 782)		Diesel	FWD	1995	66	90	01.06-07.14	*
2.0 CDTi (M9R 786)		Diesel	FWD	1995	66	90	01.06-07.14	*
2.0 CDTi (M9R 630)		Diesel	FWD	1995	84	114	08.06-07.14	*
2.0 CDTi (M9R 692)		Diesel	FWD	1995	84	114	08.06-07.14	*
2.0 CDTi (M9R 780)		Diesel	FWD	1995	84	114	08.06-07.14	*
2.0 CDTi (M9R 788)		Diesel	FWD	1995	84	114	08.06-07.14	*
2.5 DTi (G9U 730)		Diesel	FWD	2464	99	135	07.03-07.14	*
2.5 CDTi (G9U 630)		Diesel	FWD	2464	107	146	08.06-07.14	*
<b>VIVARO (A) (X83) 08.01-07.14</b>				<b>Bus (Minibus-M2-Segment)</b>				
2.0 ECOTEC (F4R 820)		Gasolina	FWD	1998	86	117	08.06-07.14	*
2.0 16V (F4R 720)		Gasolina	FWD	1998	88	120	08.01-12.06	*
1.9 Di (F9Q 762)		Diesel	FWD	1870	59	80	08.01-12.06	*
1.9 DTI (F9Q 760)		Diesel	FWD	1870	74	101	08.01-12.06	*
2.0 CDTi (M9R 630)		Diesel	FWD	1995	66	90	01.06-07.14	*
2.0 CDTi (M9R 780)		Diesel	FWD	1995	66	90	01.06-07.14	*
2.0 CDTi (M9R 782)		Diesel	FWD	1995	66	90	01.06-07.14	*
2.0 CDTi (M9R 786)		Diesel	FWD	1995	66	90	01.06-07.14	*
2.0 CDTi (M9R 630)		Diesel	FWD	1995	84	114	08.06-07.14	*
2.0 CDTi (M9R 780)		Diesel	FWD	1995	84	114	08.06-07.14	*
2.0 CDTi (M9R 784)		Diesel	FWD	1995	84	114	08.06-07.14	*
2.0 CDTi (M9R 786)		Diesel	FWD	1995	84	114	08.06-07.14	*
2.0 CDTi (M9R 788)		Diesel	FWD	1995	84	114	08.06-07.14	*
2.5 DTi (G9U 730)		Diesel	FWD	2464	99	135	07.03-07.14	*

# LISTA DE APLICACIONES - BUYERS GUIDE

2.5 CDTi (G9U 630)	Diesel	FWD	2464	107	146	01.06-07.14	*
<b>VIVARO (A) (X83) 04.03-07.14</b>				<b>Caja/Chasis (LCVs-N1 Segment)</b>			
2.0 ECOTEC (F4R 820)	Gasolina	FWD	1998	86	117	08.06-07.14	*
2.0 16V (F4R 720)	Gasolina	FWD	1998	88	120	04.03-07.14	*
2.0 CDTi (M9R 630)	Diesel	FWD	1995	66	90	01.06-07.14	*
2.0 CDTi (M9R 780)	Diesel	FWD	1995	66	90	01.06-07.14	*
2.0 CDTi (M9R 782)	Diesel	FWD	1995	66	90	01.06-07.14	*
2.0 CDTi (M9R 786)	Diesel	FWD	1995	66	90	01.06-07.14	*
2.0 CDTi (M9R 630)	Diesel	FWD	1995	84	114	08.06-07.14	*
2.0 CDTi (M9R 780)	Diesel	FWD	1995	84	114	08.06-07.14	*
2.0 CDTi (M9R 788)	Diesel	FWD	1995	84	114	08.06-07.14	*
2.5 CDTi (G9U 730)	Diesel	FWD	2464	99	135	04.03-07.06	*
2.5 CDTi (G9U 630)	Diesel	FWD	2464	107	146	08.06-07.14	*
2.5 CDTi	Diesel	FWD	2464	107	146	08.06-07.14	*
<b>VIVARO II (B) (X82) 05.14-</b>				<b>[CAMBIADO]:Furgón (LCVs-N1 Segment)</b>			
1.6 CDTi (R9M 408)	Diesel	FWD	1598	66	90	05.14-	*
1.6 CDTi (R9M 413)	Diesel	FWD	1598	70	95	08.16-	*
1.6 CDTi (R9M 408)	Diesel	FWD	1598	85	115	05.14-	*
1.6 CDTi (R9M 450)	Diesel	FWD	1598	88	120	05.14-	*
1.6 CDTi	Diesel	FWD	1598	89	121	09.16-	*
1.6 CDTi	Diesel	FWD	1598	89	121	08.16-	*
1.6 CDTi (R9M 450)	Diesel	FWD	1598	92	125	08.16-	*
1.6 CDTi (R9M 450)	Diesel	FWD	1598	103	140	05.14-	*
1.6 CDTi (R9M 450)	Diesel	FWD	1598	107	145	08.16-	*
<b>VIVARO II (B) (X82) 05.14-</b>				<b>Bus (Minibus-M2-Segment)</b>			
1.6 CDTi (R9M 408)	Diesel	FWD	1598	66	90	05.14-	*
1.6 CDTi (R9M 413)	Diesel	FWD	1598	70	95	08.16-	*
1.6 CDTi (R9M 408)	Diesel	FWD	1598	85	115	05.14-	*
1.6 CDTi (R9M 450)	Diesel	FWD	1598	88	120	05.14-	*
1.6 CDTi	Diesel	FWD	1598	89	121	09.16-	*
1.6 CDTi	Diesel	FWD	1598	89	121	01.19-	*
1.6 CDTi (R9M 450)	Diesel	FWD	1598	92	125	08.16-	*
1.6 CDTi (R9M 450)	Diesel	FWD	1598	103	140	06.14-	*
1.6 CDTi	Diesel	FWD	1598	107	145	08.16-	*
1.6 CDTi	Diesel	FWD	1598	107	145	08.16-	*
<b>VIVARO II (B) (X82) 05.14-</b>				<b>Caja/Chasis (LCVs-N1 Segment)</b>			
1.6 CDTi (R9M 408)	Diesel	FWD	1598	85	115	05.14-	*
1.6 CDTi (R9M 450)	Diesel	FWD	1598	88	120	05.14-	*
1.6 CDTi (R9M 450)	Diesel	FWD	1598	92	125	08.16-	*
1.6 CDTi (R9M 450)	Diesel	FWD	1598	103	140	05.14-	*
1.6 CDTi (R9M 450)	Diesel	FWD	1598	107	145	08.16-	*